

Flex System x280 X6, x480 X6, and x880 X6 Compute
Node
Types 7903 and 4259



Installation and Service Guide

Flex System x280 X6, x480 X6, and x880 X6 Compute
Node
Types 7903 and 4259



Installation and Service Guide

Note

Before using this information and the product it supports, read the general information in “Notices” on page 777, the *Warranty Information* document, and the *IBM® Safety Information* and the *Environmental Notices and User Guide* documents on the *IBM Documentation CD*.

Third Edition (April 2015)

© Copyright Lenovo 2015.

Portions © Copyright IBM Corporation 2014.

LIMITED AND RESTRICTED RIGHTS NOTICE: If data or software is delivered pursuant a General Services Administration “GSA” contract, use, reproduction, or disclosure is subject to restrictions set forth in Contract No. GS-35F-05925.

Contents

Safety	v
Guidelines for trained service technicians	vi
Inspecting for unsafe conditions	vi
Guidelines for servicing electrical equipment	vii
Safety statements	viii

Chapter 1. Introduction **1**

Related documentation	2
The Lenovo Documentation CD	3
Hardware and software requirements	3
Using the Documentation Browser	3
Notices and statements in this document	4
Features and specifications.	5
What your compute node offers	7
Reliability, availability, and serviceability features.	10
Major components of the compute node.	10
Power, controls, and indicators	11
Compute node controls, connectors, and LEDs.	11
Console breakout cable	15
Turning on the compute node	15
Turning off the compute node	16
System-board layouts	17
System-board connectors	17
System-board jumpers.	18
System-board LEDs.	19
System-board switches.	19
Working with scalable partitions	22
FlexNode partitioning	23
Single partition considerations	23

Chapter 2. Configuring **25**

Partitioning a multi-node complex.	25
Updating firmware and device drivers	25
Recovering a UEFI image.	27
Configuring the compute node	28
Using the Setup utility.	29
Nx boot failure	35
Setting the boot protocol to boot from legacy devices using the Setup utility	35
Using the Boot Selection Menu program.	36
Updating the Universally Unique Identifier and DMI/SMBIOS data	37
Enabling Features on Demand RAID software.	40
Configuring a RAID array	40
Using the LSI Logic Configuration Utility	40
Features on Demand	41
Setting up the LAN-on-motherboard (LOM) feature	42

Chapter 3. Installing the operating system. **45**

Using the ServerGuide Setup and Installation CD	46
ServerGuide features	47
Typical operating-system installation	47

Installing the operating system without using ServerGuide	48
Using Lenovo ServerGuide Scripting Toolkit	48

Chapter 4. Accessing the IMM2 **49**

Accessing the IMM2 remotely	49
Viewing the network access tag.	49
Logging on to the web interface	50
IMM2 action descriptions.	51
Accessing the IMM2 using the LAN over USB interface	55
Potential conflicts with the LAN over USB interface	56
Resolving conflicts with the IMM2 LAN over USB interface.	56
Configuring the LAN over USB interface	56

Chapter 5. Parts listing, Types 7903 and 4259 **59**

Chapter 6. Troubleshooting **65**

Service bulletins	65
Diagnostic tools	65
Light path diagnostics.	65
IMM event log	68
Viewing event logs through the Setup utility	68
Viewing event logs without restarting the compute node	69
Lenovo Dynamic System Analysis Preboot diagnostic program.	70
DSA diagnostic test results	72
Event messages.	179
IMM messages	179
UEFI diagnostic codes	647
DSA messages	667
Troubleshooting by symptom	669
Compute node start problems	669
Connectivity problems	670
Hard disk drive problems	686
Intermittent Connectivity Problems	687
Intermittent problems	687
Memory problems.	688
Observable problems	689
Optional device and replaceable component installation problems	690
Performance problems	691
Power-on problems	692
Software	693
System Scaling Issues.	694
Undetermined problems.	695
Solving undetermined problems	696
Collecting service data	697

Chapter 7. Installing, removing, and replacing compute node components . 699

Installing an optional device	699
Installation guidelines	699
System reliability guidelines	700
Handling static-sensitive devices	700
Returning a device or component	700
Updating the compute node configuration.	700
Removing a compute node from a chassis	701
Installing a compute node in a chassis	702
Removing and replacing Tier 1 customer replaceable units (CRUs)	704
Removing the adapter-retention assembly	704
Installing the adapter-retention assembly	705
Removing the bezel	707
Installing the bezel	707
Removing the center partition	708
Installing the center partition	709
Removing the chassis bulkhead	710
Installing the chassis bulkhead	711
Removing the CMOS battery	712
Installing the CMOS battery	713
Removing the compute node cover	715
Installing the compute node cover	716
Removing a DIMM	717
Installing a DIMM.	719
Removing a fabric connector	728
Installing a fabric connector	729
Removing a flash DIMM	730
Installing a flash DIMM	730
Removing the front handle	735
Installing the front handles	736
Removing the hard disk drive cage and backplane assembly	737
Installing the hard disk drive cage and backplane assembly	738
Removing a hot-swap hard disk drive	739
Installing a hot-swap hard disk drive	740
Removing an I/O expansion adapter	741
Installing an I/O expansion adapter	742
Removing the light path diagnostics panel	743
Installing the light path diagnostics panel	744
Removing an SMP expansion connector	745
Installing an SMP expansion connector	747
Removing a solid state drive	750
Installing a solid state drive	751
Removing the solid state drive cage and backplane	752
Installing the solid state drive cage and backplane	753
Removing the solid state drive mounting sleeve	755
Installing the solid state drive mounting sleeve	755
Removing the USB flash drive.	756

Installing the USB flash drive	757
Removing and replacing FRUs (trained service technician only)	758
Removing a microprocessor and heat sink	758
Installing a microprocessor and heat sink	762
Thermal grease	766
Removing the system-board components for base-assembly replacement	767
Installing the system-board components for base-assembly replacement	769

Appendix. Getting help and technical assistance. 773

Before you call	773
Using the documentation	774
Getting help and information from the World Wide Web	774
How to send DSA data	774
Creating a personalized support web page	775
Software service and support	775
Hardware service and support	775
Taiwan product service	775

Notices 777

Trademarks	778
Important notes	778
Recycling information	779
Particulate contamination	779
Telecommunication regulatory statement	780
Electronic emission notices	780
Federal Communications Commission (FCC) statement.	780
Industry Canada Class A emission compliance statement.	780
Avis de conformité à la réglementation d'Industrie Canada	781
Australia and New Zealand Class A statement	781
European Union EMC Directive conformance statement.	781
Germany Class A statement	781
Japan VCCI Class A statement.	782
Japan Electronics and Information Technology Industries Association (JEITA) statement	782
Korea Communications Commission (KCC) statement.	783
Russia Electromagnetic Interference (EMI) Class A statement	783
People's Republic of China Class A electronic emission statement	783
Taiwan Class A compliance statement	783

Index 785

Safety

Before installing this product, read the Safety Information.

قبل تركيب هذا المنتج، يجب قراءة الملاحظات الأمنية

Antes de instalar este produto, leia as Informações de Segurança.

在安装本产品之前，请仔细阅读 **Safety Information**
(安全信息)。

安裝本產品之前，請先閱讀「安全資訊」。

Prije instalacije ovog produkta obavezno pročitajte Sigurnosne Upute.

Před instalací tohoto produktu si přečtěte příručku bezpečnostních instrukcí.

Læs sikkerhedsforskrifterne, før du installerer dette produkt.

Lees voordat u dit product installeert eerst de veiligheidsvoorschriften.

Ennen kuin asennat tämän tuotteen, lue turvaohjeet kohdasta Safety Information.

Avant d'installer ce produit, lisez les consignes de sécurité.

Vor der Installation dieses Produkts die Sicherheitshinweise lesen.

Πριν εγκαταστήσετε το προϊόν αυτό, διαβάστε τις πληροφορίες ασφάλειας
(safety information).

לפני שתתקינו מוצר זה, קראו את הוראות הבטיחות.

A termék telepítése előtt olvassa el a Biztonsági előírásokat!

Prima di installare questo prodotto, leggere le Informazioni sulla Sicurezza.

製品の設置の前に、安全情報をお読みください。

본 제품을 설치하기 전에 안전 정보를 읽으십시오.

Пред да се инсталира овој продукт, прочитајте информацијата за безбедност.

تعليم
تعليم
تعليم
تعليم
تعليم
تعليم
تعليم
تعليم
تعليم
تعليم

Les sikkerhetsinformasjonen (Safety Information) før du installerer dette produktet.

Przed zainstalowaniem tego produktu, należy zapoznać się z książką "Informacje dotyczące bezpieczeństwa" (Safety Information).

Antes de instalar este produto, leia as Informações sobre Segurança.

Перед установкой продукта прочтите инструкции по технике безопасности.

Pred inštaláciou tohto zariadenia si pečítajte Bezpečnostné predpisy.

Pred namestitvijo tega proizvoda preberite Varnostne informacije.

Antes de instalar este producto, lea la información de seguridad.

Läs säkerhetsinformationen innan du installerar den här produkten.

ཐོན་ཁུངས་འདི་བདེ་སློབ་མ་བྱས་གོང་། རྒྱ་ལྷོ་ཡི་གཟུང་བ་
བྱ་འདྲ་མིན་ཡོད་པའི་འོད་སྤེར་བལྟ་དགོས།

Bu ürünü kurmadan önce güvenlik bilgilerini okuyun.

مەزكۇر مەھسۇلاتنى ئورنىتىشتىن بۇرۇن بىخەتەرلىك ئۇچۇرلىرىنى ئوقۇپ چىقىڭ.

Youq mwngz yungh canjbinj neix gaxgonq, itding aeu doeg aen
canjbinj soengq cungj vahgangj ancien siusik.

Guidelines for trained service technicians

This section contains information for trained service technicians.

Inspecting for unsafe conditions

Use this information to help you identify potential unsafe conditions in a device that you are working on.

Each device, as it was designed and manufactured, has required safety items to protect users and service technicians from injury. The information in this section addresses only those items. Use good judgment to identify potential unsafe conditions that might be caused by unsupported alterations or attachment of unsupported features or optional devices that are not addressed in this section. If

you identify an unsafe condition, you must determine how serious the hazard is and whether you must correct the problem before you work on the product.

Consider the following conditions and the safety hazards that they present:

- Electrical hazards, especially primary power. Primary voltage on the frame can cause serious or fatal electrical shock.
- Explosive hazards, such as a damaged CRT face or a bulging capacitor.
- Mechanical hazards, such as loose or missing hardware.

To inspect the product for potential unsafe conditions, complete the following steps:

1. Make sure that the power is off and the power cords are disconnected.
2. Make sure that the exterior cover is not damaged, loose, or broken, and observe any sharp edges.
3. Check the power cords:
 - Make sure that the third-wire ground connector is in good condition. Use a meter to measure third-wire ground continuity for 0.1 ohm or less between the external ground pin and the frame ground.
 - Make sure that the power cords are the correct type.
 - Make sure that the insulation is not frayed or worn.
4. Remove the cover.
5. Check for any obvious unsupported alterations. Use good judgment as to the safety of any unsupported alterations.
6. Check inside the system for any obvious unsafe conditions, such as metal filings, contamination, water or other liquid, or signs of fire or smoke damage.
7. Check for worn, frayed, or pinched cables.
8. Make sure that the power-supply cover fasteners (screws or rivets) have not been removed or tampered with.

Guidelines for servicing electrical equipment

Observe these guidelines when you service electrical equipment.

- Check the area for electrical hazards such as moist floors, nongrounded power extension cords, and missing safety grounds.
- Use only approved tools and test equipment. Some hand tools have handles that are covered with a soft material that does not provide insulation from live electrical current.
- Regularly inspect and maintain your electrical hand tools for safe operational condition. Do not use worn or broken tools or testers.
- Do not touch the reflective surface of a dental mirror to a live electrical circuit. The surface is conductive and can cause personal injury or equipment damage if it touches a live electrical circuit.
- Some rubber floor mats contain small conductive fibers to decrease electrostatic discharge. Do not use this type of mat to protect yourself from electrical shock.
- Do not work alone under hazardous conditions or near equipment that has hazardous voltages.
- Locate the emergency power-off (EPO) switch, disconnecting switch, or electrical outlet so that you can turn off the power quickly in the event of an electrical accident.
- Disconnect all power before you perform a mechanical inspection, work near power supplies, or remove or install main units.

- Before you work on the equipment, disconnect the power cord. If you cannot disconnect the power cord, have the customer power-off the wall box that supplies power to the equipment and lock the wall box in the off position.
- Never assume that power has been disconnected from a circuit. Check it to make sure that it has been disconnected.
- If you have to work on equipment that has exposed electrical circuits, observe the following precautions:
 - Make sure that another person who is familiar with the power-off controls is near you and is available to turn off the power if necessary.
 - When you work with powered-on electrical equipment, use only one hand. Keep the other hand in your pocket or behind your back to avoid creating a complete circuit that could cause an electrical shock.
 - When you use a tester, set the controls correctly and use the approved probe leads and accessories for that tester.
 - Stand on a suitable rubber mat to insulate you from grounds such as metal floor strips and equipment frames.
- Use extreme care when you measure high voltages.
- To ensure proper grounding of components such as power supplies, pumps, blowers, fans, and motor generators, do not service these components outside of their normal operating locations.
- If an electrical accident occurs, use caution, turn off the power, and send another person to get medical aid.

Safety statements

These statements provide the caution and danger information that is used in this documentation.

Important:

Each caution and danger statement in this documentation is labeled with a number. This number is used to cross reference an English-language caution or danger statement with translated versions of the caution or danger statement in the *Safety Information* document.

For example, if a caution statement is labeled Statement 1, translations for that caution statement are in the *Safety Information* document under Statement 1.

Be sure to read all caution and danger statements in this documentation before you perform the procedures. Read any additional safety information that comes with your system or optional device before you install the device.

Statement 1



DANGER

Electrical current from power, telephone, and communication cables is hazardous.

To avoid a shock hazard:

- Do not connect or disconnect any cables or perform installation, maintenance, or reconfiguration of this product during an electrical storm.
- Connect all power cords to a properly wired and grounded electrical outlet.
- Connect to properly wired outlets any equipment that will be attached to this product.
- When possible, use one hand only to connect or disconnect signal cables.
- Never turn on any equipment when there is evidence of fire, water, or structural damage.
- Disconnect the attached power cords, telecommunications systems, networks, and modems before you open the device covers, unless instructed otherwise in the installation and configuration procedures.
- Connect and disconnect cables as described in the following table when installing, moving, or opening covers on this product or attached devices.

To Connect:

1. Turn everything OFF.
2. First, attach all cables to devices.
3. Attach signal cables to connectors.
4. Attach power cords to outlet.
5. Turn device ON.

To Disconnect:

1. Turn everything OFF.
2. First, remove power cords from outlet.
3. Remove signal cables from connectors.
4. Remove all cables from devices.

Statement 2



CAUTION:

When replacing the lithium battery, use only Part Number 33F8354 or an equivalent type battery recommended by the manufacturer. If your system has a module containing a lithium battery, replace it only with the same module type made by the same manufacturer. The battery contains lithium and can explode if not properly used, handled, or disposed of.

Do not:

- Throw or immerse into water
- Heat to more than 100°C (212°F)
- Repair or disassemble

Dispose of the battery as required by local ordinances or regulations.

Statement 12



CAUTION:

The following label indicates a hot surface nearby.



Statement 21



CAUTION:

Hazardous energy is present when the blade is connected to the power source. Always replace the blade cover before installing the blade.

UL regulatory information

This device is for use only with Listed Flex System Enterprise Chassis.

Chapter 1. Introduction

The IBM Flex System x280 X6, x480 X6, and x880 X6 Compute Node Types 7903 and 4259 is a high-availability, scalable compute node that is optimized to support the next-generation microprocessor technology and is ideally suited for medium and large businesses.

The Flex System x280 X6, x480 X6, and x880 X6 Compute Node Types 7903 and 4259 is supported in the Flex System Enterprise Chassis only.

The Flex System x280 X6, x480 X6, and x880 X6 Compute Node Types 7903 and 4259 is functionally identical except for the scaling capabilities of the microprocessor family.

Table 1. Compute node scaling capabilities

Compute node	Scaling capability	Microprocessor family
Flex System x280 X6	One-node configurations only	2800
Flex System x480 X6	One-node and two-node configurations	4800
Flex System x880 X6	One-node, two-node, and four-node configurations	8800

The scaling capabilities of the Flex System x280 X6, x480 X6, and x880 X6 Compute Node Types 7903 and 4259 allows you to form a *scalable partition*. Combining the compute nodes in a scalable partition provides for FlexNode partitioning. With FlexNode partitioning, you can toggle between a single partition or multiple partitions without having to modify the physical setup of the compute nodes. For more information about scalable partitions and FlexNode partitioning, see “Working with scalable partitions” on page 22.

This documentation provides the following information about setting up and troubleshooting the compute node:

- Starting and configuring the compute node
- Installing the operating system
- Diagnosing problems
- Installing, removing, and replacing components

Packaged with the compute node are software CDs that help you configure hardware, install device drivers, and install the operating system.

To download the latest firmware and device drivers, go to <http://www.ibm.com/support/fixcentral> and select **Flex System** and **Flex System x280 X6, x480 X6, and x880 X6**.

The compute node comes with a limited warranty. For information about the terms of the warranty and getting service and assistance, see the *Warranty Information* document for your compute node. This document is available on the *Documentation* CD.

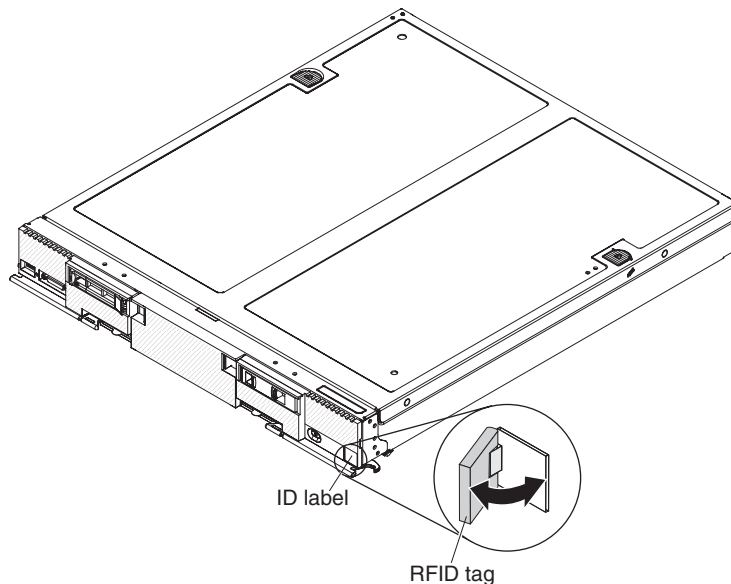
You can obtain up-to-date information about the compute node at <http://www.ibm.com/systems>.

The compute node might have features that are not described in the documentation that comes with the compute node. The documentation might be updated occasionally to include information about those features. Technical updates might also be available to provide additional information that is not included in the compute node documentation. To obtain the most up-to-date documentation for this product, go to <http://pic.dhe.ibm.com/infocenter/flexsys/information/index.jsp>.

You can subscribe to information updates that are specific to your compute node at <http://www.ibm.com/support/mynotifications>.

The model number and serial number are on the ID label on the bezel on the front of the compute node, and on a label on the bottom of the compute node that is visible when the compute node is not in the Flex System chassis. If the compute node comes with an RFID tag, the RFID tag covers the ID label on the bezel on the front of the compute node but you can open the RFID tag to see the ID label behind it.

Note: The illustrations in this document might differ slightly from your hardware.



Related documentation

Use this information to identify and locate related compute node documentation.

This *Installation and Service Guide* contains general information about the compute node, including how to install supported optional devices and how to configure the compute node. It also contains information to help you solve problems yourself and instructions for removing and installing components, and it contains information for service technicians. Documents that are in Portable Document Format (PDF) are on the documentation CD that comes with your product. The following documentation is also available.

- *Safety Information*

This document is in PDF. It contains translated caution and danger statements. Each caution and danger statement that appears in the documentation has a number that you can use to locate the corresponding statement in your language in the *Safety Information* document.

- *Lenovo Warranty Information*

This printed document contains the warranty terms and a pointer to the Lenovo Statement of Limited Warranty.

- *Environmental Notices and User Guide*

This document is in PDF. It contains translated environmental notices.

- *License Agreement for Machine Code*

This document is in PDF. It provides translated versions of the Lenovo License Agreement for Machine code for your compute node.

- *Licenses and Attributions Document*

This document is in PDF. It provides information about the open-source notices.

In addition to the documentation in this library, be sure to review the *Installation and Service Guide* for your Flex System chassis for information to help you prepare for system installation and configuration.

To check for updated documentation, go to <http://www.ibm.com/supportportal>.

You can also find documentation that is related to Flex System products at <http://pic.dhe.ibm.com/infocenter/flexsys/information/index.jsp>.

The Lenovo Documentation CD

The *Documentation* CD contains documentation for the compute node in Portable Document Format (PDF). It includes a documentation browser to help you find information quickly.

You can run the *Documentation* CD on any computer that meets the hardware and software requirements.

Hardware and software requirements

Use this information to determine the minimum hardware and software requirements.

The Lenovo *Documentation* CD requires the following minimum hardware and software:

- Microsoft Windows
- 100 MHz microprocessor
- 32 MB of RAM
- Adobe Acrobat Reader 3.0 (or later) or xpdf, which comes with Linux operating systems

Using the Documentation Browser

Use this information to start the Documentation Browser.

Use the Documentation Browser to browse the contents of the CD, read brief descriptions of the documents, and view documents, using Adobe Acrobat Reader or xpdf. The Documentation Browser automatically detects the regional settings in

use in your system and displays the documents in the language for that region (if available). If a document is not available in the language for that region, the English-language version is displayed.

Use one of the following procedures to start the Documentation Browser:

- If Autostart is enabled, insert the CD into the CD or DVD drive. The Documentation Browser starts automatically.
- If Autostart is disabled or is not enabled for all users, use one of the following procedures:
 - If you are using a Windows operating system, insert the CD into the CD or DVD drive and click **Start → Run**. In the **Open** field, type
`e:\win32.bat`

where *e* is the drive letter of the CD or DVD drive, and click **OK**.

- If you are using Red Hat Linux, insert the CD into the CD or DVD drive; then, run the following command from the `/mnt/cdrom` directory:
`sh runlinux.sh`

Select the compute node from the **Product** menu. The **Available Topics** list displays all the documents for the compute node. Some documents might be in folders. A plus sign (+) indicates each folder or document that has additional documents under it. Click the plus sign to display the additional documents.

When you select a document, a description of the document is displayed under **Topic Description**. To select more than one document, press and hold the Ctrl key while you select the documents. Click **View Book** to view the selected document or documents in Acrobat Reader or xpdf. If you selected more than one document, all the selected documents are opened in Acrobat Reader or xpdf.

To search all the documents, type a word or word string in the **Search** field and click **Search**. The documents in which the word or word string appears are listed in order of the most occurrences. Click a document to view it. Press Ctrl+F to use the Acrobat search function, or press Alt+F to use the xpdf search function within the document.

Click **Help** for detailed information about using the Documentation Browser.

Notices and statements in this document

Use this information to understand the most common documentation notices and statements and how they are used.

The caution and danger statements in this document are also in the multilingual *Safety Information* document, which is on the *Documentation* CD. Each statement is numbered for reference to the corresponding statement in the *Safety Information* document.

The following notices and statements are used in this document:

- **Note:** These notices provide important tips, guidance, or advice.
- **Important:** These notices provide information or advice that might help you avoid inconvenient or problem situations.
- **Attention:** These notices indicate possible damage to programs, devices, or data. An attention notice is placed just before the instruction or situation in which damage might occur.

- **Caution:** These statements indicate situations that can be potentially hazardous to you. A caution statement is placed just before the description of a potentially hazardous procedure step or situation.
- **Danger:** These statements indicate situations that can be potentially lethal or hazardous to you. A danger statement is placed just before the description of a potentially lethal or hazardous procedure step or situation.

Features and specifications

Use this information to view specific information about the compute node, such as compute node hardware features and the dimensions of the compute node.

Notes:

1. Power, cooling, and chassis systems management are provided by the Flex System chassis.
2. The operating system in the compute node must provide USB support for the compute node to recognize and use USB media drives and devices.

The following is a summary of the features and specifications of the Flex System x280 X6, x480 X6, and x880 X6 compute node.

Microprocessor:

Two multi-core Intel Xeon microprocessors.

Note: Use the Setup utility to determine the type and speed of the microprocessors in the compute node.

Integrated functions:

- Renesas SH7757 (IMM2) baseboard management controller (BMC) with integrated VGA controller
- (Models with LAN-on-motherboard (LOM) only) Two LOM fabric connectors and one Emulex Skyhawk Quad-Port 10 Gigabit Ethernet controller
- Support for up to two internal USB ports
- One external USB port
- One LSI 3004 SAS controller with support for RAID level-0 or RAID level-1
- Light path diagnostics
- Automatic server restart (ASR)
- (Models without LOM) Four I/O expansion connectors
- (Models with LOM) Support for two I/O expansion connectors
- Serial over LAN (SOL)
- Wake on LAN (WOL)
- Wake on PCI (PME) capability
- Built-in monitoring for temperature, voltage, and hard disk drives
- Advanced Configuration and Power Interface (ACPI)

Upgradeable firmware:

All firmware is field upgradeable.

Memory:

- 48 dual inline memory module (DIMM) connectors
- Type: Low-profile (LP) double-data rate (DDR3) DRAM
- Supports 4 GB, 8 GB, 16 GB, 32 GB, and 64 GB DIMMs with up to 3 TB of total memory on the system board per compute node
- Support for RDIMMs and LRDIMMs (combining is not supported)
- Vital product data (VPD)

Drives:

- Support for up to two 2.5-inch hot-swap, small form factor (SFF) Serial Attached SCSI (SAS) or Serial ATA (SATA) hard disk drives, or up to two 2.5-inch hot-swap solid state drives (SSDs)
- Optional support for up to four 1.8-inch hot-swap SSDs
- Optional RAID controller supports up to four 1.8-inch hot-swap SSDs and up to four non-hot-swap 1.8-inch SSDs

Flash DIMMs:

Supports a maximum of 16 DDR3 flash DIMMs in 200 GB or 400 GB capacities.

Scalability:

Supports scaling to form two-node or four-node complexes, providing up to eight microprocessor sockets and 192 DIMM connectors.

Predictive Failure Analysis (PFA) alerts:

- Microprocessors
- Memory
- Hard disk drives

Size:

- Height: 55.5 mm (2.19 in)
- Depth: 500 mm (19.7 in)
- Width: 435.3 mm (17.14 in)
- Maximum weight: 12.25 kg (27 lbs)

Security:

Fully compliant with NIST 800-131A. The security cryptography mode set by the managing device (CMM or Flex System Manager management node) determines the security mode in which the compute node operates.

Environment:

The Flex System x280 X6, x480 X6, and x880 X6 Compute Node Types 7903 and 4259 complies with ASHRAE class A3 specifications.

- Power on¹:
 - Temperature: 5°C - 40°C (41°F - 104°F) up to 950m (3,117ft)³
 - Humidity, non-condensing: -12°C dew point (10.4°F) and 8% - 85% relative humidity^{5,6}
 - Maximum dew point: 24°C (75°F)
 - Maximum altitude: 3048 m (10,000 ft)
 - Maximum rate of temperature change: 5°C/hr (41°F/hr)⁴
- Power off²:
 - Temperature: 5°C to 45°C (41°F - 113°F)
 - Relative humidity: 8% - 85%
 - Maximum dew point: 27°C (80.6°F)
- Storage (non-operating):
 - Temperature: 1°C to 60°C (33.8°F - 140°F)
 - Altitude: 3050 m (10,006 ft)
 - Relative humidity: 5% - 80%
 - Maximum dew point: 29°C (84.2°F)
- Shipment (non-operating)⁷:
 - Temperature: -40°C to 60°C (-40°F - 140°F)
 - Altitude: 10,700 m (35,105 ft)

- Relative humidity: 5% - 100%
- Maximum dew point: 29°C (84.2°F)⁸
- Particulate contamination

Attention: Airborne particulates and reactive gases acting alone or in combination with other environmental factors such as humidity or temperature might pose a risk to the compute node. For information about the limits for particulates and gases, see “Particulate contamination” on page 779.

1. Compute Node powered on.
2. Compute Node is removed from original shipping container and is installed but not in use, for example, during repair, maintenance, or upgrade.
3. A3 - Derate maximum allowable temperature 1°C/175 m above 950 m. At maximum altitude of 3,050m (10kft) maximum air temperature is 28°C (82°F)
4. 5°C/hr for data centers employing tape drives and 20°C/hr for data centers employing disk drives.
5. The minimum humidity level for class A3 is the higher (more moisture) of the -12 °C dew point and the 8% relative humidity. These intersect at approximately 25°C. Below this intersection (~25C), the dew point (-12 °C) represents the minimum moisture level; above the intersection, relative humidity (8%) is the minimum.
6. Moisture levels lower than 0.5°C DP, but not lower -10 °C DP or 8% relative humidity, can be accepted if appropriate control measures are implemented to limit the generation of static electricity on personnel and equipment in the data center. All personnel and mobile furnishings and equipment must be connected to ground via an appropriate static control system. The following items are considered the minimum requirements:
 - a. Conductive materials (conductive flooring, conductive footwear on all personnel who go into the datacenter; all mobile furnishings and equipment will be made of conductive or static dissipative materials).
 - b. During maintenance on any hardware, a properly functioning wrist strap must be used by any personnel who contacts IT equipment.
7. The equipment acclimation period is 1 hour per 20°C of temperature change from the shipping environment to the operating environment.
8. Condensation is acceptable, but not rain.
9. The fully configured chassis weight is based on all nodes and I/O modules being at their maximum design limit.

What your compute node offers

Your compute node offers features such as the integrated management module II, hard disk drive support, systems-management support, microprocessor technology, integrated network support, I/O expansion, large system-memory capacity, light path diagnostics, PCI Express, and power throttling.

- **Features on Demand**

If a Features on Demand feature is integrated in the compute node or in an optional device that is installed in the compute node, you can purchase an

activation key to activate the feature. For information about Features on Demand, see <http://www.ibm.com/systems/x/fod/>.

- **Flash DIMM support**

The compute node supports a maximum of 16 DDR3 flash DIMMs in 200 GB or 400 GB capacities. The flash DIMMs utilize the unpopulated DIMM slots available in the compute node and provide high performance solid state memory. The flash DIMMs can be used for storage or storage cache.

- **Flexible network support**

The compute node provides flexible network capabilities:

- **Models with embedded virtual fabric:** The integrated Emulex Skyhawk Quad-Port 10 Gigabit Ethernet controller supports connections to a 10 Mbps, 100 Mbps, or 1000 Mbps network through an Ethernet-compatible switch module in the chassis. The controller supports connections at 10 Gb. The controller also supports Wake on LAN technology. You can install up to two additional I/O expansion adapters for network support.
- **Models without embedded virtual fabric:** The compute node has connectors on the system board for optional expansion adapters for adding network communication capabilities to the compute node. You can install up to four I/O expansion adapters for network support. This provides the flexibility to install expansion adapters that support a variety of network communication technologies.

- **Hard disk drive support**

The compute node supports up to two hot-swap hard disk drives, with optional support for up to four hot-swap solid state drives (SSDs). You can implement RAID 0 or RAID 1 for the drives. An optional RAID controller supports up to four hot-swap SSDs and up to four non-hot-swap SSDs.

- **Lenovo ServerGuide Setup and Installation CD**

The *ServerGuide Setup and Installation CD*, which you can download from the web, provides programs to help you set up the compute node and install a Windows operating system. The ServerGuide program detects installed optional hardware devices and provides the correct configuration programs and device drivers. For more information, see “Using the ServerGuide Setup and Installation CD” on page 46.

- **Lenovo X-Architecture**

Lenovo X-Architecture systems combine proven, innovative designs to make your x86-processor-based compute node powerful, scalable, and reliable. For more information, see <http://www.ibm.com/systems/x/hardware/enterprise/>.

- **Integrated management module II (IMM2)**

The integrated management module II (IMM2) combines systems-management functions, video controller, the remote presence, and blue-screen capture features in a single chip. The IMM2 provides advanced systems-management control, monitoring, and alerting function. If an environmental condition exceeds a threshold or if a system component fails, the IMM2 lights LEDs to help you diagnose the problem, records the error in the IMM event log, and alerts you to the problem.

Optionally, the IMM2 also provides a virtual presence capability for remote systems management. The IMM2 provides remote systems management through industry-standard interfaces:

- Common Information Model (CIM)
- Intelligent Platform Management Interface (IPMI) version 2.0
- Simple Network Management Protocol (SNMP) version 3.0

- Web browser

For more information, see Chapter 4, “Accessing the IMM2,” on page 49.

- **Large system-memory capacity**

The compute node supports up to 3 TB of system memory. The memory controllers provide support for up to 48 industry-standard registered ECC DDR3 on low-profile (LP) DIMMs on the system board. For the most current list of supported DIMMs, see <http://www.ibm.com/systems/info/x86servers/serverproven/compat/us>.

- **Light path diagnostics**

Light path diagnostics provides light-emitting diodes (LEDs) to help you diagnose problems. For more information, see “Light path diagnostics” on page 65.

- **Microprocessor technology**

The compute node supports two multi-core Intel Xeon microprocessors. For more information about supported microprocessors, see Chapter 5, “Parts listing, Types 7903 and 4259,” on page 59.

- **PCI Express**

PCI Express is a serial interface that is used for chip-to-chip interconnect and expansion adapter interconnect. You can add optional I/O and storage devices.

- **Power throttling**

By enforcing a power policy known as power-domain oversubscription, the Flex System chassis can share the power load between two or more power supply modules to ensure sufficient power for each device in the Flex System chassis. This policy is enforced when the initial power is applied to the Flex System chassis or when a compute node is inserted into the Flex System chassis.

The following settings for this policy are available:

- Basic power management
- Power module redundancy
- Power module redundancy with compute node throttling allowed

You can configure and monitor the power environment by using the Chassis Management Module. For more information, see the Flex System Chassis Management Module: Command-Line Interface Reference Guide at http://pic.dhe.ibm.com/infocenter/flexsys/information/topic/com.ibm.acc.cmm.doc/dw1kt_cmm_cli_book.pdf.

- **Scalable partitions**

Your compute node is scalable and can be connected to multiple compute nodes so that you can share resources between compute nodes. For more information about scalable partitions, see “Working with scalable partitions” on page 22.

- **Systems-management support**

The compute node IMM2 provides a Web interface for remote systems-management support. You can use the interface to view system status, and control server management functions and IMM management settings.

The IMM2 communicates with the Flex System Chassis Management Module (CMM) and Flex System Manager management software (if installed).

- CMM is a hot-swap module that provides system-management functions for all components in an Flex System chassis. It controls a serial port for remote connection and a 1 Gbps Ethernet remote-management connection. For more information, see the Flex System Chassis Management Module:

Command-Line Interface Reference Guide at http://pic.dhe.ibm.com/infocenter/flexsys/information/topic/com.ibm.acc.cmm.doc/dw1kt_cmm_cli_book.pdf.

- Flex System Manager management software is a platform-management foundation that streamlines the way you manage physical and virtual systems in a heterogeneous environment. By using industry standards, Flex System Manager management software supports multiple operating systems and virtualization technologies. For more information, see the "Flex System Manager Software: Installation and Service Guide" at http://pic.dhe.ibm.com/infocenter/flexsys/information/topic/com.ibm.acc.8731.doc/product_page.html.

Reliability, availability, and serviceability features

Three of the most important features in compute node design are reliability, availability, and serviceability (RAS). These RAS features help to ensure the integrity of the data that is stored in the compute node, the availability of the compute node when you need it, and the ease with which you can diagnose and correct problems.

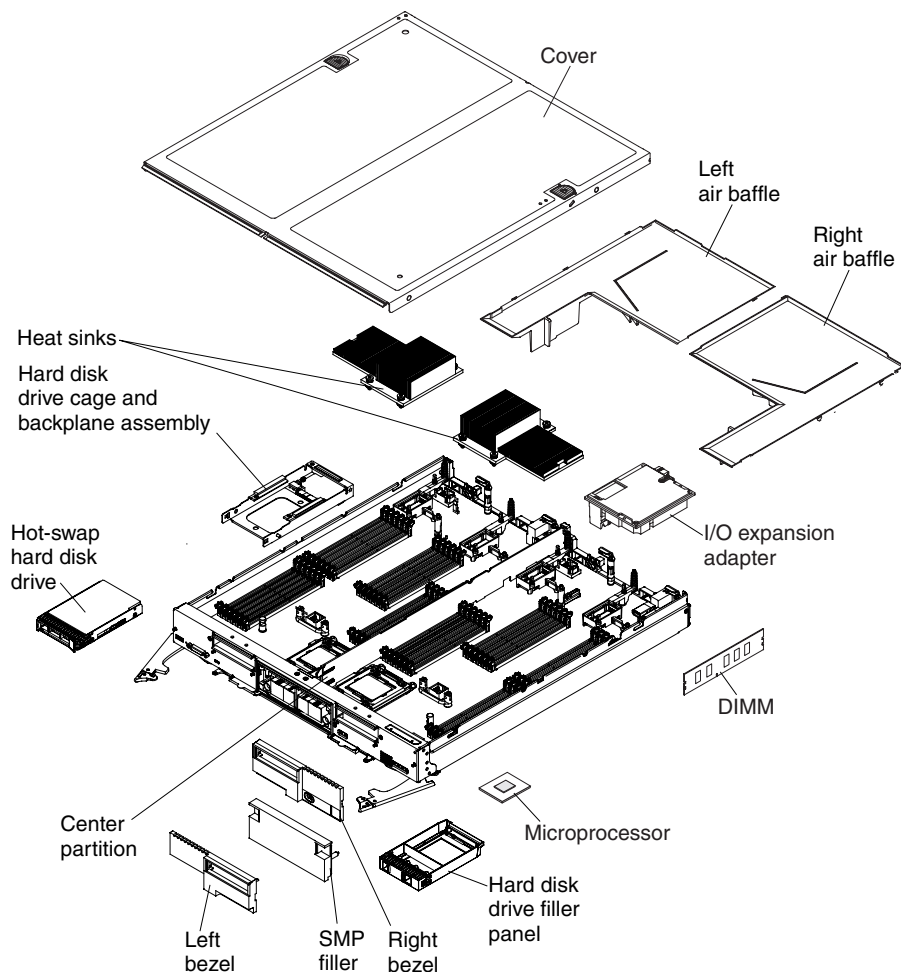
Many RAS-related hardware features for the compute node are listed in "Features and specifications" on page 5. Features provided by the compute node Setup utility, IMM2 remote chassis management, and troubleshooting tools enhance compute node reliability, availability, and serviceability. In addition, access to a customer support center available 24 hours per day, 7 days a week improves compute node availability and serviceability.¹

Major components of the compute node

Use this information to locate the major components on the compute node. The major components of the compute node include field replaceable units (FRUs), customer replaceable units (CRUs), and optional devices.

The following illustration shows the major components of the compute node.

1. Service availability varies by country. Response time varies depending on the number and nature of incoming calls.



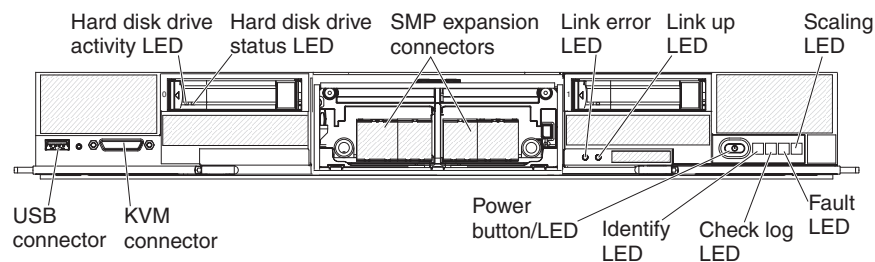
Power, controls, and indicators

Use this information to view power features, turn on and turn off the compute node, and view the functions of the controls and indicators.

Compute node controls, connectors, and LEDs

Use this information for details about the controls, connectors, and LEDs.

The following illustration identifies the buttons, connectors, and LEDs on the control panel.



Hard disk drive activity LED (green)

When this green LED is lit, it indicates that the hard disk drive is powered on. When flashing, this LED indicates that the drive is in use.

Hard disk drive status LED (yellow)

When this yellow LED is lit, it indicates that an error has occurred with the hard disk drive. The LED turns off only after the error is corrected. You can check the CMM event log to determine the source of the condition. For more information, see “Viewing event logs without restarting the compute node” on page 69.

SMP expansion connectors

Use these connectors to connect the compute node to other compute nodes to form multi-node complexes. The SMP expansion connectors come protected by a filler that you can remove. For more information, see “Installing an SMP expansion connector” on page 747.

Link error LED

When this yellow LED is lit, it indicates that a scalable link error occurred.

Link up LED

When this green LED is lit, it indicates that the compute node is connected to other compute nodes through a quick path interconnect (QPI) link.

Note: When the Link error LED is lit, indicating that a scalable partitioning error occurred, this LED is turned off.

Scaling LED

When this white LED is lit, it indicates that the compute node is part of a scalable partition. When turned off, this LED indicates that the compute node is operating independently.

Note: This LED is operational and can be lit when the compute node is installed in the chassis and is connected to power, even if the compute node is not turned on.

Fault LED

When this yellow LED is lit, it indicates that a system error has occurred in the compute node. In addition, the fault LED on the chassis system LED panel is lit. You can check the CMM event log to determine the source of the condition. For more information, see “Viewing event logs without restarting the compute node” on page 69. See also “Light path diagnostics LEDs” on page 67 for more information about the LEDs on the compute node.

The fault LED turns off only after the error is corrected.

Note: When the fault LED turns off, you should also clear the IMM event log. Use the Setup utility to clear the IMM event log.

Check log LED

When this yellow LED is lit, it indicates that a condition that causes an event to be logged in the event log has occurred. To view the IMM2 event log see “IMM event log” on page 68

The check log LED can be turned off through the CMM `led` command, the CMM web interface, or Flex System Manager management software (if installed).

- For more information about the CMM `led` command, see the "Flex System Chassis Management Module: Command-Line Interface Reference Guide" at http://pic.dhe.ibm.com/infocenter/flexsys/information/topic/com.ibm.acc.cmm.doc/cli_command_led.html.

- From the CMM web interface, select **Compute Nodes** from the **Chassis Management** menu. All fields and options are described in the CMM web interface online help. For more information, see http://pic.dhe.ibm.com/infocenter/flexsys/information/index.jsp?topic=%2Fcom.ibm.acc.cmm.doc%2Fcmm_product_page.html.
- For more information about Flex System Manager management software, see the "Flex System Manager Software: Installation and Service Guide" at http://pic.dhe.ibm.com/infocenter/flexsys/information/topic/com.ibm.acc.8731.doc/product_page.html.

Notes:

1. Alternatively, you can use the **CMM_INDICATES_ITE_ERROR_N** command to light the check log LED. See the Flex System Chassis Management Module: Command-Line Interface Reference Guide at http://pic.dhe.ibm.com/infocenter/flexsys/information/topic/com.ibm.acc.cmm.doc/dw1kt_cmm_cli_book.pdf for more information.
2. You can check the CMM event log to determine the source of the condition. For more information, see "Viewing event logs without restarting the compute node" on page 69.

Identify LED

The system administrator can remotely light this blue LED to aid in visually locating the compute node. When this LED is lit, the identify LED on the Flex System chassis is also lit. The identify LED can be lit and turned off through the CMM **led** command, the CMM web interface, or Flex System Manager management software (if installed).

When this LED is lit in a scalable partition, the identify LED on all nodes in the scalable partition are also lit.

- For more information about the CMM **led** command, see the "Flex System Chassis Management Module: Command-Line Interface Reference Guide" at http://pic.dhe.ibm.com/infocenter/flexsys/information/topic/com.ibm.acc.cmm.doc/cli_command_led.html.
- From the CMM web interface, select **Compute Nodes** from the **Chassis Management** menu. All fields and options are described in the CMM web interface online help. For more information, see http://pic.dhe.ibm.com/infocenter/flexsys/information/index.jsp?topic=%2Fcom.ibm.acc.cmm.doc%2Fcmm_product_page.html.
- For more information about Flex System Manager management software, see the "Flex System Manager Software: Installation and Service Guide" at http://pic.dhe.ibm.com/infocenter/flexsys/information/topic/com.ibm.acc.8731.doc/product_page.html.

Power button/LED

When the compute node is connected to power through the Flex System chassis, press this button to turn on or turn off the compute node.

When you press the power-control button on any compute node in a single partition (controlled by one operating system), all compute nodes in the single partition will be turned on or turned off.

Note: The power button works only if local power control is enabled for the compute node. Local power control is enabled and disabled through the CMM **power** command and the CMM web interface.

- For more information about the CMM **power** command, see the "Flex System Chassis Management Module: Command-Line Interface

Reference Guide" at http://pic.dhe.ibm.com/infocenter/flexsys/information/topic/com.ibm.acc.cmm.doc/cli_command_power.html.

- From the CMM web interface, select **Compute Nodes** from the **Chassis Management** menu. For more information, see the "Flex System Chassis Management Module: User's Guide" at http://pic.dhe.ibm.com/infocenter/flexsys/information/topic/com.ibm.acc.cmm.doc/cmm_user_guide.html. All fields and options are described in the CMM web interface online help.

After the compute node is removed from the chassis, press and hold this button to activate the system-board LEDs (light path diagnostics). See "Compute node controls, connectors, and LEDs" on page 11 for more information.

This button is also the power LED. This green LED indicates the power status of the compute node:

- **Flashing rapidly:** The LED flashes rapidly for one of the following reasons:
 - The compute node has been installed in a chassis. When you install the compute node, the LED flashes rapidly for up to 90 seconds while the integrated management module II (IMM2) in the compute node is initializing and synchronizing with the chassis management module.
 - Power permissions have not been assigned to the compute node through the Chassis Management Module.
 - The Flex System chassis does not have enough power to turn on the compute node.
 - The IMM2 in the compute node is not communicating with the Chassis Management Module.
- **Flashing slowly:** The compute node is connected to power through the Flex System chassis and is ready to be turned on.
- **Lit continuously:** The compute node is connected to power through the Flex System chassis and is turned on.

When the compute node is on, pressing this button causes an orderly shutdown of the compute node so that it can be removed safely from the chassis. This includes shutting down the operating system (if possible) and removing power from the compute node.

If an operating system is running, you might have to press the button for approximately 4 seconds to initiate the shutdown.

Attention: Pressing the button for 4 seconds forces the operating system to shut down immediately. Data loss is possible.

KVM connector

Connect the console breakout cable to this connector (see "Console breakout cable" on page 15 for more information).

Note: It is best practice to connect the console breakout cable to only one compute node at a time in each Flex System chassis.

USB connector

Connect a USB device to this connector.

Note: It is best practice to connect a USB device to the front of only one compute node at a time in each Flex System chassis.

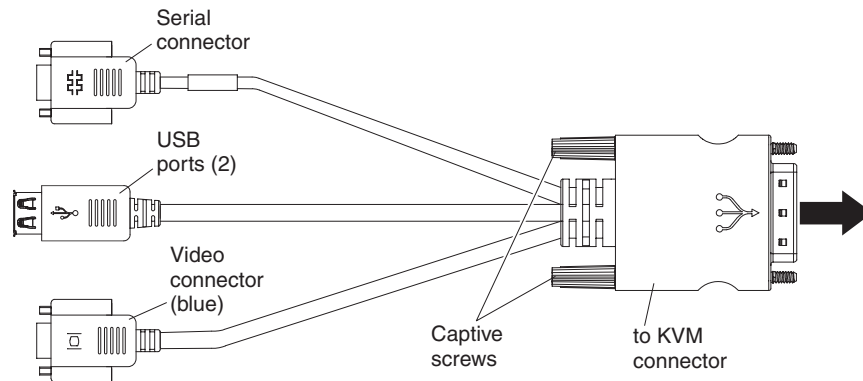
Console breakout cable

Use this information for details about the console breakout cable.

Attention: Use only the console breakout cable that comes with the compute node. Attempting to connect other console breakout cable types might damage the console breakout cable and the compute node.

Use the console breakout cable to connect external I/O devices to the compute node. The console breakout cable connects through the KVM connector (see “Compute node controls, connectors, and LEDs” on page 11). The console breakout cable has connectors for a display device (video), two USB connectors for a USB keyboard and mouse, and a serial interface connector.

The following illustration identifies the connectors and components on the console breakout cable.



Turning on the compute node

Use this information for details about turning on the compute node.

About this task

After you connect the compute node to power through the Flex System chassis, the compute node can be started in any of the following ways:

- You can press the power button on the front of the compute node (see “Compute node controls, connectors, and LEDs” on page 11) to start the compute node. The power button works only if local power control is enabled for the compute node. Local power control is enabled and disabled through the CMM **power** command and the CMM web interface.
 - For more information about the CMM **power** command, see the “Flex System Chassis Management Module: Command-Line Interface Reference Guide” at http://pic.dhe.ibm.com/infocenter/flexsys/information/topic/com.ibm.acc.cmm.doc/cli_command_power.html.
 - From the CMM web interface, select **Compute Nodes** from the Chassis Management menu. All fields and options are described in the CMM web interface online help. For more information, see the “Flex System Chassis Management Module: User’s Guide” at http://pic.dhe.ibm.com/infocenter/flexsys/information/topic/com.ibm.acc.cmm.doc/cmm_user_guide.html.

Notes:

1. Wait until the power LED on the compute node flashes slowly before you press the power button. While the IMM2 in the compute node is initializing and synchronizing with the Chassis Management Module, the power LED flashes rapidly, and the power button on the compute node does not respond. This process can take approximately 90 seconds after the compute node has been installed.
 2. While the compute node is starting, the power LED on the front of the compute node is lit and does not flash. See "Compute node controls, connectors, and LEDs" on page 11 for the power LED states.
 3. When you press the power-control button on any compute node in a single partition (controlled by one operating system), all compute nodes in the single partition will be turned on or turned off.
- If a power failure occurs, the Flex System chassis and the compute node can be configured through the CMM **power** command and the CMM web interface to start automatically when power is restored.
 - For more information about the CMM **power** command, see the "Flex System Chassis Management Module: Command-Line Interface Reference Guide" at http://pic.dhe.ibm.com/infocenter/flexsys/information/topic/com.ibm.acc.cmm.doc/cli_command_power.html.
 - From the CMM web interface, select **Compute Nodes** from the **Chassis Management** menu. For more information, see the "Flex System Chassis Management Module: User's Guide" at http://pic.dhe.ibm.com/infocenter/flexsys/information/topic/com.ibm.acc.cmm.doc/cmm_user_guide.html. All fields and options are described in the CMM web interface online help.
 - You can turn on the compute node through the CMM **power** command, the CMM web interface, or Flex System Manager management software if installed.
 - For more information about the CMM **power** command, see the "Flex System Chassis Management Module: Command-Line Interface Reference Guide" at http://pic.dhe.ibm.com/infocenter/flexsys/information/topic/com.ibm.acc.cmm.doc/cli_command_power.html.
 - From the CMM web interface, select **Compute Nodes** from the **Chassis Management** menu. All fields and options are described in the CMM web interface online help. For more information, see the "Flex System Chassis Management Module: User's Guide" at http://pic.dhe.ibm.com/infocenter/flexsys/information/topic/com.ibm.acc.cmm.doc/cmm_user_guide.html.
 - For more information about Flex System Manager management software, see the "Flex System Manager Software: Installation and Service Guide" at http://pic.dhe.ibm.com/infocenter/flexsys/information/topic/com.ibm.acc.8731.doc/product_page.html.
 - You can turn on the compute node through the Wake on LAN feature. The compute node must be connected to power (the power LED is flashing slowly) and must be communicating with the Chassis Management Module. The operating system must support the Wake on LAN feature, and the Wake on LAN feature must be enabled through the Chassis Management Module interface.

Turning off the compute node

Use this information for details about turning off the compute node.

About this task

When you turn off the compute node, it is still connected to power through the Flex System chassis. The compute node can respond to requests from the IMM2,

such as a remote request to turn on the compute node. To remove all power from the compute node, you must remove it from the Flex System chassis.

Before you turn off the compute node, shut down the operating system. See the operating-system documentation for information about shutting down the operating system.

The compute node can be turned off in any of the following ways:

- The compute node can turn off automatically as part of the operating system shutdown process (if this feature is supported by the operating system). See your operating-system documentation for more information.
- You can press the power button on the compute node (see “Compute node controls, connectors, and LEDs” on page 11). This starts an orderly shutdown of the operating system, if this feature is supported by the operating system.
- If the operating system stops functioning, you can press and hold the power button for more than 4 seconds to turn off the compute node.

Attention: Pressing the power button for 4 seconds forces the operating system to shut down immediately. Data loss is possible.

- When you press the power-control button on any compute node in a single partition (controlled by one operating system), all compute nodes in the single partition will be turned on or turned off.
- You can turn off the compute node through the CMM **power** command, the CMM web interface, or Flex System Manager management software (if installed).
 - For more information about the CMM **power** command, see the "Flex System Chassis Management Module: Command-Line Interface Reference Guide" at http://pic.dhe.ibm.com/infocenter/flexsys/information/topic/com.ibm.acc.cmm.doc/cli_command_power.html.
 - From the CMM web interface, select **Compute Nodes** from the **Chassis Management** menu. All fields and options are described in the CMM web interface online help. For more information, see the "Flex System Chassis Management Module: User's Guide" at http://pic.dhe.ibm.com/infocenter/flexsys/information/topic/com.ibm.acc.cmm.doc/cmm_user_guide.html.
 - For more information about Flex System Manager management software, see the "Flex System Manager Software: Installation and Service Guide" at http://pic.dhe.ibm.com/infocenter/flexsys/information/topic/com.ibm.acc.8731.doc/product_page.html.

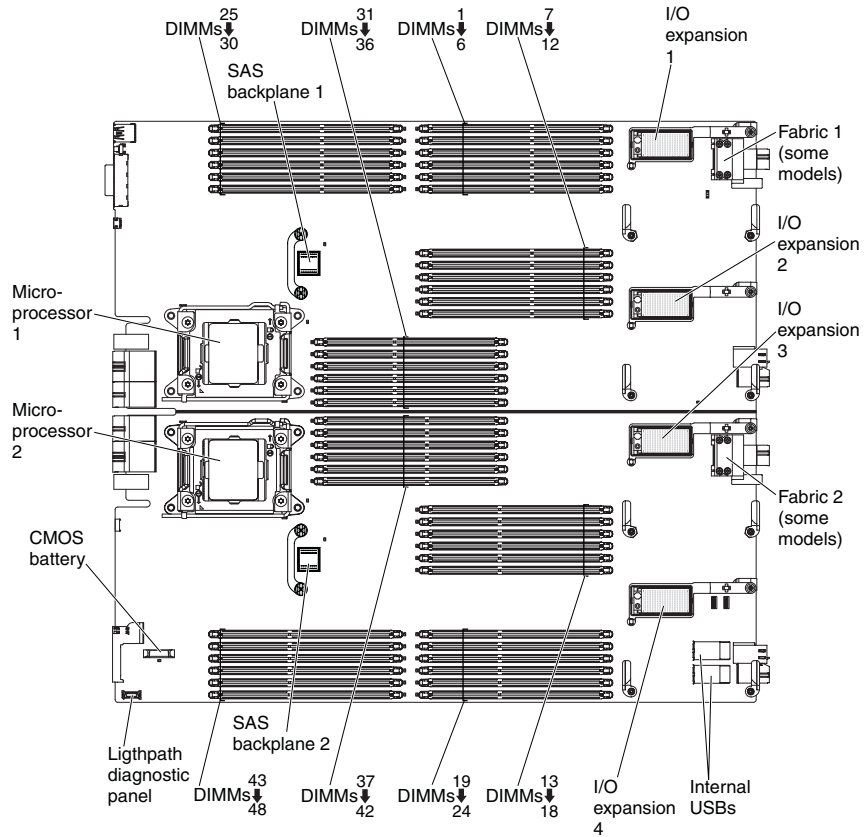
System-board layouts

Use this information to locate the connectors, LEDs, jumpers, and switches on the system board.

System-board connectors

Use this information to locate compute node system-board components and connectors for optional devices.

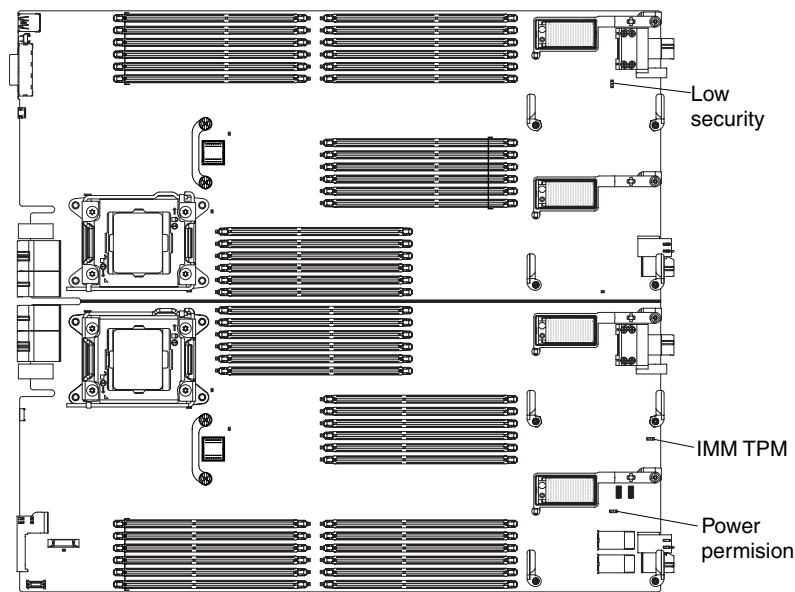
The following illustration shows the system-board components, including connectors for user-installable optional devices, in the compute node.



System-board jumpers

Use this information to locate the system-board jumpers.

The following illustration shows the locations of the jumpers on the system board.

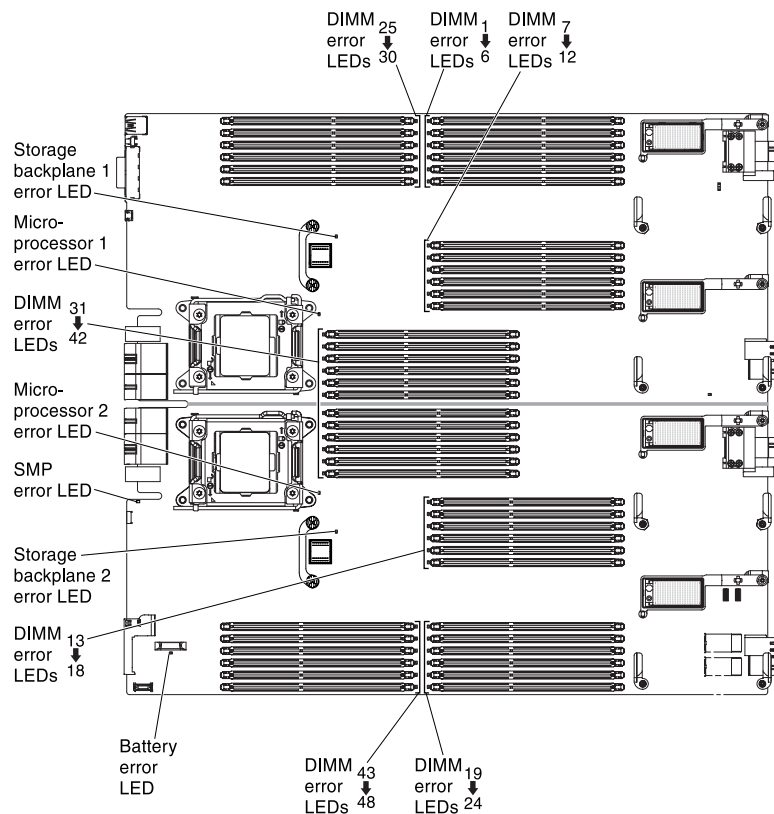


The following table describes the function of each jumper on the system board.

Jumper number	Description
IMM TPM (JP2461)	Two-pin jumper. The default is no jumper. Place a jumper on pins 1 and 2 to indicate a physical presence to the IMM2 TPM chip.
Low Security (J2101)	Three-pin jumper block. The default position is pins 2 and 3.
Power permission (JP9601)	Two-pin jumper block. The default is no jumper. Place a jumper on pins 1 and 2 to force power permission from the IMM2 to the real time management module (RTMM).

System-board LEDs

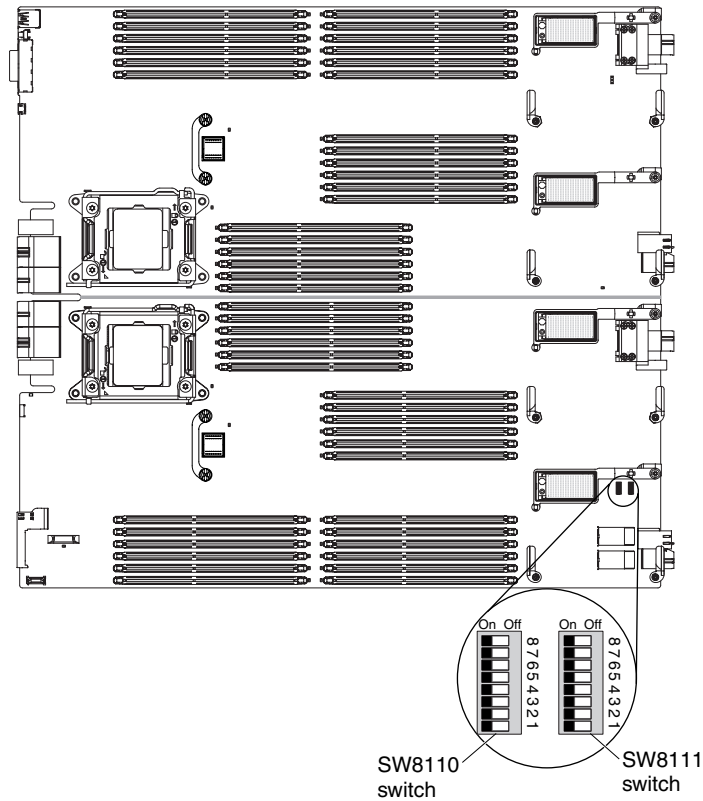
The following illustration shows the location of the LEDs on the system board.



System-board switches

Use this information to locate the system-board switches.

The following illustration shows the location of the switch blocks on the system board.



The following table describes the functions of the switches.

Switch number	Description	Switch setting	Definition
SW8110-1	Password override	The default position is off.	Changing this switch to the on position overrides the power-on password.
SW8110-2	UEFI TPM	The default position is off.	Changing this switch to the on position indicates a physical presence to the TPM.
SW8110-3	Real time clock (RTC) reset	The default position is off.	Changing this switch to the on position resets the RTC. A momentary toggle is all that is required. To avoid excessive CMOS battery drain, do not leave this switch in the on position.

Switch number	Description	Switch setting	Definition
SW8110-4	Boot backup IMM2	The default position is off.	When the switch is in the default off position, the compute node will boot by using the primary IMM2 firmware. When the switch is in the on position, the compute node will boot by using a backup of the IMM2 firmware.
SW8110-5	Boot backup UEFI	The default position is off.	Changing this switch to the on position forces the compute node to boot from the backup UEFI image.
SW8110-6	IMM force update	The default position is off.	Changing this switch to the on position bypasses the operational firmware image and performs a IMM firmware update, if the normal firmware update procedure results in an inoperative IMM. Note: Use this switch only if the normal firmware update procedure fails and the operational firmware image is corrupted. Use of this switch disables normal baseboard management controller operation.
SW8110-7	IMM SPI ROM Chip Select	The default position is off.	Changing this switch to the on position forces the compute node to select system SPI ROM0 or ROM1.
SW8110-8	Real time management module (RTMM) flash bypass	The default position is off.	Changing this switch to the on position forces the compute node to use RTMM ROM instead of flash.
SW8111-1	Reset FPGA Configuration Logic	The default position is off.	Changing this switch to the on position forces the compute node to reset the FPGA configuration logic.

Switch number	Description	Switch setting	Definition
SW8111-2	IMMv2 Reset	The default position is off.	Changing this switch to the on position forces the compute node to reset the IMM.
SW8111-3	ME Flash descriptor security override	The default position is off.	Changing this switch to the on position forces the compute node to override security in the flash descriptor.
SW8111-4	Boot Backup ME	The default position is off.	Changing this switch to the on position forces the compute node to boot from the backup ME.
SW8111-5, SW8111-6	Selecting dongle serial port MUX (U9812)	on, on off, on on, off off, off	LOM TX/RX RTMM TX/RX IMM TX/RX SIO TX/RX
SW8111-7, SW8111-8	Selecting dongle serial port MUX (U9811)	on, on off, on on, off off, off	SAS TX/RX FPGA TX/RX IMM TX/RX SIO RTS/CTS

Working with scalable partitions

This topic provides information about connecting multiple compute nodes together to create scalable partitions.

A multi-node complex supports the following implementation modes:

- **Single partition:** The configuration functions as a single compute node that contains up to eight microprocessors and 192 DIMMs. When the configuration is implemented as a single-hardware partition, the lowest node bay ID in the chassis is the primary node. The single partition uses the operating system of the primary compute node.

The other nodes are the secondary nodes. The secondary nodes use the UEFI settings defined for the primary node through the IMM. Each secondary compute node retains its own UEFI settings for later use in stand-alone mode or as a primary node.

Note: If you purchased a multi-node complex and you received each compute node packaged individually, each compute node has a label on the top of the bezel identifying the primary node and the secondary nodes as defined at the factory during testing. Install the nodes in the chassis in the order indicated on the label.

You can configure one, two, or four compute nodes into a single partition.

- **Multiple partitions:** The compute nodes are configured to form multiple partitions within a multi-node complex.
 - Two partitions each containing one compute node
 - Two partitions each containing two compute nodes
 - One partition containing four compute nodes

- One partition containing two compute nodes and two partitions each containing one compute node
- **Stand-alone mode:** The compute nodes operate independently within a multi-node complex. Each compute node uses its own UEFI settings.

To partition a multi-node complex, use the IMM2 Web interface (see “Partitioning a multi-node complex” on page 25 for more information).

FlexNode partitioning

This topic provides information about FlexNode partitioning.

With FlexNode partitioning, you can toggle between a single partition or multiple partitions without having to modify the physical setup of the compute nodes. To toggle between partitions, use the IMM2 Web interface.

Single partition considerations

The following considerations apply to compute nodes in a multi-node complex that operate as a single-hardware partition:

- The single partition uses the UEFI settings (set through the Setup utility) defined for the primary compute node.
- If you update firmware using UpdateXpress System Packs (UXSP), when you upgrade the firmware for the compute nodes operating as a single partition, you only have to upgrade the primary compute node. The firmware on the secondary compute nodes is automatically updated.
- The primary compute node has access to the hard disk drives and SSDs on the secondary compute nodes.
- Use the UEFI multi-node drive sharing setting to combine the drives on the primary compute node with the drives on the secondary compute nodes to form a single RAID array. RAID arrays can be formed only using the drives in individual compute nodes.
- The primary compute node has access to any I/O expansion adapters that are installed in the secondary compute nodes. However, the I/O expansion adapters in the secondary compute nodes cannot be used for a Serial Over LAN connection.
- When you press the power-control button on any compute node in a single partition (controlled by one operating system), all compute nodes in the single partition will be turned on or turned off.

Chapter 2. Configuring

Use this information to update the firmware and use the configuration utilities.

Partitioning a multi-node complex

Before you configure the compute nodes that are part of a multi-node complex, you must partition the multi-node complex.

About this task

To partition a multi-node complex, complete the following steps.

Procedure

1. From the IMM2 Web interface, click **Server Management > Scalable Complex**.

Note: The **Scalable Complex** selection is only available when a compute node that supports scalable partitions is installed in the chassis.

2. Select one or more unassigned compute nodes.
3. Click **Create Partition**.

What to do next

For more information, see Chapter 4, “Accessing the IMM2,” on page 49.

Updating firmware and device drivers

Lenovo periodically makes UEFI code, IMM2 firmware, diagnostic firmware updates, and device driver updates available for the compute node. Provisioning is the set of actions that you take to update the firmware and device drivers and install the operating system. Several tools are available to help you update the firmware and device drivers in the provisioning process.

Attention: Installing the wrong firmware or device-driver update might cause the compute node to malfunction. Before you install a firmware or device-driver update, read any readme and change history files that are provided with the downloaded update. These files contain important information about the update and the procedure for installing the update, including any special procedure for updating from an early firmware or device-driver version to the latest version.

Notes:

1. If you update firmware using UpdateXpress System Packs (UXSP), when you upgrade the firmware for the compute nodes operating as a single partition, you only have to upgrade the primary compute node. The firmware on the secondary compute nodes is automatically updated.
2. If you update firmware in a scalable partition using ToolsCenter Bootable Media Creator, you only have to upgrade each primary node. The firmware on the secondary compute nodes is automatically updated.

3. If you are using a compute node that came with the Ethernet LAN-on-motherboard (LOM) controller integrated on the system board, you can find the device drivers at <http://www.emulex.com/downloads/ibm/vfa-software-kits.html>.
4. Follow the instructions in the readme file that comes with the firmware update.

- **Flex System Manager Update Manager**

Flex System Manager Update Manager (if installed) acquires, installs, and manages firmware and device driver updates and monitors your compute nodes to ensure that they remain current. For more information about Flex System Manager Update Manager, see http://pic.dhe.ibm.com/infocenter/flexsys/information/topic/com.ibm.acc.8731.doc/updating_firmware_and_software.html.

- **UpdateXpress System Packs**

UpdateXpress System Packs (UXSP) contain an integration-tested bundle of online, updateable firmware and device drivers for your compute node. The ToolsCenter Bootable Media Creator uses UpdateXpress System Packs to update the firmware and device drivers.

Typically, use UpdateXpress System Packs to update firmware and device drivers for a compute node that has previously been provisioned. For more information about UpdateXpress System Packs, see <http://www.ibm.com/support/entry/portal/docdisplay?Indocid=SERV-XPRESS>.

- **ToolsCenter Bootable Media Creator**

You can use ToolsCenter Bootable Media Creator to create bootable media that is suitable for applying firmware updates and running preboot diagnostics. Using ToolsCenter Bootable Media Creator, you can create a single bootable image on supported media (such as CD, DVD, ISO image, USB flash drive, or set of PXE files) that bundles multiple Flex System tools and updates from UpdateXpress System Packs, which contain Windows and Linux[®] firmware updates.

Typically, use ToolsCenter Bootable Media Creator for the initial setup of a compute node. For more information about the Bootable Media Creator, see <http://www.ibm.com/support/entry/portal/docdisplay?Indocid=TOOL-BOMC>.

To provision a compute node with updated firmware and device drivers by using ToolsCenter Bootable Media Creator and the Flex System Manager management software, complete the following steps:

1. Download ToolsCenter Bootable Media Creator to a computer that is connected over the management network to the Flex System Manager management software that is managing the compute node.
2. Create the bootable media of firmware and device driver updates.
3. Connect to the Flex System Manager management software that is managing the Flex System chassis in which the compute node is installed.
4. From Flex System Manager Chassis Manager, select the compute node. In the Actions column, select **Remote Control**.

Note: The user ID that you use to log in to Flex System Manager management software must have sufficient user permissions to manage the compute node.

5. From the Remote Control session, mount the bootable media (using Remote Media).
6. Start the compute node to boot the media and install the updates.

- **Integrated management module II (IMM2)**

You can use IMM2 to update some types of compute node firmware. For more information about the IMM2, see <http://www.ibm.com/support/entry/portal/docdisplay?Indocid=MIGR-5086346>.

Important: To avoid problems and to maintain system performance, always make sure that the UEFI code, IMM2 firmware, and diagnostic firmware levels are consistent in all compute nodes in the Flex System chassis.

For additional information about updating firmware and device drivers, see UEFI Compliant Firmware on System x[®] and BladeCenter[®] Servers. and the Flex System Quick start guides, and the *Firmware Update Guides* at <http://www.ibm.com/support/entry/portal/docdisplay?Indocid=MIGR-5091991> (an user ID might be required to access this content).

Recovering a UEFI image

Use this information to recover a UEFI image.

About this task

The compute node has an advanced recovery feature that automatically switches to a backup UEFI page if the UEFI code in the compute node has become damaged, such as from a power failure during an update. The flash memory of the compute node consists of a primary page and a backup page. If the UEFI code in the primary page is damaged, the integrated management module detects the error and automatically switches to the backup page to start the compute node. If this happens, a POST message Booted from backup UEFI image is displayed, the check log LED is lit, and an automatic BIOS recovery (ABR) condition occurs. The backup page version might not be the same as the primary page version.

You can then recover or restore the original primary page UEFI.

Note: Changes are made periodically to the website. The actual procedure might vary slightly from what is described in this document.

Procedure

To recover the UEFI code and restore the compute node operation to the primary page, complete the following steps:

1. Update the UEFI code (see “Updating firmware and device drivers” on page 25).
2. Restart the compute node.
3. At the firmware splash screen, press F3 when prompted to restore to the primary bank. The compute node boots from the primary bank.

Note: The prompt to press F3 displays only if the compute node boots from the backup page due to an ABR condition.

What to do next

If the attempt to flash the primary page results in the compute node not booting and the check log LED is not lit, you can manually restore the UEFI code. To manually restore the UEFI code, complete the following steps.

Note: If the check log LED is lit, the compute node is booting from the backup image and moving the switch to backup changes nothing.

1. Before you begin, read "Safety" on page v and "Installation guidelines" on page 699.
2. Turn off the compute node (see "Turning off the compute node" on page 16).
3. Remove the compute node from the Flex System chassis (see "Removing a compute node from a chassis" on page 701).
4. Remove the cover (see "Removing the compute node cover" on page 715).
5. Locate the boot backup UEFI switch on the switch block and move the switch to the On position (see "System-board switches" on page 19).
6. Replace the cover and reinstall the compute node in the Flex System chassis (see "Installing the compute node cover" on page 716 and "Installing a compute node in a chassis" on page 702).
7. Update the UEFI code (see "Updating firmware and device drivers" on page 25).
8. Turn off the compute node and remove it from the Flex System chassis (see "Turning off the compute node" on page 16 and "Removing a compute node from a chassis" on page 701).
9. Remove the cover of the compute node (see "Removing the compute node cover" on page 715).
10. Locate the boot backup UEFI switch on the switch block and move the switch to the Off position (see "System-board switches" on page 19).
11. Replace the cover and reinstall the compute node in the Flex System chassis (see "Installing the compute node cover" on page 716 and "Installing a compute node in a chassis" on page 702).
12. Restart the compute node (see "Turning on the compute node" on page 15).

Important: If you are unable to manually restore the UEFI code after several attempts, replace the system-board assembly (see "Removing the system-board components for base-assembly replacement" on page 767 and "Installing the system-board components for base-assembly replacement" on page 769).

Configuring the compute node

Use this information to configure the compute node.

Procedure

To perform a typical initial configuration, complete the following steps:

Note: To configure a compute node, you configure the IP address of the IMM through the CMM Web interface. For more information, see the "Flex System Chassis Management Module: User's Guide" at http://pic.dhe.ibm.com/infocenter/flexsys/information/topic/com.ibm.acc.cmm.doc/cmm_user_guide.html.

1. Configure the Unified Extensible Firmware Interface (UEFI) firmware for the compute node by using the Setup utility (see "Using the Setup utility" on page 29 or the Advanced Setup Utility (ASU) (see <http://www.ibm.com/support/entry/portal/docdisplay?Indocid=TOOL-ASU>).

For more information about firmware configuration options, see <http://www.ibm.com/support/entry/portal/docdisplay?Indocid=MIGR-5083207>.

2. Set the boot protocol by using the Setup utility (see “Setting the boot protocol to boot from legacy devices using the Setup utility” on page 35).

You can temporarily redefine the boot order by using the Boot Selection menu program (see “Using the Boot Selection Menu program” on page 36).

3. Configure the RAID array.

You can install up to two hard disk drives in the compute node and implement RAID level-0 (striping) or RAID level-1 (mirror) arrays in operating systems that are listed on the ServerProven list at <http://www.ibm.com/systems/info/x86servers/serverproven/compat/us>. For the compute node, you must configure the RAID by using the LSI Configuration Utility program (see “Using the LSI Logic Configuration Utility” on page 40).

If an optional RAID expansion adapter is installed, you can use it to control all the hard disk drives that are installed in the compute node. See the documentation that comes with the expansion adapter for information about how to configure the RAID array.

Important: You must create the RAID array *before* you install the operating system on the compute node.

4. Configure the integrated management module II (IMM2) using either the Setup utility or the Advanced Settings Utility (ASU).
5. Update the compute node firmware (see “Updating firmware and device drivers” on page 25).

Notes:

- a. If you use Flex System Manager Update Manager to update the firmware, you can optionally start the operating-system installation while the firmware updates are installed. It is normal operation for the initial firmware updates to take an unusual length of time.
- b. If the Chassis Management Module (CMM) and the compute nodes are set up to use DHCP and the CMM loses connectivity to the network, the CMM attempts to acquire a new IP address when network connectivity is restored. The compute nodes will not attempt to acquire an IP address again; they will continue to use their original IP addresses. Therefore, if you experience network problems on compute nodes after connectivity between the CMM and the network is restored, you might have to reset the system-management processor in each of the compute nodes in the chassis (including the management node).

What to do next

After you configure the compute node, you can install the operating system and update device drivers (see Chapter 3, “Installing the operating system,” on page 45 for more information).

Using the Setup utility

Use these instructions to start the Setup utility.

Procedure

You can access the Setup utility remotely through the CMM web interface. From the CMM web interface, select **Launch Compute Node Console**. For more information, see the “Flex System Chassis Management Module: User's Guide” at

http://pic.dhe.ibm.com/infocenter/flexsys/information/topic/com.ibm.acc.cmm.doc/cmm_user_guide.html. All fields and options are described in the CMM web interface online help.

Note: The integrated management module II (IMM2) must have a valid IP address.

To start the Setup utility locally, complete the following steps:

1. If the compute node is turned on, turn off the compute node (see “Turning off the compute node” on page 16).

Attention: Use only the console breakout cable that comes with the compute node. Attempting to connect other console breakout cable types might damage the console breakout cable and the compute node.

2. If necessary, connect a keyboard, monitor, and mouse to the console breakout cable and connect the console breakout cable to the compute node).
3. Turn on the compute node (see “Turning on the compute node” on page 15).
4. When the prompt Press <F1> Setup is displayed, press F1.
 - If you have set an administrator password, you must type the administrator password to access the full Setup utility menu. If you do not type the administrator password, a limited Setup utility menu is available.
 - If you have *not* set an administrator password, the full Setup utility menu is available to all users.
5. The Setup utility is organized in a menu structure which enables you to view and change the settings. The keyboard characters used to navigate the Setup utility screen and change settings are shown at the bottom of the Setup utility screens.

Results

The following menu items are on the Setup utility main menu. Depending on the version of the Unified Extensible Firmware Interface (UEFI), some menu items might differ slightly from these descriptions.

- **System Information**

Select this choice to view information about the compute node. When you make changes through other choices in the Setup utility, some of those changes are reflected in the system information; you cannot change settings directly in the system information. This choice is on the full Setup utility menu only.

- **System Summary**

Select this choice to view configuration information, including the ID, speed, and cache size of the microprocessors, machine type and model of the compute node, the serial number, the system Universally Unique Identifier (UID), and the amount of installed memory.

- **Product Data**

Select this choice to view the system-board identifier, the revision level or issue date of the firmware, the integrated management module II and diagnostics code, and the version and date.

This choice is on the full UEFI Setup utility menu only.

- **System Settings**

Select this choice to view or change the compute node component settings.

- **Adapters and UEFI Drivers**

Select this choice to view information about the adapters and UEFI device drivers in the compute node.

Note: Before you configure a UEFI-compatible device, update the firmware for your compute node. See “Updating firmware and device drivers” on page 25 for information about how to update the firmware for your compute node.

To configure a UEFI-compatible expansion adapter, complete the following steps:

1. Select **Please press ENTER to compile the list of drivers** and press Enter.
2. Select the device driver that you want to configure, and press Enter.
3. When you have finished changing settings, press Esc to exit from the program; select **Save** to save the settings that you have changed.

– **Devices and I/O Ports**

Select this choice to view or change assignments for devices and input/output (I/O) ports. You can configure the remote console redirection and enable or disable the integrated Ethernet controller. If you disable a device, it cannot be configured, and the operating system cannot detect it (disabling a device is equivalent to disconnecting the device).

You can also choose to enable or disable adapter option ROM support. Disabling support can potentially improve the time it takes the compute node to start.

– **Driver Health**

Select this choice to view the health status of the controllers as reported by the device drivers. You can select to perform a repair action on a device driver.

– **Integrated Management Module**

Select this choice to view or change the settings for the integrated management module II (IMM2).

- **Power Restore Policy**

Select this choice to determine the state to which the compute node will be restored after a power outage.

- **Commands on USB Interface**

Select this choice to specify whether the Ethernet over USB interface is enabled or disabled.

Note: This option is primarily for older operating systems that have problems with USB communications device class (CDC) Ethernet interfaces. Disabling this option will cause the following issues:

- Online update packages will not work.
- Updates that use Bootable Media Creator (BoMC) will not work because BoMC uses the LAN over USB interface.
- You must install the IPMI device driver to use the Advanced Settings Utility (ASU) to change the IMM2 or UEFI configuration.
- You cannot set the IMM2 OS loader watchdog.

- **Network Configuration**

Select this choice to view the system-management network interface port, IMM2 MAC address, current IMM2 IP address, and host name; define the static IMM2 IP address, subnet mask, and gateway address; specify whether to use the static IP address or have DHCP assign the IMM2 IP address; save the network changes; and reset the IMM2.

- **Reset IMM to Defaults**
Select this choice to restore the IMM2 to the manufacturing default settings. The IMM2 controller restarts after you restore the settings.
- **Reset IMM**
Select this choice to restart the IMM2 controller.
- **Legacy Support**
Select this choice to view or set legacy support.
 - **Force Legacy Video on Boot**
Select this choice to enable or disable force INT video support, if the operating system does not support UEFI video output standards. The default is **Enable**.
 - **Rehook INT**
Select this choice to enable or disable devices from taking control of the boot process. The default is **Disable**.
 - **Legacy Thunk Support**
Select this choice to enable or disable UEFI to interact with PCI mass storage devices that are non-UEFI compliant. The default is **Enable**.
 - **Infinite Boot Retry**
Select this choice to enable or disable UEFI to infinitely retry the legacy boot order.
 - **BBS Boot**
Select this choice to enable or disable legacy boot in accordance with the BIOS Boot Specification (BBS).
 - **Non-Planar PXE**
Select this choice to enable or disable non-system-board PXE for legacy mode.
- **Memory**
Select this choice to view or change the memory settings.
If a memory error is detected during POST or memory configuration, the compute node automatically disables the failing pair of memory connectors and continues operating with reduced memory. After the problem is corrected, you must manually enable the memory connectors. Select **System Memory Details** and use the arrow keys to highlight the pair of memory connectors that you want to enable; then, set the connectors to **Enable**.
- **Network**
Select this choice to view or configure the network device options, such as iSCSI, PXE, and network devices.
- **Operating Modes**
Select this choice to determine operational settings, such as operating mode (minimal power, efficiency, or maximum performance) and memory speed.
- **Power**
Select this choice to view or change the power scheme settings.
- **Processors**
Select this choice to view or change the microprocessor settings.
- **Recovery and RAS**
Select this choice to view or change the system recovery and advanced RAS parameters.
 - **Advanced RAS**

Select this choice to enable advanced RAS options.

- **Backup Bank Management**

Select this choice to configure the backup bank management settings.

- **Disk GPT Recovery**

Select this choice to enable or disable GUID partition table (GPT) drive recovery.

- **POST Attempts**

Select this choice to define the number of times to attempt POST before invoking the recovery procedures.

- **System Recovery**

Select this choice to configure the recovery settings.

- **POST Watchdog Timer**

Select this choice to view or enable the POST watchdog timer.

- **POST Watchdog Timer Value**

Select this choice to view or set the POST loader watchdog timer value.

- **Reboot System on NMI**

Select this choice to enable or disable restarting the system whenever a nonmaskable interrupt (NMI) occurs. The default is **Disable**.

- **Halt On Severe Error**

Select this choice to enable or disable the system starting the operating system whenever a severe error is detected during POST. A setting of **Enable** prevents the system from starting the operating system when a severe POST error occurs, instead starting the POST Event Viewer. The default is **Disable**.

- **Security**

Select this option to view or configure the Secure Boot feature and Trusted Platform Module (TPM 1.2).

- **Secure Boot Configuration**

Select this choice to enable and disable the Secure Boot feature or set the Secure Boot mode.

- **Trusted Platform Module (TPM 1.2)**

Select this choice to view or configure the TPM setup options.

- **Storage**

Select this choice to view and manage RAID controller configurations.

- **Date and Time**

Select this choice to set the date and time for the compute node. The date is set in *month/day/year* format. The time is set in 24-hour format (*hour:minute:second*).

This choice is on the full UEFI Setup utility menu only.

- **Start Options**

Select this choice to view or change the startup sequence. The startup sequence specifies the order in which the compute node checks devices to find a boot record. The compute node starts from the first boot record that it finds. If the compute node has Wake on LAN hardware and software and the operating system supports Wake on LAN functions, you can specify a startup sequence for the Wake on LAN functions. For example, you can define a startup sequence that checks for a disc in the CD or DVD drive, then checks the hard disk drive, and then checks a network adapter.

This choice is on the full UEFI Setup utility menu only.

- **Boot Manager**

Select this choice to view, add, delete, or change the device boot priority, boot from a file, select a one-time boot, or reset the boot order to the default setting. Select **Boot Modes** to view or change the boot settings. You can set the boot mode and choose UEFI operating-system support only, or legacy operating-system support only.

Note: If you select the legacy-only boot mode (which makes boot time much faster), you will not be able to activate any Features on Demand (FoD) keys.

- **System Event Logs**

Select this choice to access the System Event Manager, where you can view the POST event log and the system-event log.

The POST event log contains the three most recent error codes and messages that were generated during POST.

The system-event log contains POST and system management interrupt (SMI) events and all events that are generated by the baseboard management controller that is embedded in the integrated management module II.

Important: If the system-error LED on the front of the compute node is lit but there are no other error indications, clear the system-event log. Also, after you complete a repair or correct an error, clear the system-event log to turn off the system-error LED on the front of the compute node.

- **POST Event Viewer**

- Select this choice to enter the POST event viewer to view the UEFI diagnostic codes.

- **System Event Log**

- Select this choice to view the system-event log.

- **Clear System Event Log**

- Select this choice to clear the system-event log.

- **User Security**

Select this choice to set, change, or clear passwords.

You can set, change, and delete a power-on password and an administrator password through this selection.

- If you set a power-on password, you must type the power-on password to complete the system startup and to have access to the Setup utility main menu.

- If you set an administrator password, you must type the administrator password to have access to the full Setup utility main menu. If you do not type the administrator password when one is set, a limited Setup utility menu is available.

You can use any combination of up to from 6 to 20 characters (A - Z, a - z, and 0 - 9) for passwords. Keep a record of your password in a secure place.

If you forget the power-on password, you can regain access to the compute node by using the power-on password override switch (see “System-board switches” on page 19).

Attention: If you set an administrator password and then forget it, there is no way to change, override, or remove it. You must replace the system board.

You can also regain access to the compute node by removing the CMOS battery and then reinstalling it (see “Removing the CMOS battery” on page 712 and “Installing the CMOS battery” on page 713).

Important: Removing the CMOS battery clears the settings in CMOS memory.

- **Save Settings**

Select this choice to save the changes that you have made in the settings.

- **Restore Settings**

Select this choice to cancel the changes that you have made in the settings and restore the previous settings.

- **Load Default Settings**

Select this choice to cancel the changes that you have made in the settings and restore the manufacturing settings.

- **Exit Setup**

Select this choice to exit from the Setup utility. If you have not saved the changes that you have made in the settings, you are asked whether you want to save the changes or exit without saving them.

Nx boot failure

Configuration changes, such as added devices or adapter firmware updates, and firmware or application code problems can cause a compute node to fail the power-on self-test (POST).

If a compute node fails POST, it responds in either of the following ways:

- The compute node restarts automatically and attempts POST again.
- The compute node hangs and you must manually restart the compute node for the compute node to attempt POST again.

After a specified number of consecutive attempts (automatic or manual), the Nx boot failure feature causes the compute node to revert to the default UEFI configuration and start the Setup utility, so that you can make the necessary corrections to the configuration and restart the compute node. If the compute node is unable to successfully complete POST with the default configuration, there might be a problem with the system board.

To specify the number of consecutive restart attempts that will trigger the Nx boot failure feature in the Setup utility, click **System Settings > Recovery > Post Attempts**. The available options are 3, 6, 9 and Disable.

Setting the boot protocol to boot from legacy devices using the Setup utility

This option disables UEFI ROMs from loading. The compute node will boot legacy mode only. Use the Setup utility to configure the boot protocol to boot from a non-UEFI legacy network device for all PXE boot attempts.

To use the Setup utility to configure the boot protocol to boot from a non-UEFI legacy network device for all PXE boot attempts, complete the following steps:

Attention: Use only the console breakout cable that comes with the compute node. Attempting to connect other console breakout cable types might damage the console breakout cable and the compute node.

1. Connect a keyboard, monitor, and mouse to the console breakout cable and connect the console breakout cable to the compute node.
2. Turn on the compute node (see “Turning on the compute node” on page 15).

3. When the prompt Press <F1> Setup is displayed, press F1. If you have set an administrator password, you must type the administrator password to access the full Setup utility menu. If you do not type the administrator password, a limited Setup utility menu is available.
4. From the Setup utility main menu, select **Boot Manager**.
5. Select **Boot Modes**; then select **Legacy Only**.
6. Press Esc twice to return to the Boot Manager menu.
7. Select **Change Boot Order** and move the non-UEFI legacy network device to the top of the boot order.
8. Press Esc twice to return to the Setup utility main menu.
9. Select **Save Settings** and then select **Exit Setup**.

To use the Setup utility to configure the boot protocol to boot from a non-UEFI legacy network device, complete the following steps:

Attention: Use only the console breakout cable that comes with the compute node. Attempting to connect other console breakout cable types might damage the console breakout cable and the compute node.

1. Connect a keyboard, monitor, and mouse to the console breakout cable and connect the console breakout cable to the compute node.
2. Turn on the compute node (see “Turning on the compute node” on page 15).
3. When the prompt Press <F1> Setup is displayed, press F1. If you have set an administrator password, you must type the administrator password to access the full Setup utility menu. If you do not type the administrator password, a limited Setup utility menu is available.
4. From the Setup utility main menu, select **Boot Manager**.
5. Select **Add Boot Option**; then, select **Generic Boot Option**.
6. Select **Legacy Only**.
7. Press Esc three times to return to the Setup utility main menu.
8. Select **Save Settings** and then, select **Exit Setup**.

Using the Boot Selection Menu program

The Boot Selection Menu program is a built-in, menu-driven configuration utility program that you can use to temporarily redefine the first startup device without changing settings in the Setup utility.

Procedure

To use the Boot Selection Menu program, complete the following steps:

1. Connect a keyboard, monitor, and mouse to the console breakout cable, and connect the console breakout cable to the compute node.

Attention: Use only the console breakout cable that comes with the compute node. Attempting to connect other console breakout cable types might damage the console breakout cable and the compute node.

2. Turn on the compute node (see “Turning on the compute node” on page 15).
3. Press F12 (**Select Boot Device**). If a bootable USB mass storage device is installed, a submenu item (**USB Key/Disk**) is displayed.
4. Use the Up Arrow and Down Arrow keys to select an item from the Boot Selection Menu and press **Enter**.

Results

The next time the compute node starts, it returns to the startup sequence that is set in the Setup utility.

Updating the Universally Unique Identifier and DMI/SMBIOS data

After the system board is replaced, you must update the Universally Unique Identifier (UUID) and DMI/SMBIOS data in the integrated management module II (IMM2) on the new system board.

You can use the Advanced Settings Utility (ASU) and any of the following access methods:

- Locally (in-band)
 - Through the Keyboard Controller Style (KCS) interface
 - Through the LAN over USB interface
- Remotely over a LAN

You can use the ASU under any supported operating system, or you can use the Bootable Media Creator or a Windows- or Linux-based toolkit to create bootable media that contains the ASU. For information about the ASU and instructions for downloading and unpacking the ASU code, see <http://www.ibm.com/support/entry/portal/docdisplay?lnocid=TOOL-ASU> and the *Advanced Settings Utility User's Guide*.

The following sections provide instructions for updating the UUID and DMI/SMBIOS data, using the different methods for accessing the IMM2. The following conventions apply to the command syntax:

- Variables are shown in *italics*.
- Optional parameters are enclosed in brackets ([]). Do not type the brackets in the commands. If you omit an optional parameter, the default is used.
- Although the command syntax is shown in mixed case, the commands are not case sensitive.

Locally: Keyboard Controller Style (KCS)

This access method uses the IPMI/KCS interface. The IPMI driver must be installed; with some operating systems, the IPMI driver is installed by default. The ASU provides the corresponding mapping layer.

Procedure

To update the UUID, in the ASU command-line interface, enter the following command:

```
asu set SYSTEM_PROD_DATA.SysInfoUUID uuid
```

where *uuid* is the user-assigned hexadecimal value, up to 16 bytes, that identifies the compute node.

To update the DMI/SMBIOS data, complete the following steps:

1. In the ASU command-line interface, enter the following command:

```
asu set SYSTEM_PROD_DATA.SysInfoProdName xxxxyy
```

where:

xxxx is the 4-digit machine type of the compute node.

yyy is the 3-digit model number of the compute node.

2. Enter the following command:

```
asu set SYSTEM_PROD_DATA.SysInfoSerialNum zzzzzzz
```

where *zzzzzzz* is the 7-character serial number of the compute node.

3. Enter the following command:

```
asu set SYSTEM_PROD_DATA.SysEncloseAssetTag  
aaaaaaaaaaaaaaaaaaaaaaaaaaaaaaaaaaaa
```

where *aaaaaaaaaaaaaaaaaaaaaaaaaaaaaaaaaaaa* is the 33-character asset tag number of the compute node.

Locally: LAN over USB

If you omit any optional parameter, the default value is used. If one or more default values are used and the ASU cannot access the IMM2 by using the LAN over USB access method, the ASU automatically uses the KCS access method.

Procedure

To update the UUID, in the ASU command-line interface, enter the following command:

```
asu set SYSTEM_PROD_DATA.SysInfoUUID uuid  
[--user userid] [--password password]
```

where:

uuid is the user-assigned hexadecimal value, up to 16 bytes, that identifies the compute node.

userid is the IMM2 account name (1 of 12 accounts). The default is USERID.

password is the IMM2 account password (1 of 12 accounts). The default is PASSWORD (with a zero, not the letter O).

To update the DMI/SMBIOS data, complete the following steps:

1. In the ASU command-line interface, enter the following command:

```
asu set SYSTEM_PROD_DATA.SysInfoProdName xxxxyyy [--host ipaddress]  
[--user userid] [--password password]
```

where:

xxxx is the 4-digit machine type of the compute node.

yyy is the 3-digit model number of the compute node.

ipaddress is the internal LAN/USB IP address of the IMM2. The default is 169.254.95.118.

userid is the IMM2 account name (1 of 12 accounts). The default is USERID.

password is the IMM2 account password (1 of 12 accounts). The default is PASSWORD (with a zero, not the letter O).

2. Enter the following command:

```
asu set SYSTEM_PROD_DATA.SysInfoSerialNum zzzzzzz [--host ipaddress]  
      [--user userid] [--password password]
```

where *zzzzzzz* is the 7-character serial number of the compute node.

3. Enter the following command:

```
asu set SYSTEM_PROD_DATA.SysEncloseAssetTag  
      aaaaaaaaaaaaaaaaaaaaaaaaaaaaaaaaaaaaaa [--host ipaddress]  
      [--user userid] [--password password]
```

where *aaaaaaaaaaaaaaaaaaaaaaaaaaaaaaaaaaaa* is the 33-character asset tag number of the compute node.

Remotely over a LAN

If you omit any optional parameter, the default value is used.

Procedure

To update the UUID, in the ASU command-line interface, enter the following command:

```
asu set SYSTEM_PROD_DATA.SysInfoUUID uuid --host ipaddress  
      [--user userid] [--password password]
```

where:

uuid is the user-assigned hexadecimal value, up to 16 bytes, that identifies the compute node.

ipaddress
is the external LAN IP address of the IMM2.

userid is the IMM2 account name (1 of 12 accounts). The default is USERID.

password
is the IMM2 account password (1 of 12 accounts). The default is PASSWORD (with a zero, not the letter O).

To update the DMI/SMBIOS data, complete the following steps:

1. In the ASU command-line interface, enter the following command:

```
asu set SYSTEM_PROD_DATA.SysInfoProdName xxxxyyy --host ipaddress  
      [--user userid] [--password password]
```

where:

xxxx is the 4-digit machine type of the compute node.

yyy is the 3-digit model number of the compute node.

ipaddress
is the external LAN IP address of the IMM2.

userid is the IMM2 account name (1 of 12 accounts). The default is USERID.

password
is the IMM2 account password (1 or 12 accounts). The default is PASSWORD (with a zero, not the letter O).

2. Enter the following command:

```
asu set SYSTEM_PROD_DATA.SysInfoSerialNum zzzzzzz --host ipaddress  
      [--user userid] [--password password]
```

where *zzzzzzz* is the 7-character serial number of the compute node.

3. Enter the following command:

```
asu set SYSTEM_PROD_DATA.SysEncloseAssetTag  
      aaaaaaaaaaaaaaaaaaaaaaaaaaaaaaaaaaaaaaa --host ipaddress  
      [--user userid] [--password password]
```

where *aaaaaaaaaaaaaaaaaaaaaaaaaaaaaaaaaaaaaa* is the 33-character asset tag number of the compute node.

Enabling Features on Demand RAID software

This topic provides information about enabling Features on Demand RAID software.

Integrated into the IMM2 is a Features on Demand RAID software upgrade key that you can activate for enhanced RAID support. For more information and instructions for activating the Features On Demand RAID software key, see the *Features on Demand User's Guide* at <http://www.ibm.com/support/entry/portal/docdisplay?lnocid=MIGR-5089568>. For more information about Features on Demand, go to <http://www.ibm.com/systems/x/fod/>.

Configuring a RAID array

Use this information to configure a RAID array.

About this task

Configuring a RAID array applies only to a compute node in which two or more hard disk drives are installed.

Note: When you configure a RAID array, the hard disk drives must use the same type of interface. For example, a RAID array can be configured with two SAS hard disk drives or two SATA hard disk drives.

You can use two hard disk drives in the compute node to implement and manage RAID level-0 (striping) or RAID level-1 (mirror) arrays in operating systems that are listed on the ServerProven list at <http://www.ibm.com/systems/info/x86servers/serverproven/compat/us>. For the compute node, you must configure the RAID by using the LSI Configuration Utility program.

If an optional RAID expansion adapter is installed, you can use it to control all of the hard disk drives that are installed in the compute node. See the documentation that comes with the expansion adapter for information about how to configure the RAID array.

Important: You must create the RAID array *before* you install the operating system on the compute node.

You can use the LSI Logic Configuration Utility program to configure the hard disk drives and the SAS controller. To start the LSI Logic Configuration Utility, see "Using the LSI Logic Configuration Utility."

Using the LSI Logic Configuration Utility

Use these instructions to start the LSI Logic Configuration Utility.

About this task

You can use the LSI Logic Configuration Utility to perform the following tasks:

- Set the device boot order
- Add or remove devices from the boot list
- Manage the RAID configuration

Note: The hard disk drive in the RAID configuration must use the same type of interface and must have identical capacity and speed.

Procedure

To start the LSI Logic Configuration Utility program, complete the following steps:

1. Connect a keyboard, monitor, and mouse to the console breakout cable and connect the console breakout cable to the compute node.

Attention: Use only the console breakout cable that comes with the compute node. Attempting to connect other console breakout cable types might damage the console breakout cable and the compute node.

2. Turn on the compute node (see "Turning on the compute node" on page 15).
3. When the prompt Press <F1> Setup is displayed, press F1. If you have set an administrator password, you must type the administrator password to access the full Setup utility menu. If you do not type the administrator password, a limited Setup utility menu is available.
4. From the Setup utility main menu, select **System Settings**; then select **Storage**.
5. Use the arrow keys to select the controller from the list of adapters; then, press Enter.
6. Follow the instructions on the screen to change the settings of the selected items; then, press Enter. If you select **SAS Topology** or **Advanced Adapter Properties**, additional screens are displayed.

Features on Demand

This topic provides information about Features on Demand.

Features on Demand provides optional software that is available for the compute node and other Flex System resources. Features on Demand provides a convenient way for you to activate optional software through the optional Flex System Manager management software (see http://pic.dhe.ibm.com/infocenter/flexsys/information/topic/com.ibm.acc.8731.doc/features_on_demand.html), the IMM2 interface (see <http://www.ibm.com/support/entry/portal/docdisplay?lnocid=MIGR-5086346>), or the CMM web interface (see "Flex System Chassis Management Module: User's Guide" at http://pic.dhe.ibm.com/infocenter/flexsys/information/topic/com.ibm.acc.cmm.doc/cmm_user_guide.html). Any Features on Demand software that you ordered with your compute node is preactivated and does not require manual activation.

Note: If the optional Flex System Manager management software is installed, Features on Demand should be activated using the Flex System Manager management software so that these features are properly catalogued.

If you did not order Features on Demand software when you ordered the compute node, you can purchase Features on Demand as you would any other optional

software or hardware. Instructions for obtaining an activation key are provided with your purchase of a Features on Demand authorization code.

For information about Features on Demand, see <http://www.ibm.com/systems/x/fod/>.

Important:

1. If the compute node is configured in the Setup utility to boot in legacy mode, you must leave UEFI option ROM initialization enabled for devices for which Features on Demand feature keys are installed.
2. After you install an activation key for the first time, you might have to restart the compute node for the Feature on Demand to become active. See the documentation that comes with the software for specific activation instructions.
3. Make sure that the UEFI code, IMM2 firmware, and all other firmware in the compute node is at the level that supports the Feature on Demand software.

Setting up the LAN-on-motherboard (LOM) feature

This topic provides information about setting up the LAN-on-motherboard (LOM) feature.

Some models of the Flex System x280 X6, x480 X6, and x880 X6 Compute Node Types 7903 and 4259 have one Ethernet LAN-on-motherboard (LOM) controller integrated on the system board. The LOM provides the following features:

- Two operational mode choices:
 - One-port physical NIC mode (pNIC), multichannel disabled, which is the default.
 - Virtual NIC mode (vNIC), multichannel enabled. vNIC mode enables up to 4 virtual NIC interfaces per 10 Gb physical port (8 total for the LOM).

For more information about how LOM ports are mapped to switch modules in the chassis, see http://pic.dhe.ibm.com/infocenter/flexsys/information/topic/com.ibm.acc.8721.doc/configuring_io_modules.html.

- Two options for vNIC linking:
 - VNIC1, Virtual Fabric mode.
 - VNIC2, Switch Independent mode.
- You can select these options using the Setup utility (F1).
- Link auto negotiation 10 Gb/1 Gb full duplex.
 - Bus-mastering support.
 - Direct memory access (DMA) support.
 - Interoperability with existing FC SAN infrastructures, such as switches, arrays, SRM tools (including Emulex utilities), SAN practices, and other infrastructures.
 - Unified Ethernet-to-FC SAN connectivity provided by an FCoE switch.
 - 10 Gb MAC features such as MSI-X support, jumbo frames (8 KB) support, VLAN tagging (802.1Q, PER priority pause/priority flow control), and advanced packet filtering.
 - NIC failover support.
 - Support for IBM Fabric Manager (IFM).
 - Preboot Execution Environment, UEFI, and Legacy PXE.
 - Wake on LAN (WOL).
 - SRIOV support.

- ISCSI or FCoE capabilities, which can be enabled through Features on Demand. When enabled, the ISCSI or FCoE operations are supported on the second vNIC of the physical port.

Separate NIC, ISCSI, and FCoE drivers are provided to support all configurations. To obtain the device drivers, go to <http://www.emulex.com/downloads/ibm/vfa-software-kits.html>.

No host operating system changes are required for you to use the LOM features. NIC and HBA functionality (including device management, utilities, and other functions) are transparent to the host operating system.

For more information about using the LOM feature, go to <http://www.emulex.com/support.html>.

Chapter 3. Installing the operating system

Use these instructions to install the operating system on the compute node.

To determine which operating systems are supported, see the following site:
<http://www.ibm.com/systems/info/x86servers/serverproven/compat/us/nos/flexmatrix.shtml>

Provisioning is the set of actions that you take to install the operating system. To install the operating system on a compute node, you can use any of the following methods:

- **LenovoServerGuide Setup and Installation CD**

Use the *ServerGuide Setup and Installation* CD to install a supported Microsoft Windows operating system only. To provision a compute node with an operating system by using the *ServerGuide Setup and Installation* CD, complete the following steps.

1. Download the *ServerGuide Setup and Installation* CD ISO image to a computer that is connected over the management network to the Flex System Manager management software (if installed) that is managing the compute node.
2. Connect to the Flex System Manager management software that is managing the Flex System chassis in which the compute node is installed.
3. From Flex System Manager Chassis Manager, select the compute node. In the Actions column, select **Remote Control**.

Note: The user ID that you use to log in to Flex System Manager management software must have sufficient user permissions to manage the compute node.

4. From the Remote Control session, mount the *ServerGuide Setup and Installation* CD bootable media (using Remote Media). When the ServerGuide program prompts you to mount the operating-system image, unmount the *ServerGuide Setup and Installation* CD and mount the operating-system image.

You can also install an ISO image of the operating system from an external or portable storage device, such as a USB device, by using Remote Media. For more information, see http://pic.dhe.ibm.com/infocenter/flexsys/information/topic/com.ibm.acc.8731.doc/remote_control_installing_an_operating_system_on_an_x-architecture_compute_node.html.

5. Start the compute node to boot the media and install the operating system.

- **Lenovo ToolsCenter Bootable Media Creator**

Use ToolsCenter Bootable Media Creator to create a *ServerGuide Setup and Installation* CD for deploying Windows operating systems and updates from UpdateXpress System Packs. For more information about the Bootable Media Creator, see <http://www.ibm.com/support/entry/portal/docdisplay?lnidocid=TOOL-BOMC>.

To provision a compute node with an operating system by using ToolsCenter Bootable Media Creator, complete the following steps:

1. Download ToolsCenter Bootable Media Creator to a computer that is connected over the management network to the Flex System Manager management software that is managing the compute node.

2. Connect to the Flex System Manager management software (if installed) that is managing the Flex System chassis in which the compute node is installed.
3. From Flex System Manager Chassis Manager, select the compute node. In the Actions column, select **Remote Control**.

Note: The user ID that you use to log in to Flex System Manager management software must have sufficient user permissions to manage the compute node.

4. From the Remote Control session, mount the *ServerGuide Setup and Installation* CD bootable media (using Remote Media). When the ServerGuide program prompts you to mount the operating-system image, unmount the *ServerGuide Setup and Installation* CD and mount the operating-system image.

You can also install an ISO image of the operating system from an external or portable storage device, such as a USB device, by using Remote Media. For more information, see http://pic.dhe.ibm.com/infocenter/flexsys/information/topic/com.ibm.acc.8731.doc/remote_control_installing_an_operating_system_on_an_x-architecture_compute_node.html.

5. Start the compute node to boot the media and install the operating system.

- **Flex System Manager management software**

You can use Flex System Manager management software (if installed) to deploy operating system and virtual images to multiple compute nodes that do not already have an operating system installed. This function is limited to deploying VMware ESXi and RHEL Kernel-based Virtual Machine (KVM) hypervisors to X-Architecture compute nodes. For more information, see http://pic.dhe.ibm.com/infocenter/flexsys/information/topic/com.ibm.acc.8731.doc/provisioning_a_blade_server_from_the_frm.html.

- **Lenovo ServerGuide Scripting Toolkit**

The ServerGuide Scripting Toolkit is a collection of system-configuration tools and installation scripts that you can use to deploy software to your compute node in a repeatable, predictable manner (see “Using Lenovo ServerGuide Scripting Toolkit” on page 48).

- **Operating-system installation instructions**

Download the latest operating-system installation instructions and install the operating system.

Important: The operating system in the compute node must provide USB support for the compute node to recognize and use the keyboard, mouse, and removable-media drives.

Using the ServerGuide Setup and Installation CD

The *ServerGuide Setup and Installation* CD provides software setup tools and installation tools that are designed for your compute node. The ServerGuide program detects the compute node model and optional hardware devices that are installed and uses that information during setup to configure the hardware. The ServerGuide program simplifies operating-system installations by providing updated device drivers and, in some cases, installing them automatically.

You can download a free image of the *ServerGuide Setup and Installation* CD from <http://www.ibm.com/support/entry/portal/docdisplay?lnocid=SERV-GUIDE>.

In addition to the *ServerGuide Setup and Installation* CD, you must have your operating-system CD to install the operating system.

ServerGuide features

This information provides an overview of the ServerGuide features.

Features and functions can vary slightly with different versions of the ServerGuide program. To learn more about the version that you have, start the *ServerGuide Setup and Installation* CD and view the online overview. Not all features are supported on all compute node models.

The ServerGuide program has the following features:

- An easy-to-use interface
- Diskette-free setup, and configuration programs that are based on detected hardware
- Device drivers that are provided for the compute node model and detected hardware
- Operating-system partition size and file-system type that are selectable during setup

The ServerGuide program performs the following tasks:

- Sets system date and time
- Detects installed optional hardware devices and provides updated device drivers for most adapters and devices
- Provides diskette-free installation for supported Windows operating systems
- Includes an online readme file with links to tips for hardware and operating-system installation

Typical operating-system installation

The ServerGuide program can reduce the time it takes to install an operating system. It provides the device drivers that are required for your hardware and for the operating system that you are installing. This section describes a typical ServerGuide operating-system installation.

Note: Features and functions can vary slightly with different versions of the ServerGuide program.

1. After you have completed the setup process, the operating-system installation program starts. (You will need your operating-system CD to complete the installation.)
2. The ServerGuide program stores information about the compute node model, IMM2, hard disk drive controllers, and network adapters. Then, the program checks the CD for newer device drivers. This information is stored and then passed to the operating-system installation program.
3. The ServerGuide program presents operating-system partition options that are based on your operating-system selection and the installed hard disk drives.
4. The ServerGuide program prompts you to insert your operating-system CD and restart the compute node. At this point, the installation program for the operating system takes control to complete the installation.

Installing the operating system without using ServerGuide

Use this information to install the operating system on the compute node without using ServerGuide.

About this task

If you have already configured the compute node hardware and you are not using the ServerGuide program to install your operating system, you can download operating-system installation instructions for the compute node from <http://www.ibm.com/supportportal>.

Using Lenovo ServerGuide Scripting Toolkit

The Lenovo ServerGuide Scripting Toolkit is a collection of system-configuration tools and installation scripts that you can use to deploy software to your Flex System compute node in a repeatable, predictable manner. When the ServerGuide Scripting Toolkit is used with Lenovo ServerGuide, it provides a total solution for deploying Flex System compute nodes in an unattended mode.

For more information about using the ServerGuide Scripting Toolkit, see <http://www.ibm.com/support/entry/portal/docdisplay?lnocid=TOOL-CENTER>.

Chapter 4. Accessing the IMM2

Use this information to access the integrated management module II (IMM2) remotely by using the command-line interface (IPMI shell) or serial over LAN, or locally through the LAN over USB interface.

The IMM2 is a second generation of the functions that were formerly provided by the baseboard management controller hardware. It combines service processor functions, video controller, and remote presence function in a single chip.

For more information about the IMM2, see <http://www.ibm.com/support/entry/portal/docdisplay?lnocid=MIGR-5086346>.

Accessing the IMM2 remotely

The integrated management module II (IMM2) provides the following remote systems-management capabilities:

The integrated management module II (IMM2) provides the following remote systems-management capabilities:

- **Command-line interface**

The command-line interface provides direct access to systems-management functions through the IPMI 2.0 protocol. Use the command-line interface to issue commands to control the compute node power, view system information, and identify the compute node. You can also save one or more commands as a text file and run the file as a script.

For more information about the command-line interface, see <http://www.ibm.com/support/entry/portal/docdisplay?lnocid=MIGR-5086346>.

- **Serial over LAN**

Establish a Serial over LAN (SOL) connection to manage compute nodes from a remote location. You can remotely view and change the UEFI settings, restart the compute node, identify the compute node, and perform other management functions. Any standard Telnet client application can access the SOL connection.

See your operating-system documentation for information about SOL commands that you can enter by using the command-line interface.

- **Web interface**

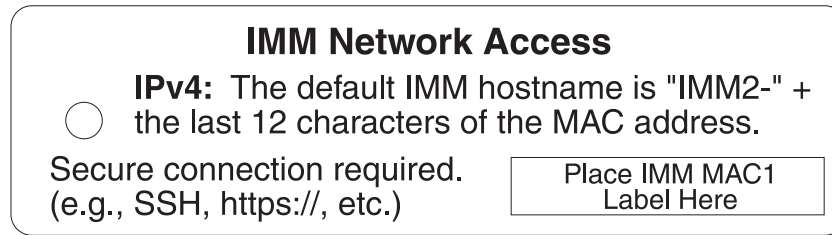
Use the secure IMM2 web interface to perform systems-management activities within a web browser. For information about accessing the web interface, see “Logging on to the web interface” on page 50.

Viewing the network access tag

Use this information to locate the IP address by viewing the network access tag, or by using the Setup utility or systems-management software.

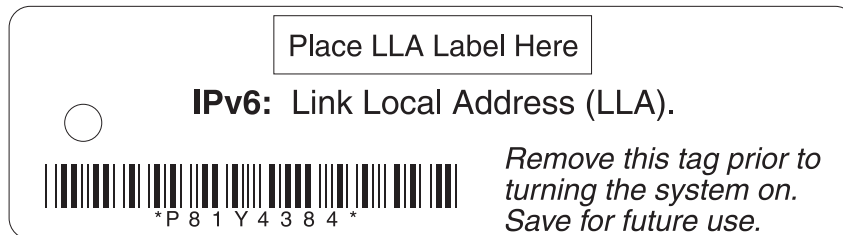
To access the web interface, you need the IP address of the IMM2. You can locate the IP address by viewing the network access tag. The network access tag is attached to the front of the compute node. The front of the network access tag lists the first four IMM MAC addresses in the lower-right corner, as shown in the following illustration.

Front



The rear of the network access tag lists the IPv6 link local address (LLA), as shown in the following illustration.

Rear



The MAC address is also available through the Setup utility, the CMM **cinstatus** command, and the CMM web interface.

- For more information about the Setup utility, see “Using the Setup utility” on page 29.
- For more information about the CMM **cinstatus** command, see the "Flex System Chassis Management Module: Command-Line Interface Reference Guide" at http://pic.dhe.ibm.com/infocenter/flexsys/information/topic/com.ibm.acc.cmm.doc/cli_command_cinstatus.html.
- From the CMM web interface, select **Compute Nodes** from the Chassis Management menu. For more information, see the "Flex System Chassis Management Module: User's Guide" at http://pic.dhe.ibm.com/infocenter/flexsys/information/topic/com.ibm.acc.cmm.doc/cmm_user_guide.html. All fields and options are described in the CMM web interface online help.

Note: If the network access tag is missing from the front of the compute node, you can also locate the MAC address on a label located on the bottom of the compute node.

Logging on to the web interface

Use these instructions to log in to the IMM2 web interface.

Notes:

- If you are logging on to the IMM2 for the first time after installation, the IMM2 defaults to Dynamic Host Configuration Protocol (DHCP). If a DHCP host is not available, the IMM2 assigns a static IP address between 192.168.70.101 and 192.168.70.114, depending on the bay in which the compute node is installed.
- You can also assign IP addresses through the CMM **ifconfig** command. For more information about the CMM **ifconfig** command, see the "Flex System Chassis Management Module: Command-Line Interface Reference Guide" at http://pic.dhe.ibm.com/infocenter/flexsys/information/topic/com.ibm.acc.cmm.doc/cli_command_ifconfig.html.

- To assign IP addresses from the CMM web interface, click **Mgt Module Management > Network > Ethernet**.
 - If the CMM and compute nodes are set to use DHCP, and the CMM loses connectivity to the network, the CMM attempts to acquire a new IP address when network connectivity is restored. The compute nodes will not attempt to acquire an IP address again and the compute node continues to use their existing IP addresses. Therefore, if you experience network problems on compute nodes after connectivity between the CMM and the network has been restored, you might need to reset the system-management processor on each of the compute nodes in the chassis (including Flex System Manager management software, if it is installed).
 - The IMM2 user name and password are provisioned through the CMM. To use tools such as Advanced Settings Utility (ASU) for out-of-band communications, you must define local user accounts from the IMM web interface. To define local user accounts from the IMM web interface, click **IMM Management > Users**. The local user accounts are valid only for accessing the IMM web interface on this compute node. However, if you back up the IMM configuration, that backup will not contain the local user accounts that were created from the IMM user interface.
 - The IMM2 logs you out of the web interface if your browser is inactive for the number of minutes that you have specified for the timeout period. To modify the timeout period, from the IMM web interface, click **IMM Management > User > Global Login Settings > General**.
1. Open a web browser and in the **Address** or **URL** field, type the IP address or host name of the IMM2 to which you want to connect. You can determine the IP address or host name by viewing the network access tag (see “Viewing the network access tag” on page 49). The IP address and host name can also be determined by viewing the **Integrated Management Module > Network Configuration** section of the Setup utility (see “Using the Setup utility” on page 29).
 2. On the Login page, type the CMM user name and CMM password. You are then directed to the main page of the IMM2 web interface. If you are using the IMM2 for the first time, you can obtain the user name and password from your system administrator. All login attempts are documented in the IMM event log.

IMM2 action descriptions

This topic provides information about the IMM2 functions available from the web interface.

Navigate to activities you perform with the IMM at the top of the IMM window. The title bar identifies the user name that is logged in, allows you to configure **Settings** for the status screen refresh rate and a custom trespass message, and **Log out** of the IMM web interface. Beneath the title bar are tabs that allow you to access various IMM2 functions, as listed in Table 2 on page 52.

For more information about the IMM2 actions, see <http://www.ibm.com/support/entry/portal/docdisplay?lnidocid=MIGR-5086346>.

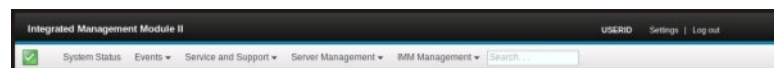


Table 2. IMM2 actions

Tab	Selection	Description
System Status		The System Status page allows you to view system status, active system events, and hardware health information. It provides quick links to the Server Power Actions, and Remote Control functions of the Server Management tab, and allows you to view an image of the last operating-system-failure screen capture.
Events	Event Log	The Event Log page displays entries that are currently stored in the IMM event log. The log includes a text description of system events that are reported, including information about all remote access attempts and configuration changes. All events in the log are time stamped, using the IMM2 date and time settings. Some events also generate alerts, if they are configured to do so. You can sort and filter events in the event log and export them to a text file.
	Event Recipients	The Event Recipients page allows you to manage who will be notified of system events. It allows you to configure each recipient, and manage settings that apply to all event recipients. You can also generate a test event to verify notification feature operation.
Service and Support	Download Service Data	The Download Service Data page creates a compressed file of information that can be used by Support to assist you.
Server Management	Server Firmware	The Server Firmware page displays firmware levels and allows you to update the IMM2 firmware, compute node firmware, and DSA firmware.
	Remote Control	The Remote Control page allows you to control the compute node at the operating system level. It provides access to both Remote Disk and Remote Console functionality. You can view and operate the compute node console from your computer, and you can mount one of your computer disk drives, such as the CD-ROM drive or the diskette drive, on the compute node. When you have mounted a disk, you can use it to restart the compute node and to update firmware on the compute node. The mounted disk appears as a USB disk drive that is attached to the compute node.
	Server Properties	The Server Properties page provides access to various properties, status, and settings for your compute node: <ul style="list-style-type: none"> • The General Settings tab displays information that identifies the system to operations and support personnel. • The LEDs tab displays the status of all system LEDs. It also allows you to change the state of the location LED. • The Hardware Information tab displays compute node vital product data (VPD). The IMM2 collects compute node information, compute node component information, and network hardware information. • The Environmentals tab displays voltage and temperature information for the compute node and the components. • The Hardware Activity tab displays a history of Field Replacable Unit (FRU) components that have been added to or removed from the system.
	Server Power Actions	The Server Power Actions page provides full remote power control over your compute node with power-on, power-off, and restart actions.
	Disks	The Disks page displays the status of hard disk drives in the system. You can click on a drive name to display active events for the hard disk drive.

Table 2. IMM2 actions (continued)

Tab	Selection	Description
Server Management	Processors	The Processors page displays the microprocessors in the system, along with their status and rated speed. You can click on a microprocessor name to display events and additional hardware information for the microprocessor.
	Server Timeouts	The Server Timeouts page allows you to manage compute node start timeouts to detect and recover from compute node hang occurrences.
	PXE Network Boot	The PXE Network Boot page allows you to change the host compute node startup (boot) sequence for the next restart to attempt a Preboot Execution Environment (PXE)/Dynamic Host Configuration Protocol (DHCP) network startup. The host startup sequence will be altered only if the host is not under Privileged Access Protection (PAP).
	Latest OS Failure Screen	The Latest OS Failure Screen page displays a screen image, when available, of the most recent operating system failure on the compute node. For your IMM to capture operating system failure screens, the operating system watchdog must be enabled.
	Scalable Complex	Use the Scalable Complex page to view, create, and manage scalable complexes. A scalable complex allows compute nodes to be grouped into a single partition or multiple partitions.

Table 2. IMM2 actions (continued)

Tab	Selection	Description
IMM Management	IMM Properties	<p>The IMM Properties page provides access to various properties, status, and settings for your IMM2:</p> <ul style="list-style-type: none"> • The Firmware tab provides a link to the Server Firmware section of Server Management. • The IMM Date and Time Settings tab allows you to view and configure date and time settings for the IMM2. • The Serial Port tab configures the IMM2 serial port settings. These settings include the serial port baud rate used by the serial port redirection function and the key sequence to switch between the serial redirection and command-line interface (CLI) modes.
	Users	<p>The Users page allows you to configure the IMM2 login profiles and global login settings, and to view users that are currently logged in to the IMM2. Global login settings include enabling Lightweight Directory Access Protocol (LDAP) compute node authentication, setting the web inactivity timeout, and customizing the account security settings.</p>
	Network	<p>The Network Protocol Properties page provides access to networking properties, status, and settings for your IMM2:</p> <ul style="list-style-type: none"> • The Ethernet tab manages how the IMM2 communicates using Ethernet. • The SNMP tab configures the SNMPv1 and SNMPv3 agents. • The DNS tab configures the DNS compute nodes that the IMM2 interacts with. • The DDNS tab enables or disables and configures Dynamic DNS for the IMM2. • The SMTP tab configures SMTP compute node information used for alerts sent via email. • The LDAP tab configures user authentication for use with one or more LDAP compute nodes. • The Telnet tab manages Telnet access to the IMM2. • The USB tab controls the USB interface used for in-band communication between the compute node and the IMM2. These settings do not affect the USB remote control functions (keyboard, mouse, and mass storage). • The Port Assignments tab allows you to change the port numbers used by some services on the IMM2.

Table 2. IMM2 actions (continued)

Tab	Selection	Description
IMM Management	Security	<p>The IMM Security page provides access to security properties, status, and settings for your IMM2:</p> <ul style="list-style-type: none"> • The HTTPS Server tab allows you to enable or disable the HTTPS compute node and manage the certificates. • The CIM Over HTTPS tab allows you to enable or disable CIM over HTTPS and manage the certificates. • The LDAP Client tab allows you to enable or disable LDAP security and manage the certificates. • The SSH Server tab allows you to enable or disable the SSH compute node and manage the certificates.
	IMM Configuration	<p>The IMM Configuration page displays a summary of the current IMM2 configuration settings. It also provides the following functions:</p> <ul style="list-style-type: none"> • Backup the current IMM2 configuration • Restore a saved IMM2 configuration • Display backup and restoration status • Reset the configuration of the IMM2 to the factory defaults. • Access the IMM2 initial setup wizard <p>Note: Backups that you make from the IMM user interface will not contain any local user accounts that were created from the IMM user interface.</p>
	Restart IMM	The Restart IMM page allows you to reset the IMM.
	Reset IMM to factory defaults...	<p>The Reset IMM to factory defaults... page allows you to reset the configuration of the IMM2 to the factory defaults.</p> <p>Attention: When you click Reset IMM to factory defaults..., all of the modifications that you made to the IMM2 are lost.</p>
	Activation Key Management	The Activation Key Management page allows you to manage activation keys for optional IMM2 or compute node Features on Demand (FoD) features.

Accessing the IMM2 using the LAN over USB interface

Unlike a baseboard management controller, the IMM2 does not require IPMI device drivers or USB daemons for in-band IMM2 communication. Instead, a LAN over USB interface enables in-band communication to the IMM2; the IMM2 hardware on the system board presents an internal Ethernet interface from the IMM2 to the operating system. LAN over USB is also called the *USB in-band interface* in the IMM2 web interface.

The following table shows the IP addresses for the IMM2 and the host.

Table 3. LAN over USB addresses

IMM2 IP address	IMM2 IP subnet mask	Host address	Host subnet	Host subnet mask	Keyboard Controller Style (KCS) address
169.254.95.118	255.255.255.0	169.254.95.120	169.254.95.0/24	255.255.255.0	0x8C80

Potential conflicts with the LAN over USB interface

In some situations, the LAN over USB interface can conflict with certain network configurations, applications, or both. For example, Open MPI attempts to use all the available network interfaces on a server or compute node. Open MPI detects the IMM2 LAN over USB interface and attempts to use it to communicate with other systems in a clustered environment. The LAN over USB interface is an internal interface, so this interface does not work for external communication with other systems in the cluster.

Resolving conflicts with the IMM2 LAN over USB interface

Use any of the following actions to resolve LAN over USB conflicts with network configurations and applications.

About this task

Use one of the following methods to resolve LAN over USB conflicts.

Note: For conflicts with Open MPI, configure the application so that it does not attempt to use this interface.

- Take down the interface (run **ifdown** under Linux).
- Remove the device driver (run **rmmod** under Linux).
- Disable the LAN over USB interface from the CMM web interface.

Note: You cannot update the firmware for a compute node while the LAN over USB interface is disabled. Before updating the firmware, you must re-enable the interface. After updating the firmware, you can disable the interface again.

To disable the LAN over USB interface from the CMM web interface, complete the following steps.

1. Log in to the CMM web interface.
2. From the CMM web interface homepage click **Chassis Management > Compute Nodes**.
3. Click the compute node ID.
4. Click the **General** tab.
5. Uncheck **Enable Ethernet Over USB** to disable the LAN over USB interface.

Configuring the LAN over USB interface

An IMM2 must be configured to use the LAN over USB interface. The firmware update package or Advanced Settings Utility attempts to perform the setup automatically, if needed. If the automatic setup fails or if you prefer to set up the LAN over USB manually, use one of the following processes.

For more information about LAN over USB configuration on different operating systems, see <http://www.ibm.com/support/entry/portal/docdisplay?lnocid=MIGR-5083207>.

Installing the LAN over USB Windows device driver

When you install a Windows operating system, there will be an unknown RNDIS device in the Device Manager. IBM provides a Windows INF file that identifies this device. The signed version of the INF file is included in all of the Windows versions of the IMM2, UEFI, and DSA update packages. Complete the following steps to install `ibm_rndis_server_os.inf`.

Procedure

To install the LAN over USB device driver for Windows, complete the following steps.

Note: You only have to perform these steps if the compute node is running a Windows operating system and the `ibm_rndis_server_os.inf` file has not been previously installed. The file only has to be installed once. It is required by Windows operating systems to detect and use the LAN over USB functionality.

1. Obtain a Windows version of the server or compute node UEFI code package (see “Updating firmware and device drivers” on page 25 for more information).
2. Extract the `ibm_rndis_server_os.inf` and `device.cat` files from the firmware update package and copy them to the `\WINDOWS\inf` subdirectory.

Note: You can use the `-x path` command-line interface option to extract the files. For more information about this option, see the readme file that comes with the update package.

3. (Windows 2003) Install the `ibm_rndis_server_os.inf` file by right-clicking the file and clicking **Install**. This generates a PNF file of the same name in `\WINDOWS\inf`.
(Windows 2008) Click **Computer Management > Device Manager** and find the RNDIS Device. Click **Properties > Driver > Reinstall driver**. Point the server or compute node to the `\Windows\inf` directory where it can find the `ibm_rndis_server_os.inf` file and install the device.
4. Click **Computer Management > Device Manager**. Right-click **Network adapters** and select **Scan for hardware changes**. A small pop-up confirms that the Ethernet device is found and installed. The New Hardware Wizard starts automatically.
5. When you are prompted Can Windows connect to Windows Update to search for software?, select **No, not this time**. Click **Next** to continue.
6. When you are prompted What do you want the wizard to do?, select **Install from a list or specific location (Advanced)**. Click **Next** to continue.
7. When you are prompted Please choose your search and installation options, select **Don't search. I will choose the driver to install**. Click **Next** to continue.
8. When you are prompted Select a hardware type, and then click **Next**, select **Network adapters**. Click **Next** to continue.
9. When you are prompted with the statement Completing the Found New Hardware Wizard, click **Finish**. A new local area connection appears. If the message This connection has limited or no connectivity is displayed, ignore this message.
10. Return to the Device Manager. **IBM USB Remote NDIS Network Device** or **Lenovo USB Remote NDIS Network Device** appears under **Network Adapters**.
11. Use the Setup utility to view or set the IP address. See Table 3 on page 55 for information about the IP addresses.

Attention: Use only the console breakout cable that comes with the compute node. Attempting to connect other console breakout cable types might damage the console breakout cable and the compute node.

- a. Connect a keyboard, monitor, and mouse to the console breakout cable and connect the console breakout cable to the compute node.

- b. Turn on the compute node (see “Turning on the compute node” on page 15).
- c. When the prompt Press <F1> Setup is displayed, press F1. If you have set an administrator password, you must type the administrator password to access the full Setup utility menu. If you do not type the administrator password, a limited Setup utility menu is available.
- d. Select **System Settings** → **Integrated Management Module** → **Network Configuration**.
- e. Locate the IP address.
- f. Exit from the Setup utility.

Installing the LAN over USB Linux device driver

Versions of Linux since RHEL5 Update 3 and SLES10 Service Pack 2 support the LAN over USB interface by default. This interface is detected and displayed during the installation of these operating systems.

See Table 3 on page 55 for information about the IP addresses.

Note: Older Linux distributions might not detect the LAN over USB interface and might require manual configuration. For information about configuring LAN over USB on specific Linux distributions, see <http://www.ibm.com/support/entry/portal/docdisplay?lnocid=MIGR-5083207>.

The IMM2 LAN over USB interface requires that the `usbnet` and `cdc_ether` device drivers be loaded. If the drivers have not been installed, use **modprobe** to install them. When these drivers are installed, the IMM2 USB network interface is shown as a network device in the operating system. To discover the name that the operating system has assigned to the IMM2 USB network interface, type

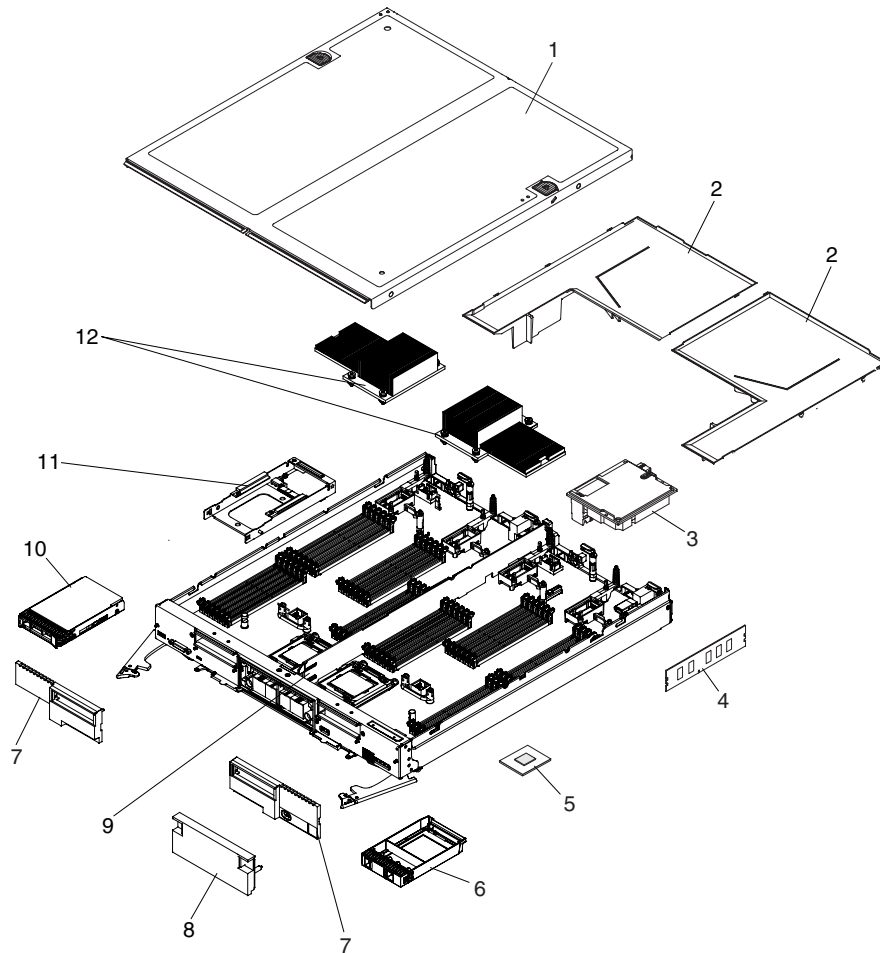
```
dmesg | grep -i cdc ether
```

Chapter 5. Parts listing, Types 7903 and 4259

The following replaceable components are available for the Flex System x280 X6, x480 X6, and x880 X6 Compute Node Types 7903 and 4259.

For an updated parts listing on the web, go to <http://www.ibm.com/supportportal>.

Note: The illustrations in this document might differ slightly from your hardware.



Replaceable components consist of Tier 1 customer replaceable units (CRUs) and field replaceable units (FRUs):

- **Tier 1 customer replaceable unit (CRU):** Replacement of Tier 1 CRUs is your responsibility. If Lenovo installs a Tier 1 CRU at your request without a service contract, you will be charged for the installation.
- **Field replaceable unit (FRU):** FRUs must be serviced only by trained service technicians.

For information about the terms of the warranty and getting service and assistance, see the *Warranty Information* document.

Index	Description	Tier 1 CRU part number	FRU part number
1	Top cover (when ordering this part, order the Label Kit part number 00AG903)	00AG908	
2	Air baffle kit	00AG905	
3	Flex System FC3172 2-port 8 Gb FC Adapter	69Y1941	
3	Flex System IB6132 2-port FDR Infiniband Adapter	00D8532	
3	Flex System EN4132 2-port 10 Gb Ethernet Adapter	00D8534	
3	Flex System EN2024 4-port 1 Gb Ethernet Adapter	49Y7902	
3	Flex System FC3052 2-Port 8 Gb FC Adapter	95Y2378	
3	Flex System FC5172 2-Port 16 Gb FC Adapter	69Y1945	
3	Flex System CN4022 2-Port 10 Gb Converged Network Adapter	88Y5922	
3	Flex System EN6132 2-Port 40 Gb Ethernet Adapter	90Y3485	
3	Flex System CN4054R 10 Gb Virtual Fabric Adapter	00Y3309	
3	Flex System FC5052 2-Port 16 Gb FC Adapter	95Y2389	
3	Flex System FC5054 4-Port 16 Gb FC Adapter	95Y2394	
3	Flex System FC5022 2-Port 16 Gb FC Adapter	95Y2396	
3	Flex System CN4058 8-Port 10 Gb Virtual Fabric Adapter	94Y5163	
4	Memory, 64 GB 8R x 4 4 Gbit DDR-3 1333 MHz 1.35V LP LRDIMM	46W0743	
4	Memory, 4 GB 1R x 4 2 Gbit DDR-3 1600 MHz 1.35 LP RDIMM	00D5026	
4	Memory, 8 GB 1R x 4 4 Gbit DDR-3 1600 MHz 1.35 LP RDIMM	00D5038	
4	Memory, 16 GB 2R x 4 4 Gbit DDR-3 1600 MHz 1.35V LP RDIMM (Type 7903 models A2x, B2x, C2x, D2x, F2x, G2x, H2x, J2x, L2x, M2x, N2x, Q2x, R2x) (Type 4259 models A2x, D2x, N2x)	46W0674	
4	Memory, 32 GB 4R x 4 4 Gbit DDR-3 1600 MHz 1.35V LP LRDIMM	46W0678	
5	Intel Xeon Processor E7-2850V2 12C 2.3 GHz 24 MB Cache 1600 MHz 105W (Type 7903 A2x) (Type 4259 A2x)		00Y3968
5	Intel Xeon Processor E7-2870V2 15C 2.3 GHz 30 MB Cache 1600 MHz 130W		00Y3974
5	Intel Xeon Processor E7-2880V2 15C 2.5 GHz 37.5 MB Cache 1600 MHz 130W (Model B2x)		00Y3980
5	Intel Xeon Processor E7-2890V2 15C 2.8 GHz 37.5 MB Cache 1600 MHz 155W (Model C2x)		00Y3986
5	Intel Xeon Processor E7-4809V2 6C 1.9 GHz 12MB Cache 1333 MHz 105W (Type 7903 D2x) (Type 4259 D2x)		44X3963
5	Intel Xeon Processor E7-4820V2 8C 2.0 GHz 16 MB Cache 1600 MHz 105W (Model F2x)		44X3968
5	Intel Xeon Processor E7-4830V2 10C 2.2 GHz 20 MB Cache 1600 MHz 105W (Model G2x)		44X3973
5	Intel Xeon Processor E7-4850V2 12C 2.3 GHz 24 MB Cache 1600 MHz 105W (Model H2x)		44X3978
5	Intel Xeon Processor E7-4860V2 12C 2.6 GHz 30MB Cache 1600 MHz 130W		44X3983
5	Intel Xeon Processor E7-4870V2 15C 2.3 GHz 30 MB Cache 1600 MHz 130W (Model J2x)		44X3988

Index	Description	Tier 1 CRU part number	FRU part number
5	Intel Xeon Processor E7-4880V2 15C 2.5 GHz 37.5 MB Cache 1600 MHz 130W (Model L2x)		44X3993
5	Intel Xeon Processor E7-4890V2 15C 2.8 GHz 37.5 MB Cache 1600 MHz 155W (Model M2x)		44X3998
5	Intel Xeon Processor E7-8850V2 12C 2.3 GHz 24 MB Cache 1600 MHz 105W (Type 7903 N2x) (Type 4259 N2x)		44X4003
5	Intel Xeon Processor E7-8893V2 6C 3.4 GHz 37.5 MB Cache 1600 MHz 155W (Model RDx)		44X4008
5	Intel Xeon Processor E7-8870V2 15C 2.3 GHz 30 MB Cache 1600 MHz 130W		44X4013
5	Intel Xeon Processor E7-8880V2 15C 2.5 GHz 37.5 MB Cache 1600 MHz 130W (Model Q2x)		44X4018
5	Intel Xeon Processor E7-8890V2 15C 2.8 GHz 37.5 MB Cache 1600 MHz 155W (Model R2x)		44X4023
5	Intel Xeon Processor E7-8891V2 10C 3.2 GHz 37.5 MB Cache 1600 MHz 155W		44X4028
5	Intel Xeon Processor E7-8857V2 12C 3.0 GHz 30 MB Cache 1600 MHz 130W		44X4033
5	Intel Xeon Processor E7-8880LV2 12C 3.0 GHz 30 MB Cache 1600 MHz 130W		44X4038
6	Filler, 2.5 inch hard disk drive bay	00FW856	
7	Bezel, front assembly kit	00AG909	
8	SMP filler	00AG911	
9	Center partition	00AG904	
10	Hard disk drive, 500 GB 7.2K NL 6 Gbps SAS 2.5 inch G3 hot-swap	00AJ122	
10	Hard disk drive, 1 TB 7.2K NL 6 Gbps SAS 2.5 inch G3 hot-swap	00AJ087	
10	Hard disk drive, 300 GB 10K 6 Gbps SAS 2.5 inch G3 hot-swap	00AJ097	
10	Hard disk drive, 600 GB 10K 6 Gbps SAS 2.5 inch G3 hot-swap	00AJ092	
10	Hard disk drive, 900 GB 10K 6 Gbps SAS 2.5 inch G3 hot-swap	00AJ072	
10	Hard disk drive, 1.2 TB 10K 6 Gbps SAS 2.5 inch G3 hot-swap	00AJ147	
10	Hard disk drive, 146 GB 15K 6 Gbps SAS 2.5 inch G3 hot-swap	00AJ112	
10	Hard disk drive, 300 GB 15K 6 Gbps SAS 2.5 inch G3 hot-swap	00AJ082	
10	Hard disk drive, 600 GB 15K 6 Gbps SAS 2.5 inch G3 hot-swap	00AJ127	
10	Hard disk drive, 250 GB 7.2K NL 6 Gbps SATA 2.5 inch G3 hot-swap	00AJ132	
10	Hard disk drive, 500 GB 7.2K NL 6 Gbps SATA 2.5 inch G3 hot-swap	00AJ137	
10	Hard disk drive, 1 TB 7.2K NL 6 Gbps SATA 2.5 inch G3 hot-swap	00AJ142	
10	Self encrypting drive, 146 GB 15K 6 Gbps SAS 2.5 inch G3 hot-swap	00AJ117	
10	Self encrypting drive, 300 GB 10K 6 Gbps SAS 2.5 inch G3 hot-swap	00AJ107	
10	Self encrypting drive, 600 GB 10K 6 Gbps SAS 2.5 inch G3 hot-swap	00AJ102	
10	Self encrypting drive, 900 GB 10K 6 Gbps SAS 2.5 inch G3 hot-swap	00AJ077	
10	Self encrypting drive, 1.2 TB 10K 6 Gbps SAS 2.5 inch G3 hot-swap	00AJ152	
11	Hard Disk Drive Backplane, SAS single 2.5 inch (Type 7903 models A2x, B2x, C2x, D2x, F2x, G2x, H2x, J2x, L2x, M2x, N2x, Q2x, R2x) (Type 4259 models A2x, D2x, N2x)	00Y3878	

Index	Description	Tier 1 CRU part number	FRU part number
12	Heat sink, microprocessor	00AG887	
	2 GB USB Memory Key	42D0545	
	Alcohol wipes	59P4739	
	Flex System console breakout cable (models AC1, MC1, CTO)	81Y5287	
	Light path LED card	81Y5290	
	RFID label tag assembly - EMEA	00E6323	
	RFID label tag assembly - US	74Y8800	
	Thermal grease kit	41Y9292	
	Adapter connector retention kit	00AG916	
	Base assembly (includes chassis and system board) (Type 7903 models A2x, B2x, C2x, D2x, F2x, G2x, H2x, J2x, L2x, M2x, N2x, Q2x, R2x) (Type 4259 models A2x, D2x, N2x)		47C2240
	Fabric connector (Type 4259, model D4x) (Type 7903, model A4x, B4x, C4x, D4x, F4x, G4x, H4x, J4x, L4x, M4x, N4x, Q4x, R4x, RDx)	81Y5175	
	Solid state drive, S3700 200 GB 6 Gbps SAS 2.5 inch G3 hot-swap	00AJ157	
	Solid state drive, S3700 400 GB 6 Gbps SAS 2.5 inch G3 hot-swap	00AJ162	
	Solid state drive, S3700 800 GB 6 Gbps SAS 2.5 inch G3 hot-swap	00AJ167	
	Solid state drive, 200 GB SAS 2.5 inch Enterprise MLC G3 hot-swap	00AJ208	
	Solid state drive, 400 GB SAS 2.5 inch Enterprise MLC G3 hot-swap	00AJ213	
	Solid state drive, 800 GB SAS 2.5 inch Enterprise MLC G3 hot-swap	00AJ218	
	Solid state drive, 1.6 TB SAS 2.5 inch Enterprise MLC G3 hot-swap	00AJ223	
	Solid state drive, 120 GB SATA 2.5 inch Enterprise MLC G3 hot-swap	00AJ396	
	Solid state drive, 240 GB SATA 2.5 inch Enterprise MLC G3 hot-swap	00AJ401	
	Solid state drive, 480 GB SATA 2.5 inch Enterprise MLC G3 hot-swap	00AJ406	
	Solid state drive, 800 GB SATA 2.5 inch Enterprise MLC G3 hot-swap	00AJ411	
	Solid state drive, S3700 200 GB SATA 1.8 inch Enterprise MLC G3 hot-swap	41Y8367	
	Solid state drive, S3700 400 GB SATA 1.8 inch Enterprise MLC G3 hot-swap	41Y8372	
	Solid state drive, S3500 80 GB SATA 1.8 inch Enterprise Value MLC G3 hot-swap	00AJ041	
	Solid state drive, S3500 240 GB SATA 1.8 inch Enterprise Value MLC G3 hot-swap	00AJ046	
	Solid state drive, S3500 800 GB SATA 1.8 inch Enterprise ValueMLC G3 hot-swap	00AJ456	
	Solid state drive, S3500 400 GB SATA 1.8 inch Enterprise ValueMLC G3 hot-swap	00AJ051	
	Flex System x480 X6 4-Socket Scalability Connector	00Y3872	
	Flex System x880 X6 8-Socket Scalability Connector	00Y3875	
	Label Kit	00AG903	
	Microprocessor installation tool	94Y9971	
	Miscellaneous parts kit	00AG910	
	CMOS battery, 3.0 volt (all models)	33F8354	

Index	Description	Tier 1 CRU part number	FRU part number
	CRM handle kit	00AG915	
	Rear bulkhead assembly full wide	46M2833	
	1.8-inch SSD cage (includes two mounting sleeves and two SSD bezels)	00AG919	
	ServeRAID M1200 Series 1.8-inch SSD backplane	00AG922	
	ServeRAID M5100 1.8-inch drive cage	00Y3881	
	ServeRAID M5100 Series flex paddle card and cable assembly	00FE033	
	ServeRAID M5100 Series air baffle kit (includes left air baffle, right air baffle, and center partition)	00AG934	
	ServeRAID M5100 Series power cable	00AF857	
	ServeRAID M5100 Series solid state drive Flex expansion cable	00D5078	
	ServeRAID M5100 Series flash power module	00JY023	
	ServeRAID M5115 SAS/SATA RAID Controller	47C8806	

Chapter 6. Troubleshooting

Use this information to diagnose and correct problems that might occur in your Flex System x280 X6, x480 X6, and x880 X6 Compute Node Types 7903 and 4259.

The information in this section describes tools and procedures for solving hardware and software problems. If you cannot diagnose and correct a problem by using the information, see “Getting help and technical assistance,” on page 773 for more information.

Service bulletins

Lenovo continually updates the support website with tips and techniques that you can use to solve problems that you might have with the Flex System x280 X6, x480 X6, and x880 X6 Compute Node Types 7903 and 4259.

To find service bulletins that are available for the Flex System x280 X6, x480 X6, and x880 X6 Compute Node Types 7903 and 4259, go to <http://www.ibm.com/supportportal> and search for the terms 7903 or 4259 and retain.

Diagnostic tools

Use this information to review the diagnostic tools to diagnose and solve hardware-related problems.

Light path diagnostics

Use this information as an overview of light path diagnostics.

Light path diagnostics is a system of LEDs above the control panel and on various internal components of the compute node. When an error occurs, LEDs can be lit throughout the compute node to help identify the source of the error.

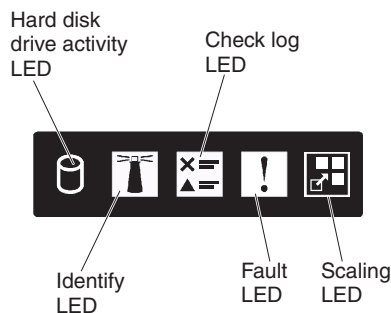
Viewing the light path diagnostics LEDs

Use this information to locate and identify the light path diagnostics LEDs.

Before you work inside the compute node to view light path diagnostics LEDs, read “Safety” on page v and “Installation guidelines” on page 699.

If an error occurs, view the light path diagnostics LEDs in the following order:

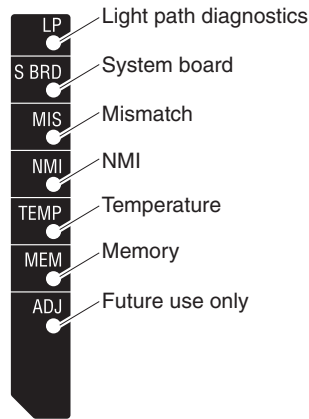
1. Look at the control panel on the front of the compute node.



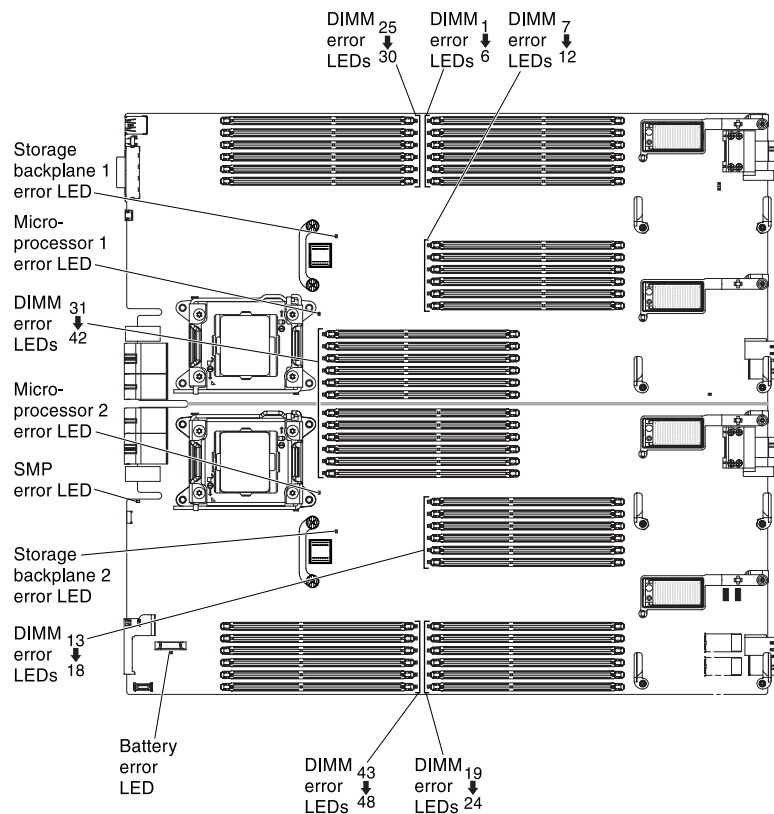
- If the check log LED is lit, it indicates that a condition that causes an event to log in the IMM event log has occurred.
 - If the fault LED is lit, it indicates that an error has occurred; view the light path diagnostics panel and LEDs to isolate the failing component.
2. To view the light path diagnostics LEDs, select one of the following procedures:
- You can view the LEDs through the CMM **led** command, the CMM web interface, or Flex System Manager management software.
 - For more information about the CMM **led** command, see the "Flex System Chassis Management Module: Command-Line Interface Reference Guide" at http://pic.dhe.ibm.com/infocenter/flexsys/information/topic/com.ibm.acc.cmm.doc/cli_command_led.html.
 - From the CMM web interface, select **Compute Nodes** from the Chassis Management menu. For more information, see the "Flex System Chassis Management Module: User's Guide" at http://pic.dhe.ibm.com/infocenter/flexsys/information/topic/com.ibm.acc.cmm.doc/cmm_user_guide.html. All fields and options are described in the CMM web interface online help. See Starting the web interface in the "Flex System Chassis Management Module: User's Guide" at http://pic.dhe.ibm.com/infocenter/flexsys/information/topic/com.ibm.acc.cmm.doc/cmm_ug_startwebinterface.html for information about starting the CMM web interface.
 - For more information about Flex System Manager management software, see the "Flex System Manager Software: Installation and Service Guide" at http://pic.dhe.ibm.com/infocenter/flexsys/information/topic/com.ibm.acc.8731.doc/product_page.html.
 - If you are in the same location as the compute node, you can complete the following steps:
 - a. Remove the compute node from the Flex System chassis, (see "Removing a compute node from a chassis" on page 701 for instructions).
 - b. Carefully lay the compute node on a flat, static-protective surface.
 - c. Open the compute node cover (see "Removing the compute node cover" on page 715 for instructions).
 - d. Remove the air baffles that are installed over the DIMM connectors.
 - e. Press the power button. When you press the power button, LEDs on the light path diagnostics panel and the system board will be lit if there are any hardware-related issues.

Note: The power source for light path diagnostics is designed to last only a short time. If you press the power button and the light path diagnostics LED lights, light path diagnostics is charged to light the LEDs.

The following illustration shows the LEDs on the light path diagnostics panel.



The following illustration shows the locations of the light path diagnostics LEDs on the system board.



Light path diagnostics LEDs

Use this information to diagnose possible errors that are indicated by the light path diagnostics LEDs.

The following table describes the LEDs on the light path diagnostics panel and the light path diagnostics LEDs on the system board. LEDs on the light path diagnostics panel are visible from the top of the compute node. See “Viewing the light path diagnostics LEDs” on page 65 for information about lighting the LEDs.

Table 4. Light path diagnostics LEDs

Lit light path diagnostics LED	Description
None	The compute node is not sufficiently charged to display the LEDs on the system board.
Battery error	The system CMOS battery is not installed or is not working.
BMC error	Future use only.
DC power error	Future use only.
DIMM <i>x</i> error	A memory error occurred.
Light path diagnostics	The power source for the light path diagnostics LEDs is charged.
Light path diagnostics only	No errors have occurred.
Memory	A memory error has occurred.
Microprocessor <i>x</i> error	The IMM2 lights this LED when a microprocessor has failed or overheated or the start microprocessor (CPU 1) is missing. The fault LED on the front panel is also lit.
Mismatch	The microprocessors are mismatched. If the Memory LED is also lit, the DIMMs are mismatched.
NMI	The system board has failed.
SAS/SATA backplane error	A hard disk drive backplane error has occurred.
System board	The system board has failed.
Temperature	The system temperature has exceeded a threshold level.

IMM event log

Use this information as an overview of the IMM event log.

The integrated management module II (IMM2) consolidates the system-management processor functionality, video controller, and remote presence capabilities in a single chip on the system board. The IMM2 monitors all components of the compute node and posts events in the IMM event log. In addition, most events are also sent to the Chassis Management Module event log. You can view the IMM event log through the Dynamic System Analysis (DSA) program (as the ASM event log).

To diagnose and resolve IMM error codes, see “IMM messages” on page 179.

Viewing event logs through the Setup utility

You can view the IMM and POST events through the Setup utility.

Procedure

To view the POST event log or system-event log, complete the following steps:

1. Connect a keyboard, monitor, and mouse to the console breakout cable and connect the console breakout cable to the compute node.

Attention: Use only the console breakout cable that comes with the compute node. Attempting to connect other console breakout cable types might damage the console breakout cable and the compute node.

2. Turn on the compute node.

3. When the prompt <F1> Setup is displayed, press F1. If you have set both a power-on password and an administrator password, you must type the administrator password to view the event logs.
4. Select **System Event Logs** and use one of the following procedures:
 - To view the POST event log, select **POST Event Viewer**.
 - To view the system-event log, select **System Event Log**.

Viewing event logs without restarting the compute node

Methods are available for you to view one or more event logs without having to restart the compute node.

You can view the Chassis Management Module event log in the Flex System Manager Chassis Manager, or through the **Event Log** link in Flex System Manager management software. For more information about Flex System Manager management software, see the "Flex System Manager Software: Installation and Service Guide" at http://pic.dhe.ibm.com/infocenter/flexsys/information/topic/com.ibm.acc.8731.doc/product_page.html.

You can also view the Chassis Management Module event log through the **Event Log** link by using the CMM **displaylog** command or the CMM web interface.

Note: If event IDs are not currently displayed in the Event Log page, you can enable them. To do so, click **Filter Events** and select the **Event ID** check box under **Visible columns**.

- For more information about the CMM **displaylog** command, see the "Flex System Chassis Management Module: Command-Line Interface Reference Guide" at http://pic.dhe.ibm.com/infocenter/flexsys/information/topic/com.ibm.acc.cmm.doc/cli_command_displaylog.html.
- From the CMM web interface, select **Event Log** from the Events menu. You can also view events and their messages by clicking the **Active Events** tab on the System Status page. For more information, see the "Flex System Chassis Management Module: User's Guide" at http://pic.dhe.ibm.com/infocenter/flexsys/information/topic/com.ibm.acc.cmm.doc/cmm_user_guide.html. All fields and options are described in the CMM web interface online help.

Note: If event IDs are not currently displayed in the Event Log page, you can enable them. To do so, click **Filter Events** and select the **Event ID** check box under **Visible columns**.

If you have installed DSA Portable Edition, you can use it to view the system-event log (as the IPMI event log), the operating-system event logs, or the merged DSA log. You can also use DSA Preboot to view these logs, although you must restart the compute node to use DSA Preboot. To install Portable DSA or DSA Preboot or to download a DSA Preboot CD image, go to <http://www.ibm.com/support/entry/portal/docdisplay?lnocid=SERV-DSA>.

If IPMItool is installed in the compute node, you can use it to view the system-event log. Most recent versions of the Linux operating system come with a current version of IPMItool. For information about IPMItool, complete the following steps.

Note: Changes are made periodically to the Lenovo website. The actual procedure might vary slightly from what is described in this document.

1. Go to <http://www.ibm.com/developerworks>.

2. Click **Linux**.
3. Click the **Linux blueprints** tab.
4. Click **Blueprints for Linux on IBM systems** or **Blueprints for Linux on Lenovo systems**, and then click **Using Intelligent Platform Management Interface (IPMI) on IBM Linux platforms** or **Using Intelligent Platform Management Interface (IPMI) on Lenovo Linux platforms**.

The following table describes the methods that you can use to view the event logs, depending on the condition of the compute node. The first two conditions generally do not require that you restart the compute node.

Table 5. Methods for viewing event logs

Condition	Action
The compute node is not hung and is connected to a network.	Use any of the following methods: <ul style="list-style-type: none"> • In a web browser, type the IP address of the Chassis Management Module and go to the Event Log page. • Run Portable or Installable DSA to view the event logs or create an output file that you can send to Support. • Use IPMItool to view the system-event log.
The compute node is not hung and is not connected to a network.	Use IPMItool locally to view the system-event log.
The compute node is hung.	Use any of the following methods: <ul style="list-style-type: none"> • If DSA Preboot is installed, restart the compute node and press F2 to start DSA Preboot and view the event logs. • If DSA Preboot is not installed, insert the DSA Preboot CD and restart the compute node to start DSA Preboot and view the event logs. • Alternatively, you can restart the compute node and press F1 to start the Setup utility and view the POST event log or system-event log. For more information, see “Viewing event logs through the Setup utility” on page 68.

Lenovo Dynamic System Analysis Preboot diagnostic program

Lenovo Dynamic System Analysis (DSA) Preboot diagnostic program collects and analyzes system information to aid in diagnosing compute node problems.

DSA Preboot performs the following tasks:

- Collects system information into a compressed XML file that you can send to Support
- Provides a bootable image that you can use to run extended hardware tests independent of the operating system or applications
- Collects the version and license information from local VMware ESXi hypervisor software

Notes:

1. DSA Preboot might appear to be unresponsive when you start the program. This is normal operation while the program loads.
2. In a multi-node complex, each node has a unique DSA interface. You can view node-specific information, such as error logs, from the unique DSA interface.

To obtain DSA code and the *Dynamic System Analysis Installation and User's Guide*, go to <http://www.ibm.com/support/entry/portal/docdisplay?lnocid=SERV-DSA>.

To diagnose and resolve DSA messages, see "DSA diagnostic test results" on page 72.

Running DSA Preboot

Use this information to run DSA Preboot.

About this task

To run the DSA Preboot diagnostic programs, complete the following steps:

1. If the compute node is turned on, turn off the compute node (see "Turning off the compute node" on page 16).

Attention: Use only the console breakout cable that comes with the compute node. Attempting to connect other console breakout cable types might damage the console breakout cable and the compute node.

2. If necessary, connect a keyboard, monitor, and mouse to the console breakout cable and connect the console breakout cable to the compute node.
3. Turn on the compute node (see "Turning on the compute node" on page 15).
4. When the prompt <F2> Diagnostics is displayed, press F2.

Note: DSA Preboot might appear to be unresponsive for an unusual length of time when you start the program. This is normal operation while the program loads.

5. Select **Quit** from the actions available on the Memory Test screen. You must exit the Memory Test screen before you can restart the compute node and start DSA.

Note: After you exit the Memory Test screen, you must restart the compute node to access the stand-alone memory diagnostic environment again.

6. Enter `gui` to start the DSA graphical user interface, or select `cmd` to display the DSA interactive menu.
7. From the diagnostic programs screen, select the test that you want to run, and follow the instructions on the screen. For additional information, see the *Dynamic System Analysis Installation and User's Guide*, which is available at <http://www.ibm.com/support/entry/portal/docdisplay?lnocid=SERV-DSA>.

Help for DSA is available. For help about the DSA CLI, enter `help` in the command line. For help with the DSA user interface, press F1. Pressing F1 within a help panel displays additional online documentation.

Diagnostic text messages

Use this information to understand the diagnostic text messages that are displayed while the tests are running.

A diagnostic text message contains one of the following results:

- **Passed:** The test was completed without any errors.

- **Failed:** The test detected an error.
- **User Aborted:** You stopped the test before it was completed.
- **Not Applicable:** You attempted to test a device that is not present in the compute node.
- **Aborted:** The test could not proceed because of the compute node configuration.
- **Warning:** The test could not be run. There was no failure of the hardware that was being tested, but there might be a hardware failure elsewhere, or another problem prevented the test from running; for example, there might be a configuration problem, or the hardware might be missing or is not being recognized.

The result is followed by an error code or other additional information about the error.

Viewing the test results

Use this information to view the test results.

About this task

You can use one of the following methods to access the test log when the tests are completed:

- From the DSA command line, issue the DSA CLI View command or select the **Diagnostic Event Log** option from the DSA graphical user interface (GUI).
- From the DSA interactive menu, select the **getextendedresults** option.
- From the DSA interactive menu, select the **View** option to view all of the collected results and error log data.
- In the DSA GUI, select **DSA Error Log** from the System Information page.

You can send the DSA error log file to Support to aid in diagnosing the compute node problems, or you can use the DSA CLI copy command to copy the log to an external USB device.

DSA diagnostic test results

After running the DSA diagnostic tests, use this information to resolve any issues that were found.

DSA CPU stress test results

The following messages can result when you run the CPU stress test.

089-000-000 CPU Stress Test Passed

Explanation: CPU Stress Test Passed.

Severity: Event

Serviceable: No

Recoverable: No

Automatically notify Support: No

Related Links:

- IBM Support Website
- Latest level of DSA
- Latest level of BMC/IMM

089-801-000 CPU Stress Test Aborted

Explanation: CPU Stress Test Aborted. Internal Program Error.

Severity: Warning

Serviceable: Yes

Recoverable: No

Automatically notify Support: No

User response: Complete the following steps:

1. Turn off and restart the system.
2. Make sure that the DSA Diagnostic code is at the latest level.
3. Run the test again.
4. Check system firmware level and upgrade if necessary. The installed firmware level can be found in the DSA Diagnostic Event Log within the Firmware/VPD section for this component. The latest level firmware for this component can be found in reference to this system type at the IBM Support website: <http://www.ibm.com/support/docview.wss?uid=psg1MIGR-4JTS2T>.
5. Run the test again.
6. If the system has stopped responding, turn off and restart the system and then run the test again.
7. If failure remains, refer to "Troubleshooting by symptom" in the system "Installation and Service Guide" for the next corrective action.

Related Links:

- IBM Support Website
- Latest level of DSA
- Latest level of BMC/IMM

089-802-000 CPU Stress Test Aborted

Explanation: CPU Stress Test Aborted. System resource unavailability error.

Severity: Warning

Serviceable: Yes

Recoverable: No

Automatically notify Support: No

User response: Complete the following steps:

1. Turn off and restart the system.
2. Make sure that the DSA Diagnostic code is at the latest level.
3. Run the test again.
4. Check system firmware level and upgrade if necessary. The installed firmware level can be found in the DSA Diagnostic Event Log within the Firmware/VPD section for this component.
5. Run the test again.
6. If the system has stopped responding, turn off and restart the system and then run the test again.
7. If failure remains, refer to "Troubleshooting by symptom" in the system "Installation and Service Guide" for the next corrective action.

Related Links:

- IBM Support Website
 - Latest level of DSA
 - Latest level of BMC/IMM
-

089-803-000 CPU Stress Test Aborted

Explanation: CPU Stress Test Aborted. Memory size is insufficient to run the test. At least 1GB is required.

Severity: Warning

Serviceable: Yes

Recoverable: No

Automatically notify Support: No

Related Links:

- IBM Support Website
 - Latest level of DSA
 - Latest level of BMC/IMM
-

089-804-000 CPU Stress Test Aborted

Explanation: CPU Stress Test Aborted. User pressed Ctrl-C.

Severity: Warning

Serviceable: Yes

Recoverable: No

Automatically notify Support: No

Related Links:

- IBM Support Website
 - Latest level of DSA
 - Latest level of BMC/IMM
-

089-901-000 CPU Stress Test Failed

Explanation: CPU Stress Test Failed.

Severity: Error

Serviceable: Yes

Recoverable: No

Automatically notify Support: No

User response: Complete the following steps:

1. If the system has stopped responding, turn off and restart the system and then run the test again.
2. Make sure that the DSA Diagnostic code is at the latest level.
3. Run the test again.
4. Check system firmware level and upgrade if necessary. The installed firmware level can be found in the DSA Diagnostic Event Log within the Firmware/VPD section for this component.
5. Run the test again.
6. If the system has stopped responding, turn off and restart the system and then run the test again.
7. If failure remains, refer to "Troubleshooting by symptom" in the system "Installation and Service Guide" for the next corrective action.

Related Links:

- IBM Support Website
- Latest level of DSA
- Latest level of BMC/IMM

DSA memory stress test results

The following messages can result when you run the memory stress test.

202-000-000 MemStr Test Passed

Explanation: Test Passed.

Severity: Event

Serviceable: No

Recoverable: No

Automatically notify Support: No

Related Links:

- IBM Support Website
- Latest level of DSA
- Latest level of BMC/IMM

202-801-000 MemStr Test Aborted

Explanation: Internal program error.

Severity: Warning

Serviceable: Yes

Recoverable: No

Automatically notify Support: No

User response: Complete the following steps:

1. Turn off and restart the system.
2. Make sure that the DSA Diagnostic code is at the latest level.
3. Run the test again.
4. If the system has stopped responding, turn off and restart the system.
5. Check the system firmware level and upgrade if necessary.
6. Run the memory diagnostic to identify the specific failing DIMM.
7. If the failure remains, refer to "Troubleshooting by symptom" in the system "Installation and Service Guide" for the next corrective action.

Related Links:

- IBM Support Website
- Latest level of DSA
- Latest level of BMC/IMM

202-802-000 MemStr Test Aborted

Explanation: Memory size is insufficient to run the test. At least 1 GB is required.

Severity: Warning

Serviceable: Yes

Recoverable: No

Automatically notify Support: No

Related Links:

- IBM Support Website
 - Latest level of DSA
 - Latest level of BMC/IMM
-

202-803-000 MemStr Test Aborted

Explanation: User pressed Ctrl-C.

Severity: Warning

Serviceable: Yes

Recoverable: No

Automatically notify Support: No

Related Links:

- IBM Support Website
 - Latest level of DSA
 - Latest level of BMC/IMM
-

202-901-000 MemStr Test Failed

Explanation: Test Failed.

Severity: Error

Serviceable: Yes

Recoverable: No

Automatically notify Support: No

User response: Complete the following steps:

1. Execute the standard DSA memory diagnostics to validate all memory.
2. Make sure that the DSA Diagnostic code is at the latest level.
3. Turn off the system and disconnect it from power.
4. Reseat the memory cards and DIMMs.
5. Reconnect the system to power and turn the system on.
6. Run the test again.
7. Execute the standard DSA memory diagnostics to validate all memory.
8. If the failure remains, refer to "Troubleshooting by symptom" in the system "Installation and Service Guide" for the next corrective action.

Related Links:

- IBM Support Website
 - Latest level of DSA
 - Latest level of BMC/IMM
-

202-902-000 MemStr Test Failed

Explanation: Memory size is insufficient to run the test.

Severity: Error

Serviceable: Yes

Recoverable: No

Automatically notify Support: No

User response: Complete the following steps:

1. Ensure that all memory is enabled by checking the "Available System Memory" in the "Resource Utilization" section of the DSA Diagnostic Event log.
2. If necessary, access the Configuration/Setup Utility program by pressing F1 during system boot and enable all memory.
3. Make sure that the DSA Diagnostic code is at the latest level.

4. Run the test again.
5. Execute the standard DSA memory diagnostics to validate all memory.
6. If the failure remains, refer to "Troubleshooting by symptom" in the system "Installation and Service Guide" for the next corrective action.

Related Links:

- IBM Support Website
- Latest level of DSA
- Latest level of BMC/IMM

DSA memory isolation test results

The following messages can result when you run the memory isolation test.

201-000-000 Standalone Memory Test Passed

Explanation: Quick/Full Memory Test All CPUs Passed.

Severity: Event

Serviceable: No

Recoverable: No

Automatically notify Support: No

Related Links:

- IBM Support Website
- Latest level of DSA
- Latest level of BMC/IMM

201-000-001 Standalone Memory Test Passed

Explanation: Quick/Full Memory Test CPU 1 Passed.

Severity: Event

Serviceable: No

Recoverable: No

Automatically notify Support: No

Related Links:

- IBM Support Website
- Latest level of DSA
- Latest level of BMC/IMM

201-000-002 Standalone Memory Test Passed

Explanation: Quick/Full Memory Test CPU 2 Passed.

Severity: Event

Serviceable: No

Recoverable: No

Automatically notify Support: No

Related Links:

- IBM Support Website
- Latest level of DSA
- Latest level of BMC/IMM

201-000-003 Standalone Memory Test Passed

Explanation: Quick/Full Memory Test CPU 3 Passed.

Severity: Event

Serviceable: No

Recoverable: No

Automatically notify Support: No

Related Links:

- IBM Support Website
 - Latest level of DSA
 - Latest level of BMC/IMM
-

201-000-004 Standalone Memory Test Passed

Explanation: Quick/Full Memory Test CPU 4 Passed.

Severity: Event

Serviceable: No

Recoverable: No

Automatically notify Support: No

Related Links:

- IBM Support Website
 - Latest level of DSA
 - Latest level of BMC/IMM
-

201-811-000 Standalone Memory Test Aborted

Explanation: Unable to Locate SMBIOS key "_SM_".

Severity: Warning

Serviceable: No

Recoverable: No

Automatically notify Support: No

User response: Complete the following steps:

1. Perform the actions mentioned one at a time and try the test after each action.
2. If the problem remains, contact your technical-service representative.
3. Turn off the system and disconnect it from power. Wait for 45 seconds. Reseat DIMM(s). Reconnect it to power.
4. Make sure that DSA and BIOS/uEFI are at the latest level.

Related Links:

- IBM Support Website
 - Latest level of DSA
 - Latest level of BMC/IMM
-

201-811-001 Standalone Memory Test Aborted

Explanation: Unable to Locate SMBIOS key "_SM_".

Severity: Warning

Serviceable: No

Recoverable: No

Automatically notify Support: No

User response: Complete the following steps:

1. Perform the actions mentioned one at a time and try the test after each action.
2. If the problem remains, contact your technical-service representative.
3. Turn off the system and disconnect it from power. Wait for 45 seconds. Reseat DIMM(s). Reconnect it to power.
4. Make sure that DSA and BIOS/uEFI are at the latest level.

Related Links:

- IBM Support Website
 - Latest level of DSA
 - Latest level of BMC/IMM
-

201-811-002 Standalone Memory Test Aborted

Explanation: Unable to Locate SMBIOS key "_SM_".

Severity: Warning

Serviceable: No

Recoverable: No

Automatically notify Support: No

User response: Complete the following steps:

1. Perform the actions mentioned one at a time and try the test after each action.
2. If the problem remains, contact your technical-service representative.
3. Turn off the system and disconnect it from power. Wait for 45 seconds. Reseat DIMM(s). Reconnect it to power.
4. Make sure that DSA and BIOS/uEFI are at the latest level.

Related Links:

- IBM Support Website
 - Latest level of DSA
 - Latest level of BMC/IMM
-

201-811-003 Standalone Memory Test Aborted

Explanation: Unable to Locate SMBIOS key "_SM_".

Severity: Warning

Serviceable: No

Recoverable: No

Automatically notify Support: No

User response: Complete the following steps:

1. Perform the actions mentioned one at a time and try the test after each action.
2. If the problem remains, contact your technical-service representative.
3. Turn off the system and disconnect it from power. Wait for 45 seconds. Reseat DIMM(s). Reconnect it to power.
4. Make sure that DSA and BIOS/uEFI are at the latest level.

Related Links:

- IBM Support Website
 - Latest level of DSA
 - Latest level of BMC/IMM
-

201-812-000 Standalone Memory Test Aborted

Explanation: Memory test is not supported for this system.

Severity: Warning

Serviceable: No

Recoverable: No

Automatically notify Support: No

User response: Complete the following steps:

1. Perform the actions mentioned one at a time and try the test after each action.
2. If the problem remains, contact your technical-service representative.
3. Turn off the system and disconnect it from power. Wait for 45 seconds. Reseat DIMM(s). Reconnect it to power.
4. Make sure that DSA and BIOS/uEFI are at the latest level.

Related Links:

- IBM Support Website
 - Latest level of DSA
 - Latest level of BMC/IMM
-

201-812-001 Standalone Memory Test Aborted

Explanation: Memory test is not supported for this system.

Severity: Warning

Serviceable: No

Recoverable: No

Automatically notify Support: No

User response: Complete the following steps:

1. Perform the actions mentioned one at a time and try the test after each action.
2. If the problem remains, contact your technical-service representative.
3. Turn off the system and disconnect it from power. Wait for 45 seconds. Reseat DIMM(s). Reconnect it to power.
4. Make sure that DSA and BIOS/uEFI are at the latest level.

Related Links:

- IBM Support Website
 - Latest level of DSA
 - Latest level of BMC/IMM
-

201-812-002 Standalone Memory Test Aborted

Explanation: Memory test is not supported for this system.

Severity: Warning

Serviceable: No

Recoverable: No

Automatically notify Support: No

User response: Complete the following steps:

1. Perform the actions mentioned one at a time and try the test after each action.
2. If the problem remains, contact your technical-service representative.
3. Turn off the system and disconnect it from power. Wait for 45 seconds. Reseat DIMM(s). Reconnect it to power.
4. Make sure that DSA and BIOS/uEFI are at the latest level.

Related Links:

- IBM Support Website
 - Latest level of DSA
 - Latest level of BMC/IMM
-

201-812-003 Standalone Memory Test Aborted

Explanation: Memory test is not supported for this system.

Severity: Warning

Serviceable: No

Recoverable: No

Automatically notify Support: No

User response: Complete the following steps:

1. Perform the actions mentioned one at a time and try the test after each action.
2. If the problem remains, contact your technical-service representative.
3. Turn off the system and disconnect it from power. Wait for 45 seconds. Reseat DIMM(s). Reconnect it to power.
4. Make sure that DSA and BIOS/uEFI are at the latest level.

Related Links:

- IBM Support Website
 - Latest level of DSA
 - Latest level of BMC/IMM
-

201-813-000 Standalone Memory Test Aborted

Explanation: Chipset Error: Can not turn OFF ECC error reporting in CPU.

Severity: Warning

Serviceable: No

Recoverable: No

Automatically notify Support: No

User response: Complete the following steps:

1. Perform the actions mentioned one at a time and try the test after each action.
2. If the problem remains, contact your technical-service representative.
3. Turn off the system and disconnect it from power. Wait for 45 seconds. Reseat DIMM(s). Reconnect it to power.
4. Make sure that DSA and BIOS/uEFI are at the latest level.

Related Links:

- IBM Support Website
 - Latest level of DSA
 - Latest level of BMC/IMM
-

201-813-001 Standalone Memory Test Aborted

Explanation: Chipset Error: Can not turn OFF ECC error reporting in CPU.

Severity: Warning

Serviceable: No

Recoverable: No

Automatically notify Support: No

User response: Complete the following steps:

201-813-002 • 201-813-003

1. Perform the actions mentioned one at a time and try the test after each action.
2. If the problem remains, contact your technical-service representative.
3. Turn off the system and disconnect it from power. Wait for 45 seconds. Reseat DIMM(s). Reconnect it to power.
4. Make sure that DSA and BIOS/uEFI are at the latest level.

Related Links:

- IBM Support Website
- Latest level of DSA
- Latest level of BMC/IMM

201-813-002 Standalone Memory Test Aborted

Explanation: Chipset Error: Can not turn OFF ECC error reporting in CPU.

Severity: Warning

Serviceable: No

Recoverable: No

Automatically notify Support: No

User response: Complete the following steps:

1. Perform the actions mentioned one at a time and try the test after each action.
2. If the problem remains, contact your technical-service representative.
3. Turn off the system and disconnect it from power. Wait for 45 seconds. Reseat DIMM(s). Reconnect it to power.
4. Make sure that DSA and BIOS/uEFI are at the latest level.

Related Links:

- IBM Support Website
- Latest level of DSA
- Latest level of BMC/IMM

201-813-003 Standalone Memory Test Aborted

Explanation: Chipset Error: Can not turn OFF ECC error reporting in CPU.

Severity: Warning

Serviceable: No

Recoverable: No

Automatically notify Support: No

User response: Complete the following steps:

1. Perform the actions mentioned one at a time and try the test after each action.
2. If the problem remains, contact your technical-service representative.
3. Turn off the system and disconnect it from power. Wait for 45 seconds. Reseat DIMM(s). Reconnect it to power.
4. Make sure that DSA and BIOS/uEFI are at the latest level.

Related Links:

- IBM Support Website
 - Latest level of DSA
 - Latest level of BMC/IMM
-

201-814-000 Standalone Memory Test Aborted

Explanation: Chipset Error: Can not disable Scubbing feature for CPU.

Severity: Warning

Serviceable: No

Recoverable: No

Automatically notify Support: No

User response: Complete the following steps:

1. Perform the actions mentioned one at a time and try the test after each action.
2. If the problem remains, contact your technical-service representative.
3. Turn off the system and disconnect it from power. Wait for 45 seconds. Reseat DIMM(s). Reconnect it to power.
4. Make sure that DSA and BIOS/uEFI are at the latest level.

Related Links:

- IBM Support Website
- Latest level of DSA
- Latest level of BMC/IMM

201-814-001 Standalone Memory Test Aborted

Explanation: Chipset Error: Can not disable Scubbing feature for CPU.

Severity: Warning

Serviceable: No

Recoverable: No

Automatically notify Support: No

User response: Complete the following steps:

1. Perform the actions mentioned one at a time and try the test after each action.
2. If the problem remains, contact your technical-service representative.
3. Turn off the system and disconnect it from power. Wait for 45 seconds. Reseat DIMM(s). Reconnect it to power.
4. Make sure that DSA and BIOS/uEFI are at the latest level.

Related Links:

- IBM Support Website
- Latest level of DSA
- Latest level of BMC/IMM

201-814-002 Standalone Memory Test Aborted

Explanation: Chipset Error: Can not disable Scubbing feature for CPU.

Severity: Warning

Serviceable: No

Recoverable: No

Automatically notify Support: No

User response: Complete the following steps:

1. Perform the actions mentioned one at a time and try the test after each action.
2. If the problem remains, contact your technical-service representative.
3. Turn off the system and disconnect it from power. Wait for 45 seconds. Reseat DIMM(s). Reconnect it to power.
4. Make sure that DSA and BIOS/uEFI are at the latest level.

201-814-003 • 201-815-001

Related Links:

- IBM Support Website
- Latest level of DSA
- Latest level of BMC/IMM

201-814-003 Standalone Memory Test Aborted

Explanation: Chipset Error: Can not disable Scubbing feature for CPU.

Severity: Warning

Serviceable: No

Recoverable: No

Automatically notify Support: No

User response: Complete the following steps:

1. Perform the actions mentioned one at a time and try the test after each action.
2. If the problem remains, contact your technical-service representative.
3. Turn off the system and disconnect it from power. Wait for 45 seconds. Reseat DIMM(s). Reconnect it to power.
4. Make sure that DSA and BIOS/uEFI are at the latest level.

Related Links:

- IBM Support Website
- Latest level of DSA
- Latest level of BMC/IMM

201-815-000 Standalone Memory Test Aborted

Explanation: Program Error with Quick Memory Menu Option Selection.

Severity: Warning

Serviceable: No

Recoverable: No

Automatically notify Support: No

User response: Complete the following steps:

1. Perform the actions mentioned one at a time and try the test after each action.
2. If the problem remains, contact your technical-service representative.
3. Turn off the system and disconnect it from power. Wait for 45 seconds. Reseat DIMM(s). Reconnect it to power.
4. Make sure that DSA and BIOS/uEFI are at the latest level.

Related Links:

- IBM Support Website
- Latest level of DSA
- Latest level of BMC/IMM

201-815-001 Standalone Memory Test Aborted

Explanation: Program Error with Quick Memory Menu Option Selection.

Severity: Warning

Serviceable: No

Recoverable: No

Automatically notify Support: No

User response: Complete the following steps:

1. Perform the actions mentioned one at a time and try the test after each action.
2. If the problem remains, contact your technical-service representative.
3. Turn off the system and disconnect it from power. Wait for 45 seconds. Reseat DIMM(s). Reconnect it to power.
4. Make sure that DSA and BIOS/uEFI are at the latest level.

Related Links:

- IBM Support Website
 - Latest level of DSA
 - Latest level of BMC/IMM
-

201-815-002 Standalone Memory Test Aborted

Explanation: Program Error with Quick Memory Menu Option Selection.

Severity: Warning

Serviceable: No

Recoverable: No

Automatically notify Support: No

User response: Complete the following steps:

1. Perform the actions mentioned one at a time and try the test after each action.
2. If the problem remains, contact your technical-service representative.
3. Turn off the system and disconnect it from power. Wait for 45 seconds. Reseat DIMM(s). Reconnect it to power.
4. Make sure that DSA and BIOS/uEFI are at the latest level.

Related Links:

- IBM Support Website
 - Latest level of DSA
 - Latest level of BMC/IMM
-

201-815-003 Standalone Memory Test Aborted

Explanation: Program Error with Quick Memory Menu Option Selection.

Severity: Warning

Serviceable: No

Recoverable: No

Automatically notify Support: No

User response: Complete the following steps:

1. Perform the actions mentioned one at a time and try the test after each action.
2. If the problem remains, contact your technical-service representative.
3. Turn off the system and disconnect it from power. Wait for 45 seconds. Reseat DIMM(s). Reconnect it to power.
4. Make sure that DSA and BIOS/uEFI are at the latest level.

Related Links:

- IBM Support Website
 - Latest level of DSA
 - Latest level of BMC/IMM
-

201-816-000 Standalone Memory Test Aborted

Explanation: Program Error with Full Memory Menu Option Selection.

Severity: Warning

Serviceable: No

Recoverable: No

Automatically notify Support: No

User response: Complete the following steps:

1. Perform the actions mentioned one at a time and try the test after each action.
2. If the problem remains, contact your technical-service representative.
3. Turn off the system and disconnect it from power. Wait for 45 seconds. Reseat DIMM(s). Reconnect it to power.
4. Make sure that DSA and BIOS/uEFI are at the latest level.

Related Links:

- IBM Support Website
 - Latest level of DSA
 - Latest level of BMC/IMM
-

201-816-001 Standalone Memory Test Aborted

Explanation: Program Error with Full Memory Menu Option Selection.

Severity: Warning

Serviceable: No

Recoverable: No

Automatically notify Support: No

User response: Complete the following steps:

1. Perform the actions mentioned one at a time and try the test after each action.
2. If the problem remains, contact your technical-service representative.
3. Turn off the system and disconnect it from power. Wait for 45 seconds. Reseat DIMM(s). Reconnect it to power.
4. Make sure that DSA and BIOS/uEFI are at the latest level.

Related Links:

- IBM Support Website
 - Latest level of DSA
 - Latest level of BMC/IMM
-

201-816-002 Standalone Memory Test Aborted

Explanation: Program Error with Full Memory Menu Option Selection.

Severity: Warning

Serviceable: No

Recoverable: No

Automatically notify Support: No

User response: Complete the following steps:

1. Perform the actions mentioned one at a time and try the test after each action.
2. If the problem remains, contact your technical-service representative.
3. Turn off the system and disconnect it from power. Wait for 45 seconds. Reseat DIMM(s). Reconnect it to power.
4. Make sure that DSA and BIOS/uEFI are at the latest level.

Related Links:

- IBM Support Website
 - Latest level of DSA
 - Latest level of BMC/IMM
-

201-816-003 Standalone Memory Test Aborted

Explanation: Program Error with Full Memory Menu Option Selection.

Severity: Warning

Serviceable: No

Recoverable: No

Automatically notify Support: No

User response: Complete the following steps:

1. Perform the actions mentioned one at a time and try the test after each action.
2. If the problem remains, contact your technical-service representative.
3. Turn off the system and disconnect it from power. Wait for 45 seconds. Reseat DIMM(s). Reconnect it to power.
4. Make sure that DSA and BIOS/uEFI are at the latest level.

Related Links:

- IBM Support Website
 - Latest level of DSA
 - Latest level of BMC/IMM
-

201-818-000 Standalone Memory Test Aborted

Explanation: Unable to Locate SMBIOS key "_SM_".

Severity: Warning

Serviceable: No

Recoverable: No

Automatically notify Support: No

User response: Complete the following steps:

1. Perform the actions mentioned one at a time and try the test after each action.
2. If the problem remains, contact your technical-service representative.
3. Turn off the system and disconnect it from power. Wait for 45 seconds. Reseat DIMM(s). Reconnect it to power.
4. Make sure that DSA and BIOS/uEFI are at the latest level.

Related Links:

- IBM Support Website
 - Latest level of DSA
 - Latest level of BMC/IMM
-

201-818-001 Standalone Memory Test Aborted

Explanation: Unable to Locate SMBIOS key "_SM_".

Severity: Warning

Serviceable: No

Recoverable: No

Automatically notify Support: No

User response: Complete the following steps:

201-818-002 • 201-818-003

1. Perform the actions mentioned one at a time and try the test after each action.
2. If the problem remains, contact your technical-service representative.
3. Turn off the system and disconnect it from power. Wait for 45 seconds. Reseat DIMM(s). Reconnect it to power.
4. Make sure that DSA and BIOS/uEFI are at the latest level.

Related Links:

- IBM Support Website
- Latest level of DSA
- Latest level of BMC/IMM

201-818-002 Standalone Memory Test Aborted

Explanation: Unable to Locate SMBIOS key "_SM_".

Severity: Warning

Serviceable: No

Recoverable: No

Automatically notify Support: No

User response: Complete the following steps:

1. Perform the actions mentioned one at a time and try the test after each action.
2. If the problem remains, contact your technical-service representative.
3. Turn off the system and disconnect it from power. Wait for 45 seconds. Reseat DIMM(s). Reconnect it to power.
4. Make sure that DSA and BIOS/uEFI are at the latest level.

Related Links:

- IBM Support Website
- Latest level of DSA
- Latest level of BMC/IMM

201-818-003 Standalone Memory Test Aborted

Explanation: Unable to Locate SMBIOS key "_SM_".

Severity: Warning

Serviceable: No

Recoverable: No

Automatically notify Support: No

User response: Complete the following steps:

1. Perform the actions mentioned one at a time and try the test after each action.
2. If the problem remains, contact your technical-service representative.
3. Turn off the system and disconnect it from power. Wait for 45 seconds. Reseat DIMM(s). Reconnect it to power.
4. Make sure that DSA and BIOS/uEFI are at the latest level.

Related Links:

- IBM Support Website
 - Latest level of DSA
 - Latest level of BMC/IMM
-

201-819-000 Standalone Memory Test Aborted

Explanation: The start-end address ranges in the restricted area of the memory.

Severity: Warning

Serviceable: No

Recoverable: No

Automatically notify Support: No

User response: Complete the following steps:

1. Perform the actions mentioned one at a time and try the test after each action.
2. If the problem remains, contact your technical-service representative.
3. Turn off the system and disconnect it from power. Wait for 45 seconds. Reseat DIMM(s). Reconnect it to power.
4. Make sure that DSA and BIOS/uEFI are at the latest level.

Related Links:

- IBM Support Website
- Latest level of DSA
- Latest level of BMC/IMM

201-819-001 Standalone Memory Test Aborted

Explanation: The start-end address ranges in the restricted area of the memory.

Severity: Warning

Serviceable: No

Recoverable: No

Automatically notify Support: No

User response: Complete the following steps:

1. Perform the actions mentioned one at a time and try the test after each action.
2. If the problem remains, contact your technical-service representative.
3. Turn off the system and disconnect it from power. Wait for 45 seconds. Reseat DIMM(s). Reconnect it to power.
4. Make sure that DSA and BIOS/uEFI are at the latest level.

Related Links:

- IBM Support Website
- Latest level of DSA
- Latest level of BMC/IMM

201-819-002 Standalone Memory Test Aborted

Explanation: The start-end address ranges in the restricted area of the memory.

Severity: Warning

Serviceable: No

Recoverable: No

Automatically notify Support: No

User response: Complete the following steps:

1. Perform the actions mentioned one at a time and try the test after each action.
2. If the problem remains, contact your technical-service representative.
3. Turn off the system and disconnect it from power. Wait for 45 seconds. Reseat DIMM(s). Reconnect it to power.
4. Make sure that DSA and BIOS/uEFI are at the latest level.

201-819-003 • 201-820-001

Related Links:

- IBM Support Website
- Latest level of DSA
- Latest level of BMC/IMM

201-819-003 Standalone Memory Test Aborted

Explanation: The start-end address ranges in the restricted area of the memory.

Severity: Warning

Serviceable: No

Recoverable: No

Automatically notify Support: No

User response: Complete the following steps:

1. Perform the actions mentioned one at a time and try the test after each action.
2. If the problem remains, contact your technical-service representative.
3. Turn off the system and disconnect it from power. Wait for 45 seconds. Reseat DIMM(s). Reconnect it to power.
4. Make sure that DSA and BIOS/uEFI are at the latest level.

Related Links:

- IBM Support Website
- Latest level of DSA
- Latest level of BMC/IMM

201-820-000 Standalone Memory Test Aborted

Explanation: Memory Upper limit is less than 16 Mbytes.

Severity: Warning

Serviceable: No

Recoverable: No

Automatically notify Support: No

User response: Complete the following steps:

1. Perform the actions mentioned one at a time and try the test after each action.
2. If the problem remains, contact your technical-service representative.
3. Turn off the system and disconnect it from power. Wait for 45 seconds. Reseat DIMM(s). Reconnect it to power.
4. Make sure that DSA and BIOS/uEFI are at the latest level.

Related Links:

- IBM Support Website
- Latest level of DSA
- Latest level of BMC/IMM

201-820-001 Standalone Memory Test Aborted

Explanation: Memory Upper limit is less than 16 Mbytes.

Severity: Warning

Serviceable: No

Recoverable: No

Automatically notify Support: No

User response: Complete the following steps:

1. Perform the actions mentioned one at a time and try the test after each action.
2. If the problem remains, contact your technical-service representative.
3. Turn off the system and disconnect it from power. Wait for 45 seconds. Reseat DIMM(s). Reconnect it to power.
4. Make sure that DSA and BIOS/uEFI are at the latest level.

Related Links:

- IBM Support Website
 - Latest level of DSA
 - Latest level of BMC/IMM
-

201-820-002 Standalone Memory Test Aborted

Explanation: Memory Upper limit is less than 16 Mbytes.

Severity: Warning

Serviceable: No

Recoverable: No

Automatically notify Support: No

User response: Complete the following steps:

1. Perform the actions mentioned one at a time and try the test after each action.
2. If the problem remains, contact your technical-service representative.
3. Turn off the system and disconnect it from power. Wait for 45 seconds. Reseat DIMM(s). Reconnect it to power.
4. Make sure that DSA and BIOS/uEFI are at the latest level.

Related Links:

- IBM Support Website
 - Latest level of DSA
 - Latest level of BMC/IMM
-

201-820-003 Standalone Memory Test Aborted

Explanation: Memory Upper limit is less than 16 Mbytes.

Severity: Warning

Serviceable: No

Recoverable: No

Automatically notify Support: No

User response: Complete the following steps:

1. Perform the actions mentioned one at a time and try the test after each action.
2. If the problem remains, contact your technical-service representative.
3. Turn off the system and disconnect it from power. Wait for 45 seconds. Reseat DIMM(s). Reconnect it to power.
4. Make sure that DSA and BIOS/uEFI are at the latest level.

Related Links:

- IBM Support Website
 - Latest level of DSA
 - Latest level of BMC/IMM
-

201-821-000 Standalone Memory Test Aborted

Explanation: Variable range MTRR registers are larger than fixed range MTRR registers.

Severity: Warning

Serviceable: No

Recoverable: No

Automatically notify Support: No

User response: Complete the following steps:

1. Perform the actions mentioned one at a time and try the test after each action.
2. If the problem remains, contact your technical-service representative.
3. Turn off the system and disconnect it from power. Wait for 45 seconds. Reseat DIMM(s). Reconnect it to power.
4. Make sure that DSA and BIOS/uEFI are at the latest level.

Related Links:

- IBM Support Website
 - Latest level of DSA
 - Latest level of BMC/IMM
-

201-821-001 Standalone Memory Test Aborted

Explanation: Variable range MTRR registers are larger than fixed range MTRR registers.

Severity: Warning

Serviceable: No

Recoverable: No

Automatically notify Support: No

User response: Complete the following steps:

1. Perform the actions mentioned one at a time and try the test after each action.
2. If the problem remains, contact your technical-service representative.
3. Turn off the system and disconnect it from power. Wait for 45 seconds. Reseat DIMM(s). Reconnect it to power.
4. Make sure that DSA and BIOS/uEFI are at the latest level.

Related Links:

- IBM Support Website
 - Latest level of DSA
 - Latest level of BMC/IMM
-

201-821-002 Standalone Memory Test Aborted

Explanation: Variable range MTRR registers are larger than fixed range MTRR registers.

Severity: Warning

Serviceable: No

Recoverable: No

Automatically notify Support: No

User response: Complete the following steps:

1. Perform the actions mentioned one at a time and try the test after each action.
2. If the problem remains, contact your technical-service representative.
3. Turn off the system and disconnect it from power. Wait for 45 seconds. Reseat DIMM(s). Reconnect it to power.
4. Make sure that DSA and BIOS/uEFI are at the latest level.

Related Links:

- IBM Support Website
 - Latest level of DSA
 - Latest level of BMC/IMM
-

201-821-003 Standalone Memory Test Aborted

Explanation: Variable range MTRR registers are larger than fixed range MTRR registers.

Severity: Warning

Serviceable: No

Recoverable: No

Automatically notify Support: No

User response: Complete the following steps:

1. Perform the actions mentioned one at a time and try the test after each action.
2. If the problem remains, contact your technical-service representative.
3. Turn off the system and disconnect it from power. Wait for 45 seconds. Reseat DIMM(s). Reconnect it to power.
4. Make sure that DSA and BIOS/uEFI are at the latest level.

Related Links:

- IBM Support Website
 - Latest level of DSA
 - Latest level of BMC/IMM
-

201-822-000 Standalone Memory Test Aborted

Explanation: Invalid MTRR service request.

Severity: Warning

Serviceable: No

Recoverable: No

Automatically notify Support: No

User response: Complete the following steps:

1. Perform the actions mentioned one at a time and try the test after each action.
2. If the problem remains, contact your technical-service representative.
3. Turn off the system and disconnect it from power. Wait for 45 seconds. Reseat DIMM(s). Reconnect it to power.
4. Make sure that DSA and BIOS/uEFI are at the latest level.

Related Links:

- IBM Support Website
 - Latest level of DSA
 - Latest level of BMC/IMM
-

201-822-001 Standalone Memory Test Aborted

Explanation: Invalid MTRR service request.

Severity: Warning

Serviceable: No

Recoverable: No

Automatically notify Support: No

User response: Complete the following steps:

201-822-002 • 201-822-003

1. Perform the actions mentioned one at a time and try the test after each action.
2. If the problem remains, contact your technical-service representative.
3. Turn off the system and disconnect it from power. Wait for 45 seconds. Reseat DIMM(s). Reconnect it to power.
4. Make sure that DSA and BIOS/uEFI are at the latest level.

Related Links:

- IBM Support Website
- Latest level of DSA
- Latest level of BMC/IMM

201-822-002 Standalone Memory Test Aborted

Explanation: Invalid MTRR service request.

Severity: Warning

Serviceable: No

Recoverable: No

Automatically notify Support: No

User response: Complete the following steps:

1. Perform the actions mentioned one at a time and try the test after each action.
2. If the problem remains, contact your technical-service representative.
3. Turn off the system and disconnect it from power. Wait for 45 seconds. Reseat DIMM(s). Reconnect it to power.
4. Make sure that DSA and BIOS/uEFI are at the latest level.

Related Links:

- IBM Support Website
- Latest level of DSA
- Latest level of BMC/IMM

201-822-003 Standalone Memory Test Aborted

Explanation: Invalid MTRR service request.

Severity: Warning

Serviceable: No

Recoverable: No

Automatically notify Support: No

User response: Complete the following steps:

1. Perform the actions mentioned one at a time and try the test after each action.
2. If the problem remains, contact your technical-service representative.
3. Turn off the system and disconnect it from power. Wait for 45 seconds. Reseat DIMM(s). Reconnect it to power.
4. Make sure that DSA and BIOS/uEFI are at the latest level.

Related Links:

- IBM Support Website
 - Latest level of DSA
 - Latest level of BMC/IMM
-

201-824-000 Standalone Memory Test Aborted

Explanation: Node Interleave feature must be OFF. Go to Setup and disable Node Interleave option and then re-run the test.

Severity: Warning

Serviceable: No

Recoverable: No

Automatically notify Support: No

User response: Complete the following steps:

1. Perform the actions mentioned one at a time and try the test after each action.
2. If the problem remains, contact your technical-service representative.
3. Turn off the system and disconnect it from power. Wait for 45 seconds. Reseat DIMM(s). Reconnect it to power.
4. Make sure that DSA and BIOS/uEFI are at the latest level.

Related Links:

- IBM Support Website
- Latest level of DSA
- Latest level of BMC/IMM

201-824-001 Standalone Memory Test Aborted

Explanation: Node Interleave feature must be OFF. Go to Setup and disable Node Interleave option and then re-run the test.

Severity: Warning

Serviceable: No

Recoverable: No

Automatically notify Support: No

User response: Complete the following steps:

1. Perform the actions mentioned one at a time and try the test after each action.
2. If the problem remains, contact your technical-service representative.
3. Turn off the system and disconnect it from power. Wait for 45 seconds. Reseat DIMM(s). Reconnect it to power.
4. Make sure that DSA and BIOS/uEFI are at the latest level.

Related Links:

- IBM Support Website
- Latest level of DSA
- Latest level of BMC/IMM

201-824-002 Standalone Memory Test Aborted

Explanation: Node Interleave feature must be OFF. Go to Setup and disable Node Interleave option and then re-run the test.

Severity: Warning

Serviceable: No

Recoverable: No

Automatically notify Support: No

User response: Complete the following steps:

1. Perform the actions mentioned one at a time and try the test after each action.
2. If the problem remains, contact your technical-service representative.

201-824-003 • 201-826-001

3. Turn off the system and disconnect it from power. Wait for 45 seconds. Reseat DIMM(s). Reconnect it to power.
4. Make sure that DSA and BIOS/uEFI are at the latest level.

Related Links:

- IBM Support Website
 - Latest level of DSA
 - Latest level of BMC/IMM
-

201-824-003 Standalone Memory Test Aborted

Explanation: Node Interleave feature must be OFF. Go to Setup and disable Node Interleave option and then re-run the test.

Severity: Warning

Serviceable: No

Recoverable: No

Automatically notify Support: No

User response: Complete the following steps:

1. Perform the actions mentioned one at a time and try the test after each action.
2. If the problem remains, contact your technical-service representative.
3. Turn off the system and disconnect it from power. Wait for 45 seconds. Reseat DIMM(s). Reconnect it to power.
4. Make sure that DSA and BIOS/uEFI are at the latest level.

Related Links:

- IBM Support Website
 - Latest level of DSA
 - Latest level of BMC/IMM
-

201-826-000 Standalone Memory Test Aborted

Explanation: BIOS: Memory Controller has been disabled. Go to Setup and Enable Memory Controller.

Severity: Warning

Serviceable: No

Recoverable: No

Automatically notify Support: No

User response: Complete the following steps:

1. Perform the actions mentioned one at a time and try the test after each action.
2. If the problem remains, contact your technical-service representative.
3. Turn off the system and disconnect it from power. Wait for 45 seconds. Reseat DIMM(s). Reconnect it to power.
4. Make sure that DSA and BIOS/uEFI are at the latest level.

Related Links:

- IBM Support Website
 - Latest level of DSA
 - Latest level of BMC/IMM
-

201-826-001 Standalone Memory Test Aborted

Explanation: BIOS: Memory Controller has been disabled. Go to Setup and Enable Memory Controller.

Severity: Warning

Serviceable: No

Recoverable: No

Automatically notify Support: No

User response: Complete the following steps:

1. Perform the actions mentioned one at a time and try the test after each action.
2. If the problem remains, contact your technical-service representative.
3. Turn off the system and disconnect it from power. Wait for 45 seconds. Reseat DIMM(s). Reconnect it to power.
4. Make sure that DSA and BIOS/uEFI are at the latest level.

Related Links:

- IBM Support Website
 - Latest level of DSA
 - Latest level of BMC/IMM
-

201-826-002 Standalone Memory Test Aborted

Explanation: BIOS: Memory Controller has been disabled. Go to Setup and Enable Memory Controller.

Severity: Warning

Serviceable: No

Recoverable: No

Automatically notify Support: No

User response: Complete the following steps:

1. Perform the actions mentioned one at a time and try the test after each action.
2. If the problem remains, contact your technical-service representative.
3. Turn off the system and disconnect it from power. Wait for 45 seconds. Reseat DIMM(s). Reconnect it to power.
4. Make sure that DSA and BIOS/uEFI are at the latest level.

Related Links:

- IBM Support Website
 - Latest level of DSA
 - Latest level of BMC/IMM
-

201-826-003 Standalone Memory Test Aborted

Explanation: BIOS: Memory Controller has been disabled. Go to Setup and Enable Memory Controller.

Severity: Warning

Serviceable: No

Recoverable: No

Automatically notify Support: No

User response: Complete the following steps:

1. Perform the actions mentioned one at a time and try the test after each action.
2. If the problem remains, contact your technical-service representative.
3. Turn off the system and disconnect it from power. Wait for 45 seconds. Reseat DIMM(s). Reconnect it to power.
4. Make sure that DSA and BIOS/uEFI are at the latest level.

Related Links:

- IBM Support Website
 - Latest level of DSA
 - Latest level of BMC/IMM
-

201-827-000 Standalone Memory Test Aborted

Explanation: BIOS: ECC function has been disabled by BIOS. Go to Setup and enable ECC generation.

Severity: Warning

Serviceable: No

Recoverable: No

Automatically notify Support: No

User response: Complete the following steps:

1. Perform the actions mentioned one at a time and try the test after each action.
2. If the problem remains, contact your technical-service representative.
3. Turn off the system and disconnect it from power. Wait for 45 seconds. Reseat DIMM(s). Reconnect it to power.
4. Make sure that DSA and BIOS/uEFI are at the latest level.

Related Links:

- IBM Support Website
 - Latest level of DSA
 - Latest level of BMC/IMM
-

201-827-001 Standalone Memory Test Aborted

Explanation: BIOS: ECC function has been disabled by BIOS. Go to Setup and enable ECC generation.

Severity: Warning

Serviceable: No

Recoverable: No

Automatically notify Support: No

User response: Complete the following steps:

1. Perform the actions mentioned one at a time and try the test after each action.
2. If the problem remains, contact your technical-service representative.
3. Turn off the system and disconnect it from power. Wait for 45 seconds. Reseat DIMM(s). Reconnect it to power.
4. Make sure that DSA and BIOS/uEFI are at the latest level.

Related Links:

- IBM Support Website
 - Latest level of DSA
 - Latest level of BMC/IMM
-

201-827-002 Standalone Memory Test Aborted

Explanation: BIOS: ECC function has been disabled by BIOS. Go to Setup and enable ECC generation.

Severity: Warning

Serviceable: No

Recoverable: No

Automatically notify Support: No

User response: Complete the following steps:

1. Perform the actions mentioned one at a time and try the test after each action.
2. If the problem remains, contact your technical-service representative.
3. Turn off the system and disconnect it from power. Wait for 45 seconds. Reseat DIMM(s). Reconnect it to power.
4. Make sure that DSA and BIOS/uEFI are at the latest level.

Related Links:

- IBM Support Website
 - Latest level of DSA
 - Latest level of BMC/IMM
-

201-827-003 Standalone Memory Test Aborted

Explanation: BIOS: ECC function has been disabled by BIOS. Go to Setup and enable ECC generation.

Severity: Warning

Serviceable: No

Recoverable: No

Automatically notify Support: No

User response: Complete the following steps:

1. Perform the actions mentioned one at a time and try the test after each action.
2. If the problem remains, contact your technical-service representative.
3. Turn off the system and disconnect it from power. Wait for 45 seconds. Reseat DIMM(s). Reconnect it to power.
4. Make sure that DSA and BIOS/uEFI are at the latest level.

Related Links:

- IBM Support Website
 - Latest level of DSA
 - Latest level of BMC/IMM
-

201-844-000 Standalone Memory Test Aborted

Explanation: Chipset Error: Problem in masking MSR machine check control MASK registers.

Severity: Warning

Serviceable: No

Recoverable: No

Automatically notify Support: No

User response: Complete the following steps:

1. Perform the actions mentioned one at a time and try the test after each action.
2. If the problem remains, contact your technical-service representative.
3. Turn off the system and disconnect it from power. Wait for 45 seconds. Reseat DIMM(s). Reconnect it to power.
4. Make sure that DSA and BIOS/uEFI are at the latest level.

Related Links:

- IBM Support Website
 - Latest level of DSA
 - Latest level of BMC/IMM
-

201-844-001 Standalone Memory Test Aborted

Explanation: Chipset Error: Problem in masking MSR machine check control MASK registers.

Severity: Warning

Serviceable: No

Recoverable: No

Automatically notify Support: No

User response: Complete the following steps:

201-844-002 • 201-844-003

1. Perform the actions mentioned one at a time and try the test after each action.
2. If the problem remains, contact your technical-service representative.
3. Turn off the system and disconnect it from power. Wait for 45 seconds. Reseat DIMM(s). Reconnect it to power.
4. Make sure that DSA and BIOS/uEFI are at the latest level.

Related Links:

- IBM Support Website
- Latest level of DSA
- Latest level of BMC/IMM

201-844-002 Standalone Memory Test Aborted

Explanation: Chipset Error: Problem in masking MSR machine check control MASK registers.

Severity: Warning

Serviceable: No

Recoverable: No

Automatically notify Support: No

User response: Complete the following steps:

1. Perform the actions mentioned one at a time and try the test after each action.
2. If the problem remains, contact your technical-service representative.
3. Turn off the system and disconnect it from power. Wait for 45 seconds. Reseat DIMM(s). Reconnect it to power.
4. Make sure that DSA and BIOS/uEFI are at the latest level.

Related Links:

- IBM Support Website
- Latest level of DSA
- Latest level of BMC/IMM

201-844-003 Standalone Memory Test Aborted

Explanation: Chipset Error: Problem in masking MSR machine check control MASK registers.

Severity: Warning

Serviceable: No

Recoverable: No

Automatically notify Support: No

User response: Complete the following steps:

1. Perform the actions mentioned one at a time and try the test after each action.
2. If the problem remains, contact your technical-service representative.
3. Turn off the system and disconnect it from power. Wait for 45 seconds. Reseat DIMM(s). Reconnect it to power.
4. Make sure that DSA and BIOS/uEFI are at the latest level.

Related Links:

- IBM Support Website
 - Latest level of DSA
 - Latest level of BMC/IMM
-

201-845-000 Standalone Memory Test Aborted

Explanation: Chipset Error: Problem clearing MSR machine check control registers.

Severity: Warning

Serviceable: No

Recoverable: No

Automatically notify Support: No

User response: Complete the following steps:

1. Perform the actions mentioned one at a time and try the test after each action.
2. If the problem remains, contact your technical-service representative.
3. Turn off the system and disconnect it from power. Wait for 45 seconds. Reseat DIMM(s). Reconnect it to power.
4. Make sure that DSA and BIOS/uEFI are at the latest level.

Related Links:

- IBM Support Website
- Latest level of DSA
- Latest level of BMC/IMM

201-845-001 Standalone Memory Test Aborted

Explanation: Chipset Error: Problem clearing MSR machine check control registers.

Severity: Warning

Serviceable: No

Recoverable: No

Automatically notify Support: No

User response: Complete the following steps:

1. Perform the actions mentioned one at a time and try the test after each action.
2. If the problem remains, contact your technical-service representative.
3. Turn off the system and disconnect it from power. Wait for 45 seconds. Reseat DIMM(s). Reconnect it to power.
4. Make sure that DSA and BIOS/uEFI are at the latest level.

Related Links:

- IBM Support Website
- Latest level of DSA
- Latest level of BMC/IMM

201-845-002 Standalone Memory Test Aborted

Explanation: Chipset Error: Problem clearing MSR machine check control registers.

Severity: Warning

Serviceable: No

Recoverable: No

Automatically notify Support: No

User response: Complete the following steps:

1. Perform the actions mentioned one at a time and try the test after each action.
2. If the problem remains, contact your technical-service representative.
3. Turn off the system and disconnect it from power. Wait for 45 seconds. Reseat DIMM(s). Reconnect it to power.
4. Make sure that DSA and BIOS/uEFI are at the latest level.

Related Links:

- IBM Support Website
- Latest level of DSA
- Latest level of BMC/IMM

201-845-003 Standalone Memory Test Aborted

Explanation: Chipset Error: Problem clearing MSR machine check control registers.

Severity: Warning

Serviceable: No

Recoverable: No

Automatically notify Support: No

User response: Complete the following steps:

1. Perform the actions mentioned one at a time and try the test after each action.
2. If the problem remains, contact your technical-service representative.
3. Turn off the system and disconnect it from power. Wait for 45 seconds. Reseat DIMM(s). Reconnect it to power.
4. Make sure that DSA and BIOS/uEFI are at the latest level.

Related Links:

- IBM Support Website
- Latest level of DSA
- Latest level of BMC/IMM

201-859-000 Standalone Memory Test Aborted

Explanation: INVALID XSECSRAT type.

Severity: Warning

Serviceable: No

Recoverable: No

Automatically notify Support: No

User response: Complete the following steps:

1. Perform the actions mentioned one at a time and try the test after each action.
2. If the problem remains, contact your technical-service representative.
3. Turn off the system and disconnect it from power. Wait for 45 seconds. Reseat DIMM(s). Reconnect it to power.
4. Make sure that DSA and BIOS/uEFI are at the latest level.

Related Links:

- IBM Support Website
- Latest level of DSA
- Latest level of BMC/IMM

201-859-001 Standalone Memory Test Aborted

Explanation: INVALID XSECSRAT type.

Severity: Warning

Serviceable: No

Recoverable: No

Automatically notify Support: No

User response: Complete the following steps:

1. Perform the actions mentioned one at a time and try the test after each action.
2. If the problem remains, contact your technical-service representative.
3. Turn off the system and disconnect it from power. Wait for 45 seconds. Reseat DIMM(s). Reconnect it to power.
4. Make sure that DSA and BIOS/uEFI are at the latest level.

Related Links:

- IBM Support Website
- Latest level of DSA
- Latest level of BMC/IMM

201-859-002 Standalone Memory Test Aborted

Explanation: INVALID XSECSRAT type.

Severity: Warning

Serviceable: No

Recoverable: No

Automatically notify Support: No

User response: Complete the following steps:

1. Perform the actions mentioned one at a time and try the test after each action.
2. If the problem remains, contact your technical-service representative.
3. Turn off the system and disconnect it from power. Wait for 45 seconds. Reseat DIMM(s). Reconnect it to power.
4. Make sure that DSA and BIOS/uEFI are at the latest level.

Related Links:

- IBM Support Website
- Latest level of DSA
- Latest level of BMC/IMM

201-859-003 Standalone Memory Test Aborted

Explanation: INVALID XSECSRAT type.

Severity: Warning

Serviceable: No

Recoverable: No

Automatically notify Support: No

User response: Complete the following steps:

1. Perform the actions mentioned one at a time and try the test after each action.
2. If the problem remains, contact your technical-service representative.
3. Turn off the system and disconnect it from power. Wait for 45 seconds. Reseat DIMM(s). Reconnect it to power.
4. Make sure that DSA and BIOS/uEFI are at the latest level.

Related Links:

- IBM Support Website
 - Latest level of DSA
 - Latest level of BMC/IMM
-

201-860-000 Standalone Memory Test Aborted

Explanation: No OEM0 type 1 found.

Severity: Warning

Serviceable: No

Recoverable: No

Automatically notify Support: No

User response: Complete the following steps:

1. Perform the actions mentioned one at a time and try the test after each action.
2. If the problem remains, contact your technical-service representative.
3. Turn off the system and disconnect it from power. Wait for 45 seconds. Reseat DIMM(s). Reconnect it to power.
4. Make sure that DSA and BIOS/uEFI are at the latest level.

Related Links:

- IBM Support Website
 - Latest level of DSA
 - Latest level of BMC/IMM
-

201-860-001 Standalone Memory Test Aborted

Explanation: No OEM0 type 1 found.

Severity: Warning

Serviceable: No

Recoverable: No

Automatically notify Support: No

User response: Complete the following steps:

1. Perform the actions mentioned one at a time and try the test after each action.
2. If the problem remains, contact your technical-service representative.
3. Turn off the system and disconnect it from power. Wait for 45 seconds. Reseat DIMM(s). Reconnect it to power.
4. Make sure that DSA and BIOS/uEFI are at the latest level.

Related Links:

- IBM Support Website
 - Latest level of DSA
 - Latest level of BMC/IMM
-

201-860-002 Standalone Memory Test Aborted

Explanation: No OEM0 type 1 found.

Severity: Warning

Serviceable: No

Recoverable: No

Automatically notify Support: No

User response: Complete the following steps:

1. Perform the actions mentioned one at a time and try the test after each action.
2. If the problem remains, contact your technical-service representative.
3. Turn off the system and disconnect it from power. Wait for 45 seconds. Reseat DIMM(s). Reconnect it to power.
4. Make sure that DSA and BIOS/uEFI are at the latest level.

Related Links:

- IBM Support Website
 - Latest level of DSA
 - Latest level of BMC/IMM
-

201-860-003 Standalone Memory Test Aborted

Explanation: No OEM0 type 1 found.

Severity: Warning

Serviceable: No

Recoverable: No

Automatically notify Support: No

User response: Complete the following steps:

1. Perform the actions mentioned one at a time and try the test after each action.
2. If the problem remains, contact your technical-service representative.
3. Turn off the system and disconnect it from power. Wait for 45 seconds. Reseat DIMM(s). Reconnect it to power.
4. Make sure that DSA and BIOS/uEFI are at the latest level.

Related Links:

- IBM Support Website
 - Latest level of DSA
 - Latest level of BMC/IMM
-

201-861-000 Standalone Memory Test Aborted

Explanation: No SRAT type 1 found.

Severity: Warning

Serviceable: No

Recoverable: No

Automatically notify Support: No

User response: Complete the following steps:

1. Perform the actions mentioned one at a time and try the test after each action.
2. If the problem remains, contact your technical-service representative.
3. Turn off the system and disconnect it from power. Wait for 45 seconds. Reseat DIMM(s). Reconnect it to power.
4. Make sure that DSA and BIOS/uEFI are at the latest level.

Related Links:

- IBM Support Website
 - Latest level of DSA
 - Latest level of BMC/IMM
-

201-861-001 Standalone Memory Test Aborted

Explanation: No SRAT type 1 found.

Severity: Warning

Serviceable: No

Recoverable: No

Automatically notify Support: No

User response: Complete the following steps:

201-861-002 • 201-861-003

1. Perform the actions mentioned one at a time and try the test after each action.
2. If the problem remains, contact your technical-service representative.
3. Turn off the system and disconnect it from power. Wait for 45 seconds. Reseat DIMM(s). Reconnect it to power.
4. Make sure that DSA and BIOS/uEFI are at the latest level.

Related Links:

- IBM Support Website
- Latest level of DSA
- Latest level of BMC/IMM

201-861-002 Standalone Memory Test Aborted

Explanation: No SRAT type 1 found.

Severity: Warning

Serviceable: No

Recoverable: No

Automatically notify Support: No

User response: Complete the following steps:

1. Perform the actions mentioned one at a time and try the test after each action.
2. If the problem remains, contact your technical-service representative.
3. Turn off the system and disconnect it from power. Wait for 45 seconds. Reseat DIMM(s). Reconnect it to power.
4. Make sure that DSA and BIOS/uEFI are at the latest level.

Related Links:

- IBM Support Website
- Latest level of DSA
- Latest level of BMC/IMM

201-861-003 Standalone Memory Test Aborted

Explanation: No SRAT type 1 found.

Severity: Warning

Serviceable: No

Recoverable: No

Automatically notify Support: No

User response: Complete the following steps:

1. Perform the actions mentioned one at a time and try the test after each action.
2. If the problem remains, contact your technical-service representative.
3. Turn off the system and disconnect it from power. Wait for 45 seconds. Reseat DIMM(s). Reconnect it to power.
4. Make sure that DSA and BIOS/uEFI are at the latest level.

Related Links:

- IBM Support Website
 - Latest level of DSA
 - Latest level of BMC/IMM
-

201-862-000 Standalone Memory Test Aborted

Explanation: No OEM1 structure found.

Severity: Warning

Serviceable: No

Recoverable: No

Automatically notify Support: No

User response: Complete the following steps:

1. Perform the actions mentioned one at a time and try the test after each action.
2. If the problem remains, contact your technical-service representative.
3. Turn off the system and disconnect it from power. Wait for 45 seconds. Reseat DIMM(s). Reconnect it to power.
4. Make sure that DSA and BIOS/uEFI are at the latest level.

Related Links:

- IBM Support Website
- Latest level of DSA
- Latest level of BMC/IMM

201-862-001 Standalone Memory Test Aborted

Explanation: No OEM1 structure found.

Severity: Warning

Serviceable: No

Recoverable: No

Automatically notify Support: No

User response: Complete the following steps:

1. Perform the actions mentioned one at a time and try the test after each action.
2. If the problem remains, contact your technical-service representative.
3. Turn off the system and disconnect it from power. Wait for 45 seconds. Reseat DIMM(s). Reconnect it to power.
4. Make sure that DSA and BIOS/uEFI are at the latest level.

Related Links:

- IBM Support Website
- Latest level of DSA
- Latest level of BMC/IMM

201-862-002 Standalone Memory Test Aborted

Explanation: No OEM1 structure found.

Severity: Warning

Serviceable: No

Recoverable: No

Automatically notify Support: No

User response: Complete the following steps:

1. Perform the actions mentioned one at a time and try the test after each action.
2. If the problem remains, contact your technical-service representative.
3. Turn off the system and disconnect it from power. Wait for 45 seconds. Reseat DIMM(s). Reconnect it to power.
4. Make sure that DSA and BIOS/uEFI are at the latest level.

201-862-003 • 201-863-001

Related Links:

- IBM Support Website
- Latest level of DSA
- Latest level of BMC/IMM

201-862-003 Standalone Memory Test Aborted

Explanation: No OEM1 structure found.

Severity: Warning

Serviceable: No

Recoverable: No

Automatically notify Support: No

User response: Complete the following steps:

1. Perform the actions mentioned one at a time and try the test after each action.
2. If the problem remains, contact your technical-service representative.
3. Turn off the system and disconnect it from power. Wait for 45 seconds. Reseat DIMM(s). Reconnect it to power.
4. Make sure that DSA and BIOS/uEFI are at the latest level.

Related Links:

- IBM Support Website
- Latest level of DSA
- Latest level of BMC/IMM

201-863-000 Standalone Memory Test Aborted

Explanation: No IBMERROR key in OEM1 structure.

Severity: Warning

Serviceable: No

Recoverable: No

Automatically notify Support: No

User response: Complete the following steps:

1. Perform the actions mentioned one at a time and try the test after each action.
2. If the problem remains, contact your technical-service representative.
3. Turn off the system and disconnect it from power. Wait for 45 seconds. Reseat DIMM(s). Reconnect it to power.
4. Make sure that DSA and BIOS/uEFI are at the latest level.

Related Links:

- IBM Support Website
- Latest level of DSA
- Latest level of BMC/IMM

201-863-001 Standalone Memory Test Aborted

Explanation: No IBMERROR key in OEM1 structure.

Severity: Warning

Serviceable: No

Recoverable: No

Automatically notify Support: No

User response: Complete the following steps:

1. Perform the actions mentioned one at a time and try the test after each action.
2. If the problem remains, contact your technical-service representative.
3. Turn off the system and disconnect it from power. Wait for 45 seconds. Reseat DIMM(s). Reconnect it to power.
4. Make sure that DSA and BIOS/uEFI are at the latest level.

Related Links:

- IBM Support Website
 - Latest level of DSA
 - Latest level of BMC/IMM
-

201-863-002 Standalone Memory Test Aborted

Explanation: No IBMERROR key in OEM1 structure.

Severity: Warning

Serviceable: No

Recoverable: No

Automatically notify Support: No

User response: Complete the following steps:

1. Perform the actions mentioned one at a time and try the test after each action.
2. If the problem remains, contact your technical-service representative.
3. Turn off the system and disconnect it from power. Wait for 45 seconds. Reseat DIMM(s). Reconnect it to power.
4. Make sure that DSA and BIOS/uEFI are at the latest level.

Related Links:

- IBM Support Website
 - Latest level of DSA
 - Latest level of BMC/IMM
-

201-863-003 Standalone Memory Test Aborted

Explanation: No IBMERROR key in OEM1 structure.

Severity: Warning

Serviceable: No

Recoverable: No

Automatically notify Support: No

User response: Complete the following steps:

1. Perform the actions mentioned one at a time and try the test after each action.
2. If the problem remains, contact your technical-service representative.
3. Turn off the system and disconnect it from power. Wait for 45 seconds. Reseat DIMM(s). Reconnect it to power.
4. Make sure that DSA and BIOS/uEFI are at the latest level.

Related Links:

- IBM Support Website
 - Latest level of DSA
 - Latest level of BMC/IMM
-

201-864-000 Standalone Memory Test Aborted

Explanation: No GAS located in OEM1.

Severity: Warning

Serviceable: No

Recoverable: No

Automatically notify Support: No

User response: Complete the following steps:

1. Perform the actions mentioned one at a time and try the test after each action.
2. If the problem remains, contact your technical-service representative.
3. Turn off the system and disconnect it from power. Wait for 45 seconds. Reseat DIMM(s). Reconnect it to power.
4. Make sure that DSA and BIOS/uEFI are at the latest level.

Related Links:

- IBM Support Website
 - Latest level of DSA
 - Latest level of BMC/IMM
-

201-864-001 Standalone Memory Test Aborted

Explanation: No GAS located in OEM1.

Severity: Warning

Serviceable: No

Recoverable: No

Automatically notify Support: No

User response: Complete the following steps:

1. Perform the actions mentioned one at a time and try the test after each action.
2. If the problem remains, contact your technical-service representative.
3. Turn off the system and disconnect it from power. Wait for 45 seconds. Reseat DIMM(s). Reconnect it to power.
4. Make sure that DSA and BIOS/uEFI are at the latest level.

Related Links:

- IBM Support Website
 - Latest level of DSA
 - Latest level of BMC/IMM
-

201-864-002 Standalone Memory Test Aborted

Explanation: No GAS located in OEM1.

Severity: Warning

Serviceable: No

Recoverable: No

Automatically notify Support: No

User response: Complete the following steps:

1. Perform the actions mentioned one at a time and try the test after each action.
2. If the problem remains, contact your technical-service representative.
3. Turn off the system and disconnect it from power. Wait for 45 seconds. Reseat DIMM(s). Reconnect it to power.
4. Make sure that DSA and BIOS/uEFI are at the latest level.

Related Links:

- IBM Support Website
 - Latest level of DSA
 - Latest level of BMC/IMM
-

201-864-003 Standalone Memory Test Aborted

Explanation: No GAS located in OEM1.

Severity: Warning

Serviceable: No

Recoverable: No

Automatically notify Support: No

User response: Complete the following steps:

1. Perform the actions mentioned one at a time and try the test after each action.
2. If the problem remains, contact your technical-service representative.
3. Turn off the system and disconnect it from power. Wait for 45 seconds. Reseat DIMM(s). Reconnect it to power.
4. Make sure that DSA and BIOS/uEFI are at the latest level.

Related Links:

- IBM Support Website
 - Latest level of DSA
 - Latest level of BMC/IMM
-

201-865-000 Standalone Memory Test Aborted

Explanation: No XSECSRAT key in OEM0 structure.

Severity: Warning

Serviceable: No

Recoverable: No

Automatically notify Support: No

User response: Complete the following steps:

1. Perform the actions mentioned one at a time and try the test after each action.
2. If the problem remains, contact your technical-service representative.
3. Turn off the system and disconnect it from power. Wait for 45 seconds. Reseat DIMM(s). Reconnect it to power.
4. Make sure that DSA and BIOS/uEFI are at the latest level.

Related Links:

- IBM Support Website
 - Latest level of DSA
 - Latest level of BMC/IMM
-

201-865-001 Standalone Memory Test Aborted

Explanation: No XSECSRAT key in OEM0 structure.

Severity: Warning

Serviceable: No

Recoverable: No

Automatically notify Support: No

User response: Complete the following steps:

201-865-002 • 201-865-003

1. Perform the actions mentioned one at a time and try the test after each action.
2. If the problem remains, contact your technical-service representative.
3. Turn off the system and disconnect it from power. Wait for 45 seconds. Reseat DIMM(s). Reconnect it to power.
4. Make sure that DSA and BIOS/uEFI are at the latest level.

Related Links:

- IBM Support Website
- Latest level of DSA
- Latest level of BMC/IMM

201-865-002 Standalone Memory Test Aborted

Explanation: No XSECSRAT key in OEM0 structure.

Severity: Warning

Serviceable: No

Recoverable: No

Automatically notify Support: No

User response: Complete the following steps:

1. Perform the actions mentioned one at a time and try the test after each action.
2. If the problem remains, contact your technical-service representative.
3. Turn off the system and disconnect it from power. Wait for 45 seconds. Reseat DIMM(s). Reconnect it to power.
4. Make sure that DSA and BIOS/uEFI are at the latest level.

Related Links:

- IBM Support Website
- Latest level of DSA
- Latest level of BMC/IMM

201-865-003 Standalone Memory Test Aborted

Explanation: No XSECSRAT key in OEM0 structure.

Severity: Warning

Serviceable: No

Recoverable: No

Automatically notify Support: No

User response: Complete the following steps:

1. Perform the actions mentioned one at a time and try the test after each action.
2. If the problem remains, contact your technical-service representative.
3. Turn off the system and disconnect it from power. Wait for 45 seconds. Reseat DIMM(s). Reconnect it to power.
4. Make sure that DSA and BIOS/uEFI are at the latest level.

Related Links:

- IBM Support Website
 - Latest level of DSA
 - Latest level of BMC/IMM
-

201-866-000 Standalone Memory Test Aborted

Explanation: EFI-SAL Invalid parameter from GetMemoryMap function.

Severity: Warning

Serviceable: No

Recoverable: No

Automatically notify Support: No

User response: Complete the following steps:

1. Perform the actions mentioned one at a time and try the test after each action.
2. If the problem remains, contact your technical-service representative.
3. Turn off the system and disconnect it from power. Wait for 45 seconds. Reseat DIMM(s). Reconnect it to power.
4. Make sure that DSA and BIOS/uEFI are at the latest level.

Related Links:

- IBM Support Website
- Latest level of DSA
- Latest level of BMC/IMM

201-866-001 Standalone Memory Test Aborted

Explanation: EFI-SAL Invalid parameter from GetMemoryMap function.

Severity: Warning

Serviceable: No

Recoverable: No

Automatically notify Support: No

User response: Complete the following steps:

1. Perform the actions mentioned one at a time and try the test after each action.
2. If the problem remains, contact your technical-service representative.
3. Turn off the system and disconnect it from power. Wait for 45 seconds. Reseat DIMM(s). Reconnect it to power.
4. Make sure that DSA and BIOS/uEFI are at the latest level.

Related Links:

- IBM Support Website
- Latest level of DSA
- Latest level of BMC/IMM

201-866-002 Standalone Memory Test Aborted

Explanation: EFI-SAL Invalid parameter from GetMemoryMap function.

Severity: Warning

Serviceable: No

Recoverable: No

Automatically notify Support: No

User response: Complete the following steps:

1. Perform the actions mentioned one at a time and try the test after each action.
2. If the problem remains, contact your technical-service representative.
3. Turn off the system and disconnect it from power. Wait for 45 seconds. Reseat DIMM(s). Reconnect it to power.
4. Make sure that DSA and BIOS/uEFI are at the latest level.

201-866-003 • 201-867-001

Related Links:

- IBM Support Website
- Latest level of DSA
- Latest level of BMC/IMM

201-866-003 Standalone Memory Test Aborted

Explanation: EFI-SAL Invalid parameter from GetMemoryMap function.

Severity: Warning

Serviceable: No

Recoverable: No

Automatically notify Support: No

User response: Complete the following steps:

1. Perform the actions mentioned one at a time and try the test after each action.
2. If the problem remains, contact your technical-service representative.
3. Turn off the system and disconnect it from power. Wait for 45 seconds. Reseat DIMM(s). Reconnect it to power.
4. Make sure that DSA and BIOS/uEFI are at the latest level.

Related Links:

- IBM Support Website
- Latest level of DSA
- Latest level of BMC/IMM

201-867-000 Standalone Memory Test Aborted

Explanation: EFI/SAL: Buffer not allocated.

Severity: Warning

Serviceable: No

Recoverable: No

Automatically notify Support: No

User response: Complete the following steps:

1. Perform the actions mentioned one at a time and try the test after each action.
2. If the problem remains, contact your technical-service representative.
3. Turn off the system and disconnect it from power. Wait for 45 seconds. Reseat DIMM(s). Reconnect it to power.
4. Make sure that DSA and BIOS/uEFI are at the latest level.

Related Links:

- IBM Support Website
- Latest level of DSA
- Latest level of BMC/IMM

201-867-001 Standalone Memory Test Aborted

Explanation: EFI/SAL: Buffer not allocated.

Severity: Warning

Serviceable: No

Recoverable: No

Automatically notify Support: No

User response: Complete the following steps:

1. Perform the actions mentioned one at a time and try the test after each action.
2. If the problem remains, contact your technical-service representative.
3. Turn off the system and disconnect it from power. Wait for 45 seconds. Reseat DIMM(s). Reconnect it to power.
4. Make sure that DSA and BIOS/uEFI are at the latest level.

Related Links:

- IBM Support Website
 - Latest level of DSA
 - Latest level of BMC/IMM
-

201-867-002 Standalone Memory Test Aborted

Explanation: EFI/SAL: Buffer not allocated.

Severity: Warning

Serviceable: No

Recoverable: No

Automatically notify Support: No

User response: Complete the following steps:

1. Perform the actions mentioned one at a time and try the test after each action.
2. If the problem remains, contact your technical-service representative.
3. Turn off the system and disconnect it from power. Wait for 45 seconds. Reseat DIMM(s). Reconnect it to power.
4. Make sure that DSA and BIOS/uEFI are at the latest level.

Related Links:

- IBM Support Website
 - Latest level of DSA
 - Latest level of BMC/IMM
-

201-867-003 Standalone Memory Test Aborted

Explanation: EFI/SAL: Buffer not allocated.

Severity: Warning

Serviceable: No

Recoverable: No

Automatically notify Support: No

User response: Complete the following steps:

1. Perform the actions mentioned one at a time and try the test after each action.
2. If the problem remains, contact your technical-service representative.
3. Turn off the system and disconnect it from power. Wait for 45 seconds. Reseat DIMM(s). Reconnect it to power.
4. Make sure that DSA and BIOS/uEFI are at the latest level.

Related Links:

- IBM Support Website
 - Latest level of DSA
 - Latest level of BMC/IMM
-

201-868-000 Standalone Memory Test Aborted

Explanation: EFI/SAL: Buffer allocated in GetMemoryMap too small.

Severity: Warning

Serviceable: No

Recoverable: No

Automatically notify Support: No

User response: Complete the following steps:

1. Perform the actions mentioned one at a time and try the test after each action.
2. If the problem remains, contact your technical-service representative.
3. Turn off the system and disconnect it from power. Wait for 45 seconds. Reseat DIMM(s). Reconnect it to power.
4. Make sure that DSA and BIOS/uEFI are at the latest level.

Related Links:

- IBM Support Website
 - Latest level of DSA
 - Latest level of BMC/IMM
-

201-868-001 Standalone Memory Test Aborted

Explanation: EFI/SAL: Buffer allocated in GetMemoryMap too small.

Severity: Warning

Serviceable: No

Recoverable: No

Automatically notify Support: No

User response: Complete the following steps:

1. Perform the actions mentioned one at a time and try the test after each action.
2. If the problem remains, contact your technical-service representative.
3. Turn off the system and disconnect it from power. Wait for 45 seconds. Reseat DIMM(s). Reconnect it to power.
4. Make sure that DSA and BIOS/uEFI are at the latest level.

Related Links:

- IBM Support Website
 - Latest level of DSA
 - Latest level of BMC/IMM
-

201-868-002 Standalone Memory Test Aborted

Explanation: EFI/SAL: Buffer allocated in GetMemoryMap too small.

Severity: Warning

Serviceable: No

Recoverable: No

Automatically notify Support: No

User response: Complete the following steps:

1. Perform the actions mentioned one at a time and try the test after each action.
2. If the problem remains, contact your technical-service representative.
3. Turn off the system and disconnect it from power. Wait for 45 seconds. Reseat DIMM(s). Reconnect it to power.
4. Make sure that DSA and BIOS/uEFI are at the latest level.

Related Links:

- IBM Support Website
 - Latest level of DSA
 - Latest level of BMC/IMM
-

201-868-003 Standalone Memory Test Aborted

Explanation: EFI/SAL: Buffer allocated in GetMemoryMap too small.

Severity: Warning

Serviceable: No

Recoverable: No

Automatically notify Support: No

User response: Complete the following steps:

1. Perform the actions mentioned one at a time and try the test after each action.
2. If the problem remains, contact your technical-service representative.
3. Turn off the system and disconnect it from power. Wait for 45 seconds. Reseat DIMM(s). Reconnect it to power.
4. Make sure that DSA and BIOS/uEFI are at the latest level.

Related Links:

- IBM Support Website
 - Latest level of DSA
 - Latest level of BMC/IMM
-

201-869-000 Standalone Memory Test Aborted

Explanation: EFI/SAL Invalid parameter from GetMemoryMap function.

Severity: Warning

Serviceable: No

Recoverable: No

Automatically notify Support: No

User response: Complete the following steps:

1. Perform the actions mentioned one at a time and try the test after each action.
2. If the problem remains, contact your technical-service representative.
3. Turn off the system and disconnect it from power. Wait for 45 seconds. Reseat DIMM(s). Reconnect it to power.
4. Make sure that DSA and BIOS/uEFI are at the latest level.

Related Links:

- IBM Support Website
 - Latest level of DSA
 - Latest level of BMC/IMM
-

201-869-001 Standalone Memory Test Aborted

Explanation: EFI/SAL Invalid parameter from GetMemoryMap function.

Severity: Warning

Serviceable: No

Recoverable: No

Automatically notify Support: No

User response: Complete the following steps:

201-869-002 • 201-869-003

1. Perform the actions mentioned one at a time and try the test after each action.
2. If the problem remains, contact your technical-service representative.
3. Turn off the system and disconnect it from power. Wait for 45 seconds. Reseat DIMM(s). Reconnect it to power.
4. Make sure that DSA and BIOS/uEFI are at the latest level.

Related Links:

- IBM Support Website
- Latest level of DSA
- Latest level of BMC/IMM

201-869-002 Standalone Memory Test Aborted

Explanation: EFI/SAL Invalid parameter from GetMemoryMap function.

Severity: Warning

Serviceable: No

Recoverable: No

Automatically notify Support: No

User response: Complete the following steps:

1. Perform the actions mentioned one at a time and try the test after each action.
2. If the problem remains, contact your technical-service representative.
3. Turn off the system and disconnect it from power. Wait for 45 seconds. Reseat DIMM(s). Reconnect it to power.
4. Make sure that DSA and BIOS/uEFI are at the latest level.

Related Links:

- IBM Support Website
- Latest level of DSA
- Latest level of BMC/IMM

201-869-003 Standalone Memory Test Aborted

Explanation: EFI/SAL Invalid parameter from GetMemoryMap function.

Severity: Warning

Serviceable: No

Recoverable: No

Automatically notify Support: No

User response: Complete the following steps:

1. Perform the actions mentioned one at a time and try the test after each action.
2. If the problem remains, contact your technical-service representative.
3. Turn off the system and disconnect it from power. Wait for 45 seconds. Reseat DIMM(s). Reconnect it to power.
4. Make sure that DSA and BIOS/uEFI are at the latest level.

Related Links:

- IBM Support Website
 - Latest level of DSA
 - Latest level of BMC/IMM
-

201-870-000 Standalone Memory Test Aborted

Explanation: CPU Doamin in ACPI not valid.

Severity: Warning

Serviceable: No

Recoverable: No

Automatically notify Support: No

User response: Complete the following steps:

1. Perform the actions mentioned one at a time and try the test after each action.
2. If the problem remains, contact your technical-service representative.
3. Turn off the system and disconnect it from power. Wait for 45 seconds. Reseat DIMM(s). Reconnect it to power.
4. Make sure that DSA and BIOS/uEFI are at the latest level.

Related Links:

- IBM Support Website
- Latest level of DSA
- Latest level of BMC/IMM

201-870-001 Standalone Memory Test Aborted

Explanation: CPU Doamin in ACPI not valid.

Severity: Warning

Serviceable: No

Recoverable: No

Automatically notify Support: No

User response: Complete the following steps:

1. Perform the actions mentioned one at a time and try the test after each action.
2. If the problem remains, contact your technical-service representative.
3. Turn off the system and disconnect it from power. Wait for 45 seconds. Reseat DIMM(s). Reconnect it to power.
4. Make sure that DSA and BIOS/uEFI are at the latest level.

Related Links:

- IBM Support Website
- Latest level of DSA
- Latest level of BMC/IMM

201-870-002 Standalone Memory Test Aborted

Explanation: CPU Doamin in ACPI not valid.

Severity: Warning

Serviceable: No

Recoverable: No

Automatically notify Support: No

User response: Complete the following steps:

1. Perform the actions mentioned one at a time and try the test after each action.
2. If the problem remains, contact your technical-service representative.
3. Turn off the system and disconnect it from power. Wait for 45 seconds. Reseat DIMM(s). Reconnect it to power.
4. Make sure that DSA and BIOS/uEFI are at the latest level.

Related Links:

- IBM Support Website
- Latest level of DSA
- Latest level of BMC/IMM

201-870-003 Standalone Memory Test Aborted

Explanation: CPU Doamin in ACPI not valid.

Severity: Warning

Serviceable: No

Recoverable: No

Automatically notify Support: No

User response: Complete the following steps:

1. Perform the actions mentioned one at a time and try the test after each action.
2. If the problem remains, contact your technical-service representative.
3. Turn off the system and disconnect it from power. Wait for 45 seconds. Reseat DIMM(s). Reconnect it to power.
4. Make sure that DSA and BIOS/uEFI are at the latest level.

Related Links:

- IBM Support Website
- Latest level of DSA
- Latest level of BMC/IMM

201-871-000 Standalone Memory Test Aborted

Explanation: Data Mis-compare encountered.

Severity: Warning

Serviceable: No

Recoverable: No

Automatically notify Support: No

User response: Complete the following steps:

1. Perform the actions mentioned one at a time and try the test after each action.
2. If the problem remains, contact your technical-service representative.
3. Turn off the system and disconnect it from power. Wait for 45 seconds. Reseat DIMM(s). Reconnect it to power.
4. Make sure that DSA and BIOS/uEFI are at the latest level.

Related Links:

- IBM Support Website
- Latest level of DSA
- Latest level of BMC/IMM

201-871-001 Standalone Memory Test Aborted

Explanation: Data Mis-compare encountered.

Severity: Warning

Serviceable: No

Recoverable: No

Automatically notify Support: No

User response: Complete the following steps:

1. Perform the actions mentioned one at a time and try the test after each action.
2. If the problem remains, contact your technical-service representative.
3. Turn off the system and disconnect it from power. Wait for 45 seconds. Reseat DIMM(s). Reconnect it to power.
4. Make sure that DSA and BIOS/uEFI are at the latest level.

Related Links:

- IBM Support Website
 - Latest level of DSA
 - Latest level of BMC/IMM
-

201-871-002 Standalone Memory Test Aborted

Explanation: Data Mis-compare encountered.

Severity: Warning

Serviceable: No

Recoverable: No

Automatically notify Support: No

User response: Complete the following steps:

1. Perform the actions mentioned one at a time and try the test after each action.
2. If the problem remains, contact your technical-service representative.
3. Turn off the system and disconnect it from power. Wait for 45 seconds. Reseat DIMM(s). Reconnect it to power.
4. Make sure that DSA and BIOS/uEFI are at the latest level.

Related Links:

- IBM Support Website
 - Latest level of DSA
 - Latest level of BMC/IMM
-

201-871-003 Standalone Memory Test Aborted

Explanation: Data Mis-compare encountered.

Severity: Warning

Serviceable: No

Recoverable: No

Automatically notify Support: No

User response: Complete the following steps:

1. Perform the actions mentioned one at a time and try the test after each action.
2. If the problem remains, contact your technical-service representative.
3. Turn off the system and disconnect it from power. Wait for 45 seconds. Reseat DIMM(s). Reconnect it to power.
4. Make sure that DSA and BIOS/uEFI are at the latest level.

Related Links:

- IBM Support Website
 - Latest level of DSA
 - Latest level of BMC/IMM
-

201-877-000 Standalone Memory Test Aborted

Explanation: BIOS: Sparing in Extended PCI reg. must be OFF. Go to setup and disable sparing.

Severity: Warning

Serviceable: No

Recoverable: No

Automatically notify Support: No

User response: Complete the following steps:

1. Perform the actions mentioned one at a time and try the test after each action.
2. If the problem remains, contact your technical-service representative.
3. Turn off the system and disconnect it from power. Wait for 45 seconds. Reseat DIMM(s). Reconnect it to power.
4. Make sure that DSA and BIOS/uEFI are at the latest level.

Related Links:

- IBM Support Website
 - Latest level of DSA
 - Latest level of BMC/IMM
-

201-877-001 Standalone Memory Test Aborted

Explanation: BIOS: Sparing in Extended PCI reg. must be OFF. Go to setup and disable sparing.

Severity: Warning

Serviceable: No

Recoverable: No

Automatically notify Support: No

User response: Complete the following steps:

1. Perform the actions mentioned one at a time and try the test after each action.
2. If the problem remains, contact your technical-service representative.
3. Turn off the system and disconnect it from power. Wait for 45 seconds. Reseat DIMM(s). Reconnect it to power.
4. Make sure that DSA and BIOS/uEFI are at the latest level.

Related Links:

- IBM Support Website
 - Latest level of DSA
 - Latest level of BMC/IMM
-

201-877-002 Standalone Memory Test Aborted

Explanation: BIOS: Sparing in Extended PCI reg. must be OFF. Go to setup and disable sparing.

Severity: Warning

Serviceable: No

Recoverable: No

Automatically notify Support: No

User response: Complete the following steps:

1. Perform the actions mentioned one at a time and try the test after each action.
2. If the problem remains, contact your technical-service representative.
3. Turn off the system and disconnect it from power. Wait for 45 seconds. Reseat DIMM(s). Reconnect it to power.
4. Make sure that DSA and BIOS/uEFI are at the latest level.

Related Links:

- IBM Support Website
 - Latest level of DSA
 - Latest level of BMC/IMM
-

201-877-003 Standalone Memory Test Aborted

Explanation: BIOS: Sparing in Extended PCI reg. must be OFF. Go to setup and disable sparing.

Severity: Warning

Serviceable: No

Recoverable: No

Automatically notify Support: No

User response: Complete the following steps:

1. Perform the actions mentioned one at a time and try the test after each action.
2. If the problem remains, contact your technical-service representative.
3. Turn off the system and disconnect it from power. Wait for 45 seconds. Reseat DIMM(s). Reconnect it to power.
4. Make sure that DSA and BIOS/uEFI are at the latest level.

Related Links:

- IBM Support Website
 - Latest level of DSA
 - Latest level of BMC/IMM
-

201-878-000 Standalone Memory Test Aborted

Explanation: Sparing feature must be turned OFF. Go to setup and turn the sparing feature OFF.

Severity: Warning

Serviceable: No

Recoverable: No

Automatically notify Support: No

User response: Complete the following steps:

1. Perform the actions mentioned one at a time and try the test after each action.
2. If the problem remains, contact your technical-service representative.
3. Turn off the system and disconnect it from power. Wait for 45 seconds. Reseat DIMM(s). Reconnect it to power.
4. Make sure that DSA and BIOS/uEFI are at the latest level.

Related Links:

- IBM Support Website
 - Latest level of DSA
 - Latest level of BMC/IMM
-

201-878-001 Standalone Memory Test Aborted

Explanation: Sparing feature must be turned OFF. Go to setup and turn the sparing feature OFF.

Severity: Warning

Serviceable: No

Recoverable: No

Automatically notify Support: No

User response: Complete the following steps:

201-878-002 • 201-878-003

1. Perform the actions mentioned one at a time and try the test after each action.
2. If the problem remains, contact your technical-service representative.
3. Turn off the system and disconnect it from power. Wait for 45 seconds. Reseat DIMM(s). Reconnect it to power.
4. Make sure that DSA and BIOS/uEFI are at the latest level.

Related Links:

- IBM Support Website
- Latest level of DSA
- Latest level of BMC/IMM

201-878-002 Standalone Memory Test Aborted

Explanation: Sparring feature must be turned OFF. Go to setup and turn the sparing feature OFF.

Severity: Warning

Serviceable: No

Recoverable: No

Automatically notify Support: No

User response: Complete the following steps:

1. Perform the actions mentioned one at a time and try the test after each action.
2. If the problem remains, contact your technical-service representative.
3. Turn off the system and disconnect it from power. Wait for 45 seconds. Reseat DIMM(s). Reconnect it to power.
4. Make sure that DSA and BIOS/uEFI are at the latest level.

Related Links:

- IBM Support Website
- Latest level of DSA
- Latest level of BMC/IMM

201-878-003 Standalone Memory Test Aborted

Explanation: Sparring feature must be turned OFF. Go to setup and turn the sparing feature OFF.

Severity: Warning

Serviceable: No

Recoverable: No

Automatically notify Support: No

User response: Complete the following steps:

1. Perform the actions mentioned one at a time and try the test after each action.
2. If the problem remains, contact your technical-service representative.
3. Turn off the system and disconnect it from power. Wait for 45 seconds. Reseat DIMM(s). Reconnect it to power.
4. Make sure that DSA and BIOS/uEFI are at the latest level.

Related Links:

- IBM Support Website
 - Latest level of DSA
 - Latest level of BMC/IMM
-

201-885-000 Standalone Memory Test Aborted

Explanation: Processor does not support MTRR register manipulation. Can not write to memory without cache.

Severity: Warning

Serviceable: No

Recoverable: No

Automatically notify Support: No

User response: Complete the following steps:

1. Perform the actions mentioned one at a time and try the test after each action.
2. If the problem remains, contact your technical-service representative.
3. Turn off the system and disconnect it from power. Wait for 45 seconds. Reseat DIMM(s). Reconnect it to power.
4. Make sure that DSA and BIOS/uEFI are at the latest level.

Related Links:

- IBM Support Website
- Latest level of DSA
- Latest level of BMC/IMM

201-885-001 Standalone Memory Test Aborted

Explanation: Processor does not support MTRR register manipulation. Can not write to memory without cache.

Severity: Warning

Serviceable: No

Recoverable: No

Automatically notify Support: No

User response: Complete the following steps:

1. Perform the actions mentioned one at a time and try the test after each action.
2. If the problem remains, contact your technical-service representative.
3. Turn off the system and disconnect it from power. Wait for 45 seconds. Reseat DIMM(s). Reconnect it to power.
4. Make sure that DSA and BIOS/uEFI are at the latest level.

Related Links:

- IBM Support Website
- Latest level of DSA
- Latest level of BMC/IMM

201-885-002 Standalone Memory Test Aborted

Explanation: Processor does not support MTRR register manipulation. Can not write to memory without cache.

Severity: Warning

Serviceable: No

Recoverable: No

Automatically notify Support: No

User response: Complete the following steps:

1. Perform the actions mentioned one at a time and try the test after each action.
2. If the problem remains, contact your technical-service representative.
3. Turn off the system and disconnect it from power. Wait for 45 seconds. Reseat DIMM(s). Reconnect it to power.
4. Make sure that DSA and BIOS/uEFI are at the latest level.

201-885-003 • 201-886-001

Related Links:

- IBM Support Website
- Latest level of DSA
- Latest level of BMC/IMM

201-885-003 Standalone Memory Test Aborted

Explanation: Processor does not support MTRR register manipulation. Can not write to memory without cache.

Severity: Warning

Serviceable: No

Recoverable: No

Automatically notify Support: No

User response: Complete the following steps:

1. Perform the actions mentioned one at a time and try the test after each action.
2. If the problem remains, contact your technical-service representative.
3. Turn off the system and disconnect it from power. Wait for 45 seconds. Reseat DIMM(s). Reconnect it to power.
4. Make sure that DSA and BIOS/uEFI are at the latest level.

Related Links:

- IBM Support Website
- Latest level of DSA
- Latest level of BMC/IMM

201-886-000 Standalone Memory Test Aborted

Explanation: Memory Upper limit is less than 16 Mbytes.

Severity: Warning

Serviceable: No

Recoverable: No

Automatically notify Support: No

User response: Complete the following steps:

1. Perform the actions mentioned one at a time and try the test after each action.
2. If the problem remains, contact your technical-service representative.
3. Turn off the system and disconnect it from power. Wait for 45 seconds. Reseat DIMM(s). Reconnect it to power.
4. Make sure that DSA and BIOS/uEFI are at the latest level.

Related Links:

- IBM Support Website
- Latest level of DSA
- Latest level of BMC/IMM

201-886-001 Standalone Memory Test Aborted

Explanation: Memory Upper limit is less than 16 Mbytes.

Severity: Warning

Serviceable: No

Recoverable: No

Automatically notify Support: No

User response: Complete the following steps:

1. Perform the actions mentioned one at a time and try the test after each action.
2. If the problem remains, contact your technical-service representative.
3. Turn off the system and disconnect it from power. Wait for 45 seconds. Reseat DIMM(s). Reconnect it to power.
4. Make sure that DSA and BIOS/uEFI are at the latest level.

Related Links:

- IBM Support Website
- Latest level of DSA
- Latest level of BMC/IMM

201-886-002 Standalone Memory Test Aborted

Explanation: Memory Upper limit is less than 16 Mbytes.

Severity: Warning

Serviceable: No

Recoverable: No

Automatically notify Support: No

User response: Complete the following steps:

1. Perform the actions mentioned one at a time and try the test after each action.
2. If the problem remains, contact your technical-service representative.
3. Turn off the system and disconnect it from power. Wait for 45 seconds. Reseat DIMM(s). Reconnect it to power.
4. Make sure that DSA and BIOS/uEFI are at the latest level.

Related Links:

- IBM Support Website
- Latest level of DSA
- Latest level of BMC/IMM

201-886-003 Standalone Memory Test Aborted

Explanation: Memory Upper limit is less than 16 Mbytes.

Severity: Warning

Serviceable: No

Recoverable: No

Automatically notify Support: No

User response: Complete the following steps:

1. Perform the actions mentioned one at a time and try the test after each action.
2. If the problem remains, contact your technical-service representative.
3. Turn off the system and disconnect it from power. Wait for 45 seconds. Reseat DIMM(s). Reconnect it to power.
4. Make sure that DSA and BIOS/uEFI are at the latest level.

Related Links:

- IBM Support Website
- Latest level of DSA
- Latest level of BMC/IMM

201-899-000 Standalone Memory Test Aborted

Explanation: Memory Diagnostics Test Aborted by user.

Severity: Warning

Serviceable: No

Recoverable: No

Automatically notify Support: No

Related Links:

- IBM Support Website
 - Latest level of DSA
 - Latest level of BMC/IMM
-

201-899-001 Standalone Memory Test Aborted

Explanation: Memory Diagnostics Test Aborted by user.

Severity: Warning

Serviceable: No

Recoverable: No

Automatically notify Support: No

Related Links:

- IBM Support Website
 - Latest level of DSA
 - Latest level of BMC/IMM
-

201-899-002 Standalone Memory Test Aborted

Explanation: Memory Diagnostics Test Aborted by user.

Severity: Warning

Serviceable: No

Recoverable: No

Automatically notify Support: No

Related Links:

- IBM Support Website
 - Latest level of DSA
 - Latest level of BMC/IMM
-

201-899-003 Standalone Memory Test Aborted

Explanation: Memory Diagnostics Test Aborted by user.

Severity: Warning

Serviceable: No

Recoverable: No

Automatically notify Support: No

Related Links:

- IBM Support Website
- Latest level of DSA
- Latest level of BMC/IMM

201-901-000 Standalone Memory Test Failed

Explanation: Memory Diagnostics Test Failed.

Severity: Error

Serviceable: Yes

Recoverable: No

Automatically notify Support: No

User response: Complete the following steps:

1. Perform the actions mentioned one at a time and try the test after each action.
2. If the problem remains, contact your technical-service representative.
3. Turn off the system and disconnect it from power. Wait for 45 seconds. Reseat DIMM(s). Reconnect it to power.
4. Make sure that DSA and BIOS/uEFI are at the latest level.
5. Replace any DIMMS(s) mentioned in error, one by one.
6. Make sure that all DIMMs are enabled in the Configuration/Setup Utility program.
7. If failure remains, refer to "Troubleshooting by symptom" in the system "Installation and Service Guide" for the next corrective action.

Related Links:

- IBM Support Website
- Latest level of DSA
- Latest level of BMC/IMM

201-901-001 Standalone Memory Test Failed

Explanation: Memory Diagnostics Test Failed.

Severity: Error

Serviceable: Yes

Recoverable: No

Automatically notify Support: No

User response: Complete the following steps:

1. Perform the actions mentioned one at a time and try the test after each action.
2. If the problem remains, contact your technical-service representative.
3. Turn off the system and disconnect it from power. Wait for 45 seconds. Reseat DIMM(s). Reconnect it to power.
4. Make sure that DSA and BIOS/uEFI are at the latest level.
5. Replace any DIMMS(s) mentioned in error, one by one.
6. Make sure that all DIMMs are enabled in the Configuration/Setup Utility program.
7. If failure remains, refer to "Troubleshooting by symptom" in the system "Installation and Service Guide" for the next corrective action.

Related Links:

- IBM Support Website
- Latest level of DSA
- Latest level of BMC/IMM

201-901-002 Standalone Memory Test Failed

Explanation: Memory Diagnostics Test Failed.

Severity: Error

Serviceable: Yes

Recoverable: No

Automatically notify Support: No

User response: Complete the following steps:

1. Perform the actions mentioned one at a time and try the test after each action.
2. If the problem remains, contact your technical-service representative.
3. Turn off the system and disconnect it from power. Wait for 45 seconds. Reseat DIMM(s). Reconnect it to power.
4. Make sure that DSA and BIOS/uEFI are at the latest level.
5. Replace any DIMMS(s) mentioned in error, one by one.
6. Make sure that all DIMMs are enabled in the Configuration/Setup Utility program.
7. If failure remains, refer to "Troubleshooting by symptom" in the system "Installation and Service Guide" for the next corrective action.

Related Links:

- IBM Support Website
- Latest level of DSA
- Latest level of BMC/IMM

201-901-003 Standalone Memory Test Failed

Explanation: Memory Diagnostics Test Failed.

Severity: Error

Serviceable: Yes

Recoverable: No

Automatically notify Support: No

User response: Complete the following steps:

1. Perform the actions mentioned one at a time and try the test after each action.
2. If the problem remains, contact your technical-service representative.
3. Turn off the system and disconnect it from power. Wait for 45 seconds. Reseat DIMM(s). Reconnect it to power.
4. Make sure that DSA and BIOS/uEFI are at the latest level.
5. Replace any DIMMS(s) mentioned in error, one by one.
6. Make sure that all DIMMs are enabled in the Configuration/Setup Utility program.
7. If failure remains, refer to "Troubleshooting by symptom" in the system "Installation and Service Guide" for the next corrective action.

Related Links:

- IBM Support Website
- Latest level of DSA
- Latest level of BMC/IMM

DSA optical drive test results

The following messages can result when you run the optical drive test.

215-000-000 Optical Drive Test Passed

Explanation: Optical Drive Test Passed.

Severity: Event

Serviceable: No

Recoverable: No

Automatically notify Support: No

Related Links:

- IBM Support Website
 - Latest level of DSA
 - Latest level of BMC/IMM
-

215-801-000 Optical Drive Test Aborted

Explanation: Optical Drive Test Aborted. Unable to communicate with driver.

Severity: Warning

Serviceable: Yes

Recoverable: No

Automatically notify Support: No

User response: Complete the following steps:

1. Make sure that the DSA Diagnostic code is at the latest level.
2. Run the test again.
3. Check the drive cabling for loose or broken connections at both ends or damage to the cable. Replace the cable if damage is present.
4. Run the test again.
5. Check system firmware level and upgrade if necessary. The installed firmware level can be found in the DSA Diagnostic Event Log within the Firmware/VPD section for this component.
6. Run the test again.

Related Links:

- IBM Support Website
 - Latest level of DSA
 - Latest level of BMC/IMM
-

215-802-000 Optical Drive Test Aborted

Explanation: Optical Drive Test Aborted. A read error was encountered.

Severity: Warning

Serviceable: Yes

Recoverable: No

Automatically notify Support: No

User response: Complete the following steps:

1. Insert a new CD or DVD into the drive and wait for 15 seconds for the media to be recognized. Rerun the test.
2. Check the drive cabling for loose or broken connections at both ends or damage to the cable. Replace the cable if damage is present.
3. Run the test again.
4. If failure remains, refer to "Troubleshooting by symptom" in the system "Installation and Service Guide" for the next corrective action.

Related Links:

- IBM Support Website
 - Latest level of DSA
 - Latest level of BMC/IMM
-

215-803-000 Optical Drive Test Failed

Explanation: Optical Drive Test Failed. Disk may be in use by the operating system.

Severity: Error

Serviceable: Yes

Recoverable: No

Automatically notify Support: No

User response: Complete the following steps:

1. Wait for the system activity to cease
2. Run the test again
3. Turn off and restart the system.
4. Run the test again.

Related Links:

- IBM Support Website
 - Latest level of DSA
 - Latest level of BMC/IMM
-

215-804-000 Optical Drive Test Aborted

Explanation: Optical Drive Test Aborted. The media tray is open.

Severity: Warning

Serviceable: Yes

Recoverable: No

Automatically notify Support: No

User response: Complete the following steps:

1. Close the media tray and wait for 15 seconds for the media to be recognized. Run the test again.
2. Insert a new CD or DVD into the drive and wait for 15 seconds for the media to be recognized. Rerun the test.
3. Check the drive cabling for loose or broken connections at both ends or damage to the cable. Replace the cable if damage is present.
4. Run the test again.
5. If failure remains, refer to "Troubleshooting by symptom" in the system "Installation and Service Guide" for the next corrective action.

Related Links:

- IBM Support Website
 - Latest level of DSA
 - Latest level of BMC/IMM
-

215-901-000 Optical Drive Test Aborted

Explanation: Optical Drive Test Aborted. Drive media is not detected.

Severity: Warning

Serviceable: Yes

Recoverable: No

Automatically notify Support: No

User response: Complete the following steps:

1. Insert a new CD or DVD into the drive and wait for 15 seconds for the media to be recognized. Rerun the test.

2. Check the drive cabling for loose or broken connections at both ends or damage to the cable. Replace the cable if damage is present.
3. Run the test again.
4. If failure remains, refer to "Troubleshooting by symptom" in the system "Installation and Service Guide" for the next corrective action.

Related Links:

- IBM Support Website
- Latest level of DSA
- Latest level of BMC/IMM

215-902-000 Optical Drive Test Failed

Explanation: Optical Drive Test Failed. Read miscompare.

Severity: Error

Serviceable: Yes

Recoverable: No

Automatically notify Support: No

User response: Complete the following steps:

1. Insert a new CD or DVD into the drive and wait for 15 seconds for the media to be recognized. Rerun the test.
2. Check the drive cabling for loose or broken connections at both ends or damage to the cable. Replace the cable if damage is present.
3. Run the test again.
4. If failure remains, refer to "Troubleshooting by symptom" in the system "Installation and Service Guide" for the next corrective action.

Related Links:

- IBM Support Website
- Latest level of DSA
- Latest level of BMC/IMM

215-903-000 Optical Drive Test Aborted

Explanation: Optical Drive Test Aborted. Could not access the device.

Severity: Warning

Serviceable: Yes

Recoverable: No

Automatically notify Support: No

User response: Complete the following steps:

1. Insert a new CD or DVD into the drive and wait for 15 seconds for the media to be recognized. Rerun the test.
2. Check the drive cabling for loose or broken connections at both ends or damage to the cable. Replace the cable if damage is present.
3. Run the test again.
4. Check system firmware level and upgrade if necessary. The installed firmware level can be found in the DSA Diagnostic Event Log within the Firmware/VPD section for this component.
5. Run the test again.
6. If failure remains, refer to "Troubleshooting by symptom" in the system "Installation and Service Guide" for the next corrective action.

Related Links:

- IBM Support Website

- Latest level of DSA
- Latest level of BMC/IMM

DSA tape drive test results

The following messages can result when you run the tape drive test.

264-000-000 Tape Test Passed

Explanation: Tape Test Passed.

Severity: Event

Serviceable: No

Recoverable: No

Automatically notify Support: No

Related Links:

- IBM Support Website
- Latest level of DSA
- Latest level of BMC/IMM

264-901-000 Tape Test Failed

Explanation: An error was found in the tape alert log.

Severity: Error

Serviceable: Yes

Recoverable: No

Automatically notify Support: No

User response: Complete the following steps:

1. Clean the tape drive using the appropriate cleaning media and install new media.
2. Run the test again.
3. Clear the error log.
4. Run the test again.
5. Make sure that the drive firmware is at the latest level.
6. Rerun the test after upgrading to the latest firmware level.
7. If the failure remains, refer to "Troubleshooting by symptom" in the system "Installation and Service Guide" for the next corrective action.

Related Links:

- IBM Support Website
- Latest level of DSA
- Latest level of BMC/IMM

264-902-000 Tape Test Failed

Explanation: Tape Test Failed. Media is not detected.

Severity: Error

Serviceable: Yes

Recoverable: No

Automatically notify Support: No

User response: Complete the following steps:

1. Clean the tape drive using the appropriate cleaning media and install new media.

2. Run the test again.
3. Make sure that the drive firmware is at the latest level.
4. Rerun the test after upgrading to the latest firmware level.
5. If the failure remains, refer to "Troubleshooting by symptom" in the system "Installation and Service Guide" for the next corrective action.

Related Links:

- IBM Support Website
- Latest level of DSA
- Latest level of BMC/IMM

264-903-000 Tape Test Failed

Explanation: Tape Test Failed. Media is not detected.

Severity: Error

Serviceable: Yes

Recoverable: No

Automatically notify Support: No

User response: Complete the following steps:

1. Clean the tape drive using the appropriate cleaning media and install new media.
2. Run the test again.
3. Make sure that the drive firmware is at the latest level.
4. Rerun the test after upgrading to the latest firmware level.
5. If the failure remains, refer to "Troubleshooting by symptom" in the system "Installation and Service Guide" for the next corrective action.

Related Links:

- IBM Support Website
- Latest level of DSA
- Latest level of BMC/IMM

264-904-000 Tape Test Failed

Explanation: Tape Test Failed. Drive hardware error.

Severity: Error

Serviceable: Yes

Recoverable: No

Automatically notify Support: No

User response: Complete the following steps:

1. Check the tape drive cabling for loose or broken connections or damage to the cable. Replace the cable if damage is present.
2. Clean the tape drive using the appropriate cleaning media and install new media.
3. Run the test again.
4. Make sure that the drive firmware is at the latest level.
5. Rerun the test after upgrading to the latest firmware level.
6. If the failure remains, refer to "Troubleshooting by symptom" in the system "Installation and Service Guide" for the next corrective action.

Related Links:

- IBM Support Website
- Latest level of DSA

- Latest level of BMC/IMM

264-905-000 Tape Test Failed

Explanation: Tape Test Failed. Software error: invalid request.

Severity: Error

Serviceable: Yes

Recoverable: No

Automatically notify Support: No

User response: Complete the following steps:

1. If the system has stopped responding, turn off and restart the system.
2. Check the system firmware level and upgrade if necessary. The installed firmware level can be found in the DSA Diagnostic Event Log within the Firmware/VPD section for this component.
3. Run the test again.
4. If the system has stopped responding, turn off and restart the system.
5. Make sure that the drive firmware is at the latest level.
6. Run the test again.
7. If the failure remains, refer to "Troubleshooting by symptom" in the system "Installation and Service Guide" for the next corrective action.

Related Links:

- IBM Support Website
- Latest level of DSA
- Latest level of BMC/IMM

264-906-000 Tape Test Failed

Explanation: Tape Test Failed. Unrecognized error.

Severity: Error

Serviceable: Yes

Recoverable: No

Automatically notify Support: No

User response: Complete the following steps:

1. Clean the tape drive using the appropriate cleaning media and install new media.
2. Run the test again.
3. Make sure that the drive firmware is at the latest level.
4. Rerun the test after upgrading to the latest firmware level.
5. Make sure that the DSA Diagnostic code is at the latest level.
6. Run the test again.
7. Check the system firmware level and upgrade if necessary.
8. Run the test again.
9. If the failure remains, refer to "Troubleshooting by symptom" in the system "Installation and Service Guide" for the next corrective action.

Related Links:

- IBM Support Website
- Latest level of DSA
- Latest level of BMC/IMM

264-907-000 Tape Test Failed

Explanation: An error was found in the block address somewhere.

Severity: Error

Serviceable: Yes

Recoverable: No

Automatically notify Support: No

User response: Complete the following steps:

1. Clean the tape drive using the appropriate cleaning media and install new media.

Related Links:

- IBM Support Website
- Latest level of DSA
- Latest level of BMC/IMM

264-908-000 Tape Test Failed

Explanation: An error was found in getting tape capacity.

Severity: Error

Serviceable: Yes

Recoverable: No

Automatically notify Support: No

User response: Complete the following steps:

1. Make sure that medium is present.
2. Clean the tape drive using the appropriate cleaning media and install new media.

Related Links:

- IBM Support Website
- Latest level of DSA
- Latest level of BMC/IMM

DSA hard drive test results

The following messages can result when you run the hard drive test.

217-000-000 HDD Test Passed

Explanation: HDD Stress Test Passed.

Severity: Event

Serviceable: No

Recoverable: No

Automatically notify Support: No

Related Links:

- IBM Support Website
 - Latest level of DSA
 - Latest level of BMC/IMM
-

217-800-000 HDD Test Aborted

Explanation: HDD Test Aborted. The test was canceled.

Severity: Warning

Serviceable: Yes

Recoverable: No

Automatically notify Support: No

User response: Complete the following steps:

1. Check cable connections.
2. Rerun the test.
3. Verify that Hard drive supports self test and self test logging.
4. If the problem remains, contact your technical-support representative.

Related Links:

- IBM Support Website
 - Latest level of DSA
 - Latest level of BMC/IMM
-

217-900-000 HDD Test Failed

Explanation: HDD Test Failed. The hard drive self-test detected a failure.

Severity: Error

Serviceable: Yes

Recoverable: No

Automatically notify Support: No

User response: Complete the following steps:

1. Check cable connections.
2. Rerun the test.
3. Verify the firmware is at the latest level.
4. Rerun the test.
5. If the problem remains, contact your technical-support representative.

Related Links:

- IBM Support Website
- Latest level of DSA
- Latest level of BMC/IMM

DSA LSI hard drive test results

The following messages can result when you run the LSI hard drive test.

407-000-000 LSIESG:DiskDefaultDiagnostic Test Passed

Explanation: The test passed.

Severity: Event

Serviceable: No

Recoverable: No

Automatically notify Support: No

Related Links:

- IBM Support Website

- Latest level of DSA
- Latest level of BMC/IMM

407-800-000 LSIESG:DiskDefaultDiagnostic Test Aborted

Explanation: The test was canceled.

Severity: Warning

Serviceable: No

Recoverable: No

Automatically notify Support: No

Related Links:

- IBM Support Website
- Latest level of DSA
- Latest level of BMC/IMM

407-900-000 LSIESG:DiskDefaultDiagnostic Test Failed

Explanation: The hard drive self-test detected a failure.

Severity: Error

Serviceable: Yes

Recoverable: No

Automatically notify Support: No

User response: Complete the following steps:

1. Check cable connections.
2. Rerun the test.
3. Verify whether the firmware is at the latest level.
4. Rerun the test.
5. If the problem remains, contact your IBM technical-support representative.

Related Links:

- IBM Support Website
- Latest level of DSA
- Latest level of BMC/IMM

DSA Nvidia GPU test results

The following messages can result when you run the Nvidia GPU test.

409-000-000 NVIDIA User Diagnostic Test Passed

Explanation: NVIDIA User Diagnostic test passed.

Severity: Event

Serviceable: No

Recoverable: No

Automatically notify Support: No

Related Links:

- IBM Support Website
- Latest level of DSA
- Latest level of BMC/IMM

409-003-000 Nvidia::DiagnosticServiceProvider::Bandwidth Test Passed

Explanation: Nvidia GPU Bandwidth test passed.

Severity: Event

Serviceable: No

Recoverable: No

Automatically notify Support: No

Related Links:

- IBM Support Website
 - Latest level of DSA
 - Latest level of BMC/IMM
-

409-004-000 Nvidia::DiagnosticServiceProvider::Query Test Passed

Explanation: Nvidia GPU Query test passed.

Severity: Event

Serviceable: No

Recoverable: No

Automatically notify Support: No

Related Links:

- IBM Support Website
 - Latest level of DSA
 - Latest level of BMC/IMM
-

409-005-000 Nvidia::DiagnosticServiceProvider::Matrix Test Passed

Explanation: Nvidia GPU Matrix test passed.

Severity: Event

Serviceable: No

Recoverable: No

Automatically notify Support: No

Related Links:

- IBM Support Website
 - Latest level of DSA
 - Latest level of BMC/IMM
-

409-006-000 Nvidia::DiagnosticServiceProvider::Binomial Test Passed

Explanation: Nvidia GPU Binomial test passed.

Severity: Event

Serviceable: No

Recoverable: No

Automatically notify Support: No

Related Links:

- IBM Support Website
- Latest level of DSA
- Latest level of BMC/IMM

409-800-000 NVIDIA User Diagnostic Test Aborted

Explanation: NVIDIA User Diagnostic test was canceled.

Severity: Event

Serviceable: No

Recoverable: No

Automatically notify Support: No

Related Links:

- IBM Support Website
- Latest level of DSA
- Latest level of BMC/IMM

409-803-000 Nvidia::DiagnosticServiceProvider::Bandwidth Test Aborted

Explanation: Nvidia GPU Bandwidth test was canceled.

Severity: Warning

Serviceable: No

Recoverable: No

Automatically notify Support: No

Related Links:

- IBM Support Website
- Latest level of DSA
- Latest level of BMC/IMM

409-804-000 Nvidia::DiagnosticServiceProvider::Query Test Aborted

Explanation: Nvidia GPU Query test was canceled.

Severity: Warning

Serviceable: No

Recoverable: No

Automatically notify Support: No

Related Links:

- IBM Support Website
- Latest level of DSA
- Latest level of BMC/IMM

409-805-000 Nvidia::DiagnosticServiceProvider::Matrix Test Aborted

Explanation: Nvidia GPU Matrix test was canceled.

Severity: Warning

Serviceable: No

Recoverable: No

Automatically notify Support: No

Related Links:

- IBM Support Website
- Latest level of DSA
- Latest level of BMC/IMM

409-806-000 Nvidia::DiagnosticServiceProvider::Binomial Test Aborted

Explanation: Nvidia GPU Binomial test was canceled.

Severity: Warning

Serviceable: No

Recoverable: No

Automatically notify Support: No

Related Links:

- IBM Support Website
 - Latest level of DSA
 - Latest level of BMC/IMM
-

409-900-000 NVIDIA User Diagnostic Test Failed

Explanation: NVIDIA User Diagnostic Test Failed.

Severity: Event

Serviceable: Yes

Recoverable: No

Automatically notify Support: No

User response: Complete the following steps:

1. Verify that the GPU is seated in the PCIe slot correctly by reseating the GPU. Then power cycle the system.
2. Verify that the power connectors to the GPU are connected firmly. Then power cycle the system.
3. Run `nvidia-smi -q` In some cases this will report a poorly connected power cable.
4. Rerun the diagnostics, using the same GPU, on system that is known to be working. A variety of system issues can cause diagnostic failure.
5. If the problem remains, contact your IBM technical-support representative.

Related Links:

- IBM Support Website
 - Latest level of DSA
 - Latest level of BMC/IMM
-

409-903-000 Nvidia::DiagnosticServiceProvider::Bandwidth Test Failed

Explanation: Nvidia GPU Bandwidth Test Failed.

Severity: Error

Serviceable: Yes

Recoverable: No

Automatically notify Support: No

User response: Complete the following steps:

1. Verify that the GPU is seated in the PCIe slot correctly by reseating the GPU. Then power cycle the system.
2. Verify that the power connectors to the GPU are connected firmly. Then power cycle the system.
3. Run `nvidia-smi -q` In some cases this will report a poorly connected power cable.
4. Rerun the diagnostics, using the same GPU, on system that is known to be working. A variety of system issues can cause diagnostic failure.
5. If the problem remains, contact your IBM technical-support representative.

Related Links:

- IBM Support Website

- Latest level of DSA
- Latest level of BMC/IMM

409-904-000 Nvidia::DiagnosticServiceProvider::Query Test Failed

Explanation: Nvidia GPU Query Test Failed.

Severity: Error

Serviceable: Yes

Recoverable: No

Automatically notify Support: No

User response: Complete the following steps:

1. Verify that the GPU is seated in the PCIe slot correctly by reseating the GPU. Then power cycle the system.
2. Verify that the power connectors to the GPU are connected firmly. Then power cycle the system.
3. Run `nvidia-smi -q` In some cases this will report a poorly connected power cable.
4. Rerun the diagnostics, using the same GPU, on system that is known to be working. A variety of system issues can cause diagnostic failure.
5. If the problem remains, contact your IBM technical-support representative.

Related Links:

- IBM Support Website
- Latest level of DSA
- Latest level of BMC/IMM

409-905-000 Nvidia::DiagnosticServiceProvider::Matrix Test Failed

Explanation: Nvidia GPU Matrix Test Failed.

Severity: Error

Serviceable: Yes

Recoverable: No

Automatically notify Support: No

User response: Complete the following steps:

1. Verify that the GPU is seated in the PCIe slot correctly by reseating the GPU. Then power cycle the system.
2. Verify that the power connectors to the GPU are connected firmly. Then power cycle the system.
3. Run `nvidia-smi -q` In some cases this will report a poorly connected power cable.
4. Rerun the diagnostics, using the same GPU, on system that is known to be working. A variety of system issues can cause diagnostic failure.
5. If the problem remains, contact your IBM technical-support representative.

Related Links:

- IBM Support Website
- Latest level of DSA
- Latest level of BMC/IMM

409-906-000 Nvidia::DiagnosticServiceProvider::Binomial Test Failed

Explanation: Nvidia GPU Binomial Test Failed.

Severity: Error

Serviceable: Yes

Recoverable: No

Automatically notify Support: No

User response: Complete the following steps:

1. Verify that the GPU is seated in the PCIe slot correctly by reseating the GPU. Then power cycle the system.
2. Verify that the power connectors to the GPU are connected firmly. Then power cycle the system.
3. Run `nvidia-smi -q` In some cases this will report a poorly connected power cable.
4. Rerun the diagnostics, using the same GPU, on system that is known to be working. A variety of system issues can cause diagnostic failure.
5. If the problem remains, contact your IBM technical-support representative.

Related Links:

- IBM Support Website
- Latest level of DSA
- Latest level of BMC/IMM

DSA system management test results

The following messages can result when you run the system management test.

166-000-001 IMM I2C Test Passed

Explanation: IMM I2C Test Passed.

Severity: Event

Serviceable: No

Recoverable: No

Automatically notify Support: No

Related Links:

- IBM Support Website
- Latest level of DSA
- Latest level of BMC/IMM

166-801-001 IMM I2C Test Aborted

Explanation: IMM returned incorrect response length.

Severity: Warning

Serviceable: Yes

Recoverable: No

Automatically notify Support: No

User response: Perform the actions mentioned one at a time and try the test after each action:

1. Turn off the system and disconnect it from power. Wait for 45 seconds. Reconnect it to power.
2. Make sure that DSA and BMC/IMM are at the latest level.

Related Links:

- IBM Support Website
- Latest level of DSA
- Latest level of BMC/IMM

166-802-001 IMM I2C Test Aborted

Explanation: Test cannot be completed for unknown reason.

Severity: Warning

Serviceable: Yes

Recoverable: No

Automatically notify Support: No

User response: Perform the actions mentioned one at a time and try the test after each action:

1. Turn off the system and disconnect it from power. Wait for 45 seconds. Reconnect it to power.
2. Make sure that DSA and BMC/IMM are at the latest level.

Related Links:

- IBM Support Website
 - Latest level of DSA
 - Latest level of BMC/IMM
-

166-803-001 IMM I2C Test Aborted

Explanation: Node Busy. Try later.

Severity: Warning

Serviceable: Yes

Recoverable: No

Automatically notify Support: No

User response: Perform the actions mentioned one at a time and try the test after each action:

1. Turn off the system and disconnect it from power. Wait for 45 seconds. Reconnect it to power.
2. Make sure that DSA and BMC/IMM are at the latest level.

Related Links:

- IBM Support Website
 - Latest level of DSA
 - Latest level of BMC/IMM
-

166-804-001 IMM I2C Test Aborted

Explanation: Invalid Command.

Severity: Warning

Serviceable: Yes

Recoverable: No

Automatically notify Support: No

User response: Perform the actions mentioned one at a time and try the test after each action:

1. Turn off the system and disconnect it from power. Wait for 45 seconds. Reconnect it to power.
2. Make sure that DSA and BMC/IMM are at the latest level.

Related Links:

- IBM Support Website
 - Latest level of DSA
 - Latest level of BMC/IMM
-

166-805-001 IMM I2C Test Aborted

Explanation: Invalid Command for given LUN.

Severity: Warning

Serviceable: Yes

Recoverable: No

166-806-001 • 166-808-001

Automatically notify Support: No

User response: Perform the actions mentioned one at a time and try the test after each action:

1. Turn off the system and disconnect it from power. Wait for 45 seconds. Reconnect it to power.
2. Make sure that DSA and BMC/IMM are at the latest level.

Related Links:

- IBM Support Website
- Latest level of DSA
- Latest level of BMC/IMM

166-806-001 IMM I2C Test Aborted

Explanation: Timeout while processing command.

Severity: Warning

Serviceable: Yes

Recoverable: No

Automatically notify Support: No

User response: Perform the actions mentioned one at a time and try the test after each action:

1. Turn off the system and disconnect it from power. Wait for 45 seconds. Reconnect it to power.
2. Make sure that DSA and BMC/IMM are at the latest level.

Related Links:

- IBM Support Website
- Latest level of DSA
- Latest level of BMC/IMM

166-807-001 IMM I2C Test Aborted

Explanation: Out of space.

Severity: Warning

Serviceable: Yes

Recoverable: No

Automatically notify Support: No

User response: Perform the actions mentioned one at a time and try the test after each action:

1. Turn off the system and disconnect it from power. Wait for 45 seconds. Reconnect it to power.
2. Make sure that DSA and BMC/IMM are at the latest level.

Related Links:

- IBM Support Website
- Latest level of DSA
- Latest level of BMC/IMM

166-808-001 IMM I2C Test Aborted

Explanation: Reservation Canceled or Invalid Reservation ID.

Severity: Warning

Serviceable: Yes

Recoverable: No

Automatically notify Support: No

User response: Perform the actions mentioned one at a time and try the test after each action:

1. Turn off the system and disconnect it from power. Wait for 45 seconds. Reconnect it to power.
2. Make sure that DSA and BMC/IMM are at the latest level.

Related Links:

- IBM Support Website
 - Latest level of DSA
 - Latest level of BMC/IMM
-

166-809-001 IMM I2C Test Aborted

Explanation: Request data truncated.

Severity: Warning

Serviceable: Yes

Recoverable: No

Automatically notify Support: No

User response: Perform the actions mentioned one at a time and try the test after each action:

1. Turn off the system and disconnect it from power. Wait for 45 seconds. Reconnect it to power.
2. Make sure that DSA and BMC/IMM are at the latest level.

Related Links:

- IBM Support Website
 - Latest level of DSA
 - Latest level of BMC/IMM
-

166-810-001 IMM I2C Test Aborted

Explanation: Request data length invalid.

Severity: Warning

Serviceable: Yes

Recoverable: No

Automatically notify Support: No

User response: Perform the actions mentioned one at a time and try the test after each action:

1. Turn off the system and disconnect it from power. Wait for 45 seconds. Reconnect it to power.
2. Make sure that DSA and BMC/IMM are at the latest level.

Related Links:

- IBM Support Website
 - Latest level of DSA
 - Latest level of BMC/IMM
-

166-811-001 IMM I2C Test Aborted

Explanation: Request data field length limit exceeded.

Severity: Warning

Serviceable: Yes

Recoverable: No

Automatically notify Support: No

User response: Perform the actions mentioned one at a time and try the test after each action:

1. Turn off the system and disconnect it from power. Wait for 45 seconds. Reconnect it to power.

2. Make sure that DSA and BMC/IMM are at the latest level.

Related Links:

- IBM Support Website
- Latest level of DSA
- Latest level of BMC/IMM

166-812-001 IMM I2C Test Aborted

Explanation: Parameter out of range.

Severity: Warning

Serviceable: Yes

Recoverable: No

Automatically notify Support: No

User response: Perform the actions mentioned one at a time and try the test after each action:

1. Turn off the system and disconnect it from power. Wait for 45 seconds. Reconnect it to power.
2. Make sure that DSA and BMC/IMM are at the latest level.

Related Links:

- IBM Support Website
- Latest level of DSA
- Latest level of BMC/IMM

166-813-001 IMM I2C Test Aborted

Explanation: Cannot return number of requested data bytes.

Severity: Warning

Serviceable: Yes

Recoverable: No

Automatically notify Support: No

User response: Perform the actions mentioned one at a time and try the test after each action:

1. Turn off the system and disconnect it from power. Wait for 45 seconds. Reconnect it to power.
2. Make sure that DSA and BMC/IMM are at the latest level.

Related Links:

- IBM Support Website
- Latest level of DSA
- Latest level of BMC/IMM

166-814-001 IMM I2C Test Aborted

Explanation: Requested Sensor, data, or record not present.

Severity: Warning

Serviceable: Yes

Recoverable: No

Automatically notify Support: No

User response: Perform the actions mentioned one at a time and try the test after each action:

1. Turn off the system and disconnect it from power. Wait for 45 seconds. Reconnect it to power.
2. Make sure that DSA and BMC/IMM are at the latest level.

Related Links:

- IBM Support Website
 - Latest level of DSA
 - Latest level of BMC/IMM
-

166-815-001 IMM I2C Test Aborted

Explanation: Invalid data field in Request.

Severity: Warning

Serviceable: Yes

Recoverable: No

Automatically notify Support: No

User response: Perform the actions mentioned one at a time and try the test after each action:

1. Turn off the system and disconnect it from power. Wait for 45 seconds. Reconnect it to power.
2. Make sure that DSA and BMC/IMM are at the latest level.

Related Links:

- IBM Support Website
 - Latest level of DSA
 - Latest level of BMC/IMM
-

166-816-001 IMM I2C Test Aborted

Explanation: Command illegal for specified sensor or record type.

Severity: Warning

Serviceable: Yes

Recoverable: No

Automatically notify Support: No

User response: Perform the actions mentioned one at a time and try the test after each action:

1. Turn off the system and disconnect it from power. Wait for 45 seconds. Reconnect it to power.
2. Make sure that DSA and BMC/IMM are at the latest level.

Related Links:

- IBM Support Website
 - Latest level of DSA
 - Latest level of BMC/IMM
-

166-817-001 IMM I2C Test Aborted

Explanation: Command response could not be provided.

Severity: Warning

Serviceable: Yes

Recoverable: No

Automatically notify Support: No

User response: Perform the actions mentioned one at a time and try the test after each action:

1. Turn off the system and disconnect it from power. Wait for 45 seconds. Reconnect it to power.
2. Make sure that DSA and BMC/IMM are at the latest level.

Related Links:

- IBM Support Website

166-818-001 • 166-820-001

- Latest level of DSA
- Latest level of BMC/IMM

166-818-001 IMM I2C Test Aborted

Explanation: Cannot execute duplicated request.

Severity: Warning

Serviceable: Yes

Recoverable: No

Automatically notify Support: No

User response: Perform the actions mentioned one at a time and try the test after each action:

1. Turn off the system and disconnect it from power. Wait for 45 seconds. Reconnect it to power.
2. Make sure that DSA and BMC/IMM are at the latest level.

Related Links:

- IBM Support Website
- Latest level of DSA
- Latest level of BMC/IMM

166-819-001 IMM I2C Test Aborted

Explanation: Command response could not be provided. SDR Repository in?update mode.

Severity: Warning

Serviceable: Yes

Recoverable: No

Automatically notify Support: No

User response: Perform the actions mentioned one at a time and try the test after each action:

1. Turn off the system and disconnect it from power. Wait for 45 seconds. Reconnect it to power.
2. Make sure that DSA and BMC/IMM are at the latest level.

Related Links:

- IBM Support Website
- Latest level of DSA
- Latest level of BMC/IMM

166-820-001 IMM I2C Test Aborted

Explanation: Command response could not be provided. Device in firmware update mode.

Severity: Warning

Serviceable: Yes

Recoverable: No

Automatically notify Support: No

User response: Perform the actions mentioned one at a time and try the test after each action:

1. Turn off the system and disconnect it from power. Wait for 45 seconds. Reconnect it to power.
2. Make sure that DSA and BMC/IMM are at the latest level.

Related Links:

- IBM Support Website
- Latest level of DSA
- Latest level of BMC/IMM

166-821-001 IMM I2C Test Aborted

Explanation: Command response could not be provided. BMC initialization in progress.

Severity: Warning

Serviceable: Yes

Recoverable: No

Automatically notify Support: No

User response: Perform the actions mentioned one at a time and try the test after each action:

1. Turn off the system and disconnect it from power. Wait for 45 seconds. Reconnect it to power.
2. Make sure that DSA and BMC/IMM are at the latest level.

Related Links:

- IBM Support Website
 - Latest level of DSA
 - Latest level of BMC/IMM
-

166-822-001 IMM I2C Test Aborted

Explanation: Destination unavailable.

Severity: Warning

Serviceable: Yes

Recoverable: No

Automatically notify Support: No

User response: Perform the actions mentioned one at a time and try the test after each action:

1. Turn off the system and disconnect it from power. Wait for 45 seconds. Reconnect it to power.
2. Make sure that DSA and BMC/IMM are at the latest level.

Related Links:

- IBM Support Website
 - Latest level of DSA
 - Latest level of BMC/IMM
-

166-823-001 IMM I2C Test Aborted

Explanation: Cannot execute command. Insufficient privilege level.

Severity: Warning

Serviceable: Yes

Recoverable: No

Automatically notify Support: No

User response: Perform the actions mentioned one at a time and try the test after each action:

1. Turn off the system and disconnect it from power. Wait for 45 seconds. Reconnect it to power.
2. Make sure that DSA and BMC/IMM are at the latest level.

Related Links:

- IBM Support Website
 - Latest level of DSA
 - Latest level of BMC/IMM
-

166-824-001 IMM I2C Test Aborted

Explanation: Cannot execute command.

Severity: Warning

Serviceable: Yes

Recoverable: No

Automatically notify Support: No

User response: Perform the actions mentioned one at a time and try the test after each action:

1. Turn off the system and disconnect it from power. Wait for 45 seconds. Reconnect it to power.
2. Make sure that DSA and BMC/IMM are at the latest level.

Related Links:

- IBM Support Website
 - Latest level of DSA
 - Latest level of BMC/IMM
-

166-901-001 IMM I2C Test Failed

Explanation: IMM Indicates failure in RTMM bus (BUS 0).

Severity: Error

Serviceable: Yes

Recoverable: No

Automatically notify Support: No

User response: Perform the actions mentioned one at a time and try the test after each action:

1. Turn off the system and disconnect it from power. Wait for 45 seconds. Reconnect it to power.
2. Make sure that DSA and BMC/IMM are at the latest level.
3. Run the test again.
4. If failure remains, refer to "Troubleshooting by symptom" in the system "Installation and Service Guide" for the next corrective action.

Related Links:

- IBM Support Website
 - Latest level of DSA
 - Latest level of BMC/IMM
-

166-902-001 IMM I2C Test Failed

Explanation: IMM Indicates failure in TPM (BUS 1).

Severity: Error

Serviceable: Yes

Recoverable: No

Automatically notify Support: No

User response: Perform the actions mentioned one at a time and try the test after each action:

1. Turn off the system and disconnect it from power. Wait for 45 seconds. Reconnect it to power.
2. Make sure that DSA and BMC/IMM are at the latest level.
3. Run the test again.
4. If failure remains, refer to "Troubleshooting by symptom" in the system "Installation and Service Guide" for the next corrective action.

Related Links:

- IBM Support Website
 - Latest level of DSA
 - Latest level of BMC/IMM
-

166-903-001 IMM I2C Test Failed

Explanation: IMM Indicates failure in 9545A bus (BUS 2).

Severity: Error

Serviceable: Yes

Recoverable: No

Automatically notify Support: No

User response: Perform the actions mentioned one at a time and try the test after each action:

1. Turn off the system and disconnect it from power. Wait for 45 seconds. Reconnect it to power.
2. Make sure that DSA and BMC/IMM are at the latest level.
3. Run the test again.
4. If failure remains, refer to "Troubleshooting by symptom" in the system "Installation and Service Guide" for the next corrective action.

Related Links:

- IBM Support Website
 - Latest level of DSA
 - Latest level of BMC/IMM
-

166-905-001 IMM I2C Test Failed

Explanation: IMM Indicates failure in the 9545A bus (BUS 4).

Severity: Error

Serviceable: Yes

Recoverable: No

Automatically notify Support: No

User response: Perform the actions mentioned one at a time and try the test after each action:

1. Turn off the system and disconnect it from power. Wait for 45 seconds. Reconnect it to power.
2. Make sure that DSA and BMC/IMM are at the latest level.
3. Run the test again.
4. If failure remains, refer to "Troubleshooting by symptom" in the system "Installation and Service Guide" for the next corrective action.

Related Links:

- IBM Support Website
 - Latest level of DSA
 - Latest level of BMC/IMM
-

166-908-001 IMM I2C Test Failed

Explanation: IMM Indicates failure in the 9545A bus (BUS 7).

Severity: Error

Serviceable: Yes

Recoverable: No

Automatically notify Support: No

User response: Perform the actions mentioned one at a time and try the test after each action:

1. Turn off the system and disconnect it from power. Wait for 45 seconds. Reconnect it to power.
2. Make sure that DSA and BMC/IMM are at the latest level.
3. Run the test again.
4. If failure remains, refer to "Troubleshooting by symptom" in the system "Installation and Service Guide" for the next corrective action.

Related Links:

- IBM Support Website
- Latest level of DSA
- Latest level of BMC/IMM

DSA checkpoint panel test results

The following messages can result when you run the checkpoint panel test.

180-000-000 Check-point Panel Test Passed

Explanation: Check-point Panel Test Passed.

Severity: Event

Serviceable: No

Recoverable: No

Automatically notify Support: No

Related Links:

- IBM Support Website
- Latest level of DSA
- Latest level of BMC/IMM

180-801-000 Check-point Panel Test Aborted

Explanation: Check-point Panel Test Aborted. BMC is unable to verify that the operator information panel cable is connected.

Severity: Warning

Serviceable: Yes

Recoverable: No

Automatically notify Support: No

User response: Complete the following steps:

1. Inspect and reseal operator information panel cable at both ends.
2. Verify that the Baseboard Management Controller (BMC) is working.
3. Run the test again.
4. If failure remains, refer to "Troubleshooting by symptom" in the system "Installation and Service Guide" for the next corrective action.

Related Links:

- IBM Support Website
 - Latest level of DSA
 - Latest level of BMC/IMM
-

180-901-000 Check-point Panel Test Failed

Explanation: Check-point Panel Test Failed. Operator reported incorrect display.

Severity: Error

Serviceable: Yes

Recoverable: No

Automatically notify Support: No

User response: Complete the following steps:

1. Check the operator information panel cabling for loose or broken connections at both ends or damage to the cable.
2. Replace the information panel cable if damage is present.
3. Run the test again.
4. Replace the operator information panel assembly.
5. Run the test again.
6. If failure remains, refer to "Troubleshooting by symptom" in the system "Installation and Service Guide" for the next corrective action.

Related Links:

- IBM Support Website
- Latest level of DSA
- Latest level of BMC/IMM

DSA Broadcom network test results

The following messages can result when you run the Broadcom network test.

405-000-000 BRCM:TestControlRegisters Test Passed

Explanation: The test passed.

Severity: Event

Serviceable: No

Recoverable: No

Automatically notify Support: No

Related Links:

- IBM Support Website
- Latest level of DSA
- Latest level of BMC/IMM

405-001-000 BRCM:TestMIRegisters Test Passed

Explanation: The test passed.

Severity: Event

Serviceable: No

Recoverable: No

Automatically notify Support: No

Related Links:

- IBM Support Website
- Latest level of DSA
- Latest level of BMC/IMM

405-002-000 BRCM:TestEEPROM Test Passed

Explanation: The test passed.

Severity: Event

Serviceable: No

Recoverable: No

Automatically notify Support: No

Related Links:

- IBM Support Website
 - Latest level of DSA
 - Latest level of BMC/IMM
-

405-003-000 BRCM:TestInternalMemory Test Passed

Explanation: The test passed.

Severity: Event

Serviceable: No

Recoverable: No

Automatically notify Support: No

Related Links:

- IBM Support Website
 - Latest level of DSA
 - Latest level of BMC/IMM
-

405-004-000 BRCM:TestInterrupt Test Passed

Explanation: The test passed.

Severity: Event

Serviceable: No

Recoverable: No

Automatically notify Support: No

Related Links:

- IBM Support Website
 - Latest level of DSA
 - Latest level of BMC/IMM
-

405-005-000 BRCM:TestLoopbackMAC Test Passed

Explanation: The test passed.

Severity: Event

Serviceable: No

Recoverable: No

Automatically notify Support: No

Related Links:

- IBM Support Website
- Latest level of DSA
- Latest level of BMC/IMM

405-006-000 BRCM:TestLoopbackPhysical Test Passed

Explanation: The test passed.

Severity: Event

Serviceable: No

Recoverable: No

Automatically notify Support: No

Related Links:

- IBM Support Website
 - Latest level of DSA
 - Latest level of BMC/IMM
-

405-007-000 BRCM:TestLEDs Test Passed

Explanation: The test passed.

Severity: Event

Serviceable: No

Recoverable: No

Automatically notify Support: No

Related Links:

- IBM Support Website
 - Latest level of DSA
 - Latest level of BMC/IMM
-

405-800-000 BRCM:TestControlRegisters Test Aborted

Explanation: The control registers test was canceled.

Severity: Warning

Serviceable: No

Recoverable: No

Automatically notify Support: No

Related Links:

- IBM Support Website
 - Latest level of DSA
 - Latest level of BMC/IMM
-

405-801-000 BRCM:TestMIIRegisters Test Aborted

Explanation: The MII register test was canceled.

Severity: Warning

Serviceable: No

Recoverable: No

Automatically notify Support: No

Related Links:

- IBM Support Website
- Latest level of DSA
- Latest level of BMC/IMM

405-802-000 BRCM:TestEEPROM Test Aborted

Explanation: The EEPROM test was canceled.

Severity: Warning

Serviceable: No

Recoverable: No

Automatically notify Support: No

Related Links:

- IBM Support Website
 - Latest level of DSA
 - Latest level of BMC/IMM
-

405-803-000 BRCM:TestInternalMemory Test Aborted

Explanation: The internal memory test was canceled.

Severity: Warning

Serviceable: No

Recoverable: No

Automatically notify Support: No

Related Links:

- IBM Support Website
 - Latest level of DSA
 - Latest level of BMC/IMM
-

405-804-000 BRCM:TestInterrupt Test Aborted

Explanation: The interrupt test was canceled.

Severity: Warning

Serviceable: No

Recoverable: No

Automatically notify Support: No

Related Links:

- IBM Support Website
 - Latest level of DSA
 - Latest level of BMC/IMM
-

405-805-000 BRCM:TestLoopbackMAC Test Aborted

Explanation: Loopback testing at the MAC layer was canceled.

Severity: Warning

Serviceable: No

Recoverable: No

Automatically notify Support: No

Related Links:

- IBM Support Website
- Latest level of DSA
- Latest level of BMC/IMM

405-806-000 BRCM:TestLoopbackPhysical Test Aborted

Explanation: Loopback testing at the physical layer was canceled.

Severity: Warning

Serviceable: No

Recoverable: No

Automatically notify Support: No

Related Links:

- IBM Support Website
- Latest level of DSA
- Latest level of BMC/IMM

405-807-000 BRCM:TestLEDs Test Aborted

Explanation: Verification of status LEDs was canceled.

Severity: Warning

Serviceable: No

Recoverable: No

Automatically notify Support: No

Related Links:

- IBM Support Website
- Latest level of DSA
- Latest level of BMC/IMM

405-900-000 BRCM:TestControlRegisters Test Failed

Explanation: A failure was detected while testing internal MAC registers

Severity: Error

Serviceable: Yes

Recoverable: No

Automatically notify Support: No

User response: Complete the following steps:

1. Check component firmware level and upgrade if necessary. The installed firmware level can be found in the DSA Diagnostic Event Log within the Firmware/VPD section for this component.
2. Rerun the test.
3. If failure remains, refer to "Troubleshooting by symptom" in the system "Installation and Service Guide" for the next corrective action.

Related Links:

- IBM Support Website
- Latest level of DSA
- Latest level of BMC/IMM

405-901-000 BRCM:TestMIIRegisters Test Failed

Explanation: A failure was detected while testing internal PHY registers.

Severity: Error

Serviceable: Yes

405-902-000 • 405-903-000

Recoverable: No

Automatically notify Support: No

User response: Complete the following steps:

1. Check component firmware level and upgrade if necessary. The installed firmware level can be found in the DSA Diagnostic Event Log within the Firmware/VPD section for this component.
2. Rerun the test.
3. If failure remains, refer to "Troubleshooting by symptom" in the system "Installation and Service Guide" for the next corrective action.

Related Links:

- IBM Support Website
 - Latest level of DSA
 - Latest level of BMC/IMM
-

405-902-000 BRCM:TestEEPROM Test Failed

Explanation: A failure was detected while testing non-volatile RAM.

Severity: Error

Serviceable: Yes

Recoverable: No

Automatically notify Support: No

User response: Complete the following steps:

1. Check component firmware level and upgrade if necessary. The installed firmware level can be found in the DSA Diagnostic Event Log within the Firmware/VPD section for this component.
2. Rerun the test.
3. If failure remains, refer to "Troubleshooting by symptom" in the system "Installation and Service Guide" for the next corrective action.

Related Links:

- IBM Support Website
 - Latest level of DSA
 - Latest level of BMC/IMM
-

405-903-000 BRCM:TestInternalMemory Test Failed

Explanation: A failure was detected while testing internal memory.

Severity: Error

Serviceable: Yes

Recoverable: No

Automatically notify Support: No

User response: Complete the following steps:

1. Check component firmware level and upgrade if necessary. The installed firmware level can be found in the DSA Diagnostic Event Log within the Firmware/VPD section for this component.
2. Rerun the test.
3. If failure remains, refer to "Troubleshooting by symptom" in the system "Installation and Service Guide" for the next corrective action.

Related Links:

- IBM Support Website
- Latest level of DSA
- Latest level of BMC/IMM

405-904-000 BRCM:TestInterrupt Test Failed

Explanation: A failure was detected while testing interrupts.

Severity: Error

Serviceable: Yes

Recoverable: No

Automatically notify Support: No

User response: Complete the following steps:

1. Check component firmware level and upgrade if necessary. The installed firmware level can be found in the DSA Diagnostic Event Log within the Firmware/VPD section for this component.
2. Rerun the test.
3. If failure remains, refer to "Troubleshooting by symptom" in the system "Installation and Service Guide" for the next corrective action.

Related Links:

- IBM Support Website
 - Latest level of DSA
 - Latest level of BMC/IMM
-

405-905-000 BRCM:TestLoopbackMAC Test Failed

Explanation: BRCM:TestLoopbackMAC Test Failed.

Severity: Error

Serviceable: Yes

Recoverable: No

Automatically notify Support: No

User response: Complete the following steps:

1. Check component firmware level and upgrade if necessary. The installed firmware level can be found in the DSA Diagnostic Event Log within the Firmware/VPD section for this component.
2. Rerun the test.
3. If failure remains, refer to "Troubleshooting by symptom" in the system "Installation and Service Guide" for the next corrective action.

Related Links:

- IBM Support Website
 - Latest level of DSA
 - Latest level of BMC/IMM
-

405-906-000 BRCM:TestLoopbackPhysical Test Failed

Explanation: A failure was detected during the loopback test at the physical layer.

Severity: Error

Serviceable: Yes

Recoverable: No

Automatically notify Support: No

User response: Complete the following steps:

1. Check component firmware level and upgrade if necessary. The installed firmware level can be found in the DSA Diagnostic Event Log within the Firmware/VPD section for this component.
2. Rerun the test.

3. If failure remains, refer to "Troubleshooting by symptom" in the system "Installation and Service Guide" for the next corrective action.

Related Links:

- IBM Support Website
- Latest level of DSA
- Latest level of BMC/IMM

405-907-000 BRCM:TestLEDs Test Failed

Explanation: A failure was detected while verifying operation of the status LEDs.

Severity: Error

Serviceable: Yes

Recoverable: No

Automatically notify Support: No

User response: Complete the following steps:

1. Check component firmware level and upgrade if necessary. The installed firmware level can be found in the DSA Diagnostic Event Log within the Firmware/VPD section for this component.
2. Rerun the test.
3. If failure remains, refer to "Troubleshooting by symptom" in the system "Installation and Service Guide" for the next corrective action.

Related Links:

- IBM Support Website
- Latest level of DSA
- Latest level of BMC/IMM

DSA Brocade test results

The following messages can result when you run the Brocade test.

218-000-000 Brocade:MemoryTest Passed

Explanation: The test passed.

Severity: Event

Serviceable: No

Recoverable: No

Automatically notify Support: No

Related Links:

- IBM Support Website
- Latest level of DSA
- Latest level of BMC/IMM

218-001-000 Brocade:ExternalLoopbackTest Passed

Explanation: The test passed.

Severity: Event

Serviceable: No

Recoverable: No

Automatically notify Support: No

Related Links:

- IBM Support Website
 - Latest level of DSA
 - Latest level of BMC/IMM
-

218-002-000 Brocade:SerdesLoopbackTest Passed

Explanation: The test passed.

Severity: Event

Serviceable: No

Recoverable: No

Automatically notify Support: No

Related Links:

- IBM Support Website
 - Latest level of DSA
 - Latest level of BMC/IMM
-

218-003-000 Brocade:PCILoopbackTest Passed

Explanation: The test passed.

Severity: Event

Serviceable: No

Recoverable: No

Automatically notify Support: No

Related Links:

- IBM Support Website
 - Latest level of DSA
 - Latest level of BMC/IMM
-

218-004-000 Brocade:ExternalEthLoopbackTest Passed

Explanation: The test passed.

Severity: Event

Serviceable: No

Recoverable: No

Automatically notify Support: No

Related Links:

- IBM Support Website
 - Latest level of DSA
 - Latest level of BMC/IMM
-

218-005-000 Brocade:SerdesEthLoopbackTest Passed

Explanation: The test passed.

Severity: Event

Serviceable: No

Recoverable: No

Automatically notify Support: No

Related Links:

- IBM Support Website
 - Latest level of DSA
 - Latest level of BMC/IMM
-

218-006-000 Brocade:InternalLoopbackTest Passed

Explanation: The test passed.

Severity: Event

Serviceable: No

Recoverable: No

Automatically notify Support: No

Related Links:

- IBM Support Website
 - Latest level of DSA
 - Latest level of BMC/IMM
-

218-800-000 Brocade:MemoryTest Aborted

Explanation: The test was canceled.

Severity: Warning

Serviceable: No

Recoverable: No

Automatically notify Support: No

Related Links:

- IBM Support Website
 - Latest level of DSA
 - Latest level of BMC/IMM
-

218-801-000 Brocade:ExternalLoopbackTest Aborted

Explanation: The test was canceled.

Severity: Warning

Serviceable: No

Recoverable: No

Automatically notify Support: No

Related Links:

- IBM Support Website
 - Latest level of DSA
 - Latest level of BMC/IMM
-

218-802-000 Brocade:SerdesLoopbackTest Aborted

Explanation: The test was canceled.

Severity: Warning

Serviceable: No

Recoverable: No

Automatically notify Support: No

Related Links:

- IBM Support Website
 - Latest level of DSA
 - Latest level of BMC/IMM
-

218-803-000 Brocade:PCILoopbackTest Aborted

Explanation: The test was canceled.

Severity: Warning

Serviceable: No

Recoverable: No

Automatically notify Support: No

Related Links:

- IBM Support Website
 - Latest level of DSA
 - Latest level of BMC/IMM
-

218-804-000 Brocade:ExternalEthLoopbackTest Aborted

Explanation: The test was canceled.

Severity: Warning

Serviceable: No

Recoverable: No

Automatically notify Support: No

Related Links:

- IBM Support Website
 - Latest level of DSA
 - Latest level of BMC/IMM
-

218-805-000 Brocade:SerdesEthLoopbackTest Aborted

Explanation: The test was canceled.

Severity: Warning

Serviceable: No

Recoverable: No

Automatically notify Support: No

Related Links:

- IBM Support Website
 - Latest level of DSA
 - Latest level of BMC/IMM
-

218-806-000 Brocade:InternalLoopbackTest Aborted

Explanation: The test was canceled.

Severity: Warning

Serviceable: No

Recoverable: No

Automatically notify Support: No

Related Links:

- IBM Support Website
- Latest level of DSA
- Latest level of BMC/IMM

218-900-000 Brocade:MemoryTest Failed

Explanation: A failure was detected while testing the adapter memory.

Severity: Error

Serviceable: Yes

Recoverable: No

Automatically notify Support: No

User response: Complete the following steps:

1. Rerun the test.
2. Verify whether the firmware is at proper level.
3. Rerun the test.
4. If the problem remains, contact your IBM technical-support representative.

Related Links:

- IBM Support Website
- Latest level of DSA
- Latest level of BMC/IMM

218-901-000 Brocade:ExternalLoopbackTest Failed

Explanation: A failure was detected during the Loopback test.

Severity: Error

Serviceable: Yes

Recoverable: No

Automatically notify Support: No

User response: Complete the following steps:

1. Check cable connections.
2. Rerun the test.
3. Verify whether the firmware is at proper level.
4. Rerun the test.
5. If the problem remains, contact your IBM technical-support representative.

Related Links:

- IBM Support Website
- Latest level of DSA
- Latest level of BMC/IMM

218-902-000 Brocade:SerdesLoopbackTest Failed

Explanation: A failure was detected during the Loopback test.

Severity: Error

Serviceable: Yes

Recoverable: No

Automatically notify Support: No

User response: Complete the following steps:

1. Rerun the test.
2. Verify whether the firmware is at proper level.
3. Rerun the test.
4. If the problem remains, contact your IBM technical-support representative.

Related Links:

- IBM Support Website
 - Latest level of DSA
 - Latest level of BMC/IMM
-

218-903-000 Brocade:PCILoopbackTest Failed

Explanation: A failure was detected during the Loopback test.

Severity: Error

Serviceable: Yes

Recoverable: No

Automatically notify Support: No

User response: Complete the following steps:

1. Rerun the test.
2. Verify whether the firmware is at proper level.
3. Rerun the test.
4. If the problem remains, contact your IBM technical-support representative.

Related Links:

- IBM Support Website
 - Latest level of DSA
 - Latest level of BMC/IMM
-

218-904-000 Brocade:ExternalEthLoopbackTest Failed

Explanation: A failure was detected during the Loopback test.

Severity: Error

Serviceable: Yes

Recoverable: No

Automatically notify Support: No

User response: Complete the following steps:

1. Check or replace SFP/cable.
2. Rerun the test.
3. Verify whether the firmware is at proper level.
4. Rerun the test.
5. If the problem remains, contact your IBM technical-support representative.

Related Links:

- IBM Support Website
- Latest level of DSA
- Latest level of BMC/IMM

218-905-000 Brocade:SerdesEthLoopbackTest Failed

Explanation: A failure was detected during the Loopback test.

Severity: Error

Serviceable: Yes

Recoverable: No

Automatically notify Support: No

User response: Complete the following steps:

1. Rerun the test.
2. Verify whether the firmware is at proper level.
3. Rerun the test.
4. If the problem remains, contact your IBM technical-support representative.

Related Links:

- IBM Support Website
 - Latest level of DSA
 - Latest level of BMC/IMM
-

218-906-000 Brocade:InternalLoopbackTest Failed

Explanation: A failure was detected during the Loopback test.

Severity: Error

Serviceable: Yes

Recoverable: No

Automatically notify Support: No

User response: Complete the following steps:

1. Rerun the test.
2. Verify whether the firmware is at proper level.
3. Rerun the test.
4. If the problem remains, contact your IBM technical-support representative.

Related Links:

- IBM Support Website
- Latest level of DSA
- Latest level of BMC/IMM

DSA Emulex adapter test results

The following messages can result when you run the Emulex adapter test.

516-000-000 ELXUCNA: NIC MAC LoopBackTest Passed

Explanation: The test passed.

Severity: Event

Serviceable: No

Recoverable: No

Automatically notify Support: No

Related Links:

- IBM Support Website
- Latest level of DSA

- Latest level of BMC/IMM

516-001-000 ELXUCNA: NIC PHY LoopBackTest Passed

Explanation: The test passed.

Severity: Event

Serviceable: No

Recoverable: No

Automatically notify Support: No

Related Links:

- IBM Support Website
- Latest level of DSA
- Latest level of BMC/IMM

516-002-000 ELXUCNA: ELXUCNA: NIC LED(Beacon)Test Passed

Explanation: The test passed.

Severity: Event

Serviceable: No

Recoverable: No

Automatically notify Support: No

Related Links:

- IBM Support Website
- Latest level of DSA
- Latest level of BMC/IMM

516-800-000 ELXUCNA: NIC MAC LoopBackTest Aborted

Explanation: Loopback testing at the MAC layer was canceled.

Severity: Warning

Serviceable: No

Recoverable: No

Automatically notify Support: No

Related Links:

- IBM Support Website
- Latest level of DSA
- Latest level of BMC/IMM

516-801-000 ELXUCNA: NIC PHY LoopBackTest Aborted

Explanation: Loopback testing at the physical layer was canceled.

Severity: Warning

Serviceable: No

Recoverable: No

Automatically notify Support: No

Related Links:

- IBM Support Website

516-802-000 • 516-901-000

- Latest level of DSA
- Latest level of BMC/IMM

516-802-000 ELXUCNA: ELXUCNA: NIC LED(Beacon)Test Aborted

Explanation: Verification of status LEDs was canceled.

Severity: Warning

Serviceable: No

Recoverable: No

Automatically notify Support: No

Related Links:

- IBM Support Website
- Latest level of DSA
- Latest level of BMC/IMM

516-900-000 ELXUCNA: NIC MAC LoopBackTest Failed

Explanation: A failure was detected during the loopback test at the MAC layer.

Severity: Error

Serviceable: Yes

Recoverable: No

Automatically notify Support: No

User response: Complete the following steps:

1. Check component firmware level and upgrade if necessary. The installed firmware level can be found in the DSA Diagnostic Event Log within the Firmware/VPD section for this component.
2. Rerun the test.
3. If failure remains, refer to "Troubleshooting by symptom" in the system "Installation and Service Guide" for the next corrective action.

Related Links:

- IBM Support Website
- Latest level of DSA
- Latest level of BMC/IMM

516-901-000 ELXUCNA: NIC PHY LoopBackTest Failed

Explanation: A failure was detected during the loopback test at the physical layer.

Severity: Error

Serviceable: Yes

Recoverable: No

Automatically notify Support: No

User response: Complete the following steps:

1. Check component firmware level and upgrade if necessary. The installed firmware level can be found in the DSA Diagnostic Event Log within the Firmware/VPD section for this component.
2. Rerun the test.
3. If failure remains, refer to "Troubleshooting by symptom" in the system "Installation and Service Guide" for the next corrective action.

Related Links:

- IBM Support Website

- Latest level of DSA
- Latest level of BMC/IMM

516-902-000 ELXUCNA: ELXUCNA: NIC LED(Beacon)Test Failed

Explanation: A failure was detected while verifying operation of the status LEDs.

Severity: Error

Serviceable: Yes

Recoverable: No

Automatically notify Support: No

User response: Complete the following steps:

1. Check component firmware level and upgrade if necessary. The installed firmware level can be found in the DSA Diagnostic Event Log within the Firmware/VPD section for this component.
2. Rerun the test.
3. If failure remains, refer to "Troubleshooting by symptom" in the system "Installation and Service Guide" for the next corrective action.

Related Links:

- IBM Support Website
- Latest level of DSA
- Latest level of BMC/IMM

DSA Mellanox adapter test results

The following messages can result when you run the Mellanox adapter test.

408-000-000 MLNX:MLNX_DiagnosticTestEthernetPort Test Passed

Explanation: Port Test Passed.

Severity: Event

Serviceable: No

Recoverable: No

Automatically notify Support: No

Related Links:

- IBM Support Website
- Latest level of DSA
- Latest level of BMC/IMM

408-001-000 MLNX:MLNX_DiagnosticTestIBPort Test Passed

Explanation: Port Test Passed.

Severity: Event

Serviceable: No

Recoverable: No

Automatically notify Support: No

Related Links:

- IBM Support Website
- Latest level of DSA
- Latest level of BMC/IMM

408-800-000 MLNX:MLNX_DiagnosticTestEthernetPort Test Aborted

Explanation: Port Test was canceled.

Severity: Warning

Serviceable: No

Recoverable: No

Automatically notify Support: No

Related Links:

- IBM Support Website
 - Latest level of DSA
 - Latest level of BMC/IMM
-

408-801-000 MLNX:MLNX_DiagnosticTestIBPort Test Aborted

Explanation: Port Test was canceled.

Severity: Warning

Serviceable: No

Recoverable: No

Automatically notify Support: No

Related Links:

- IBM Support Website
 - Latest level of DSA
 - Latest level of BMC/IMM
-

408-900-000 MLNX:MLNX_DiagnosticTestEthernetPort Test Failed

Explanation: Port Test Failed.

Severity: Error

Serviceable: Yes

Recoverable: No

Automatically notify Support: No

User response: Complete the following steps:

1. Make sure that the physical link of the port under test is in the active state.
2. If these conditions were met but the test keeps failing, the port's adapter might be faulty.
3. Try replacing the adapter and repeating the test.

Related Links:

- IBM Support Website
 - Latest level of DSA
 - Latest level of BMC/IMM
-

408-901-000 MLNX:MLNX_DiagnosticTestIBPort Test Failed

Explanation: Port Test Failed.

Severity: Error

Serviceable: Yes

Recoverable: No

Automatically notify Support: No

User response: Complete the following steps:

1. Make sure that the physical link of the port under test is in the active state and a subnet manager is running on the fabric to which the port is attached.
2. If these conditions were met but the test keeps failing, the port's adapter might be faulty.
3. Try replacing the adapter and repeating the test.

Related Links:

- IBM Support Website
- Latest level of DSA
- Latest level of BMC/IMM

DSA EXA port ping test results

The following messages can result when you run the EXA port ping test.

401-000-000 EXA Port Ping Test Passed

Explanation: EXA Port Ping Test Passed.

Severity: Event

Serviceable: No

Recoverable: No

Automatically notify Support: No

Related Links:

- IBM Support Website
- Latest level of DSA
- Latest level of BMC/IMM

401-801-000 EXA Port Ping Test Aborted

Explanation: EXA Port Ping Test Aborted. Unable to get device base address.

Severity: Warning

Serviceable: Yes

Recoverable: No

Automatically notify Support: No

User response: Complete the following steps:

1. Remove power cables, wait for 45 seconds, reconnect and rerun the test.
2. Make sure that the scalability cable connections are as per specification.
3. Make sure that DSA and BIOS/uEFI are at the latest level.
4. If the problem remains, contact your technical-service representative.

Related Links:

- IBM Support Website
- Latest level of DSA
- Latest level of BMC/IMM

401-802-000 EXA Port Ping Test Aborted

Explanation: EXA Port Ping Test Aborted. Port connections may not be correct.

Severity: Warning

Serviceable: Yes

Recoverable: No

Automatically notify Support: No

User response: Complete the following steps:

1. Remove power cables, wait for 45 seconds, reconnect and rerun the test.
2. Make sure that the scalability cable connections are as per specification.
3. Make sure that DSA and BIOS/uEFI are at the latest level.
4. If the problem remains, contact your technical-service representative.

Related Links:

- IBM Support Website
 - Latest level of DSA
 - Latest level of BMC/IMM
-

401-901-001 EXA Port Ping Test Failed

Explanation: EXA Port Ping Test Failed.

Severity: Error

Serviceable: Yes

Recoverable: No

Automatically notify Support: No

User response: Complete the following steps:

1. Remove power cables, wait for 45 seconds, reconnect and rerun the test.
2. Make sure that the scalability cable connections are as per specification.
3. Check scalability cables for loose connections.
4. Replace the scalability cable(s) for specified port(s).
5. If the problem remains, contact your technical-service representative.

Related Links:

- IBM Support Website
- Latest level of DSA
- Latest level of BMC/IMM

DSA Intel network test results

The following messages can result when you run the Intel network test.

406-000-000 IANet:Registers Test Passed

Explanation: The test passed.

Severity: Event

Serviceable: No

Recoverable: No

Automatically notify Support: No

Related Links:

- IBM Support Website
 - Latest level of DSA
 - Latest level of BMC/IMM
-

406-001-000 IANet:EEPROM Test Passed

Explanation: The test passed.

Severity: Event

Serviceable: No

Recoverable: No

Automatically notify Support: No

Related Links:

- IBM Support Website
- Latest level of DSA
- Latest level of BMC/IMM

406-002-000 IANet:FIFO Test Passed

Explanation: The test passed.

Severity: Event

Serviceable: No

Recoverable: No

Automatically notify Support: No

Related Links:

- IBM Support Website
- Latest level of DSA
- Latest level of BMC/IMM

406-003-000 IANet:Interrupts Test Passed

Explanation: The test passed.

Severity: Event

Serviceable: No

Recoverable: No

Automatically notify Support: No

Related Links:

- IBM Support Website
- Latest level of DSA
- Latest level of BMC/IMM

406-004-000 IANet:Loopback Test Passed

Explanation: The test passed.

Severity: Event

Serviceable: No

Recoverable: No

Automatically notify Support: No

Related Links:

- IBM Support Website
- Latest level of DSA
- Latest level of BMC/IMM

406-800-000 IANet:Registers Test Aborted

Explanation: Registers test was canceled.

Severity: Warning

Serviceable: No

Recoverable: No

Automatically notify Support: No

Related Links:

- IBM Support Website
 - Latest level of DSA
 - Latest level of BMC/IMM
-

406-801-000 IANet:EEPROM Test Aborted

Explanation: EEPROM test was canceled.

Severity: Warning

Serviceable: No

Recoverable: No

Automatically notify Support: No

Related Links:

- IBM Support Website
 - Latest level of DSA
 - Latest level of BMC/IMM
-

406-802-000 IANet:FIFO Test Aborted

Explanation: FIFO test was canceled.

Severity: Warning

Serviceable: No

Recoverable: No

Automatically notify Support: No

Related Links:

- IBM Support Website
 - Latest level of DSA
 - Latest level of BMC/IMM
-

406-803-000 IANet:Interrupts Test Aborted

Explanation: Interrupt test was canceled.

Severity: Warning

Serviceable: No

Recoverable: No

Automatically notify Support: No

Related Links:

- IBM Support Website
- Latest level of DSA
- Latest level of BMC/IMM

406-804-000 IANet:Loopback Test Aborted

Explanation: Loopback test was canceled.

Severity: Warning

Serviceable: No

Recoverable: No

Automatically notify Support: No

Related Links:

- IBM Support Website
- Latest level of DSA
- Latest level of BMC/IMM

406-900-000 IANet:Registers Test Failed

Explanation: A failure was detected during the Registers test.

Severity: Error

Serviceable: Yes

Recoverable: No

Automatically notify Support: No

User response: Complete the following steps:

1. Check component firmware level and upgrade if necessary. The installed firmware level can be found in the DSA Diagnostic Event Log within the Firmware/VPD section for this component.
2. Rerun the test.
3. If failure remains, refer to "Troubleshooting by symptom" in the system "Installation and Service Guide" for the next corrective action.

Related Links:

- IBM Support Website
- Latest level of DSA
- Latest level of BMC/IMM

406-901-000 IANet:EEPROM Test Failed

Explanation: A failure was detected during the EEPROM test.

Severity: Error

Serviceable: Yes

Recoverable: No

Automatically notify Support: No

User response: Complete the following steps:

1. Check component firmware level and upgrade if necessary. The installed firmware level can be found in the DSA Diagnostic Event Log within the Firmware/VPD section for this component.
2. Rerun the test.
3. If failure remains, refer to "Troubleshooting by symptom" in the system "Installation and Service Guide" for the next corrective action.

Related Links:

- IBM Support Website
- Latest level of DSA
- Latest level of BMC/IMM

406-902-000 IANet:FIFO Test Failed

Explanation: A failure was detected during the FIFO test.

Severity: Error

Serviceable: Yes

Recoverable: No

Automatically notify Support: No

User response: Complete the following steps:

1. Check component firmware level and upgrade if necessary. The installed firmware level can be found in the DSA Diagnostic Event Log within the Firmware/VPD section for this component.
2. Rerun the test.
3. If failure remains, refer to "Troubleshooting by symptom" in the system "Installation and Service Guide" for the next corrective action.

Related Links:

- IBM Support Website
 - Latest level of DSA
 - Latest level of BMC/IMM
-

406-903-000 IANet:Interrupts Test Failed

Explanation: A failure was detected during the Interrupt test.

Severity: Error

Serviceable: Yes

Recoverable: No

Automatically notify Support: No

User response: Complete the following steps:

1. Check component firmware level and upgrade if necessary. The installed firmware level can be found in the DSA Diagnostic Event Log within the Firmware/VPD section for this component.
2. Rerun the test.
3. Check interrupt assignments in the PCI Hardware section of the DSA Diagnostic Log. If the ethernet device is sharing interrupts, if possible modify the interrupt assignments using F1 Setup to assign a unique interrupt to the device.
4. Rerun the test.
5. If failure remains, refer to "Troubleshooting by symptom" in the system "Installation and Service Guide" for the next corrective action.

Related Links:

- IBM Support Website
 - Latest level of DSA
 - Latest level of BMC/IMM
-

406-904-000 IANet:Loopback Test Failed

Explanation: A failure was detected during the Loopback test.

Severity: Error

Serviceable: Yes

Recoverable: No

Automatically notify Support: No

User response: Complete the following steps:

1. Check the Ethernet cable for damage and ensure correct cable type and attachment.
2. Check component firmware level and upgrade if necessary. The installed firmware level can be found in the DSA Diagnostic Event Log within the Firmware/VPD section for this component.
3. Rerun the test.
4. If failure remains, refer to "Troubleshooting by symptom" in the system "Installation and Service Guide" for the next corrective action.

Related Links:

- IBM Support Website
- Latest level of DSA
- Latest level of BMC/IMM

Event messages

Use this information to review event messages and resolve many errors.

Note: IMM and UEFI events related to communications errors can take up to 20 minutes to be displayed in the CMM event log.

IMM messages

When a hardware event is detected by the IMM2 on an Flex System x280 X6, x480 X6, and x880 X6 Compute Node Types 7903 and 4259, the IMM2 logs that event in the system-event log in the compute node. In addition, the IMM2 sends that event to the CMM and to the Flex System Manager management software.

For each event code, the following fields are displayed:

Event identifier

A hexadecimal identifier that uniquely identifies an event or class of events. In this documentation, the event identifiers are prefixed with 0x and followed by eight characters.

Event description

The logged message string that appears for an event. When the event string is displayed in the system-event log, information such as a specific component is displayed. In this documentation, that additional information appears as variables, such as [arg1] or [arg2].

Explanation

Additional information to explain why the event occurred.

Severity

An indication of the level of concern for the condition. In the system-event log, the severity is abbreviated to the first character. The following severities can be displayed:

- **Info:** The event was recorded for audit purposes. This is usually a user action or a change of states that is normal behavior.
- **Warning:** The event is not as severe as an error, but if possible, the condition should be corrected before it becomes an error. It might also be a condition that requires additional monitoring or maintenance.
- **Error:** The event is a failure or critical condition that impairs service or an expected function.

Alert Category

Similar events are grouped in categories. The alert category is in the following format:

severity - device component

severity is one of the following severity levels:

- **Critical:** A key component in the server is no longer functioning.
- **Warning:** The event might progress to a critical level.
- **System:** The event is the result of a system error or a configuration change.

device component is the specific device in the compute node that caused the event to be generated.

Serviceable

Whether user action is required to correct the problem.

CIM Information

The prefix of the message ID and the sequence number that is used by the CIM message registry.

SNMP Trap ID

The SNMP trap ID that is found in the SNMP alert management information base (MIB).

Automatically notify Support

If this field is set to **Yes** and you have enabled Electronic Service Agent (ESA) on Flex System Manager management software (if installed), Support will be notified automatically if the event is generated.

If Flex System Manager management software is not installed, you can enable Support from the CMM web interface.

While you wait for Support to call, you can perform the recommended actions for the event.

User response

The actions that you should perform to solve the event.

Perform the steps listed in this section in the order shown until the problem is solved. After you perform all of the actions that are described in this field, if you cannot solve the problem, contact Support.

Note: This list includes error codes and messages that might not apply to this machine type and model.

IMM Events that automatically notify Support

You can configure the IBM Flex System Manager or the CMM to automatically notify Support (also known as *call home*) if certain types of errors are encountered. If you have configured this function, see the table for a list of events that automatically notify Support.

Note: The name of the function for automatically notifying differs slightly between the IBM Flex System Manager management node and the CMM:

- From the IBM Flex System Manager, this function is called Electronic Service Agent.
- From the CMM, this function is called Enable IBM Support.

Table 6. Events that automatically notify Support

Event ID	Message String	Automatically Notify Support
40000086-00000000	Test Call Home Generated by user [arg1].	Yes
40000087-00000000	Manual Call Home by user [arg1]: [arg2].	Yes
80010202-0701ffff	Numeric sensor [NumericSensorElementName] going low (lower critical) has asserted.	Yes
80010202-2801ffff	Numeric sensor [NumericSensorElementName] going low (lower critical) has asserted.	Yes
80010902-0701ffff	Numeric sensor [NumericSensorElementName] going high (upper critical) has asserted.	Yes
8007021b-0301ffff	Sensor [SensorElementName] has transitioned to critical from a less severe state.	Yes
806f0021-1201ffff	Fault in slot [PhysicalConnectorSystemElementName] on system [ComputerSystemElementName].	Yes
806f0021-2201ffff	Fault in slot [PhysicalConnectorSystemElementName] on system [ComputerSystemElementName].	Yes
806f0021-25820901	Fault in slot [PhysicalConnectorSystemElementName] on system [ComputerSystemElementName].	Yes
806f0021-25820902	Fault in slot [PhysicalConnectorSystemElementName] on system [ComputerSystemElementName].	Yes
806f0021-25820903	Fault in slot [PhysicalConnectorSystemElementName] on system [ComputerSystemElementName].	Yes
806f0021-2582ffff	Fault in slot [PhysicalConnectorSystemElementName] on system [ComputerSystemElementName].	Yes
806f010c-200101ff	Uncorrectable error detected for [PhysicalMemoryElementName] on Subsystem [MemoryElementName].	Yes
806f010c-2001ffff	Uncorrectable error detected for [PhysicalMemoryElementName] on Subsystem [MemoryElementName].	Yes
806f010c-2002ffff	Uncorrectable error detected for [PhysicalMemoryElementName] on Subsystem [MemoryElementName].	Yes
806f010c-2003ffff	Uncorrectable error detected for [PhysicalMemoryElementName] on Subsystem [MemoryElementName].	Yes
806f010c-200401ff	Uncorrectable error detected for [PhysicalMemoryElementName] on Subsystem [MemoryElementName].	Yes

Table 6. Events that automatically notify Support (continued)

Event ID	Message String	Automatically Notify Support
806f010c-2004ffff	Uncorrectable error detected for [PhysicalMemoryElementName] on Subsystem [MemoryElementName].	Yes
806f010c-2005ffff	Uncorrectable error detected for [PhysicalMemoryElementName] on Subsystem [MemoryElementName].	Yes
806f010c-2006ffff	Uncorrectable error detected for [PhysicalMemoryElementName] on Subsystem [MemoryElementName].	Yes
806f010c-200701ff	Uncorrectable error detected for [PhysicalMemoryElementName] on Subsystem [MemoryElementName].	Yes
806f010c-2007ffff	Uncorrectable error detected for [PhysicalMemoryElementName] on Subsystem [MemoryElementName].	Yes
806f010c-200801ff	Uncorrectable error detected for [PhysicalMemoryElementName] on Subsystem [MemoryElementName].	Yes
806f010c-2008ffff	Uncorrectable error detected for [PhysicalMemoryElementName] on Subsystem [MemoryElementName].	Yes
806f010c-200901ff	Uncorrectable error detected for [PhysicalMemoryElementName] on Subsystem [MemoryElementName].	Yes
806f010c-2009ffff	Uncorrectable error detected for [PhysicalMemoryElementName] on Subsystem [MemoryElementName].	Yes
806f010c-200a01ff	Uncorrectable error detected for [PhysicalMemoryElementName] on Subsystem [MemoryElementName].	Yes
806f010c-200affff	Uncorrectable error detected for [PhysicalMemoryElementName] on Subsystem [MemoryElementName].	Yes
806f010c-200b01ff	Uncorrectable error detected for [PhysicalMemoryElementName] on Subsystem [MemoryElementName].	Yes
806f010c-200bffff	Uncorrectable error detected for [PhysicalMemoryElementName] on Subsystem [MemoryElementName].	Yes
806f010c-200c01ff	Uncorrectable error detected for [PhysicalMemoryElementName] on Subsystem [MemoryElementName].	Yes
806f010c-200cffff	Uncorrectable error detected for [PhysicalMemoryElementName] on Subsystem [MemoryElementName].	Yes
806f010c-200d02ff	Uncorrectable error detected for [PhysicalMemoryElementName] on Subsystem [MemoryElementName].	Yes

Table 6. Events that automatically notify Support (continued)

Event ID	Message String	Automatically Notify Support
806f010c-200dffff	Uncorrectable error detected for [PhysicalMemoryElementName] on Subsystem [MemoryElementName].	Yes
806f010c-200effff	Uncorrectable error detected for [PhysicalMemoryElementName] on Subsystem [MemoryElementName].	Yes
806f010c-200f02ff	Uncorrectable error detected for [PhysicalMemoryElementName] on Subsystem [MemoryElementName].	Yes
806f010c-200fffff	Uncorrectable error detected for [PhysicalMemoryElementName] on Subsystem [MemoryElementName].	Yes
806f010c-201002ff	Uncorrectable error detected for [PhysicalMemoryElementName] on Subsystem [MemoryElementName].	Yes
806f010c-2010ffff	Uncorrectable error detected for [PhysicalMemoryElementName] on Subsystem [MemoryElementName].	Yes
806f010c-2011ffff	Uncorrectable error detected for [PhysicalMemoryElementName] on Subsystem [MemoryElementName].	Yes
806f010c-201202ff	Uncorrectable error detected for [PhysicalMemoryElementName] on Subsystem [MemoryElementName].	Yes
806f010c-2012ffff	Uncorrectable error detected for [PhysicalMemoryElementName] on Subsystem [MemoryElementName].	Yes
806f010c-201302ff	Uncorrectable error detected for [PhysicalMemoryElementName] on Subsystem [MemoryElementName].	Yes
806f010c-2013ffff	Uncorrectable error detected for [PhysicalMemoryElementName] on Subsystem [MemoryElementName].	Yes
806f010c-2014ffff	Uncorrectable error detected for [PhysicalMemoryElementName] on Subsystem [MemoryElementName].	Yes
806f010c-201502ff	Uncorrectable error detected for [PhysicalMemoryElementName] on Subsystem [MemoryElementName].	Yes
806f010c-2015ffff	Uncorrectable error detected for [PhysicalMemoryElementName] on Subsystem [MemoryElementName].	Yes
806f010c-201602ff	Uncorrectable error detected for [PhysicalMemoryElementName] on Subsystem [MemoryElementName].	Yes
806f010c-2016ffff	Uncorrectable error detected for [PhysicalMemoryElementName] on Subsystem [MemoryElementName].	Yes

Table 6. Events that automatically notify Support (continued)

Event ID	Message String	Automatically Notify Support
806f010c-2017ffff	Uncorrectable error detected for [PhysicalMemoryElementName] on Subsystem [MemoryElementName].	Yes
806f010c-201802ff	Uncorrectable error detected for [PhysicalMemoryElementName] on Subsystem [MemoryElementName].	Yes
806f010c-2018ffff	Uncorrectable error detected for [PhysicalMemoryElementName] on Subsystem [MemoryElementName].	Yes
806f010c-201901ff	Uncorrectable error detected for [PhysicalMemoryElementName] on Subsystem [MemoryElementName].	Yes
806f010c-2019ffff	Uncorrectable error detected for [PhysicalMemoryElementName] on Subsystem [MemoryElementName].	Yes
806f010c-201a01ff	Uncorrectable error detected for [PhysicalMemoryElementName] on Subsystem [MemoryElementName].	Yes
806f010c-201affff	Uncorrectable error detected for [PhysicalMemoryElementName] on Subsystem [MemoryElementName].	Yes
806f010c-201b01ff	Uncorrectable error detected for [PhysicalMemoryElementName] on Subsystem [MemoryElementName].	Yes
806f010c-201bffff	Uncorrectable error detected for [PhysicalMemoryElementName] on Subsystem [MemoryElementName].	Yes
806f010c-201c01ff	Uncorrectable error detected for [PhysicalMemoryElementName] on Subsystem [MemoryElementName].	Yes
806f010c-201cffff	Uncorrectable error detected for [PhysicalMemoryElementName] on Subsystem [MemoryElementName].	Yes
806f010c-201d01ff	Uncorrectable error detected for [PhysicalMemoryElementName] on Subsystem [MemoryElementName].	Yes
806f010c-201dffff	Uncorrectable error detected for [PhysicalMemoryElementName] on Subsystem [MemoryElementName].	Yes
806f010c-201e01ff	Uncorrectable error detected for [PhysicalMemoryElementName] on Subsystem [MemoryElementName].	Yes
806f010c-201effff	Uncorrectable error detected for [PhysicalMemoryElementName] on Subsystem [MemoryElementName].	Yes
806f010c-201f01ff	Uncorrectable error detected for [PhysicalMemoryElementName] on Subsystem [MemoryElementName].	Yes

Table 6. Events that automatically notify Support (continued)

Event ID	Message String	Automatically Notify Support
806f010c-201ffff	Uncorrectable error detected for [PhysicalMemoryElementName] on Subsystem [MemoryElementName].	Yes
806f010c-202001ff	Uncorrectable error detected for [PhysicalMemoryElementName] on Subsystem [MemoryElementName].	Yes
806f010c-2020ffff	Uncorrectable error detected for [PhysicalMemoryElementName] on Subsystem [MemoryElementName].	Yes
806f010c-202101ff	Uncorrectable error detected for [PhysicalMemoryElementName] on Subsystem [MemoryElementName].	Yes
806f010c-2021ffff	Uncorrectable error detected for [PhysicalMemoryElementName] on Subsystem [MemoryElementName].	Yes
806f010c-2022ffff	Uncorrectable error detected for [PhysicalMemoryElementName] on Subsystem [MemoryElementName].	Yes
806f010c-202301ff	Uncorrectable error detected for [PhysicalMemoryElementName] on Subsystem [MemoryElementName].	Yes
806f010c-2023ffff	Uncorrectable error detected for [PhysicalMemoryElementName] on Subsystem [MemoryElementName].	Yes
806f010c-2024ffff	Uncorrectable error detected for [PhysicalMemoryElementName] on Subsystem [MemoryElementName].	Yes
806f010c-202502ff	Uncorrectable error detected for [PhysicalMemoryElementName] on Subsystem [MemoryElementName].	Yes
806f010c-2025ffff	Uncorrectable error detected for [PhysicalMemoryElementName] on Subsystem [MemoryElementName].	Yes
806f010c-202602ff	Uncorrectable error detected for [PhysicalMemoryElementName] on Subsystem [MemoryElementName].	Yes
806f010c-2026ffff	Uncorrectable error detected for [PhysicalMemoryElementName] on Subsystem [MemoryElementName].	Yes
806f010c-202702ff	Uncorrectable error detected for [PhysicalMemoryElementName] on Subsystem [MemoryElementName].	Yes
806f010c-2027ffff	Uncorrectable error detected for [PhysicalMemoryElementName] on Subsystem [MemoryElementName].	Yes
806f010c-202802ff	Uncorrectable error detected for [PhysicalMemoryElementName] on Subsystem [MemoryElementName].	Yes

Table 6. Events that automatically notify Support (continued)

Event ID	Message String	Automatically Notify Support
806f010c-2028ffff	Uncorrectable error detected for [PhysicalMemoryElementName] on Subsystem [MemoryElementName].	Yes
806f010c-202902ff	Uncorrectable error detected for [PhysicalMemoryElementName] on Subsystem [MemoryElementName].	Yes
806f010c-2029ffff	Uncorrectable error detected for [PhysicalMemoryElementName] on Subsystem [MemoryElementName].	Yes
806f010c-202a02ff	Uncorrectable error detected for [PhysicalMemoryElementName] on Subsystem [MemoryElementName].	Yes
806f010c-202affff	Uncorrectable error detected for [PhysicalMemoryElementName] on Subsystem [MemoryElementName].	Yes
806f010c-202b02ff	Uncorrectable error detected for [PhysicalMemoryElementName] on Subsystem [MemoryElementName].	Yes
806f010c-202bffff	Uncorrectable error detected for [PhysicalMemoryElementName] on Subsystem [MemoryElementName].	Yes
806f010c-202c02ff	Uncorrectable error detected for [PhysicalMemoryElementName] on Subsystem [MemoryElementName].	Yes
806f010c-202cffff	Uncorrectable error detected for [PhysicalMemoryElementName] on Subsystem [MemoryElementName].	Yes
806f010c-202d02ff	Uncorrectable error detected for [PhysicalMemoryElementName] on Subsystem [MemoryElementName].	Yes
806f010c-202dffff	Uncorrectable error detected for [PhysicalMemoryElementName] on Subsystem [MemoryElementName].	Yes
806f010c-202e02ff	Uncorrectable error detected for [PhysicalMemoryElementName] on Subsystem [MemoryElementName].	Yes
806f010c-202effff	Uncorrectable error detected for [PhysicalMemoryElementName] on Subsystem [MemoryElementName].	Yes
806f010c-202f02ff	Uncorrectable error detected for [PhysicalMemoryElementName] on Subsystem [MemoryElementName].	Yes
806f010c-202fffff	Uncorrectable error detected for [PhysicalMemoryElementName] on Subsystem [MemoryElementName].	Yes
806f010c-203002ff	Uncorrectable error detected for [PhysicalMemoryElementName] on Subsystem [MemoryElementName].	Yes

Table 6. Events that automatically notify Support (continued)

Event ID	Message String	Automatically Notify Support
806f010c-2030ffff	Uncorrectable error detected for [PhysicalMemoryElementName] on Subsystem [MemoryElementName].	Yes
806f010c-2581ffff	Uncorrectable error detected for [PhysicalMemoryElementName] on Subsystem [MemoryElementName].	Yes
806f010d-0400ffff	The [StorageVolumeElementName] has been disabled due to a detected fault.	Yes
806f010d-0401ffff	The [StorageVolumeElementName] has been disabled due to a detected fault.	Yes
806f010d-0402ffff	The [StorageVolumeElementName] has been disabled due to a detected fault.	Yes
806f010d-0403ffff	The [StorageVolumeElementName] has been disabled due to a detected fault.	Yes
806f010d-0404ffff	The [StorageVolumeElementName] has been disabled due to a detected fault.	Yes
806f010d-0405ffff	The [StorageVolumeElementName] has been disabled due to a detected fault.	Yes
806f010d-0406ffff	The [StorageVolumeElementName] has been disabled due to a detected fault.	Yes
806f010d-0407ffff	The [StorageVolumeElementName] has been disabled due to a detected fault.	Yes
806f010d-2b81ffff	The [StorageVolumeElementName] has been disabled due to a detected fault.	Yes
806f011b-0c01ffff	The connector [PhysicalConnectorElementName] has encountered a configuration error.	Yes
806f011b-1f03ffff	The connector [PhysicalConnectorElementName] has encountered a configuration error.	Yes
806f011b-1f04ffff	The connector [PhysicalConnectorElementName] has encountered a configuration error.	Yes
806f0207-0301ffff	[ProcessorElementName] has Failed with FRB1/BIST condition.	Yes
806f0207-0302ffff	[ProcessorElementName] has Failed with FRB1/BIST condition.	Yes
806f0207-2584ffff	[ProcessorElementName] has Failed with FRB1/BIST condition.	Yes
806f020d-0400ffff	Failure Predicted on [StorageVolumeElementName] for array [ComputerSystemElementName].	Yes
806f020d-0401ffff	Failure Predicted on [StorageVolumeElementName] for array [ComputerSystemElementName].	Yes

Table 6. Events that automatically notify Support (continued)

Event ID	Message String	Automatically Notify Support
806f020d-0402ffff	Failure Predicted on [StorageVolumeElementName] for array [ComputerSystemElementName].	Yes
806f020d-0403ffff	Failure Predicted on [StorageVolumeElementName] for array [ComputerSystemElementName].	Yes
806f020d-0404ffff	Failure Predicted on [StorageVolumeElementName] for array [ComputerSystemElementName].	Yes
806f020d-0405ffff	Failure Predicted on [StorageVolumeElementName] for array [ComputerSystemElementName].	Yes
806f020d-0406ffff	Failure Predicted on [StorageVolumeElementName] for array [ComputerSystemElementName].	Yes
806f020d-0407ffff	Failure Predicted on [StorageVolumeElementName] for array [ComputerSystemElementName].	Yes
806f020d-2b81ffff	Failure Predicted on [StorageVolumeElementName] for array [ComputerSystemElementName].	Yes
806f030c-201802ff	Scrub Failure for [PhysicalMemoryElementName] on Subsystem [MemoryElementName].	Yes
806f030c-2018ffff	Scrub Failure for [PhysicalMemoryElementName] on Subsystem [MemoryElementName].	Yes
806f050c-200101ff	Memory Logging Limit Reached for [PhysicalMemoryElementName] on Subsystem [MemoryElementName].	Yes
806f050c-2001ffff	Memory Logging Limit Reached for [PhysicalMemoryElementName] on Subsystem [MemoryElementName].	Yes
806f050c-2002ffff	Memory Logging Limit Reached for [PhysicalMemoryElementName] on Subsystem [MemoryElementName].	Yes
806f050c-2003ffff	Memory Logging Limit Reached for [PhysicalMemoryElementName] on Subsystem [MemoryElementName].	Yes
806f050c-200401ff	Memory Logging Limit Reached for [PhysicalMemoryElementName] on Subsystem [MemoryElementName].	Yes
806f050c-2004ffff	Memory Logging Limit Reached for [PhysicalMemoryElementName] on Subsystem [MemoryElementName].	Yes
806f050c-2005ffff	Memory Logging Limit Reached for [PhysicalMemoryElementName] on Subsystem [MemoryElementName].	Yes

Table 6. Events that automatically notify Support (continued)

Event ID	Message String	Automatically Notify Support
806f050c-2006ffff	Memory Logging Limit Reached for [PhysicalMemoryElementName] on Subsystem [MemoryElementName].	Yes
806f050c-2007ffff	Memory Logging Limit Reached for [PhysicalMemoryElementName] on Subsystem [MemoryElementName].	Yes
806f050c-2008ffff	Memory Logging Limit Reached for [PhysicalMemoryElementName] on Subsystem [MemoryElementName].	Yes
806f050c-2009ffff	Memory Logging Limit Reached for [PhysicalMemoryElementName] on Subsystem [MemoryElementName].	Yes
806f050c-200affff	Memory Logging Limit Reached for [PhysicalMemoryElementName] on Subsystem [MemoryElementName].	Yes
806f050c-200bffff	Memory Logging Limit Reached for [PhysicalMemoryElementName] on Subsystem [MemoryElementName].	Yes
806f050c-200cffff	Memory Logging Limit Reached for [PhysicalMemoryElementName] on Subsystem [MemoryElementName].	Yes
806f050c-200dffff	Memory Logging Limit Reached for [PhysicalMemoryElementName] on Subsystem [MemoryElementName].	Yes
806f050c-200e02ff	Memory Logging Limit Reached for [PhysicalMemoryElementName] on Subsystem [MemoryElementName].	Yes
806f050c-200effff	Memory Logging Limit Reached for [PhysicalMemoryElementName] on Subsystem [MemoryElementName].	Yes
806f050c-200f02ff	Memory Logging Limit Reached for [PhysicalMemoryElementName] on Subsystem [MemoryElementName].	Yes
806f050c-200fffff	Memory Logging Limit Reached for [PhysicalMemoryElementName] on Subsystem [MemoryElementName].	Yes
806f050c-2010ffff	Memory Logging Limit Reached for [PhysicalMemoryElementName] on Subsystem [MemoryElementName].	Yes
806f050c-201102ff	Memory Logging Limit Reached for [PhysicalMemoryElementName] on Subsystem [MemoryElementName].	Yes
806f050c-2011ffff	Memory Logging Limit Reached for [PhysicalMemoryElementName] on Subsystem [MemoryElementName].	Yes
806f050c-201202ff	Memory Logging Limit Reached for [PhysicalMemoryElementName] on Subsystem [MemoryElementName].	Yes

Table 6. Events that automatically notify Support (continued)

Event ID	Message String	Automatically Notify Support
806f050c-2012ffff	Memory Logging Limit Reached for [PhysicalMemoryElementName] on Subsystem [MemoryElementName].	Yes
806f050c-2013ffff	Memory Logging Limit Reached for [PhysicalMemoryElementName] on Subsystem [MemoryElementName].	Yes
806f050c-2014ffff	Memory Logging Limit Reached for [PhysicalMemoryElementName] on Subsystem [MemoryElementName].	Yes
806f050c-201502ff	Memory Logging Limit Reached for [PhysicalMemoryElementName] on Subsystem [MemoryElementName].	Yes
806f050c-2015ffff	Memory Logging Limit Reached for [PhysicalMemoryElementName] on Subsystem [MemoryElementName].	Yes
806f050c-2016ffff	Memory Logging Limit Reached for [PhysicalMemoryElementName] on Subsystem [MemoryElementName].	Yes
806f050c-2017ffff	Memory Logging Limit Reached for [PhysicalMemoryElementName] on Subsystem [MemoryElementName].	Yes
806f050c-2018ffff	Memory Logging Limit Reached for [PhysicalMemoryElementName] on Subsystem [MemoryElementName].	Yes
806f050c-201901ff	Memory Logging Limit Reached for [PhysicalMemoryElementName] on Subsystem [MemoryElementName].	Yes
806f050c-2019ffff	Memory Logging Limit Reached for [PhysicalMemoryElementName] on Subsystem [MemoryElementName].	Yes
806f050c-201a01ff	Memory Logging Limit Reached for [PhysicalMemoryElementName] on Subsystem [MemoryElementName].	Yes
806f050c-201affff	Memory Logging Limit Reached for [PhysicalMemoryElementName] on Subsystem [MemoryElementName].	Yes
806f050c-201bffff	Memory Logging Limit Reached for [PhysicalMemoryElementName] on Subsystem [MemoryElementName].	Yes
806f050c-201c01ff	Memory Logging Limit Reached for [PhysicalMemoryElementName] on Subsystem [MemoryElementName].	Yes
806f050c-201cffff	Memory Logging Limit Reached for [PhysicalMemoryElementName] on Subsystem [MemoryElementName].	Yes
806f050c-201d01ff	Memory Logging Limit Reached for [PhysicalMemoryElementName] on Subsystem [MemoryElementName].	Yes

Table 6. Events that automatically notify Support (continued)

Event ID	Message String	Automatically Notify Support
806f050c-201dffff	Memory Logging Limit Reached for [PhysicalMemoryElementName] on Subsystem [MemoryElementName].	Yes
806f050c-201e01ff	Memory Logging Limit Reached for [PhysicalMemoryElementName] on Subsystem [MemoryElementName].	Yes
806f050c-201effff	Memory Logging Limit Reached for [PhysicalMemoryElementName] on Subsystem [MemoryElementName].	Yes
806f050c-201fffff	Memory Logging Limit Reached for [PhysicalMemoryElementName] on Subsystem [MemoryElementName].	Yes
806f050c-202001ff	Memory Logging Limit Reached for [PhysicalMemoryElementName] on Subsystem [MemoryElementName].	Yes
806f050c-2020ffff	Memory Logging Limit Reached for [PhysicalMemoryElementName] on Subsystem [MemoryElementName].	Yes
806f050c-202101ff	Memory Logging Limit Reached for [PhysicalMemoryElementName] on Subsystem [MemoryElementName].	Yes
806f050c-2021ffff	Memory Logging Limit Reached for [PhysicalMemoryElementName] on Subsystem [MemoryElementName].	Yes
806f050c-2022ffff	Memory Logging Limit Reached for [PhysicalMemoryElementName] on Subsystem [MemoryElementName].	Yes
806f050c-202301ff	Memory Logging Limit Reached for [PhysicalMemoryElementName] on Subsystem [MemoryElementName].	Yes
806f050c-2023ffff	Memory Logging Limit Reached for [PhysicalMemoryElementName] on Subsystem [MemoryElementName].	Yes
806f050c-2024ffff	Memory Logging Limit Reached for [PhysicalMemoryElementName] on Subsystem [MemoryElementName].	Yes
806f050c-202502ff	Memory Logging Limit Reached for [PhysicalMemoryElementName] on Subsystem [MemoryElementName].	Yes
806f050c-2025ffff	Memory Logging Limit Reached for [PhysicalMemoryElementName] on Subsystem [MemoryElementName].	Yes
806f050c-202602ff	Memory Logging Limit Reached for [PhysicalMemoryElementName] on Subsystem [MemoryElementName].	Yes
806f050c-2026ffff	Memory Logging Limit Reached for [PhysicalMemoryElementName] on Subsystem [MemoryElementName].	Yes

Table 6. Events that automatically notify Support (continued)

Event ID	Message String	Automatically Notify Support
806f050c-2027ffff	Memory Logging Limit Reached for [PhysicalMemoryElementName] on Subsystem [MemoryElementName].	Yes
806f050c-2028ffff	Memory Logging Limit Reached for [PhysicalMemoryElementName] on Subsystem [MemoryElementName].	Yes
806f050c-202902ff	Memory Logging Limit Reached for [PhysicalMemoryElementName] on Subsystem [MemoryElementName].	Yes
806f050c-2029ffff	Memory Logging Limit Reached for [PhysicalMemoryElementName] on Subsystem [MemoryElementName].	Yes
806f050c-202affff	Memory Logging Limit Reached for [PhysicalMemoryElementName] on Subsystem [MemoryElementName].	Yes
806f050c-202bffff	Memory Logging Limit Reached for [PhysicalMemoryElementName] on Subsystem [MemoryElementName].	Yes
806f050c-202cffff	Memory Logging Limit Reached for [PhysicalMemoryElementName] on Subsystem [MemoryElementName].	Yes
806f050c-202d02ff	Memory Logging Limit Reached for [PhysicalMemoryElementName] on Subsystem [MemoryElementName].	Yes
806f050c-202dffff	Memory Logging Limit Reached for [PhysicalMemoryElementName] on Subsystem [MemoryElementName].	Yes
806f050c-202effff	Memory Logging Limit Reached for [PhysicalMemoryElementName] on Subsystem [MemoryElementName].	Yes
806f050c-202fffff	Memory Logging Limit Reached for [PhysicalMemoryElementName] on Subsystem [MemoryElementName].	Yes
806f050c-203002ff	Memory Logging Limit Reached for [PhysicalMemoryElementName] on Subsystem [MemoryElementName].	Yes
806f050c-2030ffff	Memory Logging Limit Reached for [PhysicalMemoryElementName] on Subsystem [MemoryElementName].	Yes
806f050c-2581ffff	Memory Logging Limit Reached for [PhysicalMemoryElementName] on Subsystem [MemoryElementName].	Yes
806f060d-0400ffff	Array [ComputerSystemElementName] has failed.	Yes
806f060d-0401ffff	Array [ComputerSystemElementName] has failed.	Yes
806f060d-0402ffff	Array [ComputerSystemElementName] has failed.	Yes

Table 6. Events that automatically notify Support (continued)

Event ID	Message String	Automatically Notify Support
806f060d-0403ffff	Array [ComputerSystemElementName] has failed.	Yes
806f060d-0404ffff	Array [ComputerSystemElementName] has failed.	Yes
806f060d-0405ffff	Array [ComputerSystemElementName] has failed.	Yes
806f060d-0406ffff	Array [ComputerSystemElementName] has failed.	Yes
806f060d-0407ffff	Array [ComputerSystemElementName] has failed.	Yes
806f0813-2581ffff	An Uncorrectable Bus Error has occurred on bus [SensorElementName].	Yes
806f0813-2584ffff	An Uncorrectable Bus Error has occurred on bus [SensorElementName].	Yes

40000001-00000000 Management Controller [arg1] Network Initialization Complete.

Explanation: The IMM network subsystem initialization has completed.

May also be shown as 4000000100000000 or 0x4000000100000000

Severity: Info

Alert Category: System - IMM Network event

Serviceable: No

CIM Information: Prefix: IMM and ID: 0001

SNMP Trap ID: 37

Automatically notify Support: No

User response: Information only; no action is required.

40000002-00000000 Certificate Authority [arg1] has detected a [arg2] Certificate Error.

Explanation: A problem has occurred with the SSL Server, SSL Client, or SSL Trusted CA certificate that has been imported into the IMM. The imported certificate must contain a public key that corresponds to the key pair that was previously generated by the **Generate a New Key and Certificate Signing Request** link.

May also be shown as 4000000200000000 or 0x4000000200000000

Severity: Error

Alert Category: System - other

Serviceable: No

CIM Information: Prefix: IMM and ID: 0002

SNMP Trap ID: 22

Automatically notify Support: No

User response: Make sure that the certificate that you are importing is correct and properly generated.

40000003-00000000 Ethernet Data Rate modified from [arg1] to [arg2] by user [arg3].

Explanation: The specified user has changed the Ethernet data rate of the Integrated Management Module external network interface to the specified value.

May also be shown as 4000000300000000 or 0x4000000300000000

Severity: Info

Alert Category: none

Serviceable: No

CIM Information: Prefix: IMM and ID: 0003

SNMP Trap ID:

Automatically notify Support: No

User response: Information only; no action is required.

40000004-00000000 Ethernet Duplex setting modified from [arg1] to [arg2] by user [arg3].

Explanation: The specified user has changed the Ethernet duplex setting of the Integrated Management Module external network interface to the specified value.

May also be shown as 4000000400000000 or 0x4000000400000000

Severity: Info

Alert Category: none

Serviceable: No

CIM Information: Prefix: IMM and ID: 0004

SNMP Trap ID:

Automatically notify Support: No

User response: Information only; no action is required.

40000005-00000000 Ethernet MTU setting modified from [arg1] to [arg2] by user [arg3].

Explanation: The specified user has changed the Ethernet maximum transmission unit (MTU) setting of the Integrated Management Module external network interface to the specified value.

May also be shown as 4000000500000000 or 0x4000000500000000

Severity: Info

Alert Category: none

Serviceable: No

CIM Information: Prefix: IMM and ID: 0005

SNMP Trap ID:

Automatically notify Support: No

User response: Information only; no action is required.

40000006-00000000 Ethernet locally administered MAC address modified from [arg1] to [arg2] by user [arg3].

Explanation: The specified user has changed the Ethernet locally administered MAC address of the Integrated Management Module external network interface to the specified value.

May also be shown as 4000000600000000 or 0x4000000600000000

Severity: Info

Alert Category: none

Serviceable: No

CIM Information: Prefix: IMM and ID: 0006

SNMP Trap ID:

Automatically notify Support: No

User response: Information only; no action is required.

40000007-00000000 Ethernet interface [arg1] by user [arg2].

Explanation: The specified user has enabled or disabled the Ethernet interface.

May also be shown as 4000000700000000 or 0x4000000700000000

Severity: Info

Alert Category: none

Serviceable: No

CIM Information: Prefix: IMM and ID: 0007

SNMP Trap ID:

Automatically notify Support: No

User response: Information only; no action is required.

40000008-00000000 Hostname set to [arg1] by user [arg2].

Explanation: The specified user has changed the Integrated Management Module host name.

May also be shown as 4000000800000000 or 0x4000000800000000

Severity: Info

Alert Category: System - IMM Network event

Serviceable: No

CIM Information: Prefix: IMM and ID: 0008

SNMP Trap ID: 37

Automatically notify Support: No

User response: Information only; no action is required.

40000009-00000000 IP address of network interface modified from [arg1] to [arg2] by user [arg3].

Explanation: The specified user has changed the IP address of the Integrated Management Module external network interface to the specified value.

May also be shown as 4000000900000000 or 0x4000000900000000

Severity: Info

Alert Category: System - IMM Network event

Serviceable: No

CIM Information: Prefix: IMM and ID: 0009

SNMP Trap ID: 37

Automatically notify Support: No

User response: Information only; no action is required.

4000000a-00000000 IP subnet mask of network interface modified from [arg1] to [arg2] by user [arg3].

Explanation: The specified user has changed the subnet mask of the Integrated Management Module external network interface to the specified value.

May also be shown as 4000000a00000000 or 0x4000000a00000000

Severity: Info

Alert Category: none

Serviceable: No

CIM Information: Prefix: IMM and ID: 0010

SNMP Trap ID:

Automatically notify Support: No

User response: Information only; no action is required.

4000000b-00000000 IP address of default gateway modified from [arg1] to [arg2] by user [arg3].

Explanation: The specified user has changed the gateway address of the Integrated Management Module external network interface to the specified value.

May also be shown as 4000000b00000000 or 0x4000000b00000000

Severity: Info

Alert Category: none

Serviceable: No

CIM Information: Prefix: IMM and ID: 0011

SNMP Trap ID:

Automatically notify Support: No

User response: Information only; no action is required.

4000000c-00000000 OS Watchdog response [arg1] by [arg2] .

Explanation: The OS Watchdog timer has been enabled or disabled by a user.

May also be shown as 4000000c00000000 or 0x4000000c00000000

Severity: Info

Alert Category: none

Serviceable: No

CIM Information: Prefix: IMM and ID: 0012

SNMP Trap ID:

Automatically notify Support: No

User response: Information only; no action is required.

4000000d-00000000 DHCP[[arg1]] failure, no IP address assigned.

Explanation: A DHCP server has failed to assign an IP address to the IMM.

May also be shown as 4000000d00000000 or 0x4000000d00000000

Severity: Warning

Alert Category: none

Serviceable: No

CIM Information: Prefix: IMM and ID: 0013

SNMP Trap ID:

Automatically notify Support: No

User response: Complete the following steps until the problem is solved:

1. Make sure that the IMM network cable is connected.
2. Make sure that there is a DHCP server on the network that can assign an IP address to the IMM.

4000000e-00000000 Remote Login Successful. Login ID: [arg1] from [arg2] at IP address [arg3].

Explanation: The specified user has logged in to the Integrated Management Module.

May also be shown as 4000000e00000000 or 0x4000000e00000000

Severity: Info

Alert Category: System - Remote Login

Serviceable: No

CIM Information: Prefix: IMM and ID: 0014

SNMP Trap ID: 30

Automatically notify Support: No

User response: Information only; no action is required.

4000000f-00000000 Attempting to [arg1] server [arg2] by user [arg3].

Explanation: The specified user has initiated a power function on the system using the Management Controller.

May also be shown as 4000000f00000000 or 0x4000000f00000000

Severity: Info

Alert Category: none

Serviceable: No

CIM Information: Prefix: IMM and ID: 0015

SNMP Trap ID:

Automatically notify Support: No

User response: Information only; no action is required.

40000010-00000000 Security: Userid: [arg1] had [arg2] login failures from WEB client at IP address [arg3].

Explanation: A user has exceeded the maximum allowed number of unsuccessful login attempts from a web browser and has been prevented from logging in for the lockout period.

May also be shown as 4000001000000000 or 0x4000001000000000

Severity: Warning

Alert Category: System - Remote Login

Serviceable: No

CIM Information: Prefix: IMM and ID: 0016

SNMP Trap ID: 30

Automatically notify Support: No

User response: Complete the following steps until the problem is solved:

1. Make sure that the correct login ID and password are being used.
2. Have the system administrator reset the login ID or password.

40000011-00000000 Security: Login ID: [arg1] had [arg2] login failures from CLI at [arg3].

Explanation: A user has exceeded the maximum allowed number of unsuccessful login attempts from the command-line interface and has been prevented from logging in for the lockout period.

May also be shown as 4000001100000000 or 0x4000001100000000

Severity: Warning

Alert Category: System - Remote Login

Serviceable: No

CIM Information: Prefix: IMM and **ID:** 0017

SNMP Trap ID: 30

Automatically notify Support: No

User response: Complete the following steps until the problem is solved:

1. Make sure that the correct login ID and password are being used.
2. Have the system administrator reset the login ID or password.

40000012-00000000 Remote access attempt failed. Invalid userid or password received. Userid is [arg1] from WEB browser at IP address [arg2].

Explanation: A user has attempted to log in from a web browser by using an invalid login ID or password.

May also be shown as 4000001200000000 or 0x4000001200000000

Severity: Info

Alert Category: System - Remote Login

Serviceable: No

CIM Information: Prefix: IMM and **ID:** 0018

SNMP Trap ID: 30

Automatically notify Support: No

User response: Make sure that the correct login ID and password are being used.

40000013-00000000 Remote access attempt failed. Invalid userid or password received. Userid is [arg1] from TELNET client at IP address [arg2].

Explanation: A user has attempted to log in from a Telnet session by using an invalid login ID or password.

May also be shown as 4000001300000000 or 0x4000001300000000

Severity: Info

Alert Category: System - Remote Login

Serviceable: No

CIM Information: Prefix: IMM and **ID:** 0019

SNMP Trap ID: 30

Automatically notify Support: No

User response: Make sure that the correct login ID and password are being used.

40000014-00000000 The [arg1] on system [arg2] cleared by user [arg3].

Explanation: The specified user has deleted system log events or audit log events.

May also be shown as 4000001400000000 or 0x4000001400000000

Severity: Info

Alert Category: none

Serviceable: No

CIM Information: Prefix: IMM and ID: 0020

SNMP Trap ID:

Automatically notify Support: No

User response: Information only; no action is required.

40000015-00000000 Management Controller [arg1] reset was initiated by user [arg2].

Explanation: The Integrated Management Module has been reset. The logs provide additional details.

May also be shown as 4000001500000000 or 0x4000001500000000

Severity: Info

Alert Category: none

Serviceable: No

CIM Information: Prefix: IMM and ID: 0021

SNMP Trap ID:

Automatically notify Support: No

User response: Information only; no action is required.

40000016-00000000 ENET[[arg1]] DHCP-HSTN=[arg2], DN=[arg3], IP@=[arg4], SN=[arg5], GW@=[arg6], DNS1@=[arg7] .

Explanation: The DHCP server has assigned an IMM IP address and configuration.

May also be shown as 4000001600000000 or 0x4000001600000000

Severity: Info

Alert Category: none

Serviceable: No

CIM Information: Prefix: IMM and ID: 0022

SNMP Trap ID:

Automatically notify Support: No

User response: Information only; no action is required.

40000017-00000000 ENET[[arg1]] IP-Cfg:HstName=[arg2], IP@=[arg3] ,NetMsk=[arg4], GW@=[arg5] .

Explanation: An IMM IP address and configuration have been assigned using client data.

May also be shown as 4000001700000000 or 0x4000001700000000

Severity: Info

Alert Category: none

Serviceable: No

CIM Information: Prefix: IMM and ID: 0023

SNMP Trap ID:

Automatically notify Support: No

User response: Information only; no action is required.

40000018-00000000 • 4000001b-00000000

40000018-00000000 LAN: Ethernet[[arg1]] interface is no longer active.

Explanation: The IMM Ethernet interface has been disabled.

May also be shown as 4000001800000000 or 0x4000001800000000

Severity: Info

Alert Category: none

Serviceable: No

CIM Information: Prefix: IMM and ID: 0024

SNMP Trap ID:

Automatically notify Support: No

User response: Information only; no action is required.

40000019-00000000 LAN: Ethernet[[arg1]] interface is now active.

Explanation: The IMM Ethernet interface has been enabled.

May also be shown as 4000001900000000 or 0x4000001900000000

Severity: Info

Alert Category: none

Serviceable: No

CIM Information: Prefix: IMM and ID: 0025

SNMP Trap ID:

Automatically notify Support: No

User response: Information only; no action is required.

4000001a-00000000 DHCP setting changed to [arg1] by user [arg2].

Explanation: The specified user has changed the DHCP setting of the Integrated Management Module external network interface.

May also be shown as 4000001a00000000 or 0x4000001a00000000

Severity: Info

Alert Category: none

Serviceable: No

CIM Information: Prefix: IMM and ID: 0026

SNMP Trap ID:

Automatically notify Support: No

User response: Information only; no action is required.

4000001b-00000000 Management Controller [arg1]: Configuration restored from a file by user [arg2].

Explanation: The specified user has restored the Integrated Management Module (IMM) configuration from a previously saved configuration file. Some configuration settings might require that the IMM be restarted before they take effect.

May also be shown as 4000001b00000000 or 0x4000001b00000000

Severity: Info

Alert Category: none

Serviceable: No

CIM Information: Prefix: IMM and ID: 0027

SNMP Trap ID:

Automatically notify Support: No

User response: Information only; no action is required.

4000001c-00000000 Watchdog [arg1] Screen Capture Occurred.

Explanation: An operating-system error has occurred, and the screen capture was successful.

May also be shown as 4000001c00000000 or 0x4000001c00000000

Severity: Info

Alert Category: System - other

Serviceable: No

CIM Information: Prefix: IMM and ID: 0028

SNMP Trap ID: 22

Automatically notify Support: No

User response: If there was no operating-system error, complete the following steps until the problem is solved:

1. Reconfigure the watchdog timer to a higher value.
2. Make sure that the IMM Ethernet-over-USB interface is enabled.
3. Reinstall the RNDIS or cdc_ether device driver for the operating system.
4. Disable the watchdog.

If there was an operating-system error, check the integrity of the installed operating system.

Related Links:

- “Installing the LAN over USB Linux device driver” on page 58
- “Installing the LAN over USB Windows device driver” on page 56

4000001d-00000000 Watchdog [arg1] Failed to Capture Screen.

Explanation: An operating-system error has occurred, and the screen capture failed.

May also be shown as 4000001d00000000 or 0x4000001d00000000

Severity: Error

Alert Category: System - other

Serviceable: No

CIM Information: Prefix: IMM and ID: 0029

SNMP Trap ID: 22

Automatically notify Support: No

User response: Complete the following steps until the problem is solved:

1. Reconfigure the watchdog timer to a higher value.
2. Make sure that the IMM Ethernet over USB interface is enabled.
3. Reinstall the RNDIS or cdc_ether device driver for the operating system.
4. Disable the watchdog.
5. Check the integrity of the installed operating system.
6. Update the IMM firmware. **Important:** Some cluster solutions require specific code levels or coordinated code updates. If the device is part of a cluster solution, verify that the latest level of code is supported for the cluster solution before you update the code.

Related Links:

4000001e-00000000 • 40000020-00000000

- “Installing the LAN over USB Linux device driver” on page 58
- “Installing the LAN over USB Windows device driver” on page 56

4000001e-00000000 Running the backup Management Controller [arg1] main application.

Explanation: The IMM was unable to run the primary IMM image and has resorted to running the backup image. May also be shown as 4000001e00000000 or 0x4000001e00000000

Severity: Warning

Alert Category: System - other

Serviceable: No

CIM Information: Prefix: IMM and ID: 0030

SNMP Trap ID: 22

Automatically notify Support: No

User response: Update the IMM firmware. **Important:** Some cluster solutions require specific code levels or coordinated code updates. If the device is part of a cluster solution, verify that the latest level of code is supported for the cluster solution before you update the code.

Related Links:

- “Updating firmware and device drivers” on page 25
- IBM Flex System and IBM PureFlex Firmware Updates Best Practices

4000001f-00000000 Please ensure that the Management Controller [arg1] is flashed with the correct firmware. The Management Controller is unable to match its firmware to the server.

Explanation: The server does not support the installed IMM firmware version.

May also be shown as 4000001f00000000 or 0x4000001f00000000

Severity: Error

Alert Category: System - other

Serviceable: No

CIM Information: Prefix: IMM and ID: 0031

SNMP Trap ID: 22

Automatically notify Support: No

User response: Update the IMM firmware to a version that the server supports. **Important:** Some cluster solutions require specific code levels or coordinated code updates. If the device is part of a cluster solution, verify that the latest level of code is supported for the cluster solution before you update the code.

Related Links:

- “Updating firmware and device drivers” on page 25
- IBM Flex System and IBM PureFlex Firmware Updates Best Practices

40000020-00000000 Management Controller [arg1] Reset was caused by restoring default values.

Explanation: The default configuration has been restored to the Integrated Management Module.

May also be shown as 4000002000000000 or 0x4000002000000000

Severity: Info

Alert Category: none

Serviceable: No

CIM Information: Prefix: IMM and ID: 0032

SNMP Trap ID:

Automatically notify Support: No

User response: Information only; no action is required.

40000021-00000000 Management Controller [arg1] clock has been set from NTP server [arg2].

Explanation: The IMM clock has been set to the date and time that are provided by the Network Time Protocol server.

May also be shown as 4000002100000000 or 0x4000002100000000

Severity: Info

Alert Category: none

Serviceable: No

CIM Information: Prefix: IMM and ID: 0033

SNMP Trap ID:

Automatically notify Support: No

User response: Information only; no action is required.

40000022-00000000 SSL data in the Management Controller [arg1] configuration data is invalid. Clearing configuration data region and disabling SSL.

Explanation: There is a problem with the certificate that has been imported into the IMM. The imported certificate must contain a public key that corresponds to the key pair that was previously generated through the "Generate a New Key and Certificate Signing Request " link.

May also be shown as 4000002200000000 or 0x4000002200000000

Severity: Error

Alert Category: System - other

Serviceable: No

CIM Information: Prefix: IMM and ID: 0034

SNMP Trap ID: 22

Automatically notify Support: No

User response: Complete the following steps until the problem is solved:

1. Make sure that the certificate that you are importing is correct.
 2. Try to import the certificate again.
-

40000023-00000000 Flash of [arg1] from [arg2] succeeded for user [arg3] .

Explanation: The specified firmware update has been completed.

May also be shown as 4000002300000000 or 0x4000002300000000

Severity: Info

Alert Category: none

Serviceable: No

CIM Information: Prefix: IMM and ID: 0035

SNMP Trap ID:

Automatically notify Support: No

User response: Information only; no action is required.

40000024-00000000 • 40000027-00000000

40000024-00000000 Flash of [arg1] from [arg2] failed for user [arg3].

Explanation: The specified firmware has not been updated.

May also be shown as 4000002400000000 or 0x4000002400000000

Severity: Info

Alert Category: System - other

Serviceable: No

CIM Information: Prefix: IMM and ID: 0036

SNMP Trap ID: 22

Automatically notify Support: No

User response: Information only; no action is required.

40000025-00000000 The [arg1] on system [arg2] is 75% full.

Explanation: The IMM event log is 75% full. When the event log is completely full, the new entries will overwrite the oldest entries. To avoid losing older log entries, save the log as a text file and clear the log.

May also be shown as 4000002500000000 or 0x4000002500000000

Severity: Info

Alert Category: System - Event Log Fullness

Serviceable: No

CIM Information: Prefix: IMM and ID: 0037

SNMP Trap ID: 35

Automatically notify Support: No

User response: Information only; no action is required.

40000026-00000000 The [arg1] on system [arg2] is 100% full.

Explanation: The IMM event log is full. New entries in the log will overwrite the oldest entries. To avoid losing older log entries, save the log as a text file and clear the log.

May also be shown as 4000002600000000 or 0x4000002600000000

Severity: Info

Alert Category: System - Event Log Fullness

Serviceable: No

CIM Information: Prefix: IMM and ID: 0038

SNMP Trap ID: 35

Automatically notify Support: No

User response: To avoid losing older log entries, save the log as a text file and clear the log.

40000027-00000000 Platform Watchdog Timer expired for [arg1].

Explanation: A "Platform Watchdog Timer Expired" event has occurred.

May also be shown as 4000002700000000 or 0x4000002700000000

Severity: Error

Alert Category: System - OS Timeout

Serviceable: No

CIM Information: Prefix: IMM and ID: 0039

SNMP Trap ID: 21

Automatically notify Support: No

User response: Complete the following steps until the problem is solved:

1. Reconfigure the watchdog timer to a higher value.
2. Make sure that the IMM Ethernet-over-USB interface is enabled.
3. Reinstall the RNDIS or cdc_ether device driver for the operating system.
4. Disable the watchdog.
5. Check the integrity of the installed operating system.

Related Links:

- “Installing the LAN over USB Linux device driver” on page 58
- “Installing the LAN over USB Windows device driver” on page 56

40000028-00000000 Management Controller Test Alert Generated by [arg1].

Explanation: The Integrated Management Module has sent a test message to help verify connectivity.

May also be shown as 4000002800000000 or 0x4000002800000000

Severity: Info

Alert Category: System - other

Serviceable: No

CIM Information: Prefix: IMM and ID: 0040

SNMP Trap ID: 22

Automatically notify Support: No

User response: Information only; no action is required.

40000029-00000000 Security: Userid: [arg1] had [arg2] login failures from an SSH client at IP address [arg3].

Explanation: A user has exceeded the maximum allowed number of unsuccessful login attempts from SSH and has been prevented from logging in for the lockout period.

May also be shown as 4000002900000000 or 0x4000002900000000

Severity: Info

Alert Category: System - Remote Login

Serviceable: No

CIM Information: Prefix: IMM and ID: 0041

SNMP Trap ID: 30

Automatically notify Support: No

User response: Complete the following steps until the problem is solved:

1. Make sure that the correct login ID and password are being used.
2. Have the system administrator reset the login ID or password.

4000002a-00000000 [arg1] firmware mismatch internal to system [arg2]. Please attempt to flash the [arg3] firmware.

Explanation: A specific type of firmware mismatch has been detected.

May also be shown as 4000002a00000000 or 0x4000002a00000000

Severity: Error

4000002b-00000000 • 4000002d-00000000

Alert Category: System - Other

Serviceable: No

CIM Information: Prefix: IMM and ID: 0042

SNMP Trap ID: 22

Automatically notify Support: No

User response: Update the IMM firmware to the latest version.

Related Links:

- “Updating firmware and device drivers” on page 25
- IBM Flex System and IBM PureFlex Firmware Updates Best Practices

4000002b-00000000 Domain name set to [arg1].

Explanation: Domain name set by user.

May also be shown as 4000002b00000000 or 0x4000002b00000000

Severity: Info

Alert Category: none

Serviceable: No

CIM Information: Prefix: IMM and ID: 0043

SNMP Trap ID:

Automatically notify Support: No

User response: Information only; no action is required.

4000002c-00000000 Domain Source changed to [arg1] by user [arg2].

Explanation: Domain source changed by user.

May also be shown as 4000002c00000000 or 0x4000002c00000000

Severity: Info

Alert Category: none

Serviceable: No

CIM Information: Prefix: IMM and ID: 0044

SNMP Trap ID:

Automatically notify Support: No

User response: Information only; no action is required.

4000002d-00000000 DDNS setting changed to [arg1] by user [arg2].

Explanation: DDNS setting changed by user.

May also be shown as 4000002d00000000 or 0x4000002d00000000

Severity: Info

Alert Category: none

Serviceable: No

CIM Information: Prefix: IMM and ID: 0045

SNMP Trap ID:

Automatically notify Support: No

User response: Information only; no action is required.

4000002e-00000000 DDNS registration successful. The domain name is [arg1].

Explanation: The DDNS registration was successful.

May also be shown as 4000002e00000000 or 0x4000002e00000000

Severity: Info

Alert Category: none

Serviceable: No

CIM Information: Prefix: IMM and ID: 0046

SNMP Trap ID:

Automatically notify Support: No

User response: Information only; no action is required.

4000002f-00000000 IPv6 enabled by user [arg1] .

Explanation: The specified user has enabled IPv6 support on the Integrated Management Module.

May also be shown as 4000002f00000000 or 0x4000002f00000000

Severity: Info

Alert Category: none

Serviceable: No

CIM Information: Prefix: IMM and ID: 0047

SNMP Trap ID:

Automatically notify Support: No

User response: Information only; no action is required.

40000030-00000000 IPv6 disabled by user [arg1] .

Explanation: The specified user has disabled IPv6 support on the Integrated Management Module.

May also be shown as 4000003000000000 or 0x4000003000000000

Severity: Info

Alert Category: none

Serviceable: No

CIM Information: Prefix: IMM and ID: 0048

SNMP Trap ID:

Automatically notify Support: No

User response: Information only; no action is required.

40000031-00000000 IPv6 static IP configuration enabled by user [arg1].

Explanation: The specified user has enabled IPv6 static address assignment on the Integrated Management Module.

May also be shown as 4000003100000000 or 0x4000003100000000

Severity: Info

Alert Category: none

Serviceable: No

40000032-00000000 • 40000034-00000000

CIM Information: Prefix: IMM and ID: 0049

SNMP Trap ID:

Automatically notify Support: No

User response: Information only; no action is required.

40000032-00000000 IPv6 DHCP enabled by user [arg1].

Explanation: The specified user has enabled DHCPv6 on the Integrated Management Module.

May also be shown as 4000003200000000 or 0x4000003200000000

Severity: Info

Alert Category: none

Serviceable: No

CIM Information: Prefix: IMM and ID: 0050

SNMP Trap ID:

Automatically notify Support: No

User response: Information only; no action is required.

40000033-00000000 IPv6 stateless auto-configuration enabled by user [arg1].

Explanation: IPv6 stateless address auto-configuration has been enabled on the Integrated Management Module by the specified user.

May also be shown as 4000003300000000 or 0x4000003300000000

Severity: Info

Alert Category: none

Serviceable: No

CIM Information: Prefix: IMM and ID: 0051

SNMP Trap ID:

Automatically notify Support: No

User response: Information only; no action is required.

40000034-00000000 IPv6 static IP configuration disabled by user [arg1].

Explanation: The specified user has disabled IPv6 static address assignment on the Integrated Management Module.

May also be shown as 4000003400000000 or 0x4000003400000000

Severity: Info

Alert Category: none

Serviceable: No

CIM Information: Prefix: IMM and ID: 0052

SNMP Trap ID:

Automatically notify Support: No

User response: Information only; no action is required.

40000035-00000000 IPv6 DHCP disabled by user [arg1].

Explanation: The specified user has disabled DHCPv6 on the Integrated Management Module.

May also be shown as 4000003500000000 or 0x4000003500000000

Severity: Info

Alert Category: none

Serviceable: No

CIM Information: Prefix: IMM and ID: 0053

SNMP Trap ID:

Automatically notify Support: No

User response: Information only; no action is required.

40000036-00000000 IPv6 stateless auto-configuration disabled by user [arg1].

Explanation: IPv6 stateless address auto-configuration has been disabled on the Integrated Management Module by the specified user.

May also be shown as 4000003600000000 or 0x4000003600000000

Severity: Info

Alert Category: none

Serviceable: No

CIM Information: Prefix: IMM and ID: 0054

SNMP Trap ID:

Automatically notify Support: No

User response: Information only; no action is required.

40000037-00000000 ENET[[arg1]] IPv6-LinkLocal:HstName=[arg2], IP@[arg3], Pref=[arg4] .

Explanation: The IPv6 link-local address is active.

May also be shown as 4000003700000000 or 0x4000003700000000

Severity: Info

Alert Category: none

Serviceable: No

CIM Information: Prefix: IMM and ID: 0055

SNMP Trap ID:

Automatically notify Support: No

User response: Information only; no action is required.

40000038-00000000 ENET[[arg1]] IPv6-Static:HstName=[arg2], IP@[arg3], Pref=[arg4], GW@[arg5].

Explanation: The IPv6 static address is active.

May also be shown as 4000003800000000 or 0x4000003800000000

Severity: Info

Alert Category: none

Serviceable: No

CIM Information: Prefix: IMM and ID: 0056

40000039-00000000 • 4000003b-00000000

SNMP Trap ID:

Automatically notify Support: No

User response: Information only; no action is required.

40000039-00000000 ENET[[arg1]] DHCPv6-HSTN=[arg2], DN=[arg3], IP@[arg4], Pref=[arg5].

Explanation: The IPv6 DHCP-assigned address is active.

May also be shown as 4000003900000000 or 0x4000003900000000

Severity: Info

Alert Category: none

Serviceable: No

CIM Information: Prefix: IMM and ID: 0057

SNMP Trap ID:

Automatically notify Support: No

User response: Information only; no action is required.

4000003a-00000000 IPv6 static address of network interface modified from [arg1] to [arg2] by user [arg3].

Explanation: A user has modified the IPv6 static address of a Management Controller.

May also be shown as 4000003a00000000 or 0x4000003a00000000

Severity: Info

Alert Category: none

Serviceable: No

CIM Information: Prefix: IMM and ID: 0058

SNMP Trap ID:

Automatically notify Support: No

User response: Information only; no action is required.

4000003b-00000000 DHCPv6 failure, no IP address assigned.

Explanation: The DHCPv6 server has failed to assign an IP address to a management controller.

May also be shown as 4000003b00000000 or 0x4000003b00000000

Severity: Warning

Alert Category: none

Serviceable: No

CIM Information: Prefix: IMM and ID: 0059

SNMP Trap ID:

Automatically notify Support: No

User response: Complete the following steps until the problem is solved:

1. Make sure that the IMM network cable is connected.
 2. Make sure that there is a DHCPv6 server on the network that can assign an IP address to the IMM.
-

4000003c-00000000 Platform Watchdog Timer expired for [arg1].

Explanation: IMM has detected an OS did not start in the expected amount of time.

May also be shown as 4000003c00000000 or 0x4000003c00000000

Severity: Error

Alert Category: System - Loader timeout

Serviceable: No

CIM Information: Prefix: IMM and ID: 0060

SNMP Trap ID: 26

Automatically notify Support: No

User response:

1. Reconfigure the watchdog timer to a higher value.
2. Make sure that the IMM Ethernet over USB interface is enabled.
3. Reinstall the RNDIS or cdc_ether device driver for the operating system.
4. Disable the watchdog.
5. Check the integrity of the installed operating system

Related Links:

- “Installing the LAN over USB Linux device driver” on page 58
- “Installing the LAN over USB Windows device driver” on page 56

4000003d-00000000 Telnet port number changed from [arg1] to [arg2] by user [arg3].

Explanation: The specified user has changed the Telnet port number.

May also be shown as 4000003d00000000 or 0x4000003d00000000

Severity: Info

Alert Category: none

Serviceable: No

CIM Information: Prefix: IMM and ID: 0061

SNMP Trap ID:

Automatically notify Support: No

User response: Information only; no action is required.

4000003e-00000000 SSH port number changed from [arg1] to [arg2] by user [arg3].

Explanation: The specified user has changed the Secure Shell (SSH) port number.

May also be shown as 4000003e00000000 or 0x4000003e00000000

Severity: Info

Alert Category: none

Serviceable: No

CIM Information: Prefix: IMM and ID: 0062

SNMP Trap ID:

Automatically notify Support: No

User response: Information only; no action is required.

4000003f-00000000 • 40000042-00000000

4000003f-00000000 Web-HTTP port number changed from [arg1] to [arg2] by user [arg3].

Explanation: The specified user has changed the HTTP port number. New HTTP (web) connections must use the new port number.

May also be shown as 4000003f00000000 or 0x4000003f00000000

Severity: Info

Alert Category: none

Serviceable: No

CIM Information: Prefix: IMM and ID: 0063

SNMP Trap ID:

Automatically notify Support: No

User response: Information only; no action is required.

40000040-00000000 Web-HTTPS port number changed from [arg1] to [arg2] by user [arg3].

Explanation: The specified user has changed the HTTPS port number. New HTTPS (secure web) connections must use the new port number.

May also be shown as 4000004000000000 or 0x4000004000000000

Severity: Info

Alert Category: none

Serviceable: No

CIM Information: Prefix: IMM and ID: 0064

SNMP Trap ID:

Automatically notify Support: No

User response: Information only; no action is required.

40000041-00000000 CIM/XML HTTP port number changed from [arg1] to [arg2] by user [arg3].

Explanation: The specified user has changed the CIM HTTP port number.

May also be shown as 4000004100000000 or 0x4000004100000000

Severity: Info

Alert Category: none

Serviceable: No

CIM Information: Prefix: IMM and ID: 0065

SNMP Trap ID:

Automatically notify Support: No

User response: Information only; no action is required.

40000042-00000000 CIM/XML HTTPS port number changed from [arg1] to [arg2] by user [arg3].

Explanation: The specified user has changed the CIM HTTPS port number.

May also be shown as 4000004200000000 or 0x4000004200000000

Severity: Info

Alert Category: none

Serviceable: No

CIM Information: Prefix: IMM and ID: 0066

SNMP Trap ID:

Automatically notify Support: No

User response: Information only; no action is required.

40000043-00000000 SNMP Agent port number changed from [arg1] to [arg2] by user [arg3].

Explanation: The specified user has changed the Simple Network Management Protocol (SNMP) agent port number.

May also be shown as 4000004300000000 or 0x4000004300000000

Severity: Info

Alert Category: none

Serviceable: No

CIM Information: Prefix: IMM and ID: 0067

SNMP Trap ID:

Automatically notify Support: No

User response: Information only; no action is required.

40000044-00000000 SNMP Traps port number changed from [arg1] to [arg2] by user [arg3].

Explanation: The specified user has changed the Simple Network Management Protocol (SNMP) traps port number.

May also be shown as 4000004400000000 or 0x4000004400000000

Severity: Info

Alert Category: none

Serviceable: No

CIM Information: Prefix: IMM and ID: 0068

SNMP Trap ID:

Automatically notify Support: No

User response: Information only; no action is required.

40000045-00000000 Syslog port number changed from [arg1] to [arg2] by user [arg3].

Explanation: A user has modified the Syslog receiver port number.

May also be shown as 4000004500000000 or 0x4000004500000000

Severity: Info

Alert Category: none

Serviceable: No

CIM Information: Prefix: IMM and ID: 0069

SNMP Trap ID:

Automatically notify Support: No

User response: Information only; no action is required.

40000046-00000000 • 40000049-00000000

40000046-00000000 Remote Presence port number changed from [arg1] to [arg2] by user [arg3].

Explanation: A user has modified the Remote Presence port number.

May also be shown as 4000004600000000 or 0x4000004600000000

Severity: Info

Alert Category: none

Serviceable: No

CIM Information: Prefix: IMM and ID: 0070

SNMP Trap ID:

Automatically notify Support: No

User response: Information only; no action is required.

40000047-00000000 LED [arg1] state changed to [arg2] by [arg3].

Explanation: The specified LED has changed state.

May also be shown as 4000004700000000 or 0x4000004700000000

Severity: Info

Alert Category: none

Serviceable: No

CIM Information: Prefix: IMM and ID: 0071

SNMP Trap ID:

Automatically notify Support: No

User response: Information only; no action is required.

40000048-00000000 Inventory data changed for device [arg1], new device data hash=[arg2], new master data hash=[arg3] .

Explanation: The physical inventory has changed.

May also be shown as 4000004800000000 or 0x4000004800000000

Severity: Info

Alert Category: none

Serviceable: No

CIM Information: Prefix: IMM and ID: 0072

SNMP Trap ID:

Automatically notify Support: No

User response: Information only; no action is required.

40000049-00000000 SNMP [arg1] enabled by user [arg2] .

Explanation: The specified user has enabled the SNMPv1 or SNMPv3 agent.

May also be shown as 4000004900000000 or 0x4000004900000000

Severity: Info

Alert Category: none

Serviceable: No

CIM Information: Prefix: IMM and ID: 0073

SNMP Trap ID:

Automatically notify Support: No

User response: Information only; no action is required.

4000004a-00000000 SNMP [arg1] disabled by user [arg2] .

Explanation: The specified user has disabled the SNMPv1 or SNMPv3 agent.

May also be shown as 4000004a00000000 or 0x4000004a00000000

Severity: Info

Alert Category: none

Serviceable: No

CIM Information: Prefix: IMM and ID: 0074

SNMP Trap ID:

Automatically notify Support: No

User response: Information only; no action is required.

4000004b-00000000 SNMPv1 [arg1] set by user [arg2]: Name=[arg3], AccessType=[arg4], Address=[arg5], .

Explanation: A user changed the SNMP community string.

May also be shown as 4000004b00000000 or 0x4000004b00000000

Severity: Info

Alert Category: none

Serviceable: No

CIM Information: Prefix: IMM and ID: 0075

SNMP Trap ID:

Automatically notify Support: No

User response: Information only; no action is required.

4000004c-00000000 LDAP Server configuration set by user [arg1]: SelectionMethod=[arg2], DomainName=[arg3], Server1=[arg4], Server2=[arg5], Server3=[arg6], Server4=[arg7].

Explanation: A user changed the LDAP server configuration.

May also be shown as 4000004c00000000 or 0x4000004c00000000

Severity: Info

Alert Category: none

Serviceable: No

CIM Information: Prefix: IMM and ID: 0076

SNMP Trap ID:

Automatically notify Support: No

User response: Information only; no action is required.

4000004d-00000000 LDAP set by user [arg1]: RootDN=[arg2], UIDSearchAttribute=[arg3], BindingMethod=[arg4], EnhancedRBS=[arg5], TargetName=[arg6], GroupFilter=[arg7], GroupAttribute=[arg8], LoginAttribute=[arg9].

Explanation: A user configured an LDAP Miscellaneous setting.

4000004e-00000000 • 40000050-00000000

May also be shown as 4000004d00000000 or 0x4000004d00000000

Severity: Info

Alert Category: none

Serviceable: No

CIM Information: Prefix: IMM and ID: 0077

SNMP Trap ID:

Automatically notify Support: No

User response: Information only; no action is required.

4000004e-00000000 Serial Redirection set by user [arg1]: Mode=[arg2], BaudRate=[arg3], StopBits=[arg4], Parity=[arg5], SessionTerminateSequence=[arg6].

Explanation: A user configured the Serial Port mode.

May also be shown as 4000004e00000000 or 0x4000004e00000000

Severity: Info

Alert Category: none

Serviceable: No

CIM Information: Prefix: IMM and ID: 0078

SNMP Trap ID:

Automatically notify Support: No

User response: Information only; no action is required.

4000004f-00000000 Date and Time set by user [arg1]: Date=[arg2], Time=[arg3], DST Auto-adjust=[arg4], Timezone=[arg5].

Explanation: The specified user has changed the date and time in the Integrated Management Module.

May also be shown as 4000004f00000000 or 0x4000004f00000000

Severity: Info

Alert Category: none

Serviceable: No

CIM Information: Prefix: IMM and ID: 0079

SNMP Trap ID:

Automatically notify Support: No

User response: Information only; no action is required.

40000050-00000000 Server General Settings set by user [arg1]: Name=[arg2], Contact=[arg3], Location=[arg4], Room=[arg5], RackID=[arg6], Rack U-position=[arg7].

Explanation: A user configured the Location setting.

May also be shown as 4000005000000000 or 0x4000005000000000

Severity: Info

Alert Category: none

Serviceable: No

CIM Information: Prefix: IMM and ID: 0080

SNMP Trap ID:

Automatically notify Support: No

User response: Information only; no action is required.

40000051-00000000 Server Power Off Delay set to [arg1] by user [arg2].

Explanation: A user configured the Server Power Off Delay.

May also be shown as 4000005100000000 or 0x4000005100000000

Severity: Info

Alert Category: none

Serviceable: No

CIM Information: Prefix: IMM and ID: 0081

SNMP Trap ID:

Automatically notify Support: No

User response: Information only; no action is required.

40000052-00000000 Server [arg1] scheduled for [arg2] at [arg3] by user [arg4].

Explanation: A user configured a Server Power action at a specific time.

May also be shown as 4000005200000000 or 0x4000005200000000

Severity: Info

Alert Category: none

Serviceable: No

CIM Information: Prefix: IMM and ID: 0082

SNMP Trap ID:

Automatically notify Support: No

User response: Information only; no action is required.

40000053-00000000 Server [arg1] scheduled for every [arg2] at [arg3] by user [arg4].

Explanation: A user configured a recurring Server Power Action.

May also be shown as 4000005300000000 or 0x4000005300000000

Severity: Info

Alert Category: none

Serviceable: No

CIM Information: Prefix: IMM and ID: 0083

SNMP Trap ID:

Automatically notify Support: No

User response: Information only; no action is required.

40000054-00000000 Server [arg1] [arg2] cleared by user [arg3].

Explanation: A user cleared a Server Power Action.

May also be shown as 4000005400000000 or 0x4000005400000000

Severity: Info

Alert Category: none

40000055-00000000 • 40000057-00000000

Serviceable: No

CIM Information: Prefix: IMM and ID: 0084

SNMP Trap ID:

Automatically notify Support: No

User response: Information only; no action is required.

40000055-00000000 Synchronize time setting by user [arg1]: Mode=[arg2], NTPServerHost1=[arg3]:[arg4], NTPServerHost2=[arg5]:[arg6], NTPServerHost3=[arg7]:[arg8], NTPServerHost4=[arg9]:[arg10], NTPUpdateFrequency=[arg11].

Explanation: A user configured the Date and Time synchronize settings.

May also be shown as 4000005500000000 or 0x4000005500000000

Severity: Info

Alert Category: none

Serviceable: No

CIM Information: Prefix: IMM and ID: 0085

SNMP Trap ID:

Automatically notify Support: No

User response: Information only; no action is required.

40000056-00000000 SMTP Server set by user [arg1] to [arg2]:[arg3].

Explanation: A user configured the SMTP server.

May also be shown as 4000005600000000 or 0x4000005600000000

Severity: Info

Alert Category: none

Serviceable: No

CIM Information: Prefix: IMM and ID: 0086

SNMP Trap ID:

Automatically notify Support: No

User response: Information only; no action is required.

40000057-00000000 Telnet [arg1] by user [arg2].

Explanation: The specified user has enabled or disabled Telnet.

May also be shown as 4000005700000000 or 0x4000005700000000

Severity: Info

Alert Category: none

Serviceable: No

CIM Information: Prefix: IMM and ID: 0087

SNMP Trap ID:

Automatically notify Support: No

User response: Information only; no action is required.

40000058-00000000 DNS servers set by user [arg1]: UseAdditionalServers=[arg2], PreferredDNStype=[arg3], IPv4Server1=[arg4], IPv4Server2=[arg5], IPv4Server3=[arg6], IPv6Server1=[arg7], IPv6Server2=[arg8], IPv6Server3=[arg9].

Explanation: The specified user has configured the DNS servers.

May also be shown as 4000005800000000 or 0x4000005800000000

Severity: Info

Alert Category: none

Serviceable: No

CIM Information: Prefix: IMM and ID: 0088

SNMP Trap ID:

Automatically notify Support: No

User response: Information only; no action is required.

40000059-00000000 LAN over USB [arg1] by user [arg2].

Explanation: A user configured USB-LAN.

May also be shown as 4000005900000000 or 0x4000005900000000

Severity: Info

Alert Category: none

Serviceable: No

CIM Information: Prefix: IMM and ID: 0089

SNMP Trap ID:

Automatically notify Support: No

User response: Information only; no action is required.

4000005a-00000000 LAN over USB Port Forwarding set by user [arg1]: ExternalPort=[arg2], USB-LAN port=[arg3].

Explanation: A user configured USB-LAN port forwarding.

May also be shown as 4000005a00000000 or 0x4000005a00000000

Severity: Info

Alert Category: none

Serviceable: No

CIM Information: Prefix: IMM and ID: 0090

SNMP Trap ID:

Automatically notify Support: No

User response: Information only; no action is required.

4000005b-00000000 Secure Web services (HTTPS) [arg1] by user [arg2].

Explanation: A user enables or disables Secure web services.

May also be shown as 4000005b00000000 or 0x4000005b00000000

Severity: Info

Alert Category: none

Serviceable: No

4000005c-00000000 • 4000005e-00000000

CIM Information: Prefix: IMM and ID: 0091

SNMP Trap ID:

Automatically notify Support: No

User response: Information only; no action is required.

4000005c-00000000 Secure CIM/XML(HTTPS) [arg1] by user [arg2].

Explanation: The secure CIM-XML port has been enabled or disabled.

May also be shown as 4000005c00000000 or 0x4000005c00000000

Severity: Info

Alert Category: none

Serviceable: No

CIM Information: Prefix: IMM and ID: 0092

SNMP Trap ID:

Automatically notify Support: No

User response: Information only; no action is required.

4000005d-00000000 Secure LDAP [arg1] by user [arg2].

Explanation: A user enables or disables Secure LDAP services.

May also be shown as 4000005d00000000 or 0x4000005d00000000

Severity: Info

Alert Category: none

Serviceable: No

CIM Information: Prefix: IMM and ID: 0093

SNMP Trap ID:

Automatically notify Support: No

User response: Information only; no action is required.

4000005e-00000000 SSH [arg1] by user [arg2].

Explanation: The specified user has enabled or disabled the Secure Shell (SSH) service.

May also be shown as 4000005e00000000 or 0x4000005e00000000

Severity: Info

Alert Category: none

Serviceable: No

CIM Information: Prefix: IMM and ID: 0094

SNMP Trap ID:

Automatically notify Support: No

User response: Information only; no action is required.

4000005f-00000000 Server timeouts set by user [arg1]: EnableOSWatchdog=[arg2], OSWatchdogTimeout=[arg3], EnableLoaderWatchdog=[arg4], LoaderTimeout=[arg5].

Explanation: A user configures Server Timeouts.

May also be shown as 4000005f00000000 or 0x4000005f00000000

Severity: Info

Alert Category: none

Serviceable: No

CIM Information: Prefix: IMM and ID: 0095

SNMP Trap ID:

Automatically notify Support: No

User response: Information only; no action is required.

40000060-00000000 License key for [arg1] added by user [arg2].

Explanation: A Integrated Management Module license that allows access to the specified feature was added to the system.

May also be shown as 4000006000000000 or 0x4000006000000000

Severity: Info

Alert Category: none

Serviceable: No

CIM Information: Prefix: IMM and ID: 0096

SNMP Trap ID:

Automatically notify Support: No

User response: Information only; no action is required.

40000061-00000000 License key for [arg1] removed by user [arg2].

Explanation: The specified user has removed an Integrated Management Module license. Access to the specified feature is no longer allowed.

May also be shown as 4000006100000000 or 0x4000006100000000

Severity: Info

Alert Category: none

Serviceable: No

CIM Information: Prefix: IMM and ID: 0097

SNMP Trap ID:

Automatically notify Support: No

User response: Information only; no action is required.

40000062-00000000 Global Login General Settings set by user [arg1]: AuthenticationMethod=[arg2], LockoutPeriod=[arg3], SessionTimeout=[arg4].

Explanation: A user changes the Global Login General Settings.

May also be shown as 4000006200000000 or 0x4000006200000000

Severity: Info

Alert Category: none

40000063-00000000 • 40000065-00000000

Serviceable: No

CIM Information: Prefix: IMM and ID: 0098

SNMP Trap ID:

Automatically notify Support: No

User response: Information only; no action is required.

40000063-00000000 Global Login Account Security set by user [arg1]: PasswordRequired=[arg2], PasswordExpirationPeriod=[arg3], MinimumPasswordReuseCycle=[arg4], MinimumPasswordLength=[arg5], MinimumPasswordChangeInterval=[arg6], MaxmumLoginFailures=[arg7], LockoutAfterMaxFailures=[arg8], MinimumDifferentCharacters=[arg9], DefaultIDExpired=[arg10], ChangePasswordFirstAccess=[arg11].

Explanation: A user changes the Global Login Account Security Settings to Legacy.

May also be shown as 4000006300000000 or 0x4000006300000000

Severity: Info

Alert Category: none

Serviceable: No

CIM Information: Prefix: IMM and ID: 0099

SNMP Trap ID:

Automatically notify Support: No

User response: Information only; no action is required.

40000064-00000000 User [arg1] created.

Explanation: A user account has been created.

May also be shown as 4000006400000000 or 0x4000006400000000

Severity: Info

Alert Category: none

Serviceable: No

CIM Information: Prefix: IMM and ID: 0100

SNMP Trap ID:

Automatically notify Support: No

User response: Information only; no action is required.

40000065-00000000 User [arg1] removed.

Explanation: A user account has been removed.

May also be shown as 4000006500000000 or 0x4000006500000000

Severity: Info

Alert Category: none

Serviceable: No

CIM Information: Prefix: IMM and ID: 0101

SNMP Trap ID:

Automatically notify Support: No

User response: Information only; no action is required.

40000066-00000000 User [arg1] password modified.

Explanation: The password for the specified user account has been changed.

May also be shown as 4000006600000000 or 0x4000006600000000

Severity: Info

Alert Category: none

Serviceable: No

CIM Information: Prefix: IMM and ID: 0102

SNMP Trap ID:

Automatically notify Support: No

User response: Information only; no action is required.

40000067-00000000 User [arg1] role set to [arg2].

Explanation: A user account role assigned.

May also be shown as 4000006700000000 or 0x4000006700000000

Severity: Info

Alert Category: none

Serviceable: No

CIM Information: Prefix: IMM and ID: 0103

SNMP Trap ID:

Automatically notify Support: No

User response: Information only; no action is required.

40000068-00000000 User [arg1] custom privileges set: [arg2].

Explanation: User account privileges assigned.

May also be shown as 4000006800000000 or 0x4000006800000000

Severity: Info

Alert Category: none

Serviceable: No

CIM Information: Prefix: IMM and ID: 0104

SNMP Trap ID:

Automatically notify Support: No

User response: Information only; no action is required.

40000069-00000000 User [arg1] for SNMPv3 set: AuthenticationProtocol=[arg2], PrivacyProtocol=[arg3], AccessType=[arg4], HostforTraps=[arg5].

Explanation: User account SNMPv3 settings changed.

May also be shown as 4000006900000000 or 0x4000006900000000

Severity: Info

Alert Category: none

Serviceable: No

CIM Information: Prefix: IMM and ID: 0105

4000006a-00000000 • 4000006d-00000000

SNMP Trap ID:

Automatically notify Support: No

User response: Information only; no action is required.

4000006a-00000000 SSH Client key added for user [arg1].

Explanation: User locally defined an SSH Client key.

May also be shown as 4000006a00000000 or 0x4000006a00000000

Severity: Info

Alert Category: none

Serviceable: No

CIM Information: Prefix: IMM and ID: 0106

SNMP Trap ID:

Automatically notify Support: No

User response: Information only; no action is required.

4000006b-00000000 SSH Client key imported for user [arg1] from [arg2].

Explanation: User imported an SSH Client key.

May also be shown as 4000006b00000000 or 0x4000006b00000000

Severity: Info

Alert Category: none

Serviceable: No

CIM Information: Prefix: IMM and ID: 0107

SNMP Trap ID:

Automatically notify Support: No

User response: Information only; no action is required.

4000006c-00000000 SSH Client key removed from user [arg1].

Explanation: User removed an SSH Client key.

May also be shown as 4000006c00000000 or 0x4000006c00000000

Severity: Info

Alert Category: none

Serviceable: No

CIM Information: Prefix: IMM and ID: 0108

SNMP Trap ID:

Automatically notify Support: No

User response: Information only; no action is required.

4000006d-00000000 Management Controller [arg1]: Configuration saved to a file by user [arg2].

Explanation: A user saved a Management Controller configuration to a file.

May also be shown as 4000006d00000000 or 0x4000006d00000000

Severity: Info

Alert Category: none

Serviceable: No

CIM Information: Prefix: IMM and ID: 0109

SNMP Trap ID:

Automatically notify Support: No

User response: Information only; no action is required.

**4000006e-00000000 Alert Configuration Global Event Notification set by user [arg1]: RetryLimit=[arg2],
RetryInterval=[arg3], EntryInterval=[arg4].**

Explanation: A user changed the Global Event Notification settings.

May also be shown as 4000006e00000000 or 0x4000006e00000000

Severity: Info

Alert Category: none

Serviceable: No

CIM Information: Prefix: IMM and ID: 0110

SNMP Trap ID:

Automatically notify Support: No

User response: Information only; no action is required.

**4000006f-00000000 Alert Recipient Number [arg1] updated: Name=[arg2], DeliveryMethod=[arg3],
Address=[arg4], IncludeLog=[arg5], Enabled=[arg6], EnabledAlerts=[arg7], AllowedFilters=[arg8].**

Explanation: The specified user has changed or reset the remote alert recipient configuration.

May also be shown as 4000006f00000000 or 0x4000006f00000000

Severity: Info

Alert Category: none

Serviceable: No

CIM Information: Prefix: IMM and ID: 0111

SNMP Trap ID:

Automatically notify Support: No

User response: Information only; no action is required.

40000070-00000000 SNMP Traps enabled by user [arg1]: EnabledAlerts=[arg2], AllowedFilters=[arg3] .

Explanation: The specified user has enabled Simple Network Management Protocol (SNMP) traps.

May also be shown as 4000007000000000 or 0x4000007000000000

Severity: Info

Alert Category: none

Serviceable: No

CIM Information: Prefix: IMM and ID: 0112

SNMP Trap ID:

Automatically notify Support: No

User response: Information only; no action is required.

40000071-00000000 • 40000074-00000000

40000071-00000000 The power cap value changed from [arg1] watts to [arg2] watts by user [arg3].

Explanation: The power capping level has been changed.

May also be shown as 4000007100000000 or 0x4000007100000000

Severity: Info

Alert Category: none

Serviceable: No

CIM Information: Prefix: IMM and ID: 0113

SNMP Trap ID:

Automatically notify Support: No

User response: Information only; no action is required.

40000072-00000000 The minimum power cap value changed from [arg1] watts to [arg2] watts.

Explanation: The minimum power cap value has been changed.

May also be shown as 4000007200000000 or 0x4000007200000000

Severity: Info

Alert Category: none

Serviceable: No

CIM Information: Prefix: IMM and ID: 0114

SNMP Trap ID:

Automatically notify Support: No

User response: Information only; no action is required.

40000073-00000000 The maximum power cap value changed from [arg1] watts to [arg2] watts.

Explanation: The maximum power cap value has been changed.

May also be shown as 4000007300000000 or 0x4000007300000000

Severity: Info

Alert Category: none

Serviceable: No

CIM Information: Prefix: IMM and ID: 0115

SNMP Trap ID:

Automatically notify Support: No

User response: Information only; no action is required.

40000074-00000000 The soft minimum power cap value changed from [arg1] watts to [arg2] watts.

Explanation: The soft minimum power cap value has been changed.

May also be shown as 4000007400000000 or 0x4000007400000000

Severity: Info

Alert Category: none

Serviceable: No

CIM Information: Prefix: IMM and ID: 0116

SNMP Trap ID:

Automatically notify Support: No

User response: Information only; no action is required.

40000075-00000000 The measured power value exceeded the power cap value.

Explanation: The measured power value has exceeded the power cap value.

May also be shown as 4000007500000000 or 0x4000007500000000

Severity: Warning

Alert Category: Warning - Power

Serviceable: No

CIM Information: Prefix: IMM and ID: 0117

SNMP Trap ID: 164

Automatically notify Support: No

User response:

- Make sure IMM firmware is at the latest level.
- Raise the system power cap value or adjust the system workload to be less than the currently applied power cap.

Related Links:

- “Updating firmware and device drivers” on page 25
 - IBM Flex System and IBM PureFlex Firmware Updates Best Practices
-

40000076-00000000 The new minimum power cap value exceeded the power cap value.

Explanation: The new minimum power cap value has exceeded the power cap value.

May also be shown as 4000007600000000 or 0x4000007600000000

Severity: Warning

Alert Category: Warning - Power

Serviceable: No

CIM Information: Prefix: IMM and ID: 0118

SNMP Trap ID: 164

Automatically notify Support: No

User response: User may need to adjust the power cap value to be greater or equal to the minimum power cap.

40000077-00000000 Power capping was activated by user [arg1].

Explanation: The power capping control has been enabled.

May also be shown as 4000007700000000 or 0x4000007700000000

Severity: Info

Alert Category: none

Serviceable: No

CIM Information: Prefix: IMM and ID: 0119

SNMP Trap ID:

Automatically notify Support: No

User response: Information only; no action is required.

40000078-00000000 • 4000007b-00000000

40000078-00000000 Power capping was deactivated by user [arg1].

Explanation: The power capping control has been disabled.

May also be shown as 4000007800000000 or 0x4000007800000000

Severity: Info

Alert Category: none

Serviceable: No

CIM Information: Prefix: IMM and ID: 0120

SNMP Trap ID:

Automatically notify Support: No

User response: Information only; no action is required.

40000079-00000000 Static Power Savings mode has been turned on by user [arg1].

Explanation: Static Power Savings mode turned on by user.

May also be shown as 4000007900000000 or 0x4000007900000000

Severity: Info

Alert Category: none

Serviceable: No

CIM Information: Prefix: IMM and ID: 0121

SNMP Trap ID:

Automatically notify Support: No

User response: Information only; no action is required.

4000007a-00000000 Static Power Savings mode has been turned off by user [arg1].

Explanation: Static Power Savings mode turned off by user.

May also be shown as 4000007a00000000 or 0x4000007a00000000

Severity: Info

Alert Category: none

Serviceable: No

CIM Information: Prefix: IMM and ID: 0122

SNMP Trap ID:

Automatically notify Support: No

User response: Information only; no action is required.

4000007b-00000000 Dynamic Power Savings mode has been turned on by user [arg1].

Explanation: Dynamic Power Savings mode turned on by user.

May also be shown as 4000007b00000000 or 0x4000007b00000000

Severity: Info

Alert Category: none

Serviceable: No

CIM Information: Prefix: IMM and ID: 0123

SNMP Trap ID:

Automatically notify Support: No

User response: Information only; no action is required.

4000007c-00000000 Dynamic Power Savings mode has been turned off by user [arg1].

Explanation: Dynamic Power Savings mode turned off by user.

May also be shown as 4000007c00000000 or 0x4000007c00000000

Severity: Info

Alert Category: none

Serviceable: No

CIM Information: Prefix: IMM and ID: 0124

SNMP Trap ID:

Automatically notify Support: No

User response: Information only; no action is required.

4000007d-00000000 Power cap and external throttling occurred.

Explanation: Power cap and external throttling has occurred.

May also be shown as 4000007d00000000 or 0x4000007d00000000

Severity: Info

Alert Category: none

Serviceable: No

CIM Information: Prefix: IMM and ID: 0125

SNMP Trap ID:

Automatically notify Support: No

User response: Information only; no action is required.

4000007e-00000000 External throttling occurred .

Explanation: External throttling has occurred.

May also be shown as 4000007e00000000 or 0x4000007e00000000

Severity: Info

Alert Category: none

Serviceable: No

CIM Information: Prefix: IMM and ID: 0126

SNMP Trap ID:

Automatically notify Support: No

User response: Information only; no action is required.

4000007f-00000000 Power cap throttling occurred.

Explanation: Power cap throttling has occurred.

May also be shown as 4000007f00000000 or 0x4000007f00000000

Severity: Info

40000080-00000000 • 40000082-00000000

Alert Category: none

Serviceable: No

CIM Information: Prefix: IMM and ID: 0127

SNMP Trap ID:

Automatically notify Support: No

User response: Information only; no action is required.

40000080-00000000 Remote Control session started by user [arg1] in [arg2] mode.

Explanation: Remote Control session started.

May also be shown as 4000008000000000 or 0x4000008000000000

Severity: Info

Alert Category: none

Serviceable: No

CIM Information: Prefix: IMM and ID: 0128

SNMP Trap ID:

Automatically notify Support: No

User response: Information only; no action is required.

40000081-00000000 PXE boot requested by user [arg1].

Explanation: PXE boot requested.

May also be shown as 4000008100000000 or 0x4000008100000000

Severity: Info

Alert Category: none

Serviceable: No

CIM Information: Prefix: IMM and ID: 0129

SNMP Trap ID:

Automatically notify Support: No

User response: Information only; no action is required.

40000082-00000000 The measured power value has returned below the power cap value.

Explanation: The measured power value has returned below the power cap value.

May also be shown as 4000008200000000 or 0x4000008200000000

Severity: Info

Alert Category: Warning - Power

Serviceable: No

CIM Information: Prefix: IMM and ID: 0130

SNMP Trap ID: 164

Automatically notify Support: No

User response: Information only; no action is required.

40000083-00000000 The new minimum power cap value has returned below the power cap value.

Explanation: The new minimum power cap value has returned below the power cap value.

May also be shown as 4000008300000000 or 0x4000008300000000

Severity: Info

Alert Category: Warning - Power

Serviceable: No

CIM Information: Prefix: IMM and ID: 0131

SNMP Trap ID: 164

Automatically notify Support: No

User response: Information only; no action is required.

40000084-00000000 IMM firmware mismatch between nodes [arg1] and [arg2]. Please attempt to flash the IMM firmware to the same level on all nodes.

Explanation: A mismatch of IMM firmware between nodes has been detected.

May also be shown as 4000008400000000 or 0x4000008400000000

Severity: Error

Alert Category: System - Other

Serviceable: No

CIM Information: Prefix: IMM and ID: 0132

SNMP Trap ID: 22

Automatically notify Support: No

User response: Attempt to update the IMM firmware to the same level on all nodes.

Related Links:

- “Updating firmware and device drivers” on page 25
- IBM Flex System and IBM PureFlex Firmware Updates Best Practices

40000085-00000000 FPGA firmware mismatch between nodes [arg1] and [arg2]. Please attempt to flash the FPGA firmware to the same level on all nodes.

Explanation: A mismatch of FPGA firmware between nodes has been detected.

May also be shown as 4000008500000000 or 0x4000008500000000

Severity: Error

Alert Category: System - Other

Serviceable: No

CIM Information: Prefix: IMM and ID: 0133

SNMP Trap ID: 22

Automatically notify Support: No

User response: Attempt to update the FPGA firmware to the same level on all nodes.

Related Links:

- “Updating firmware and device drivers” on page 25
- IBM Flex System and IBM PureFlex Firmware Updates Best Practices

40000086-00000000 • 40000089-00000000

40000086-00000000 Test Call Home Generated by user [arg1].

Explanation: The specified user has generated a test automatic support notification.

May also be shown as 4000008600000000 or 0x4000008600000000

Severity: Info

Alert Category: none

Serviceable: No

CIM Information: Prefix: IMM and ID: 0134

SNMP Trap ID:

Automatically notify Support: Yes

User response: Information only; no action is required.

40000087-00000000 Manual Call Home by user [arg1]: [arg2].

Explanation: The specified user has submitted a service request.

May also be shown as 4000008700000000 or 0x4000008700000000

Severity: Info

Alert Category: none

Serviceable: No

CIM Information: Prefix: IMM and ID: 0135

SNMP Trap ID:

Automatically notify Support: Yes

User response: IBM Support will address the problem.

40000088-00000000 Management Controller [arg1]: Configuration restoration from a file by user [arg2] completed.

Explanation: The specified user has successfully restored the configuration of the specified management controller from a file.

May also be shown as 4000008800000000 or 0x4000008800000000

Severity: Info

Alert Category: none

Serviceable: No

CIM Information: Prefix: IMM and ID: 0136

SNMP Trap ID:

Automatically notify Support: No

User response: Information only; no action is required.

40000089-00000000 Management Controller [arg1]: Configuration restoration from a file by user [arg2] failed to complete.

Explanation: Restoration of the configuration of the specified management controller from a file by the specified user has not been completed.

May also be shown as 4000008900000000 or 0x4000008900000000

Severity: Error

Alert Category: System - Other

Serviceable: No

CIM Information: Prefix: IMM and ID: 0137

SNMP Trap ID: 22

Automatically notify Support: No

User response:

1. Turn off the server and disconnect it from the power source. You must disconnect the server from ac power to reset the IMM.
2. After 45 seconds, reconnect the server to the power source and turn on the server.
3. Retry the operation

4000008a-00000000 Management Controller [arg1]: Configuration restoration from a file by user [arg2] failed to start.

Explanation: Restoration of the configuration of the specified management controller from a file by the specified user has failed to start.

May also be shown as 4000008a00000000 or 0x4000008a00000000

Severity: Error

Alert Category: System - Other

Serviceable: No

CIM Information: Prefix: IMM and ID: 0138

SNMP Trap ID: 22

Automatically notify Support: No

User response:

1. Turn off the server and disconnect it from the power source. You must disconnect the server from ac power to reset the IMM.
2. After 45 seconds, reconnect the server to the power source and turn on the server.
3. Retry the operation

4000008b-00000000 One or more of the Storage Management IP addresses has changed.

Explanation: One or more of the Storage Management IP addresses has changed.

May also be shown as 4000008b00000000 or 0x4000008b00000000

Severity: Info

Alert Category: System - IMM Network event

Serviceable: No

CIM Information: Prefix: IMM and ID: 0139

SNMP Trap ID: 37

Automatically notify Support: No

User response: Information only; no action is required.

4000008c-00000000 Security: Userid: [arg1] had [arg2] login failures from a CIM client at IP address [arg3].

Explanation: A user has exceeded the maximum allowed number of unsuccessful login attempts from a CIM client and has been prevented from logging in for the lockout period.

May also be shown as 4000008c00000000 or 0x4000008c00000000

Severity: Warning

Alert Category: System - Remote Login

Serviceable: No

4000008d-00000000 • 4000008f-00000000

CIM Information: Prefix: IMM and ID: 0140

SNMP Trap ID: 30

Automatically notify Support: No

User response: Complete the following steps until the problem is solved:

1. Make sure that the correct login ID and password are being used.
2. Have the system administrator reset the login ID or password.

4000008d-00000000 Remote access attempt failed. Invalid userid or password received. Userid is [arg1] from a CIM client at IP address [arg2].

Explanation: A user has attempted to log in from a CIM client by using an invalid login ID or password.

May also be shown as 4000008d00000000 or 0x4000008d00000000

Severity: Info

Alert Category: System - Remote Login

Serviceable: No

CIM Information: Prefix: IMM and ID: 0141

SNMP Trap ID: 30

Automatically notify Support: No

User response: Make sure that the correct login ID and password are being used.

4000008e-00000000 Device [arg1] VPD is not valid.

Explanation: The VPD for a device is invalid

May also be shown as 4000008e00000000 or 0x4000008e00000000

Severity: Warning

Alert Category: System - Other

Serviceable: No

CIM Information: Prefix: IMM and ID: 0142

SNMP Trap ID: 22

Automatically notify Support: No

User response: The device with invalid VPD data should be replaced.

4000008f-00000000 The bare metal connection process has been started.

Explanation: Bare Metal Connection process has been started

May also be shown as 4000008f00000000 or 0x4000008f00000000

Severity: Info

Alert Category: System - Other

Serviceable: No

CIM Information: Prefix: IMM and ID: 0143

SNMP Trap ID: 22

Automatically notify Support: No

User response: Information only; no action is required.

40000090-00000000 The bare metal update application reports a status of [arg1].

Explanation: Bare Metal Update Application Status

May also be shown as 4000009000000000 or 0x4000009000000000

Severity: Info

Alert Category: System - Other

Serviceable: No

CIM Information: Prefix: IMM and ID: 0144

SNMP Trap ID: 22

Automatically notify Support: No

User response: Information only; no action is required.

40000091-00000000 User [arg1] has terminated an active console session.

Explanation: A user has terminated an active console session.

May also be shown as 4000009100000000 or 0x4000009100000000

Severity: Info

Alert Category: none

Serviceable: No

CIM Information: Prefix: IMM and ID: 0145

SNMP Trap ID:

Automatically notify Support: No

User response: Information only; no action is required.

40000092-00000000 TKLM servers set by user [arg1]: TKLMServer1=[arg2] Port=[arg3], TKLMServer2=[arg4] Port=[arg5], TKLMServer3=[arg6] Port=[arg7], TKLMServer4=[arg8] Port=[arg9].

Explanation: A user configured the TKLM servers.

May also be shown as 4000009200000000 or 0x4000009200000000

Severity: Info

Alert Category: none

Serviceable: No

CIM Information: Prefix: IMM and ID: 0146

SNMP Trap ID:

Automatically notify Support: No

User response: Information only; no action is required.

40000093-00000000 TKLM servers device group set by user [arg1]: TKLMServerDeviceGroup=[arg2] .

Explanation: A user configured the TKLM device group.

May also be shown as 4000009300000000 or 0x4000009300000000

Severity: Info

Alert Category: none

Serviceable: No

CIM Information: Prefix: IMM and ID: 0147

40000094-00000000 • 40000096-00000000

SNMP Trap ID:

Automatically notify Support: No

User response: Information only; no action is required.

40000094-00000000 User [arg1] has generated a new encryption key pair and installed a self-signed certificate for the TKLM client.

Explanation: User generated a new encryption key pair and installed a self-signed certificate for the TKLM client.

May also be shown as 4000009400000000 or 0x4000009400000000

Severity: Info

Alert Category: none

Serviceable: No

CIM Information: Prefix: IMM and ID: 0148

SNMP Trap ID:

Automatically notify Support: No

User response: Information only; no action is required.

40000095-00000000 User [arg1] has generated a new encryption key and certificate signing request for the TKLM client.

Explanation: User generated a new encryption key and certificate signing request for the TKLM client.

May also be shown as 4000009500000000 or 0x4000009500000000

Severity: Info

Alert Category: none

Serviceable: No

CIM Information: Prefix: IMM and ID: 0149

SNMP Trap ID:

Automatically notify Support: No

User response: Information only; no action is required.

40000096-00000000 User [arg1] has imported a signed certificate for the TKLM client from [arg2].

Explanation: User imported a signed certificate for the TKLM client.

May also be shown as 4000009600000000 or 0x4000009600000000

Severity: Info

Alert Category: none

Serviceable: No

CIM Information: Prefix: IMM and ID: 0150

SNMP Trap ID:

Automatically notify Support: No

User response: Information only; no action is required.

40000097-00000000 User [arg1] has imported a server certificate for the TKLM server.

Explanation: User imported a server certificate for the TKLM Server.

May also be shown as 4000009700000000 or 0x4000009700000000

Severity: Info

Alert Category: none

Serviceable: No

CIM Information: Prefix: IMM and ID: 0151

SNMP Trap ID:

Automatically notify Support: No

User response: Information only; no action is required.

40000098-00000000 The UEFI Definitions have been changed.

Explanation: UEFI Definitions change has been detected.

May also be shown as 4000009800000000 or 0x4000009800000000

Severity: Info

Alert Category: none

Serviceable: No

CIM Information: Prefix: IMM and ID: 0152

SNMP Trap ID:

Automatically notify Support: No

User response: Information only; no action is required.

40000099-00000000 Security: Userid: [arg1] had [arg2] login failures from IPMI client at IP address [arg3].

Explanation: A user was not able to log in to a Management Controller from IPMI

May also be shown as 4000009900000000 or 0x4000009900000000

Severity: Info

Alert Category: System - Remote Login

Serviceable: No

CIM Information: Prefix: IMM and ID: 0153

SNMP Trap ID: 30

Automatically notify Support: No

User response: Information only; no action is required.

4000009a-00000000 Security: Userid: [arg1] had [arg2] login failures from SNMP client at IP address [arg3].

Explanation: A user was not able to access a Management Controller from SNMP.

May also be shown as 4000009a00000000 or 0x4000009a00000000

Severity: Info

Alert Category: System - Remote Login

Serviceable: No

CIM Information: Prefix: IMM and ID: 0154

4000009b-00000000 • 4000009e-00000000

SNMP Trap ID: 30

Automatically notify Support: No

User response: Information only; no action is required.

4000009b-00000000 Security: Userid: [arg1] had [arg2] login failures from IPMI serial client.

Explanation: A user was not able to log in to a Management Controller from an IPMI serial client.

May also be shown as 4000009b00000000 or 0x4000009b00000000

Severity: Info

Alert Category: System - Remote Login

Serviceable: No

CIM Information: Prefix: IMM and **ID:** 0155

SNMP Trap ID: 30

Automatically notify Support: No

User response: Information only; no action is required.

4000009c-00000000 Remote Login Successful. Login ID: [arg1] from [arg2] serial interface.

Explanation: A user successfully logged in to a Management Controller.

May also be shown as 4000009c00000000 or 0x4000009c00000000

Severity: Info

Alert Category: System - Remote Login

Serviceable: No

CIM Information: Prefix: IMM and **ID:** 0156

SNMP Trap ID: 30

Automatically notify Support: No

User response: Information only; no action is required.

4000009d-00000000 Login ID: [arg1] from [arg2] at IP address [arg3] has logged off.

Explanation: A user logged off of a Management Controller.

May also be shown as 4000009d00000000 or 0x4000009d00000000

Severity: Info

Alert Category: System - Remote Login

Serviceable: No

CIM Information: Prefix: IMM and **ID:** 0157

SNMP Trap ID: 30

Automatically notify Support: No

User response: Information only; no action is required.

4000009e-00000000 Login ID: [arg1] from [arg2] at IP address [arg3] has been logged off.

Explanation: A user has been logged off of a Management Controller.

May also be shown as 4000009e00000000 or 0x4000009e00000000

Severity: Info

Alert Category: System - Remote Login

Serviceable: No

CIM Information: Prefix: IMM and ID: 0158

SNMP Trap ID: 30

Automatically notify Support: No

User response: Information only; no action is required.

4000009f-00000000 User [arg1] has initiated a TKLM Server Connection Test to check connectivity to server [arg2].

Explanation: User initiated a TKLM Server Connection test.

May also be shown as 4000009f00000000 or 0x4000009f00000000

Severity: Info

Alert Category: none

Serviceable: No

CIM Information: Prefix: IMM and ID: 0159

SNMP Trap ID:

Automatically notify Support: No

User response: Information only; no action is required.

400000a0-00000000 User [arg1] has initiated an SMTP Server Connection Test.

Explanation: User initiated an SMTP Server Connection test.

May also be shown as 400000a000000000 or 0x400000a000000000

Severity: Info

Alert Category: none

Serviceable: No

CIM Information: Prefix: IMM and ID: 0160

SNMP Trap ID:

Automatically notify Support: No

User response: Information only; no action is required.

400000a1-00000000 UEFI Reported: [arg1].

Explanation: UEFI audit event logged.

May also be shown as 400000a100000000 or 0x400000a100000000

Severity: Info

Alert Category: none

Serviceable: No

CIM Information: Prefix: IMM and ID: 0161

SNMP Trap ID:

Automatically notify Support: No

User response: Information only; no action is required.

400000a2-00000000 • 400000a5-00000000

400000a2-00000000 User [arg1] has [arg2] file [arg3] from [arg4].

Explanation: User has mounted/unmounted file from URL or server.

May also be shown as 400000a200000000 or 0x400000a200000000

Severity: Info

Alert Category: System - Other

Serviceable: No

CIM Information: Prefix: IMM and ID: 0162

SNMP Trap ID: 22

Automatically notify Support: No

User response: Information only; no action is required.

400000a3-00000000 User [arg1] has set the SMTP Server reverse-path to [arg2].

Explanation: User set SMTP Server reverse-path address.

May also be shown as 400000a300000000 or 0x400000a300000000

Severity: Info

Alert Category: System - Other

Serviceable: No

CIM Information: Prefix: IMM and ID: 0163

SNMP Trap ID: 22

Automatically notify Support: No

User response: Information only; no action is required.

400000a4-00000000 User [arg1] has removed a certificate.

Explanation: User removed certificate.

May also be shown as 400000a400000000 or 0x400000a400000000

Severity: Info

Alert Category: System - Other

Serviceable: No

CIM Information: Prefix: IMM and ID: 0164

SNMP Trap ID: 22

Automatically notify Support: No

User response: Information only; no action is required.

400000a5-00000000 A certificate has been revoked .

Explanation: A certificate has been revoked.

May also be shown as 400000a500000000 or 0x400000a500000000

Severity: Info

Alert Category: System - Other

Serviceable: No

CIM Information: Prefix: IMM and ID: 0165

SNMP Trap ID: 22

Automatically notify Support: No

User response: Install a new certificate.

400000a6-00000000 The server was restarted for an unknown reason.

Explanation: The server was restarted for an unknown reason.

May also be shown as 400000a600000000 or 0x400000a600000000

Severity: Info

Alert Category: System - Other

Serviceable: No

CIM Information: Prefix: IMM and ID: 0166

SNMP Trap ID: 22

Automatically notify Support: No

User response: Information only; no action is required.

400000a7-00000000 The server is restarted by chassis control command.

Explanation: Server is restarted by chassis control command.

May also be shown as 400000a700000000 or 0x400000a700000000

Severity: Info

Alert Category: System - Other

Serviceable: No

CIM Information: Prefix: IMM and ID: 0167

SNMP Trap ID: 22

Automatically notify Support: No

User response: Information only; no action is required.

400000a8-00000000 The server was reset via pushbutton.

Explanation: Server was reset via pushbutton.

May also be shown as 400000a800000000 or 0x400000a800000000

Severity: Info

Alert Category: System - Other

Serviceable: No

CIM Information: Prefix: IMM and ID: 0168

SNMP Trap ID: 22

Automatically notify Support: No

User response: Information only; no action is required.

400000a9-00000000 The server was powered-up via power pushbutton.

Explanation: Server was powered-up via power pushbutton.

May also be shown as 400000a900000000 or 0x400000a900000000

Severity: Info

400000aa-00000000 • 400000ac-00000000

Alert Category: System - Other

Serviceable: No

CIM Information: Prefix: IMM and **ID:** 0169

SNMP Trap ID: 22

Automatically notify Support: No

User response: Information only; no action is required.

400000aa-00000000 The server was restarted when the watchdog expired..

Explanation: Server was restarted when the watchdog expired.

May also be shown as 400000aa00000000 or 0x400000aa00000000

Severity: Info

Alert Category: System - Other

Serviceable: No

CIM Information: Prefix: IMM and **ID:** 0170

SNMP Trap ID: 22

Automatically notify Support: No

User response: Information only; no action is required.

400000ab-00000000 The server was restarted for OEM reason.

Explanation: Server was restarted for OEM reason.

May also be shown as 400000ab00000000 or 0x400000ab00000000

Severity: Info

Alert Category: System - Other

Serviceable: No

CIM Information: Prefix: IMM and **ID:** 0171

SNMP Trap ID: 22

Automatically notify Support: No

User response: Information only; no action is required.

400000ac-00000000 The server was automatically powered on because the power restore policy is set to always restore..

Explanation: Server was automatically powered on because the power restore policy is set to always restore.

May also be shown as 400000ac00000000 or 0x400000ac00000000

Severity: Info

Alert Category: System - Other

Serviceable: No

CIM Information: Prefix: IMM and **ID:** 0172

SNMP Trap ID: 22

Automatically notify Support: No

User response: Information only; no action is required.

400000ad-00000000 The server was automatically powered on because the power restore policy is set to restore previous power state..

Explanation: Server was automatically powered on because the power restore policy is set to restore previous power state.

May also be shown as 400000ad00000000 or 0x400000ad00000000

Severity: Info

Alert Category: System - Other

Serviceable: No

CIM Information: Prefix: IMM and ID: 0173

SNMP Trap ID: 22

Automatically notify Support: No

User response: Information only; no action is required.

400000ae-00000000 The server was reset via Platform Event Filter.

Explanation: Server was reset via Platform Event Filter.

May also be shown as 400000ae00000000 or 0x400000ae00000000

Severity: Info

Alert Category: System - Other

Serviceable: No

CIM Information: Prefix: IMM and ID: 0174

SNMP Trap ID: 22

Automatically notify Support: No

User response: Information only; no action is required.

400000af-00000000 The server was power-cycled via Platform Event Filter.

Explanation: Server was power-cycled via Platform Event Filter.

May also be shown as 400000af00000000 or 0x400000af00000000

Severity: Info

Alert Category: System - Other

Serviceable: No

CIM Information: Prefix: IMM and ID: 0175

SNMP Trap ID: 22

Automatically notify Support: No

User response: Information only; no action is required.

400000b0-00000000 The server was soft reset.

Explanation: Server was soft reset.

May also be shown as 400000b000000000 or 0x400000b000000000

Severity: Info

Alert Category: System - Other

Serviceable: No

400000b1-00000000 • 400000b3-00000000

CIM Information: Prefix: IMM and ID: 0176

SNMP Trap ID: 22

Automatically notify Support: No

User response: Information only; no action is required.

400000b1-00000000 The server was powered up via Real Time Clock (scheduled power on).

Explanation: Server was powered up via Real Time Clock (scheduled power on).

May also be shown as 400000b100000000 or 0x400000b100000000

Severity: Info

Alert Category: System - Other

Serviceable: No

CIM Information: Prefix: IMM and ID: 0177

SNMP Trap ID: 22

Automatically notify Support: No

User response: Information only; no action is required.

400000b2-00000000 The server was powered off for an unknown reason.

Explanation: Server was powered off for an unknown reason.

May also be shown as 400000b200000000 or 0x400000b200000000

Severity: Info

Alert Category: System - Other

Serviceable: No

CIM Information: Prefix: IMM and ID: 0178

SNMP Trap ID: 22

Automatically notify Support: No

User response: Information only; no action is required.

400000b3-00000000 The server was powered off by chassis control command.

Explanation: Server was powered off by chassis control command.

May also be shown as 400000b300000000 or 0x400000b300000000

Severity: Info

Alert Category: System - Other

Serviceable: No

CIM Information: Prefix: IMM and ID: 0179

SNMP Trap ID: 22

Automatically notify Support: No

User response: Information only; no action is required.

400000b4-00000000 The server was powered off via pushbutton.

Explanation: Server was powered off via pushbutton.

May also be shown as 400000b400000000 or 0x400000b400000000

Severity: Info

Alert Category: System - Other

Serviceable: No

CIM Information: Prefix: IMM and ID: 0180

SNMP Trap ID: 22

Automatically notify Support: No

User response: Information only; no action is required.

400000b5-00000000 The server was powered off when the watchdog expired.

Explanation: Server was powered off when the watchdog expired.

May also be shown as 400000b500000000 or 0x400000b500000000

Severity: Info

Alert Category: System - Other

Serviceable: No

CIM Information: Prefix: IMM and ID: 0181

SNMP Trap ID: 22

Automatically notify Support: No

User response: Information only; no action is required.

400000b6-00000000 The server stayed powered off because the power restore policy is set to always restore..

Explanation: Server stayed powered off because the power restore policy is set to always restore.

May also be shown as 400000b600000000 or 0x400000b600000000

Severity: Info

Alert Category: System - Other

Serviceable: No

CIM Information: Prefix: IMM and ID: 0182

SNMP Trap ID: 22

Automatically notify Support: No

User response: Information only; no action is required.

400000b7-00000000 The server stayed powered off because the power restore policy is set to restore previous power state..

Explanation: Server stayed powered off because the power restore policy is set to restore previous power state.

May also be shown as 400000b700000000 or 0x400000b700000000

Severity: Info

Alert Category: System - Other

Serviceable: No

CIM Information: Prefix: IMM and ID: 0183

400000b8-00000000 • 400000bb-00000000

SNMP Trap ID: 22

Automatically notify Support: No

User response: Information only; no action is required.

400000b8-00000000 The server was popwered off via Platform Event Filter.

Explanation: Server was power off via Platform Event Filter.

May also be shown as 400000b800000000 or 0x400000b800000000

Severity: Info

Alert Category: System - Other

Serviceable: No

CIM Information: Prefix: IMM and ID: 0184

SNMP Trap ID: 22

Automatically notify Support: No

User response: Information only; no action is required.

400000b9-00000000 The server was powered off via Real Time Clock (scheduled power off).

Explanation: Server was powered up via Real Time Clock (scheduled power off).

May also be shown as 400000b900000000 or 0x400000b900000000

Severity: Info

Alert Category: System - Other

Serviceable: No

CIM Information: Prefix: IMM and ID: 0185

SNMP Trap ID: 22

Automatically notify Support: No

User response: Information only; no action is required.

400000ba-00000000 Management Controller [arg1] reset was initiated due to Power-On-Reset.

Explanation: Management Controller reset was initiated due to Power-On-Reset.

May also be shown as 400000ba00000000 or 0x400000ba00000000

Severity: Info

Alert Category: System - Other

Serviceable: No

CIM Information: Prefix: IMM and ID: 0186

SNMP Trap ID: 22

Automatically notify Support: No

User response: Information only; no action is required.

400000bb-00000000 Management Controller [arg1] reset was initiated by PRESET.

Explanation: Management Controller reset was initiated by PRESET.

May also be shown as 400000bb00000000 or 0x400000bb00000000

Severity: Info

Alert Category: System - Other

Serviceable: No

CIM Information: Prefix: IMM and **ID:** 0187

SNMP Trap ID: 22

Automatically notify Support: No

User response: Information only; no action is required.

400000bc-00000000 Management Controller [arg1] reset was initiated by CMM.

Explanation: Management Controller reset was initiated by CMM.

May also be shown as 400000bc00000000 or 0x400000bc00000000

Severity: Info

Alert Category: System - Other

Serviceable: No

CIM Information: Prefix: IMM and **ID:** 0188

SNMP Trap ID: 22

Automatically notify Support: No

User response: Information only; no action is required.

400000bd-00000000 Management Controller [arg1] reset was initiated by IMM firmware.

Explanation: Management Controller reset was initiated by IMM firmware.

May also be shown as 400000bd00000000 or 0x400000bd00000000

Severity: Info

Alert Category: System - Other

Serviceable: No

CIM Information: Prefix: IMM and **ID:** 0189

SNMP Trap ID: 22

Automatically notify Support: No

User response: Information only; no action is required.

400000be-00000000 The [arg1] certificate is expired and has been removed.

Explanation: Expired certificate has been removed.

May also be shown as 400000be00000000 or 0x400000be00000000

Severity: Info

Alert Category: System - Other

Serviceable: No

CIM Information: Prefix: IMM and **ID:** 0190

SNMP Trap ID: 22

Automatically notify Support: No

User response: Install a new certificate.

400000bf-00000000 Operating System status has changed to [arg1].

Explanation: Operating System status change.

May also be shown as 400000bf00000000 or 0x400000bf00000000

Severity: Info

Alert Category: System - Other

Serviceable: No

CIM Information: Prefix: IMM and ID: 0191

SNMP Trap ID: 22

Automatically notify Support: No

User response: Information only; no action is required.

400000c0-00000000 Inventory data collecting and processing complete for [arg1].

Explanation: Inventory data collecting and processing complete.

May also be shown as 400000c000000000 or 0x400000c000000000

Severity: Info

Alert Category: System - Other

Serviceable: No

CIM Information: Prefix: IMM and ID: 0192

SNMP Trap ID: 22

Automatically notify Support: No

User response: Information only; no action is required.

80010202-0701ffff Numeric sensor [NumericSensorElementName] going low (lower critical) has asserted.

Explanation: A voltage has dropped below its specified threshold.

May also be shown as 800102020701ffff or 0x800102020701ffff

Severity: Error

Alert Category: Critical - Voltage

Serviceable: Yes

CIM Information: Prefix: PLAT and ID: 0480

SNMP Trap ID: 1

Automatically notify Support: Yes

User response: Use one of the following procedures:

- If the specified sensor is Planar 12V or Planar 3.3V or Planar 5V, replace the system board.
 - If the specified sensor is Planar 12V, check the Chassis Management Module or Flex System Manager event log for power-supply-related issues, and resolve those issues. If the problem remains, replace the system board.
-

80010202-2801ffff Numeric sensor [NumericSensorElementName] going low (lower critical) has asserted.

Explanation: The CMOS battery voltage has dropped below its specified threshold.

May also be shown as 800102022801ffff or 0x800102022801ffff

Severity: Error

Alert Category: Critical - Voltage

Serviceable: Yes

CIM Information: Prefix: PLAT and ID: 0480

SNMP Trap ID: 1

Automatically notify Support: Yes

User response: Replace the CMOS battery.

80010701-3701ffff Numeric sensor [NumericSensorElementName] going high (upper non-critical) has asserted.

Explanation: The inlet 1 temperature has exceeded its specified threshold. The compute node has attempted a soft shutdown.

May also be shown as 800107013701ffff or 0x800107013701ffff

Severity: Warning

Alert Category: Warning - Temperature

Serviceable: Yes

CIM Information: Prefix: PLAT and ID: 0490

SNMP Trap ID: 12

Automatically notify Support: No

User response: Complete the following steps until the problem is solved:

1. Check the Chassis Management Module or Flex System Manager event log for any fan- or cooling-related issues.
2. Make sure that the airflow at the front and rear of the chassis is not obstructed and that fillers are in place and correctly installed.
3. Make sure that the room temperature is within operating specifications.

80010701-3702ffff Numeric sensor [NumericSensorElementName] going high (upper non-critical) has asserted.

Explanation: The inlet 2 temperature has exceeded its specified threshold. The compute node has attempted a soft shutdown.

May also be shown as 800107013702ffff or 0x800107013702ffff

Severity: Warning

Alert Category: Warning - Temperature

Serviceable: Yes

CIM Information: Prefix: PLAT and ID: 0490

SNMP Trap ID: 12

Automatically notify Support: No

User response: Complete the following steps until the problem is solved:

1. Check the Chassis Management Module or Flex System Manager event log for any fan- or cooling-related issues.
2. Make sure that the airflow at the front and rear of the chassis is not obstructed and that fillers are in place and correctly installed.
3. Make sure that the room temperature is within operating specifications.

80010901-3701ffff Numeric sensor [NumericSensorElementName] going high (upper critical) has asserted.

Explanation: The inlet 1 temperature has exceeded its specified threshold. The compute node has initiated a hard shutdown.

May also be shown as 800109013701ffff or 0x800109013701ffff

Severity: Error

Alert Category: Critical - Temperature

80010901-3702ffff • 80010b01-3701ffff

Serviceable: Yes

CIM Information: Prefix: PLAT and ID: 0494

SNMP Trap ID: 0

Automatically notify Support: No

User response: Complete the following steps until the problem is solved:

1. Check the Chassis Management Module or Flex System Manager event log for any fan- or cooling-related issues.
2. Make sure that the airflow at the front and rear of the chassis is not obstructed and that fillers are in place and correctly installed.
3. Make sure that the room temperature is within operating specifications.

80010901-3702ffff Numeric sensor [NumericSensorElementName] going high (upper critical) has asserted.

Explanation: The inlet 2 temperature has exceeded its specified threshold. The compute node has initiated a hard shutdown.

May also be shown as 800109013702ffff or 0x800109013702ffff

Severity: Error

Alert Category: Critical - Temperature

Serviceable: Yes

CIM Information: Prefix: PLAT and ID: 0494

SNMP Trap ID: 0

Automatically notify Support: No

User response: Complete the following steps until the problem is solved:

1. Check the Chassis Management Module or Flex System Manager event log for any fan- or cooling-related issues.
2. Make sure that the airflow at the front and rear of the chassis is not obstructed and that fillers are in place and correctly installed.
3. Make sure that the room temperature is within operating specifications.

80010902-0701ffff Numeric sensor [NumericSensorElementName] going high (upper critical) has asserted.

Explanation: A voltage has exceeded its specified threshold.

May also be shown as 800109020701ffff or 0x800109020701ffff

Severity: Error

Alert Category: Critical - Voltage

Serviceable: Yes

CIM Information: Prefix: PLAT and ID: 0494

SNMP Trap ID: 1

Automatically notify Support: Yes

User response: Use one of the following procedures:

- If the specified sensor is Planar 12V or Planar 3.3V or Planar 5V, replace the system board.
- If the specified sensor is Planar 12V, check the Chassis Management Module or Flex System Manager event log for power-supply-related issues, and resolve those issues. If the problem remains, replace the system board.

80010b01-3701ffff Numeric sensor [NumericSensorElementName] going high (upper non-recoverable) has asserted.

Explanation: The inlet 1 temperature has exceeded its specified threshold. The compute node has initiated a hard shutdown.

May also be shown as 80010b013701ffff or 0x80010b013701ffff

Severity: Error

Alert Category: Critical - Temperature

Serviceable: Yes

CIM Information: Prefix: PLAT and ID: 0498

SNMP Trap ID: 0

Automatically notify Support: No

User response: Complete the following steps until the problem is solved:

1. Check the Chassis Management Module or Flex System Manager event log for any fan- or cooling-related issues.
2. Make sure that the airflow at the front and rear of the chassis is not obstructed and that fillers are in place and correctly installed.
3. Make sure that the room temperature is within operating specifications.

80010b01-3702ffff Numeric sensor [NumericSensorElementName] going high (upper non-recoverable)

Explanation: The inlet 2 temperature has risen above the specified threshold. The system has initiated a hard shutdown.

May also be shown as 80010b013702ffff or 0x80010b013702ffff

Severity: Error

Alert Category: Critical - Temperature

Serviceable: Yes

CIM Information: Prefix: PLAT and ID: 0498

SNMP Trap ID: 0

Automatically notify Support: No

User response: Complete the following steps:

1. Check the CMM or FSM event log for any fan or cooling related issues.
2. Make sure that the airflow at the front and rear of the chassis is not obstructed and that fillers are in place and correctly installed.
3. Make sure that the room temperature is within operating specifications.

80030006-2101ffff Sensor [SensorElementName] has deasserted.

Explanation: The secure UEFI update has been completed.

May also be shown as 800300062101ffff or 0x800300062101ffff

Severity: Info

Alert Category: System - Other

Serviceable: No

CIM Information: Prefix: PLAT and ID: 0509

SNMP Trap ID:

Automatically notify Support: No

User response: Information only; no action is required.

8003010c-2581ffff Sensor [SensorElementName] has asserted.

Explanation: IMM has reported a SMI Lane Failover.

May also be shown as 8003010c2581ffff or 0x8003010c2581ffff

Severity: Info

Alert Category: System - Other

Serviceable: No

CIM Information: Prefix: PLAT and ID: 0508

SNMP Trap ID:

Automatically notify Support: No

User response: This is a UEFI detected event. The UEFI diagnostic code for this event can be found in the logged IMM message text. Please refer to the UEFI diagnostic code in the "UEFI diagnostic code" section of the Info Center for the appropriate user response.

Related Links:

- "Finding the UEFI diagnostic code" on page 648
-

8003010d-2101ffff Sensor [SensorElementName] has asserted.

Explanation: IMM has lost communication with the eXFlash IPMI Proxy Service. The eXFlash DIMM device status is unknown.

May also be shown as 8003010d2101ffff or 0x8003010d2101ffff

Severity: Info

Alert Category: System - Other

Serviceable: No

CIM Information: Prefix: PLAT and ID: 0508

SNMP Trap ID:

Automatically notify Support: No

User response: Check the status of the IPMI Proxy Service within the OS to ensure proper operation. Please refer to the Installation and Service Guide for the eXFlash IPMI Proxy Service that came with your eXFlash DIMM.

Related Links:

- "Removing a flash DIMM" on page 730
 - "Installing a flash DIMM" on page 730
-

8003010d-2b81ffff Sensor [SensorElementName] has asserted.

Explanation: IMM has lost communication with the eXFlash IPMI Proxy Service. The eXFlash DIMM device status is unknown.

May also be shown as 8003010d2b81ffff or 0x8003010d2b81ffff

Severity: Info

Alert Category: System - Other

Serviceable: No

CIM Information: Prefix: PLAT and ID: 0508

SNMP Trap ID:

Automatically notify Support: No

User response: Check the status of the IPMI Proxy Service within the OS to ensure proper operation. Please refer to the Installation and Service Guide for the eXFlash IPMI Proxy Service that came with your eXFlash DIMM.

Related Links:

- “Removing a flash DIMM” on page 730
- “Installing a flash DIMM” on page 730

8003010e-2581ffff Sensor [SensorElementName] has asserted.**Explanation:** A sensor has been detected.

May also be shown as 8003010e2581ffff or 0x8003010e2581ffff

Severity: Info**Alert Category:** System - Other**Serviceable:** No**CIM Information:** Prefix: PLAT and ID: 0508**SNMP Trap ID:****Automatically notify Support:** No**User response:** This is a UEFI detected event. The UEFI diagnostic code for this event can be found in the logged IMM message text. Please refer to the UEFI diagnostic code in the "UEFI diagnostic code" section of the Information Center for the appropriate user response.**Related Links:**

- “Finding the UEFI diagnostic code” on page 648

8003010f-2101ffff Sensor [SensorElementName] has asserted.**Explanation:** IMM Firmware is Corrupted.

May also be shown as 8003010f2101ffff or 0x8003010f2101ffff

Severity: Info**Alert Category:** System - Other**Serviceable:** No**CIM Information:** Prefix: PLAT and ID: 0508**SNMP Trap ID:****Automatically notify Support:** No**User response:** Check that the primary build level is correct and upgrade primary to latest level.

80030112-0601ffff Sensor [SensorElementName] has asserted.**Explanation:** IMM has entered a system maintenance mode (SMM Mode, SMM Monitor) where the current power state is important.

May also be shown as 800301120601ffff or 0x800301120601ffff

Severity: Info**Alert Category:** System - Other**Serviceable:** No**CIM Information:** Prefix: PLAT and ID: 0508**SNMP Trap ID:****Automatically notify Support:** No**User response:** Do not change system power state at this time unless directed to do so by the maintenance action. [like firmware flashing]

8005010d-2b81ffff Sensor [SensorElementName] has indicated limit exceeded.

Explanation: A Sensor limit has been exceeded.

May also be shown as 8005010d2b81ffff or 0x8005010d2b81ffff

Severity: Info

Alert Category: System - Other

Serviceable: No

CIM Information: Prefix: PLAT and ID: 0512

SNMP Trap ID:

Automatically notify Support: No

User response: The device has exceeded specified temperature limits and should be replaced.

8007000d-2582ffff Sensor [SensorElementName] has transitioned to normal state.

Explanation: This message is for the use case when an implementation has detected a Sensor transition to the normal state.

May also be shown as 8007000d2582ffff or 0x8007000d2582ffff

Severity: Info

Alert Category: Warning - Other

Serviceable: No

CIM Information: Prefix: PLAT and ID: 0518

SNMP Trap ID: 60

Automatically notify Support: No

User response: RAID Vol State :

8007000d-3030ffff Sensor [SensorElementName] has transitioned to normal state.

Explanation: This message is for the use case when an implementation has detected a Sensor transition to the normal state.

May also be shown as 8007000d3030ffff or 0x8007000d3030ffff

Severity: Info

Alert Category: Warning - Other

Serviceable: No

CIM Information: Prefix: PLAT and ID: 0518

SNMP Trap ID: 60

Automatically notify Support: No

User response: ROMB Volume :

80070101-030101ff Sensor [SensorElementName] has transitioned from normal to non-critical state.

Explanation: The microprocessor 1 temperature has risen above its specified threshold.

May also be shown as 80070101030101ff or 0x80070101030101ff

Severity: Warning

Alert Category: Warning - Temperature

Serviceable: Yes

CIM Information: Prefix: PLAT and ID: 0520

SNMP Trap ID: 12

Automatically notify Support: No

User response: Complete the following steps until the problem is solved:

1. Check the Chassis Management Module or Flex System Manager event log for any fan- or cooling-related issues.
2. Make sure that the airflow at the front and rear of the chassis is not obstructed and that fillers are in place and correctly installed.
3. Make sure that the room temperature is within operating specifications.

80070101-0301ffff Sensor [SensorElementName] Overtemp has transitioned from normal to non-critical state.

Explanation: The microprocessor 1 temperature has risen above its specified threshold.

May also be shown as 800701010301ffff or 0x800701010301ffff

Severity: Warning

Alert Category: Warning - Temperature

Serviceable: Yes

CIM Information: Prefix: PLAT and ID: 0520

SNMP Trap ID: 12

Automatically notify Support: No

User response: Complete the following steps until the problem is solved:

1. Check the Chassis Management Module or Flex System Manager event log for any fan- or cooling-related issues.
2. Make sure that the airflow at the front and rear of the chassis is not obstructed and that fillers are in place and correctly installed.
3. Make sure that the room temperature is within operating specifications.

80070101-030201ff Sensor [SensorElementName] has transitioned from normal to non-critical state.

Explanation: The temperature of microprocessor 2 has exceeded its specified threshold.

May also be shown as 80070101030201ff or 0x80070101030201ff

Severity: Warning

Alert Category: Warning - Temperature

Serviceable: Yes

CIM Information: Prefix: PLAT and ID: 0520

SNMP Trap ID: 12

Automatically notify Support: No

User response: Complete the following steps until the problem is solved:

1. Check the Chassis Management Module or Flex System Manager event log for any fan- or cooling-related issues.
2. Make sure that the airflow at the front and rear of the chassis is not obstructed and that fillers are in place and correctly installed.
3. Make sure that the room temperature is within operating specifications.

80070101-030202ff Sensor [SensorElementName] has transitioned from normal to non-critical state.

Explanation: The temperature of microprocessor 2 has exceeded its specified threshold.

May also be shown as 80070101030202ff or 0x80070101030202ff

Severity: Warning

80070101-0302ffff • 80070101-0481ffff

Alert Category: Warning - Temperature

Serviceable: Yes

CIM Information: **Prefix:** PLAT and **ID:** 0520

SNMP Trap ID: 12

Automatically notify Support: No

User response: Complete the following steps until the problem is solved:

1. Check the Chassis Management Module or Flex System Manager event log for any fan- or cooling-related issues.
2. Make sure that the airflow at the front and rear of the chassis is not obstructed and that fillers are in place and correctly installed.
3. Make sure that the room temperature is within operating specifications.

80070101-0302ffff Sensor [SensorElementName] Overtemp has transitioned from normal to non-critical state.

Explanation: The temperature of microprocessor 2 has exceeded its specified threshold.

May also be shown as 800701010302ffff or 0x800701010302ffff

Severity: Warning

Alert Category: Warning - Temperature

Serviceable: Yes

CIM Information: **Prefix:** PLAT and **ID:** 0520

SNMP Trap ID: 12

Automatically notify Support: No

User response: Complete the following steps until the problem is solved:

1. Check the Chassis Management Module or Flex System Manager event log for any fan- or cooling-related issues.
2. Make sure that the airflow at the front and rear of the chassis is not obstructed and that fillers are in place and correctly installed.
3. Make sure that the room temperature is within operating specifications.

80070101-0481ffff Sensor [SensorElementName] has transitioned from normal to non-critical state.

Explanation: IMM has detected that the Drive temperature has risen above normal.

May also be shown as 800701010481ffff or 0x800701010481ffff

Severity: Warning

Alert Category: Warning - Temperature

Serviceable: Yes

CIM Information: **Prefix:** PLAT and **ID:** 0520

SNMP Trap ID: 12

Automatically notify Support: No

User response:

1. Check the IMM event log for any fan or cooling related issues.
2. Make sure that the airflow at the front and rear of the server is not obstructed and that fillers are in place and correctly installed.
3. Make sure that the room temperature is within operating specifications.

80070101-2c0101ff Sensor [SensorElementName] has transitioned from normal to non-critical state.

Explanation: The temperature of the I/O expansion adapter in I/O expansion connector 1 has exceeded its specified threshold.

May also be shown as 800701012c0101ff or 0x800701012c0101ff

Severity: Warning

Alert Category: Warning - Temperature

Serviceable: Yes

CIM Information: Prefix: PLAT and ID: 0520

SNMP Trap ID: 12

Automatically notify Support: No

User response: Complete the following steps until the problem is solved:

1. Check the Chassis Management Module or Flex System Manager event log for any fan- or cooling-related issues.
2. Make sure that the airflow at the front and rear of the chassis is not obstructed and that fillers are in place and correctly installed.
3. Make sure that the room temperature is within operating specifications.

80070101-2c01ffff Sensor [SensorElementName] has transitioned from normal to non-critical state.

Explanation: The temperature of the I/O expansion adapter in I/O expansion connector 1 has exceeded its specified threshold.

May also be shown as 800701012c01ffff or 0x800701012c01ffff

Severity: Warning

Alert Category: Warning - Temperature

Serviceable: Yes

CIM Information: Prefix: PLAT and ID: 0520

SNMP Trap ID: 12

Automatically notify Support: No

User response: Complete the following steps until the problem is solved:

1. Check the Chassis Management Module or Flex System Manager event log for any fan- or cooling-related issues.
2. Make sure that the airflow at the front and rear of the chassis is not obstructed and that fillers are in place and correctly installed.
3. Make sure that the room temperature is within operating specifications.

80070101-2c0201ff Sensor [SensorElementName] has transitioned from normal to non-critical state.

Explanation: The temperature of the I/O expansion adapter in I/O expansion connector 2 has exceeded its specified threshold.

May also be shown as 800701012c0201ff or 0x800701012c0201ff

Severity: Warning

Alert Category: Warning - Temperature

Serviceable: Yes

CIM Information: Prefix: PLAT and ID: 0520

SNMP Trap ID: 12

Automatically notify Support: No

User response: Complete the following steps until the problem is solved:

80070101-2c02ffff • 80070101-2c04ffff

1. Check the Chassis Management Module or Flex System Manager event log for any fan- or cooling-related issues.
2. Make sure that the airflow at the front and rear of the chassis is not obstructed and that fillers are in place and correctly installed.
3. Make sure that the room temperature is within operating specifications.

80070101-2c02ffff Sensor [SensorElementName] has transitioned from normal to non-critical state.

Explanation: The temperature of the I/O expansion adapter in I/O expansion connector 2 has exceeded its specified threshold.

May also be shown as 800701012c02ffff or 0x800701012c02ffff

Severity: Warning

Alert Category: Warning - Temperature

Serviceable: Yes

CIM Information: Prefix: PLAT and ID: 0520

SNMP Trap ID: 12

Automatically notify Support: No

User response: Complete the following steps until the problem is solved:

1. Check the Chassis Management Module or Flex System Manager event log for any fan- or cooling-related issues.
2. Make sure that the airflow at the front and rear of the chassis is not obstructed and that fillers are in place and correctly installed.
3. Make sure that the room temperature is within operating specifications.

80070101-2c03ffff Sensor [SensorElementName] has transitioned from normal to non-critical state.

Explanation: The temperature of the I/O expansion adapter in I/O expansion connector 3 has exceeded its specified threshold.

May also be shown as 800701012c03ffff or 0x800701012c03ffff

Severity: Warning

Alert Category: Warning - Temperature

Serviceable: Yes

CIM Information: Prefix: PLAT and ID: 0520

SNMP Trap ID: 12

Automatically notify Support: No

User response: Complete the following steps until the problem is solved:

1. Check the Chassis Management Module or Flex System Manager event log for any fan- or cooling-related issues.
2. Make sure that the airflow at the front and rear of the chassis is not obstructed and that fillers are in place and correctly installed.
3. Make sure that the room temperature is within operating specifications.

80070101-2c04ffff Sensor [SensorElementName] has transitioned from normal to non-critical state.

Explanation: The temperature of the I/O expansion adapter in I/O expansion connector 4 has exceeded its specified threshold.

May also be shown as 800701012c04ffff or 0x800701012c04ffff

Severity: Warning

Alert Category: Warning - Temperature

Serviceable: Yes

CIM Information: Prefix: PLAT and ID: 0520

SNMP Trap ID: 12

Automatically notify Support: No

User response: Complete the following steps until the problem is solved:

1. Check the Chassis Management Module or Flex System Manager event log for any fan- or cooling-related issues.
2. Make sure that the airflow at the front and rear of the chassis is not obstructed and that fillers are in place and correctly installed.
3. Make sure that the room temperature is within operating specifications.

80070101-2d01ffff Sensor [SensorElementName] has transitioned from normal to non-critical state.

Explanation: The temperature of the Platform Controller Hub (PCH) has exceeded its specified threshold.

May also be shown as 800701012d01ffff or 0x800701012d01ffff

Severity: Warning

Alert Category: Warning - Temperature

Serviceable: Yes

CIM Information: Prefix: PLAT and ID: 0520

SNMP Trap ID: 12

Automatically notify Support: No

User response: Complete the following steps until the problem is solved:

1. Check the Chassis Management Module or Flex System Manager event log for any fan- or cooling-related issues.
2. Make sure that the airflow at the front and rear of the chassis is not obstructed and that fillers are in place and correctly installed.
3. Make sure that the room temperature is within operating specifications.

8007010d-2582ffff Sensor [SensorElementName] has transitioned from normal to non-critical state.

Explanation: This message is for the use case when an implementation has detected a Sensor transitioned to non-critical from normal.

May also be shown as 8007010d2582ffff or 0x8007010d2582ffff

Severity: Warning

Alert Category: Warning - Other

Serviceable: Yes

CIM Information: Prefix: PLAT and ID: 0520

SNMP Trap ID: 60

Automatically notify Support: No

User response: RAID Vol State :

8007010d-2b81ffff Sensor [SensorElementName] has transitioned from normal to non-critical state.

Explanation: The FlashDIMM agent has indicated that this system contains a FlashDIMM with Less than 1% write warranty remaining

May also be shown as 8007010d2b81ffff or 0x8007010d2b81ffff

Severity: Warning

Alert Category: Warning - Other

Serviceable: Yes

8007010d-3030ffff • 8007010f-2201ffff

CIM Information: Prefix: PLAT and ID: 0520

SNMP Trap ID: 60

Automatically notify Support: No

User response: Information only; warranty is about to expire but no action is required.

8007010d-3030ffff Sensor [SensorElementName] has transitioned from normal to non-critical state.

Explanation: This message is for the use case when an implementation has detected a Sensor transitioned to non-critical from normal.

May also be shown as 8007010d3030ffff or 0x8007010d3030ffff

Severity: Warning

Alert Category: Warning - Other

Serviceable: Yes

CIM Information: Prefix: PLAT and ID: 0520

SNMP Trap ID: 60

Automatically notify Support: No

User response: ROMB Volume :

8007010f-22010000 Sensor [SensorElementName] has transitioned from normal to non-critical state.

Explanation: The GPT (GUID Partition Table) in the disk LUN (Logical Unit Number) is corrupt and may make the data in the LUN inaccessible to the system and prevent boot.

May also be shown as 8007010f22010000 or 0x8007010f22010000

Severity: Warning

Alert Category: Warning - Other

Serviceable: Yes

CIM Information: Prefix: PLAT and ID: 0520

SNMP Trap ID: 60

Automatically notify Support: No

User response: Complete the following steps:

1. Check the IBM support site for service bulletins or firmware updates that apply to this GPT error.
 2. Set the UEFI setting "DISK GPT Recovery" to "Automatic".
 3. Replace the corrupt disk.
-

8007010f-2201ffff Sensor [SensorElementName] has transitioned from normal to non-critical state.

Explanation: The GPT (GUID Partition Table) in the disk LUN (Logical Unit Number) is corrupt and may make the data in the LUN inaccessible to the system and prevent boot.

May also be shown as 8007010f2201ffff or 0x8007010f2201ffff

Severity: Warning

Alert Category: Warning - Other

Serviceable: Yes

CIM Information: Prefix: PLAT and ID: 0520

SNMP Trap ID: 60

Automatically notify Support: No

User response: Complete the following steps:

1. Check the IBM support site for service bulletins or firmware updates that apply to this GPT error.
2. Set the UEFI setting "DISK GPT Recovery" to "Automatic".
3. Replace the corrupt disk.

8007010f-2582ffff Sensor [SensorElementName] has transitioned from normal to non-critical state.

Explanation: Less than optimal I/O resource configuration.

May also be shown as 8007010f2582ffff or 0x8007010f2582ffff

Severity: Warning

Alert Category: Warning - Other

Serviceable: Yes

CIM Information: Prefix: PLAT and ID: 0520

SNMP Trap ID: 60

Automatically notify Support: No

User response: This is a UEFI detected event. The UEFI diagnostic code for this event can be found in the logged IMM message text. Please refer to the UEFI diagnostic code in the "UEFI diagnostic code" section of the Information Center for the appropriate user response.

Related Links:

- "Finding the UEFI diagnostic code" on page 648

80070114-2201ffff Sensor [SensorElementName] has transitioned from normal to non-critical state.

Explanation: A Sensor has transitioned to non-critical from normal .

May also be shown as 800701142201ffff or 0x800701142201ffff

Severity: Warning

Alert Category: Warning - Other

Serviceable: Yes

CIM Information: Prefix: PLAT and ID: 0520

SNMP Trap ID: 60

Automatically notify Support: No

User response: This is a UEFI detected event. The UEFI diagnostic code for this event can be found in the logged IMM message text. Please refer to the UEFI diagnostic code in the "UEFI diagnostic code" section of the Information Center for the appropriate user response.

Related Links:

- "Finding the UEFI diagnostic code" on page 648

80070201-0481ffff Sensor [SensorElementName] has transitioned to critical from a less severe state.

Explanation: IMM has detected that the Drive temperature has risen to critical.

May also be shown as 800702010481ffff or 0x800702010481ffff

Severity: Error

Alert Category: Critical - Temperature

Serviceable: Yes

CIM Information: Prefix: PLAT and ID: 0522

SNMP Trap ID: 0

80070202-0701ffff • 8007020d-2582ffff

Automatically notify Support: No

User response:

1. Check the IMM event log for any fan or cooling related issues.
2. Make sure that the airflow at the front and rear of the server is not obstructed and that fillers are in place and correctly installed.
3. Make sure that the room temperature is within operating specifications.

80070202-0701ffff Sensor [SensorElementName] has transitioned to critical from a less severe state.

Explanation: A failure has been detected in the system board.

May also be shown as 800702020701ffff or 0x800702020701ffff

Severity: Error

Alert Category: Critical - Voltage

Serviceable: Yes

CIM Information: Prefix: PLAT and ID: 0522

SNMP Trap ID: 1

Automatically notify Support: No

User response: Complete the following steps:

1. Remove any recently installed components.
2. Try to power on the compute node.
 - If the compute node successfully powers on, complete the following steps:
 - a. Check the ServerProven website to make sure that recently installed components are compatible with the compute node.
 - b. Inspect the previously installed components for physical damage.
 - If the compute node does not successfully power on or if this is not the first occurrence of this problem, replace the system board.

8007020c-2581ffff Sensor [SensorElementName] has transitioned to critical from a less severe state.

Explanation: A Mem Lane has transitioned to critical from less severe.

May also be shown as 8007020c2581ffff or 0x8007020c2581ffff

Severity: Error

Alert Category: Critical - Other

Serviceable: Yes

CIM Information: Prefix: PLAT and ID: 0522

SNMP Trap ID: 50

Automatically notify Support: No

User response: User is advised to not install this type of mezzanine expansion adaptor in slot 3 or slot 4.

8007020d-2582ffff Sensor [SensorElementName] has transitioned to critical from a less severe state.

Explanation: This message is for the use case when an implementation has detected a Sensor transitioned to critical from less severe.

May also be shown as 8007020d2582ffff or 0x8007020d2582ffff

Severity: Error

Alert Category: Critical - Other

Serviceable: Yes

CIM Information: Prefix: PLAT and ID: 0522

SNMP Trap ID: 50

Automatically notify Support: No

User response: RAID Vol State :

8007020d-3030ffff Sensor [SensorElementName] has transitioned to critical from a less severe state.

Explanation: This message is for the use case when an implementation has detected a Sensor transitioned to critical from less severe.

May also be shown as 8007020d3030ffff or 0x8007020d3030ffff

Severity: Error

Alert Category: Critical - Other

Serviceable: Yes

CIM Information: Prefix: PLAT and ID: 0522

SNMP Trap ID: 50

Automatically notify Support: No

User response: ROMB Volume :

8007020f-2201ffff Sensor [SensorElementName] has transitioned to critical from a less severe state.

Explanation: The IMM has reported a Drive Key Fault or TXT ACM Module fault.

May also be shown as 8007020f2201ffff or 0x8007020f2201ffff

Severity: Error

Alert Category: Critical - Other

Serviceable: Yes

CIM Information: Prefix: PLAT and ID: 0522

SNMP Trap ID: 50

Automatically notify Support: No

User response: This is a UEFI detected event. The UEFI diagnostic code for this event can be found in the logged IMM message text. Please refer to the UEFI diagnostic code in the "UEFI diagnostic code" section of the Info Center for the appropriate user response.

Related Links:

- "Finding the UEFI diagnostic code" on page 648

8007020f-2582ffff Sensor [SensorElementName] has transitioned to critical from a less severe state.

Explanation: IMM has detected a "No I/O Resources" Sensor has transitioned to critical.

May also be shown as 8007020f2582ffff or 0x8007020f2582ffff

Severity: Error

Alert Category: Critical - Other

Serviceable: Yes

CIM Information: Prefix: PLAT and ID: 0522

SNMP Trap ID: 50

Automatically notify Support: No

User response: This is a UEFI detected event. The UEFI diagnostic code for this event can be found in the logged

80070217-2c01ffff • 80070217-2c02ffff

IMM message text. Please refer to the UEFI diagnostic code in the "UEFI diagnostic code" section of the Information Center for the appropriate user response.

Related Links:

- "Finding the UEFI diagnostic code" on page 648

80070217-2c01ffff Sensor [SensorElementName] has transitioned to critical from a less severe state.

Explanation: The I/O expansion adapter in I/O expansion connector 1 has reported a fault.

May also be shown as 800702172c01ffff or 0x800702172c01ffff

Severity: Error

Alert Category: Critical - Other

Serviceable: Yes

CIM Information: Prefix: PLAT and ID: 0522

SNMP Trap ID: 50

Automatically notify Support: No

User response: Complete the following steps:

1. Remove any recently installed components.
2. Try to power on the chassis.
 - If the chassis successfully powers on, complete the following steps:
 - a. Check the ServerProven website to make sure that recently installed components are compatible with the chassis.
 - b. Inspect the previously installed components for physical damage.
 - If the chassis does not successfully power on or if this is not the first occurrence of this problem, replace the I/O expansion adapter.

80070217-2c02ffff Sensor [SensorElementName] has transitioned to critical from a less severe state.

Explanation: The I/O expansion adapter in I/O expansion connector 2 has reported a fault.

May also be shown as 800702172c02ffff or 0x800702172c02ffff

Severity: Error

Alert Category: Critical - Other

Serviceable: Yes

CIM Information: Prefix: PLAT and ID: 0522

SNMP Trap ID: 50

Automatically notify Support: No

User response: Complete the following steps:

1. Remove any recently installed components.
2. Try to power on the chassis.
 - If the chassis successfully powers on, complete the following steps:
 - a. Check the ServerProven website to make sure that recently installed components are compatible with the chassis.
 - b. Inspect the previously installed components for physical damage.
 - If the chassis does not successfully power on or if this is not the first occurrence of this problem, replace the I/O expansion adapter.

80070217-2c03ffff Sensor [SensorElementName] has transitioned to critical from a less severe state.

Explanation: The I/O expansion adapter in I/O expansion connector 3 has reported a fault.

May also be shown as 800702172c03ffff or 0x800702172c03ffff

Severity: Error

Alert Category: Critical - Other

Serviceable: Yes

CIM Information: Prefix: PLAT and ID: 0522

SNMP Trap ID: 50

Automatically notify Support: No

User response: Complete the following steps:

1. Remove any recently installed components.
2. Try to power on the chassis.
 - If the chassis successfully powers on, complete the following steps:
 - a. Check the ServerProven website to make sure that recently installed components are compatible with the chassis.
 - b. Inspect the previously installed components for physical damage.
 - If the chassis does not successfully power on or if this is not the first occurrence of this problem, replace the I/O expansion adapter.

80070217-2c04ffff Sensor [SensorElementName] has transitioned to critical from a less severe state.

Explanation: The I/O expansion adapter in I/O expansion connector 4 has reported a fault.

May also be shown as 800702172c04ffff or 0x800702172c04ffff

Severity: Error

Alert Category: Critical - Other

Serviceable: Yes

CIM Information: Prefix: PLAT and ID: 0522

SNMP Trap ID: 50

Automatically notify Support: No

User response: Complete the following steps:

1. Remove any recently installed components.
2. Try to power on the chassis.
 - If the chassis successfully powers on, complete the following steps:
 - a. Check the ServerProven website to make sure that recently installed components are compatible with the chassis.
 - b. Inspect the previously installed components for physical damage.
 - If the chassis does not successfully power on or if this is not the first occurrence of this problem, replace the I/O expansion adapter.

80070219-0701ffff Sensor [SensorElementName] has transitioned to critical from a less severe state.

Explanation: The system board has a critical fault.

May also be shown as 800702190701ffff or 0x800702190701ffff

Severity: Error

Alert Category: Critical - Other

Serviceable: Yes

8007021b-0301ffff • 80070221-1f09ffff

CIM Information: Prefix: PLAT and ID: 0522

SNMP Trap ID: 50

Automatically notify Support: No

User response: This is a UEFI detected event. The UEFI diagnostic code for this event can be found in the logged IMM message text. Please refer to the UEFI diagnostic code in the "UEFI diagnostic code" section of the Information Center for the appropriate user response.

Related Links:

- "Finding the UEFI diagnostic code" on page 648

8007021b-0301ffff Sensor [SensorElementName] has transitioned to critical from a less severe state.

Explanation: CPU 1 QPI Link Failure detected.

May also be shown as 8007021b0301ffff or 0x8007021b0301ffff

Severity: Error

Alert Category: Critical - Other

Serviceable: Yes

CIM Information: Prefix: PLAT and ID: 0522

SNMP Trap ID: 50

Automatically notify Support: Yes

User response: This is a UEFI detected event. The UEFI diagnostic code for this event can be found in the logged IMM message text. Please refer to the UEFI diagnostic code in the "UEFI diagnostic code" section of the Information Center for the appropriate user response.

Related Links:

- "Finding the UEFI diagnostic code" on page 648

8007021b-0302ffff Sensor [SensorElementName] has transitioned to critical from a less severe state.

Explanation: CPU 2 QPI Link Failure detected.

May also be shown as 8007021b0302ffff or 0x8007021b0302ffff

Severity: Error

Alert Category: Critical - Other

Serviceable: Yes

CIM Information: Prefix: PLAT and ID: 0522

SNMP Trap ID: 50

Automatically notify Support: No

User response: This is a UEFI detected event. The UEFI diagnostic code for this event can be found in the logged IMM message text. Please refer to the UEFI diagnostic code in the "UEFI diagnostic code" section of the Information Center for the appropriate user response.

Related Links:

- "Finding the UEFI diagnostic code" on page 648

80070221-1f09ffff Sensor [SensorElementName] has transitioned to critical from a less severe state.

Explanation: IMM has detected a EXT QPI Link Error 1.

May also be shown as 800702211f09ffff or 0x800702211f09ffff

Severity: Error

Alert Category: Critical - Other

Serviceable: Yes

CIM Information: Prefix: PLAT and ID: 0522

SNMP Trap ID: 50

Automatically notify Support: No

User response: This is a UEFI detected event. The UEFI diagnostic code for this event can be found in the logged IMM message text. Please refer to the UEFI diagnostic code in the "UEFI diagnostic code" section of the Info Center for the appropriate user response.

Related Links:

- "Finding the UEFI diagnostic code" on page 648

80070221-1f0affff Sensor [SensorElementName] has transitioned to critical from a less severe state.

Explanation: IMM has detected a EXT QPI Link Error 2.

May also be shown as 800702211f0affff or 0x800702211f0affff

Severity: Error

Alert Category: Critical - Other

Serviceable: Yes

CIM Information: Prefix: PLAT and ID: 0522

SNMP Trap ID: 50

Automatically notify Support: No

User response: This is a UEFI detected event. The UEFI diagnostic code for this event can be found in the logged IMM message text. Please refer to the UEFI diagnostic code in the "UEFI diagnostic code" section of the Info Center for the appropriate user response.

Related Links:

- "Finding the UEFI diagnostic code" on page 648

80070301-030101ff Sensor [SensorElementName] has transitioned to non-recoverable from a less severe state.

Explanation: The microprocessor 1 temperature has risen above its specified threshold, causing a hard shutdown of the node.

May also be shown as 80070301030101ff or 0x80070301030101ff

Severity: Error

Alert Category: Critical - Temperature

Serviceable: Yes

CIM Information: Prefix: PLAT and ID: 0524

SNMP Trap ID: 0

Automatically notify Support: No

User response: Complete the following steps until the problem is solved:

1. Check the Chassis Management Module or Flex System Manager event log for any fan- or cooling-related issues.
2. Make sure that the airflow at the front and rear of the chassis is not obstructed and that fillers are in place and correctly installed.
3. Make sure that the room temperature is within operating specifications.
4. Make sure that the microprocessor 1 heat sink is securely installed.
5. Make sure that the microprocessor 1 heat sink is installed correctly and the thermal material is correctly applied.
6. Replace microprocessor 1.

80070301-0301ffff Sensor [SensorElementName] has transitioned to non-recoverable from a less severe state.

Explanation: The microprocessor 1 temperature has risen above its specified threshold, causing a hard shutdown of the node.

May also be shown as 800703010301ffff or 0x800703010301ffff

Severity: Error

Alert Category: Critical - Temperature

Serviceable: Yes

CIM Information: Prefix: PLAT and ID: 0524

SNMP Trap ID: 0

Automatically notify Support: No

User response: Complete the following steps until the problem is solved:

1. Check the Chassis Management Module or Flex System Manager event log for any fan- or cooling-related issues.
2. Make sure that the airflow at the front and rear of the chassis is not obstructed and that fillers are in place and correctly installed.
3. Make sure that the room temperature is within operating specifications.
4. Make sure that the microprocessor 1 heat sink is securely installed.
5. Make sure that the microprocessor 1 heat sink is installed correctly and the thermal material is correctly applied.
6. Replace microprocessor 1.

80070301-030202ff Sensor [SensorElementName] has transitioned to non-recoverable from a less severe state.

Explanation: The temperature of microprocessor 2 has exceeded its specified threshold, causing a hard shutdown of the compute node.

May also be shown as 80070301030202ff or 0x80070301030202ff

Severity: Error

Alert Category: Critical - Temperature

Serviceable: Yes

CIM Information: Prefix: PLAT and ID: 0524

SNMP Trap ID: 0

Automatically notify Support: No

User response: Complete the following steps until the problem is solved:

1. Check the Chassis Management Module or Flex System Manager event log for any fan- or cooling-related issues.
2. Make sure that the airflow at the front and rear of the chassis is not obstructed and that fillers are in place and correctly installed.
3. Make sure that the room temperature is within operating specifications.
4. Make sure that the microprocessor 2 heat sink is securely installed.
5. Make sure that the microprocessor 2 heat sink is installed correctly and the thermal material is correctly applied.
6. Replace microprocessor 2.

80070301-0302ffff Sensor [SensorElementName] has transitioned to non-recoverable from a less severe state.

Explanation: The temperature of microprocessor 2 has exceeded its specified threshold, causing a hard shutdown of the compute node.

May also be shown as 800703010302ffff or 0x800703010302ffff

Severity: Error

Alert Category: Critical - Temperature

Serviceable: Yes

CIM Information: Prefix: PLAT and ID: 0524

SNMP Trap ID: 0

Automatically notify Support: No

User response: Complete the following steps until the problem is solved:

1. Check the Chassis Management Module or Flex System Manager event log for any fan- or cooling-related issues.
2. Make sure that the airflow at the front and rear of the chassis is not obstructed and that fillers are in place and correctly installed.
3. Make sure that the room temperature is within operating specifications.
4. Make sure that the microprocessor 2 heat sink is securely installed.
5. Make sure that the microprocessor 2 heat sink is installed correctly and the thermal material is correctly applied.
6. Replace microprocessor 2.

80070301-0481ffff Sensor [SensorElementName] has transitioned to non-recoverable from a less severe state.

Explanation: IMM has detected that the Drive temperature has risen to non recoverable.

May also be shown as 800703010481ffff or 0x800703010481ffff

Severity: Error

Alert Category: Critical - Temperature

Serviceable: Yes

CIM Information: Prefix: PLAT and ID: 0524

SNMP Trap ID: 0

Automatically notify Support: No

User response:

1. Check the IMM event log for any fan or cooling related issues.
2. Make sure that the airflow at the front and rear of the server is not obstructed and that fillers are in place and correctly installed.
3. Make sure that the room temperature is within operating specifications.

80070301-2c0101ff Sensor [SensorElementName] has transitioned to non-recoverable from a less severe state.

Explanation: The temperature of the I/O expansion adapter in I/O expansion connector 1 has exceeded its specified threshold. The compute node has attempted a soft shutdown.

May also be shown as 800703012c0101ff or 0x800703012c0101ff

Severity: Error

Alert Category: Critical - Temperature

Serviceable: Yes

CIM Information: Prefix: PLAT and ID: 0524

SNMP Trap ID: 0

Automatically notify Support: No

User response: Complete the following steps until the problem is solved:

1. Check the Chassis Management Module or Flex System Manager event log for any fan- or cooling-related issues.
2. Make sure that the airflow at the front and rear of the chassis is not obstructed and that fillers are in place and correctly installed.
3. Make sure that the room temperature is within operating specifications.
4. If there are no other thermal issues, replace the I/O expansion adapter.

80070301-2c01ffff Sensor [SensorElementName] has transitioned to non-recoverable from a less severe state.

Explanation: The temperature of the I/O expansion adapter in I/O expansion connector 1 has exceeded its specified threshold. The compute node has attempted a soft shutdown.

May also be shown as 800703012c01ffff or 0x800703012c01ffff

Severity: Error

Alert Category: Critical - Temperature

Serviceable: Yes

CIM Information: Prefix: PLAT and ID: 0524

SNMP Trap ID: 0

Automatically notify Support: No

User response: Complete the following steps until the problem is solved:

1. Check the Chassis Management Module or Flex System Manager event log for any fan- or cooling-related issues.
2. Make sure that the airflow at the front and rear of the chassis is not obstructed and that fillers are in place and correctly installed.
3. Make sure that the room temperature is within operating specifications.
4. If there are no other thermal issues, replace the I/O expansion adapter.

80070301-2c0201ff Sensor Mezz Exp 2 temp has transitioned to non-recoverable from a less severe state.

Explanation: The temperature of the I/O expansion adapter in I/O expansion connector 2 has exceeded its specified threshold. The compute node has attempted a soft shutdown.

May also be shown as 800703012c0201ff or 0x800703012c0201ff

Severity: Error

Alert Category: Critical - Temperature

Serviceable: Yes

CIM Information: Prefix: PLAT and ID: 0524

SNMP Trap ID: 0

Automatically notify Support: No

User response: Complete the following steps until the problem is solved:

1. Check the Chassis Management Module or Flex System Manager event log for any fan- or cooling-related issues.
2. Make sure that the airflow at the front and rear of the chassis is not obstructed and that fillers are in place and correctly installed.
3. Make sure that the room temperature is within operating specifications.
4. If there are no other thermal issues, replace the I/O expansion adapter.

80070301-2c02ffff Sensor Mezz Exp 2 temp has transitioned to non-recoverable from a less severe state.

Explanation: The temperature of the I/O expansion adapter in I/O expansion connector 2 has exceeded its specified threshold. The compute node has attempted a soft shutdown.

May also be shown as 800703012c02ffff or 0x800703012c02ffff

Severity: Error

Alert Category: Critical - Temperature

Serviceable: Yes

CIM Information: Prefix: PLAT and ID: 0524

SNMP Trap ID: 0

Automatically notify Support: No

User response: Complete the following steps until the problem is solved:

1. Check the Chassis Management Module or Flex System Manager event log for any fan- or cooling-related issues.
2. Make sure that the airflow at the front and rear of the chassis is not obstructed and that fillers are in place and correctly installed.
3. Make sure that the room temperature is within operating specifications.
4. If there are no other thermal issues, replace the I/O expansion adapter.

80070301-2c0302ff Sensor [SensorElementName] has transitioned to non-recoverable from a less severe state.

Explanation: The temperature of the I/O expansion adapter in I/O expansion connector 3 has exceeded its specified threshold. The compute node has attempted a soft shutdown.

May also be shown as 800703012c0302ff or 0x800703012c0302ff

Severity: Error

Alert Category: Critical - Temperature

Serviceable: Yes

CIM Information: Prefix: PLAT and ID: 0524

SNMP Trap ID: 0

Automatically notify Support: No

User response: Complete the following steps until the problem is solved:

1. Check the Chassis Management Module or Flex System Manager event log for any fan- or cooling-related issues.
2. Make sure that the airflow at the front and rear of the chassis is not obstructed and that fillers are in place and correctly installed.
3. Make sure that the room temperature is within operating specifications.
4. If there are no other thermal issues, replace the I/O expansion adapter.

80070301-2c03ffff Sensor [SensorElementName] has transitioned to non-recoverable from a less severe state.

Explanation: The temperature of the I/O expansion adapter in I/O expansion connector 3 has exceeded its specified threshold. The compute node has attempted a soft shutdown.

May also be shown as 800703012c03ffff or 0x800703012c03ffff

Severity: Error

Alert Category: Critical - Temperature

Serviceable: Yes

CIM Information: Prefix: PLAT and ID: 0524

SNMP Trap ID: 0

Automatically notify Support: No

User response: Complete the following steps until the problem is solved:

1. Check the Chassis Management Module or Flex System Manager event log for any fan- or cooling-related issues.
2. Make sure that the airflow at the front and rear of the chassis is not obstructed and that fillers are in place and correctly installed.
3. Make sure that the room temperature is within operating specifications.
4. If there are no other thermal issues, replace the I/O expansion adapter.

80070301-2c0402ff • 80070301-2d01ffff

80070301-2c0402ff Sensor Mezz Exp 4 temp has transitioned to non-recoverable from a less severe state.

Explanation: The temperature of the I/O expansion adapter in I/O expansion connector 4 has exceeded its specified threshold. The compute node has attempted a soft shutdown.

May also be shown as 800703012c0402ff or 0x800703012c0402ff

Severity: Error

Alert Category: Critical - Temperature

Serviceable: Yes

CIM Information: Prefix: PLAT and ID: 0524

SNMP Trap ID: 0

Automatically notify Support: No

User response: Complete the following steps until the problem is solved:

1. Check the Chassis Management Module or Flex System Manager event log for any fan- or cooling-related issues.
2. Make sure that the airflow at the front and rear of the chassis is not obstructed and that fillers are in place and correctly installed.
3. Make sure that the room temperature is within operating specifications.
4. If there are no other thermal issues, replace the I/O expansion adapter.

80070301-2c04ffff Sensor Mezz Exp 4 temp has transitioned to non-recoverable from a less severe state.

Explanation: The temperature of the I/O expansion adapter in I/O expansion connector 4 has exceeded its specified threshold. The compute node has attempted a soft shutdown.

May also be shown as 800703012c04ffff or 0x800703012c04ffff

Severity: Error

Alert Category: Critical - Temperature

Serviceable: Yes

CIM Information: Prefix: PLAT and ID: 0524

SNMP Trap ID: 0

Automatically notify Support: No

User response: Complete the following steps until the problem is solved:

1. Check the Chassis Management Module or Flex System Manager event log for any fan- or cooling-related issues.
2. Make sure that the airflow at the front and rear of the chassis is not obstructed and that fillers are in place and correctly installed.
3. Make sure that the room temperature is within operating specifications.
4. If there are no other thermal issues, replace the I/O expansion adapter.

80070301-2d01ffff Sensor [SensorElementName] has transitioned to non-recoverable from a less severe state.

Explanation: A temperature has exceeded its specified threshold. The compute node will attempt a soft shutdown.

May also be shown as 800703012d01ffff or 0x800703012d01ffff

Severity: Error

Alert Category: Critical - Temperature

Serviceable: Yes

CIM Information: Prefix: PLAT and ID: 0524

SNMP Trap ID: 0

Automatically notify Support: No

User response: Complete the following steps until the problem is solved:

1. Check the Chassis Management Module or Flex System Manager event log for any fan- or cooling-related issues.
2. Make sure that the airflow at the front and rear of the chassis is not obstructed and that fillers are in place and correctly installed.
3. Make sure that the room temperature is within operating specifications.

8007030d-2582ffff Sensor [SensorElementName] has transitioned to non-recoverable from a less severe state.

Explanation: This message is for the use case when an implementation has detected a Sensor transitioned to non-recoverable from less severe.

May also be shown as 8007030d2582ffff or 0x8007030d2582ffff

Severity: Error

Alert Category: Critical - Other

Serviceable: Yes

CIM Information: Prefix: PLAT and ID: 0524

SNMP Trap ID: 50

Automatically notify Support: No

User response: RAID Vol State :

8007030d-2b81ffff Sensor [SensorElementName] has transitioned to non-recoverable from a less severe state.

Explanation: The FlashDIMM agent has indicated Compute Book 1 contains a FlashDIMM with Less than 10% write warranty remaining

May also be shown as 8007030d2b81ffff or 0x8007030d2b81ffff

Severity: Error

Alert Category: Critical - Other

Serviceable: Yes

CIM Information: Prefix: PLAT and ID: 0524

SNMP Trap ID: 50

Automatically notify Support: No

User response: Information only; warranty is about to expire but no action is required.

8007030d-3030ffff Sensor [SensorElementName] has transitioned to non-recoverable from a less severe state.

Explanation: This message is for the use case when an implementation has detected a Sensor transitioned to non-recoverable from less severe.

May also be shown as 8007030d3030ffff or 0x8007030d3030ffff

Severity: Error

Alert Category: Critical - Other

Serviceable: Yes

CIM Information: Prefix: PLAT and ID: 0524

SNMP Trap ID: 50

Automatically notify Support: No

User response: ROMB Volume :

80070401-2c01ffff • 80070401-2c04ffff

80070401-2c01ffff Sensor [SensorElementName] has transitioned to non-critical from a more severe state.

Explanation: The previously high temperature of the I/O expansion adapter in I/O expansion connector 1 has returned to below its specified threshold.

May also be shown as 800704012c01ffff or 0x800704012c01ffff

Severity: Info

Alert Category: System - Other

Serviceable: No

CIM Information: Prefix: PLAT and ID: 0526

SNMP Trap ID: 22

Automatically notify Support: No

User response: Information only; no action is required.

80070401-2c02ffff Sensor [SensorElementName] has transitioned to non-critical from a more severe state.

Explanation: The previously high temperature of the I/O expansion adapter in I/O expansion connector 2 has returned to below its specified threshold.

May also be shown as 800704012c02ffff or 0x800704012c02ffff

Severity: Info

Alert Category: System - Other

Serviceable: No

CIM Information: Prefix: PLAT and ID: 0526

SNMP Trap ID: 22

Automatically notify Support: No

User response: Information only; no action is required.

80070401-2c03ffff Sensor [SensorElementName] has transitioned to non-critical from a more severe state.

Explanation: The previously high temperature of the I/O expansion adapter in I/O expansion connector 3 has returned to below its specified threshold.

May also be shown as 800704012c03ffff or 0x800704012c03ffff

Severity: Info

Alert Category: System - Other

Serviceable: No

CIM Information: Prefix: PLAT and ID: 0526

SNMP Trap ID: 22

Automatically notify Support: No

User response: Information only; no action is required.

80070401-2c04ffff Sensor [SensorElementName] has transitioned to non-critical from a more severe state.

Explanation: The previously high temperature of the I/O expansion adapter in I/O expansion connector 4 has returned to below its specified threshold.

May also be shown as 800704012c04ffff or 0x800704012c04ffff

Severity: Info

Alert Category: System - Other

Serviceable: No

CIM Information: Prefix: PLAT and ID: 0526

SNMP Trap ID: 22

Automatically notify Support: No

User response: Information only; no action is required.

80070601-2c01ffff Sensor [SensorElementName] has transitioned to non-recoverable.

Explanation: The temperature of the I/O expansion adapter in I/O expansion connector 1 has exceeded its specified threshold. The compute node has attempted a soft shutdown.

May also be shown as 800706012c01ffff or 0x800706012c01ffff

Severity: Error

Alert Category: Critical - Temperature

Serviceable: Yes

CIM Information: Prefix: PLAT and ID: 0530

SNMP Trap ID: 0

Automatically notify Support: No

User response: Complete the following steps until the problem is solved:

1. Check the Chassis Management Module or Flex System Manager event log for any fan- or cooling-related issues.
 2. Make sure that the airflow at the front and rear of the chassis is not obstructed and that fillers are in place and correctly installed.
 3. Make sure that the room temperature is within operating specifications.
 4. If there are no other thermal issues, replace the I/O expansion adapter.
-

80070601-2c02ffff Sensor [SensorElementName] has transitioned to non-recoverable.

Explanation: The temperature of the I/O expansion adapter in I/O expansion connector 2 has exceeded its specified threshold. The compute node has attempted a soft shutdown.

May also be shown as 800706012c02ffff or 0x800706012c02ffff

Severity: Error

Alert Category: Critical - Temperature

Serviceable: Yes

CIM Information: Prefix: PLAT and ID: 0530

SNMP Trap ID: 0

Automatically notify Support: No

User response: Complete the following steps until the problem is solved:

1. Check the Chassis Management Module or Flex System Manager event log for any fan- or cooling-related issues.
 2. Make sure that the airflow at the front and rear of the chassis is not obstructed and that fillers are in place and correctly installed.
 3. Make sure that the room temperature is within operating specifications.
 4. If there are no other thermal issues, replace the I/O expansion adapter.
-

80070601-2c03ffff Sensor [SensorElementName] has transitioned to non-recoverable.

Explanation: The temperature of the I/O expansion adapter in I/O expansion connector 3 has exceeded its specified threshold. The compute node has attempted a soft shutdown.

May also be shown as 800706012c03ffff or 0x800706012c03ffff

80070601-2c04ffff • 8007060f-2201ffff

Severity: Error

Alert Category: Critical - Temperature

Serviceable: Yes

CIM Information: **Prefix:** PLAT and **ID:** 0530

SNMP Trap ID: 0

Automatically notify Support: No

User response: Complete the following steps until the problem is solved:

1. Check the Chassis Management Module or Flex System Manager event log for any fan- or cooling-related issues.
2. Make sure that the airflow at the front and rear of the chassis is not obstructed and that fillers are in place and correctly installed.
3. Make sure that the room temperature is within operating specifications.
4. If there are no other thermal issues, replace the I/O expansion adapter.

80070601-2c04ffff Sensor [SensorElementName] has transitioned to non-recoverable.

Explanation: The temperature of the I/O expansion adapter in I/O expansion connector 4 has exceeded its specified threshold. The compute node has attempted a soft shutdown.

May also be shown as 800706012c04ffff or 0x800706012c04ffff

Severity: Error

Alert Category: Critical - Temperature

Serviceable: Yes

CIM Information: **Prefix:** PLAT and **ID:** 0530

SNMP Trap ID: 0

Automatically notify Support: No

User response: Complete the following steps until the problem is solved:

1. Check the Chassis Management Module or Flex System Manager event log for any fan- or cooling-related issues.
2. Make sure that the airflow at the front and rear of the chassis is not obstructed and that fillers are in place and correctly installed.
3. Make sure that the room temperature is within operating specifications.
4. If there are no other thermal issues, replace the I/O expansion adapter.

8007060f-2201ffff Sensor [SensorElementName] has transitioned to non-recoverable.

Explanation: BOFM Config Error has been detected.

May also be shown as 8007060f2201ffff or 0x8007060f2201ffff

Severity: Error

Alert Category: Critical - Other

Serviceable: Yes

CIM Information: **Prefix:** PLAT and **ID:** 0530

SNMP Trap ID: 50

Automatically notify Support: No

User response: This is a UEFI detected event. The UEFI diagnostic code for this event can be found in the logged IMM message text. Please refer to the UEFI diagnostic code in the "UEFI diagnostic code" section of the Information Center for the appropriate user response.

Related Links:

- "Finding the UEFI diagnostic code" on page 648

80070614-2201ffff Sensor [SensorElementName] has transitioned to non-recoverable.

Explanation: Trusted Platform Module (TPM) initialization error.

May also be shown as 800706142201ffff or 0x800706142201ffff

Severity: Error

Alert Category: Critical - Other

Serviceable: Yes

CIM Information: Prefix: PLAT and ID: 0530

SNMP Trap ID: 50

Automatically notify Support: No

User response: This is a UEFI detected event. The UEFI diagnostic code for this event can be found in the logged IMM message text. Please refer to the UEFI diagnostic code in the "UEFI diagnostic code" section of the Info Center for the appropriate user response.

Related Links:

- "Finding the UEFI diagnostic code" on page 648

80070617-2c01ffff Sensor [SensorElementName] has transitioned to non-recoverable.

Explanation: A problem has been detected in the I/O expansion adapter in I/O expansion connector 1 or the Eagleray Flt Buf. The adapter is unable to initialize.

May also be shown as 800706172c01ffff or 0x800706172c01ffff

Severity: Error

Alert Category: Critical - Other

Serviceable: Yes

CIM Information: Prefix: PLAT and ID: 0530

SNMP Trap ID: 50

Automatically notify Support: No

User response: Complete the following steps:

Mezz Exp 1 Fault

1. Remove the I/O expansion adapter in I/O expansion connector 1.
2. Try to power on the chassis.
 - If the chassis successfully powers on, complete the following steps:
 - a. Check the ServerProven website to make sure that recently installed components are compatible with the chassis.
 - b. Inspect the previously installed components for physical damage.
 - If the chassis does not successfully power on or if this is not the first occurrence of this problem, replace the I/O expansion adapter.

Eagleray Flt Buf

1. ???

80070617-2c02ffff Sensor [SensorElementName] has transitioned to non-recoverable.

Explanation: A problem was detected in the I/O expansion adapter in I/O expansion connector 2. The adapter is unable to initialize.

May also be shown as 800706172c02ffff or 0x800706172c02ffff

Severity: Error

80070617-2c03ffff • 80070617-2c04ffff

Alert Category: Critical - Other

Serviceable: Yes

CIM Information: Prefix: PLAT and ID: 0530

SNMP Trap ID: 50

Automatically notify Support: No

User response: Complete the following steps:

1. Remove the I/O expansion adapter in I/O expansion connector 2.
2. Try to power on the chassis.
 - If the chassis successfully powers on, complete the following steps:
 - a. Check the ServerProven website to make sure that recently installed components are compatible with the chassis.
 - b. Inspect the previously installed components for physical damage.
 - If the chassis does not successfully power on or if this is not the first occurrence of this problem, replace the I/O expansion adapter.

80070617-2c03ffff Sensor [SensorElementName] has transitioned to non-recoverable.

Explanation: A problem was detected in the I/O expansion adapter in I/O expansion connector 3. The adapter is unable to initialize.

May also be shown as 800706172c03ffff or 0x800706172c03ffff

Severity: Error

Alert Category: Critical - Other

Serviceable: Yes

CIM Information: Prefix: PLAT and ID: 0530

SNMP Trap ID: 50

Automatically notify Support: No

User response: Complete the following steps:

1. Remove the I/O expansion adapter in I/O expansion connector 3.
2. Try to power on the chassis.
 - If the chassis successfully powers on, complete the following steps:
 - a. Check the ServerProven website to make sure that recently installed components are compatible with the chassis.
 - b. Inspect the previously installed components for physical damage.
 - If the chassis does not successfully power on or if this is not the first occurrence of this problem, replace the I/O expansion adapter.

80070617-2c04ffff Sensor [SensorElementName] has transitioned to non-recoverable.

Explanation: A problem was detected in the I/O expansion adapter in I/O expansion connector 4. The adapter is unable to initialize.

May also be shown as 800706172c04ffff or 0x800706172c04ffff

Severity: Error

Alert Category: Critical - Other

Serviceable: Yes

CIM Information: Prefix: PLAT and ID: 0530

SNMP Trap ID: 50

Automatically notify Support: No

User response: Complete the following steps:

1. Remove the I/O expansion adapter in I/O expansion connector 4.
2. Try to power on the chassis.
 - If the chassis successfully powers on, complete the following steps:
 - a. Check the ServerProven website to make sure that recently installed components are compatible with the chassis.
 - b. Inspect the previously installed components for physical damage.
 - If the chassis does not successfully power on or if this is not the first occurrence of this problem, replace the I/O expansion adapter.

8008001b-1f07ffff Device [LogicalDeviceElementName] has been removed from unit [PhysicalPackageElementName].

Explanation: The fabric connector for LAN On Motherboard (LOM) in location 1 is not present.

May also be shown as 8008001b1f07ffff or 0x8008001b1f07ffff

Severity: Info

Alert Category: System - Other

Serviceable: No

CIM Information: Prefix: PLAT and ID: 0537

SNMP Trap ID:

Automatically notify Support: No

User response: Informational message.

On a LOM model compute node, if you are utilizing LOM and it is not working ensure you have the necessary fabric connector installed.

- To utilize the LOM:
 - have the LOM model compute node
 - have the corresponding fabric connector installed
- Information regarding the fabric connectors:
 - LOM 1 utilizes the fabric connector in location 1.
 - LOM 2 utilizes the fabric connector in location 2.
 - I/O expansion adaptor in I/O expansion slot 1 and the fabric connector in slot 1 utilize the same connector and only one of the two can be installed at a time.
 - I/O expansion adaptor in I/O expansion slot 3 and the fabric connector in slot 2 utilize the same connector and only one of the two can be installed at a time.

8008001b-1f08ffff Device [LogicalDeviceElementName] has been removed from unit [PhysicalPackageElementName].

Explanation: The fabric connector for LAN On Motherboard (LOM) in location 2 is not present.

May also be shown as 8008001b1f08ffff or 0x8008001b1f08ffff

Severity: Info

Alert Category: System - Other

Serviceable: No

CIM Information: Prefix: PLAT and ID: 0537

SNMP Trap ID:

Automatically notify Support: No

User response: Informational message.

8008010f-2101ffff • 8008011b-1f07ffff

On a LOM model compute node, if you are utilizing LOM and it is not working ensure you have the necessary fabric connector installed.

- To utilize the LOM:
 - have the LOM model compute node
 - have the corresponding fabric connector installed
- Information regarding the fabric connectors:
 - LOM 1 utilizes the fabric connector in location 1.
 - LOM 2 utilizes the fabric connector in location 2.
 - I/O expansion adaptor in I/O expansion slot 1 and the fabric connector in slot 1 utilize the same connector and only one of the two can be installed at a time.
 - I/O expansion adaptor in I/O expansion slot 3 and the fabric connector in slot 2 utilize the same connector and only one of the two can be installed at a time.

8008010f-2101ffff Device [LogicalDeviceElementName] has been added.

Explanation: The physical presence jumper has been installed in the compute node.

May also be shown as 8008010f2101ffff or 0x8008010f2101ffff

Severity: Info

Alert Category: System - Other

Serviceable: No

CIM Information: Prefix: PLAT and ID: 0536

SNMP Trap ID:

Automatically notify Support: No

User response: Information only; no action is required.

8008011b-1f07ffff Device [LogicalDeviceElementName] has been added.

Explanation: The fabric connector for LAN On Motherboard (LOM) in location 1 is present.

May also be shown as 8008011b1f07ffff or 0x8008011b1f07ffff

Severity: Info

Alert Category: System - Other

Serviceable: No

CIM Information: Prefix: PLAT and ID: 0536

SNMP Trap ID:

Automatically notify Support: No

User response: Informational message.

On a LOM model compute node, if you are utilizing LOM and it is not working ensure you have the necessary fabric connector installed.

- To utilize the LOM:
 - have the LOM model compute node
 - have the corresponding fabric connector installed
- Information regarding the fabric connectors:
 - LOM 1 utilizes the fabric connector in location 1.
 - LOM 2 utilizes the fabric connector in location 2.
 - I/O expansion adaptor in I/O expansion slot 1 and the fabric connector in slot 1 utilize the same connector and only one of the two can be installed at a time.

- I/O expansion adaptor in I/O expansion slot 3 and the fabric connector in slot 2 utilize the same connector and only one of the two can be installed at a time.

8008011b-1f08ffff Device [LogicalDeviceElementName] has been added.

Explanation: The fabric connector for LAN On Motherboard (LOM) in location 2 is present.

May also be shown as 8008011b1f08ffff or 0x8008011b1f08ffff

Severity: Info

Alert Category: System - Other

Serviceable: No

CIM Information: Prefix: PLAT and ID: 0536

SNMP Trap ID:

Automatically notify Support: No

User response: Informational message.

On a LOM model compute node, if you are utilizing LOM and it is not working ensure you have the necessary fabric connector installed.

- To utilize the LOM:
 - have the LOM model compute node
 - have the corresponding fabric connector installed
- Information regarding the fabric connectors:
 - LOM 1 utilizes the fabric connector in location 1.
 - LOM 2 utilizes the fabric connector in location 2.
 - I/O expansion adaptor in I/O expansion slot 1 and the fabric connector in slot 1 utilize the same connector and only one of the two can be installed at a time.
 - I/O expansion adaptor in I/O expansion slot 3 and the fabric connector in slot 2 utilize the same connector and only one of the two can be installed at a time.

80080128-2101ffff Device [LogicalDeviceElementName] has been added.

Explanation: The specified device has been installed in the compute node.

May also be shown as 800801282101ffff or 0x800801282101ffff

Severity: Info

Alert Category: System - Other

Serviceable: No

CIM Information: Prefix: PLAT and ID: 0536

SNMP Trap ID:

Automatically notify Support: No

User response: Information only; no action is required.

8009000c-0701ffff Device [LogicalDeviceElementName] has been disabled.

Explanation: The user has switched from Performance mode to Acoustic mode.

May also be shown as 8009000c0701ffff or 0x8009000c0701ffff

Severity: Info

Alert Category: System - Other

Serviceable: No

CIM Information: Prefix: PLAT and ID: 0539

8009010c-0701ffff • 800a040d-2b81ffff

SNMP Trap ID:

Automatically notify Support: No

User response: Information only; no action is required.

8009010c-0701ffff Device [LogicalDeviceElementName] has been enabled.

Explanation: The user has switched from Acoustic mode to Performance mode.

May also be shown as 8009010c0701ffff or 0x8009010c0701ffff

Severity: Info

Alert Category: System - Other

Serviceable: No

CIM Information: Prefix: PLAT and ID: 0538

SNMP Trap ID:

Automatically notify Support: No

User response: Information only; no action is required.

80090112-2101ffff Device [LogicalDeviceElementName] has been enabled.

Explanation: An IPMI or SNMP Account has been enabled.

May also be shown as 800901122101ffff or 0x800901122101ffff

Severity: Info

Alert Category: System - Other

Serviceable: No

CIM Information: Prefix: PLAT and ID: 0538

SNMP Trap ID:

Automatically notify Support: No

User response: Information only; no action is required.

800a030d-2b81ffff Sensor [SensorElementName] has indicated a on-line state.

Explanation: The FlashDIMM agent indicates a FlashDIMM device has returned back to online.

May also be shown as 800a030d2b81ffff or 0x800a030d2b81ffff

Severity: Info

Alert Category: System - Other

Serviceable: No

CIM Information: Prefix: PLAT and ID: 0546

SNMP Trap ID:

Automatically notify Support: No

User response: Information only; no action is required.

800a040d-2b81ffff Sensor [SensorElementName] has indicated an off-line state.

Explanation: The eXFlash IPMI Proxy Service indicates eXFlash DIMM was placed in maintenance mode.

May also be shown as 800a040d2b81ffff or 0x800a040d2b81ffff

Severity: Info

Alert Category: System - Other

Serviceable: No

CIM Information: Prefix: PLAT and ID: 0548

SNMP Trap ID:

Automatically notify Support: No

User response: Information only; no action is required.

800a060d-2b81ffff Sensor [SensorElementName] has indicated a degraded state.

Explanation: The FlashDIMM agent has indicated a FlashDIMM on Compute Book 1 has transitioned to a degraded state.

May also be shown as 800a060d2b81ffff or 0x800a060d2b81ffff

Severity: Info

Alert Category: System - Other

Serviceable: No

CIM Information: Prefix: PLAT and ID: 0552

SNMP Trap ID:

Automatically notify Support: No

User response: Device has reached end of life and can no longer be written to. The device should be replaced.

800b010c-2581ffff Redundancy Lost for [RedundancySetElementName] has asserted.

Explanation: Redundancy has been lost.

May also be shown as 800b010c2581ffff or 0x800b010c2581ffff

Severity: Error

Alert Category: Critical - Memory

Serviceable: Yes

CIM Information: Prefix: PLAT and ID: 0802

SNMP Trap ID: 41

Automatically notify Support: No

User response: This is a UEFI detected event. The UEFI diagnostic code for this event can be found in the logged IMM message text. Please refer to the UEFI diagnostic code in the "UEFI diagnostic code" section of the Information Center for the appropriate user response.

Related Links:

- "Finding the UEFI diagnostic code" on page 648
-

800b030c-2581ffff Non-redundant:Sufficient Resources from Redundancy Degraded or Fully Redundant for [RedundancySetElementName] has asserted.

Explanation: Backup Memory has transitioned from Redundancy Degraded or Fully Redundant to Non-redundant:Sufficient.

May also be shown as 800b030c2581ffff or 0x800b030c2581ffff

Severity: Warning

Alert Category: Warning - Memory

Serviceable: Yes

CIM Information: Prefix: PLAT and ID: 0806

800b050c-2581ffff • 806f0007-0302ffff

SNMP Trap ID: 43

Automatically notify Support: No

User response: This is a UEFI detected event. The UEFI diagnostic code for this event can be found in the logged IMM message text. Please refer to the UEFI diagnostic code in the "UEFI diagnostic code" section of the Information Center for the appropriate user response.

Related Links:

- "Finding the UEFI diagnostic code" on page 648

800b050c-2581ffff Non-redundant:Insufficient Resources for [RedundancySetElementName] has asserted.

Explanation: Backup Memory Sensor has transitioned to Non-redundant:Insufficient Resources.

May also be shown as 800b050c2581ffff or 0x800b050c2581ffff

Severity: Error

Alert Category: Critical - Memory

Serviceable: Yes

CIM Information: Prefix: PLAT and ID: 0810

SNMP Trap ID: 41

Automatically notify Support: No

User response: This is a UEFI detected event. The UEFI diagnostic code for this event can be found in the logged IMM message text. Please refer to the UEFI diagnostic code in the "UEFI diagnostic code" section of the Information Center for the appropriate user response.

Related Links:

- "Finding the UEFI diagnostic code" on page 648

806f0007-0301ffff [ProcessorElementName] has Failed with IERR.

Explanation: A Processor has Failed - IERR Condition. Processor Failed - IERR Condition.

May also be shown as 806f00070301ffff or 0x806f00070301ffff

Severity: Error

Alert Category: Critical - CPU

Serviceable: Yes

CIM Information: Prefix: PLAT and ID: 0042

SNMP Trap ID: 40

Automatically notify Support: No

User response: This is a UEFI detected event. The UEFI diagnostic code for this event can be found in the logged IMM message text. Please refer to the UEFI diagnostic code in the "UEFI diagnostic code" section of the Information Center for the appropriate user response.

Related Links:

- "Finding the UEFI diagnostic code" on page 648

806f0007-0302ffff [ProcessorElementName] has Failed with IERR.

Explanation: A Processor has Failed - IERR Condition.

May also be shown as 806f00070302ffff or 0x806f00070302ffff

Severity: Error

Alert Category: Critical - CPU

Serviceable: Yes

CIM Information: Prefix: PLAT and ID: 0042

SNMP Trap ID: 40

Automatically notify Support: No

User response: This is a UEFI detected event. The UEFI diagnostic code for this event can be found in the logged IMM message text. Please refer to the UEFI diagnostic code in the "UEFI diagnostic code" section of the Information Center for the appropriate user response.

Related Links:

- "Finding the UEFI diagnostic code" on page 648

806f0009-0701ffff [PowerSupplyElementName] has been turned off.

Explanation: The compute node Host Power has been powered off.

May also be shown as 806f00090701ffff or 0x806f00090701ffff

Severity: Info

Alert Category: System - Power Off

Serviceable: No

CIM Information: Prefix: PLAT and ID: 0106

SNMP Trap ID: 23

Automatically notify Support: No

User response: Information only; no action is required.

806f000d-0400ffff The [StorageVolumeElementName] has been added.

Explanation: Hard disk drive 0 has been installed.

May also be shown as 806f000d0400ffff or 0x806f000d0400ffff

Severity: Info

Alert Category: Critical - Hard Disk drive

Serviceable: No

CIM Information: Prefix: PLAT and ID: 0162

SNMP Trap ID: 5

Automatically notify Support: No

User response: Information only; no action is required.

806f000d-0401ffff The [StorageVolumeElementName] has been added.

Explanation: Hard disk drive 1 has been installed.

May also be shown as 806f000d0401ffff or 0x806f000d0401ffff

Severity: Info

Alert Category: Critical - Hard Disk drive

Serviceable: No

CIM Information: Prefix: PLAT and ID: 0162

SNMP Trap ID: 5

Automatically notify Support: No

User response: Information only; no action is required.

806f000d-0402ffff • 806f000d-0405ffff

806f000d-0402ffff The [StorageVolumeElementName] has been added.

Explanation: Hard disk drive 2 has been installed.

May also be shown as 806f000d0402ffff or 0x806f000d0402ffff

Severity: Info

Alert Category: Critical - Hard Disk drive

Serviceable: No

CIM Information: Prefix: PLAT and ID: 0162

SNMP Trap ID: 5

Automatically notify Support: No

User response: Information only; no action is required.

806f000d-0403ffff The [StorageVolumeElementName] has been added.

Explanation: Hard disk drive 3 has been installed.

May also be shown as 806f000d0403ffff or 0x806f000d0403ffff

Severity: Info

Alert Category: Critical - Hard Disk drive

Serviceable: No

CIM Information: Prefix: PLAT and ID: 0162

SNMP Trap ID: 5

Automatically notify Support: No

User response: Information only; no action is required.

806f000d-0404ffff The [StorageVolumeElementName] has been added.

Explanation: Hard disk drive 4 has been installed.

May also be shown as 806f000d0404ffff or 0x806f000d0404ffff

Severity: Info

Alert Category: Critical - Hard Disk drive

Serviceable: No

CIM Information: Prefix: PLAT and ID: 0162

SNMP Trap ID: 5

Automatically notify Support: No

User response: Information only; no action is required.

806f000d-0405ffff The [StorageVolumeElementName] has been added.

Explanation: Hard disk drive 5 has been installed.

May also be shown as 806f000d0405ffff or 0x806f000d0405ffff

Severity: Info

Alert Category: Critical - Hard Disk drive

Serviceable: No

CIM Information: Prefix: PLAT and ID: 0162

SNMP Trap ID: 5

Automatically notify Support: No

User response: Information only; no action is required.

806f000d-0406ffff The [StorageVolumeElementName] has been added.

Explanation: Hard disk drive 6 has been installed.

May also be shown as 806f000d0406ffff or 0x806f000d0406ffff

Severity: Info

Alert Category: Critical - Hard Disk drive

Serviceable: No

CIM Information: Prefix: PLAT and ID: 0162

SNMP Trap ID: 5

Automatically notify Support: No

User response: Information only; no action is required.

806f000d-0407ffff The [StorageVolumeElementName] has been added.

Explanation: Hard disk drive 7 has been installed.

May also be shown as 806f000d0407ffff or 0x806f000d0407ffff

Severity: Info

Alert Category: Critical - Hard Disk drive

Serviceable: No

CIM Information: Prefix: PLAT and ID: 0162

SNMP Trap ID: 5

Automatically notify Support: No

User response: Information only; no action is required.

806f000f-220100ff The System [ComputerSystemElementName] encountered a POST Error.

Explanation: A Post Error has been detected. ABR Status. Firmware Error.

May also be shown as 806f000f220100ff or 0x806f000f220100ff

Severity: Error

Alert Category: Critical - Other

Serviceable: Yes

CIM Information: Prefix: PLAT and ID: 0184

SNMP Trap ID: 50

Automatically notify Support: No

User response: This is a UEFI detected event. The UEFI diagnostic code for this event can be found in the logged IMM message text. Please refer to the UEFI diagnostic code in the "UEFI diagnostic code" section of the Information Center for the appropriate user response.

Related Links:

- "Finding the UEFI diagnostic code" on page 648
-

806f000f-220101ff The System [ComputerSystemElementName] has detected no memory in the system.

Explanation: No memory was detected in the system.

May also be shown as 806f000f220101ff or 0x806f000f220101ff

Severity: Error

Alert Category: Critical - Memory

Serviceable: Yes

CIM Information: Prefix: PLAT and ID: 0794

SNMP Trap ID: 41

Automatically notify Support: No

User response: This is a UEFI detected event. The UEFI diagnostic code for this event can be found in the logged IMM message text. Please refer to the UEFI diagnostic code in the "UEFI diagnostic code" section of the Information Center for the appropriate user response.

Related Links:

- "Finding the UEFI diagnostic code" on page 648
-

806f000f-220102ff Subsystem [MemoryElementName] has insufficient memory for operation.

Explanation: The usable Memory is insufficient for operation.

May also be shown as 806f000f220102ff or 0x806f000f220102ff

Severity: Error

Alert Category: Critical - Memory

Serviceable: Yes

CIM Information: Prefix: PLAT and ID: 0132

SNMP Trap ID: 41

Automatically notify Support: No

User response: This is a UEFI detected event. The UEFI diagnostic code for this event can be found in the logged IMM message text. Please refer to the UEFI diagnostic code in the "UEFI diagnostic code" section of the Information Center for the appropriate user response.

Related Links:

- "Finding the UEFI diagnostic code" on page 648
-

806f000f-220103ff The System [ComputerSystemElementName] encountered firmware error - unrecoverable boot device failure.

Explanation: A System Firmware Error Unrecoverable boot device failure has occurred.

May also be shown as 806f000f220103ff or 0x806f000f220103ff

Severity: Error

Alert Category: Critical - Hard Disk drive

Serviceable: Yes

CIM Information: Prefix: PLAT and ID: 0770

SNMP Trap ID: 5

Automatically notify Support: No

User response: This is a UEFI detected event. The UEFI diagnostic code for this event can be found in the logged IMM message text. Please refer to the UEFI diagnostic code in the "UEFI diagnostic code" section of the Information Center for the appropriate user response.

Related Links:

- “Finding the UEFI diagnostic code” on page 648

806f000f-220104ff The System [ComputerSystemElementName]has encountered a motherboard failure.

Explanation: A fatal motherboard failure has been detected in the system due to ABR Status or Firmware Error.

May also be shown as 806f000f220104ff or 0x806f000f220104ff

Severity: Error

Alert Category: Critical - Other

Serviceable: Yes

CIM Information: Prefix: PLAT and ID: 0795

SNMP Trap ID: 50

Automatically notify Support: No

User response: This is a UEFI detected event. The UEFI diagnostic code for this event can be found in the logged IMM message text. Please refer to the UEFI diagnostic code in the "UEFI diagnostic code" section of the Information Center for the appropriate user response.

Related Links:

- “Finding the UEFI diagnostic code” on page 648

806f000f-220107ff The System [ComputerSystemElementName] encountered firmware error - unrecoverable keyboard failure.

Explanation: A System Firmware Error Unrecoverable Keyboard failure has occurred.

May also be shown as 806f000f220107ff or 0x806f000f220107ff

Severity: Error

Alert Category: Critical - Other

Serviceable: Yes

CIM Information: Prefix: PLAT and ID: 0764

SNMP Trap ID: 50

Automatically notify Support: No

User response: This is a UEFI detected event. The UEFI diagnostic code for this event can be found in the logged IMM message text. Please refer to the UEFI diagnostic code in the "UEFI diagnostic code" section of the Information Center for the appropriate user response.

Related Links:

- “Finding the UEFI diagnostic code” on page 648

806f000f-22010aff The System [ComputerSystemElementName] encountered firmware error - no video device detected.

Explanation: A system firmware error No video device detected has occurred.

May also be shown as 806f000f22010aff or 0x806f000f22010aff

Severity: Error

Alert Category: Critical - Other

Serviceable: Yes

CIM Information: Prefix: PLAT and ID: 0766

SNMP Trap ID: 50

806f000f-22010bff • 806f000f-2201ffff

Automatically notify Support: No

User response: This is a UEFI detected event. The UEFI diagnostic code for this event can be found in the logged IMM message text. Please refer to the UEFI diagnostic code in the "UEFI diagnostic code" section of the Information Center for the appropriate user response.

Related Links:

- "Finding the UEFI diagnostic code" on page 648

806f000f-22010bff Firmware BIOS (ROM) corruption was detected on system [ComputerSystemElementName] during POST.

Explanation: Firmware BIOS (ROM) corruption was detected on the system during POST.

May also be shown as 806f000f22010bff or 0x806f000f22010bff

Severity: Error

Alert Category: Critical - Other

Serviceable: Yes

CIM Information: Prefix: PLAT and ID: 0850

SNMP Trap ID: 50

Automatically notify Support: No

User response: This is a UEFI detected event. The UEFI diagnostic code for this event can be found in the logged IMM message text. Please refer to the UEFI diagnostic code in the "UEFI diagnostic code" section of the Information Center for the appropriate user response.

Related Links:

- "Finding the UEFI diagnostic code" on page 648

806f000f-22010cff CPU voltage mismatch detected on [ProcessorElementName].

Explanation: A CPU voltage mismatch with the socket voltage has been detected.

May also be shown as 806f000f22010cff or 0x806f000f22010cff

Severity: Error

Alert Category: Critical - CPU

Serviceable: Yes

CIM Information: Prefix: PLAT and ID: 0050

SNMP Trap ID: 40

Automatically notify Support: No

User response: This is a UEFI detected event. The UEFI diagnostic code for this event can be found in the logged IMM message text. Please refer to the UEFI diagnostic code in the "UEFI diagnostic code" section of the Information Center for the appropriate user response.

Related Links:

- "Finding the UEFI diagnostic code" on page 648

806f000f-2201ffff The System [ComputerSystemElementName] encountered a POST Error.

Explanation: A Post Error has been detected. ABR Status. Firmware Error.

May also be shown as 806f000f2201ffff or 0x806f000f2201ffff

Severity: Error

Alert Category: Critical - Other

Serviceable: Yes

CIM Information: Prefix: PLAT and ID: 0184

SNMP Trap ID: 50

Automatically notify Support: No

User response: This is a UEFI detected event. The UEFI diagnostic code for this event can be found in the logged IMM message text. Please refer to the UEFI diagnostic code in the "UEFI diagnostic code" section of the Information Center for the appropriate user response.

Related Links:

- "Finding the UEFI diagnostic code" on page 648

806f0013-1701ffff A diagnostic interrupt has occurred on system [ComputerSystemElementName].

Explanation: The user has pressed the NMI button, or the NMI button has malfunctioned.

May also be shown as 806f00131701ffff or 0x806f00131701ffff

Severity: Error

Alert Category: Critical - Other

Serviceable: Yes

CIM Information: Prefix: PLAT and ID: 0222

SNMP Trap ID: 50

Automatically notify Support: No

User response: If the NMI button on the operator information panel has not been pressed, complete the following steps:

1. Make sure that the NMI button is not pressed.
2. Replace the system board.

806f001e-2201ffff No bootable media available for system [ComputerSystemElementName].

Explanation: No boot device has been detected in the system.

May also be shown as 806f001e2201ffff or 0x806f001e2201ffff

Severity: Info

Alert Category: System - Other

Serviceable: No

CIM Information: Prefix: PLAT and ID: 0286

SNMP Trap ID:

Automatically notify Support: No

User response: Please install and configure a boot media, and attempt to power on and boot the server, again.

806f0021-1201ffff Fault in slot [PhysicalConnectorSystemElementName] on system [ComputerSystemElementName].

Explanation: A SMP scaling connector fault has been detected in the system.

May also be shown as 806f00211201ffff or 0x806f00211201ffff

Severity: Error

Alert Category: Critical - Other

Serviceable: Yes

CIM Information: Prefix: PLAT and ID: 0330

SNMP Trap ID: 50

806f0021-2201ffff • 806f0021-25820902

Automatically notify Support: Yes

User response: Verify system SMP scaling and system configuration match. If SMP connector has been removed then confirm each system node configured for standalone operation.

806f0021-2201ffff Fault in slot [PhysicalConnectorSystemElementName] on system [ComputerSystemElementName].

Explanation: A fault in a slot has been detected. No Op ROM Space.

May also be shown as 806f00212201ffff or 0x806f00212201ffff

Severity: Error

Alert Category: Critical - Other

Serviceable: Yes

CIM Information: Prefix: PLAT and ID: 0330

SNMP Trap ID: 50

Automatically notify Support: Yes

User response: This is a UEFI detected event. The UEFI diagnostic code for this event can be found in the logged IMM message text. Please refer to the UEFI diagnostic code in the "UEFI diagnostic code" section of the Information Center for the appropriate user response.

Related Links:

- "Finding the UEFI diagnostic code" on page 648

806f0021-25820901 Fault in slot [PhysicalConnectorSystemElementName] on system [ComputerSystemElementName].

Explanation: A fault in a slot has been detected. PCIe error.

May also be shown as 806f002125820901 or 0x806f002125820901

Severity: Error

Alert Category: Critical - Other

Serviceable: Yes

CIM Information: Prefix: PLAT and ID: 0330

SNMP Trap ID: 50

Automatically notify Support: Yes

User response: This is a UEFI detected event. The UEFI diagnostic code for this event can be found in the logged IMM message text. Please refer to the UEFI diagnostic code in the "UEFI diagnostic code" section of the Information Center for the appropriate user response.

Related Links:

- "Finding the UEFI diagnostic code" on page 648

806f0021-25820902 Fault in slot [PhysicalConnectorSystemElementName] on system [ComputerSystemElementName].

Explanation: A fault in a slot has been detected. PCIe error.

May also be shown as 806f002125820902 or 0x806f002125820902

Severity: Error

Alert Category: Critical - Other

Serviceable: Yes

CIM Information: Prefix: PLAT and ID: 0330

SNMP Trap ID: 50

Automatically notify Support: Yes

User response: This is a UEFI detected event. The UEFI diagnostic code for this event can be found in the logged IMM message text. Please refer to the UEFI diagnostic code in the "UEFI diagnostic code" section of the Information Center for the appropriate user response.

Related Links:

- "Finding the UEFI diagnostic code" on page 648

806f0021-25820903 Fault in slot [PhysicalConnectorSystemElementName] on system [ComputerSystemElementName].

Explanation: A fault in a slot has been detected. PCIe error.

May also be shown as 806f002125820903 or 0x806f002125820903

Severity: Error

Alert Category: Critical - Other

Serviceable: Yes

CIM Information: Prefix: PLAT and ID: 0330

SNMP Trap ID: 50

Automatically notify Support: Yes

User response: This is a UEFI detected event. The UEFI diagnostic code for this event can be found in the logged IMM message text. Please refer to the UEFI diagnostic code in the "UEFI diagnostic code" section of the Information Center for the appropriate user response.

Related Links:

- "Finding the UEFI diagnostic code" on page 648

806f0021-2582ffff Fault in slot [PhysicalConnectorSystemElementName] on system [ComputerSystemElementName].

Explanation: A fault in a slot has been detected. PCIe error.

May also be shown as 806f00212582ffff or 0x806f00212582ffff

Severity: Error

Alert Category: Critical - Other

Serviceable: Yes

CIM Information: Prefix: PLAT and ID: 0330

SNMP Trap ID: 50

Automatically notify Support: Yes

User response: This is a UEFI detected event. The UEFI diagnostic code for this event can be found in the logged IMM message text. Please refer to the UEFI diagnostic code in the "UEFI diagnostic code" section of the Information Center for the appropriate user response.

Related Links:

- "Finding the UEFI diagnostic code" on page 648

806f0023-2101ffff Watchdog Timer expired for [WatchdogElementName].

Explanation: The IPMI watchdog timer has expired.

May also be shown as 806f00232101ffff or 0x806f00232101ffff

Severity: Info

806f0028-2101ffff • 806f0107-0301ffff

Alert Category: System - Other

Serviceable: No

CIM Information: Prefix: PLAT and ID: 0368

SNMP Trap ID:

Automatically notify Support: No

User response: Information only; no action is required.

806f0028-2101ffff Sensor [SensorElementName] is unavailable or degraded on management system [ComputerSystemElementName].

Explanation: TPM initialization or start up commands have failed.

May also be shown as 806f00282101ffff or 0x806f00282101ffff

Severity: Warning

Alert Category: Warning - Other

Serviceable: Yes

CIM Information: Prefix: PLAT and ID: 0398

SNMP Trap ID: 60

Automatically notify Support: No

User response:

1. Reboot the system.
 2. If error persists, or boot is unsuccessful, (Trained service technician only) Replace the system board..
-

806f002b-2101ffff A hardware change occurred on system [ComputerSystemElementName].

Explanation: The Scale Config sensor reports a Hardware Changed occurred.

May also be shown as 806f002b2101ffff or 0x806f002b2101ffff

Severity: Info

Alert Category: System - Other

Serviceable: No

CIM Information: Prefix: PLAT and ID: 0436

SNMP Trap ID:

Automatically notify Support: No

User response: Information only; no action is required.

806f0107-0301ffff An Over-Temperature Condition has been detected on [ProcessorElementName].

Explanation: The temperature of microprocessor 1 has exceeded the critical level, causing a hard shutdown of the compute node.

May also be shown as 806f01070301ffff or 0x806f01070301ffff

Severity: Error

Alert Category: Critical - Temperature

Serviceable: Yes

CIM Information: Prefix: PLAT and ID: 0036

SNMP Trap ID: 0

Automatically notify Support: No

User response: Complete the following steps until the problem is solved:

1. Check the Chassis Management Module or Flex System Manager event log for any fan- or cooling-related issues.
2. Make sure that the airflow at the front and rear of the chassis is not obstructed and that fillers are in place and correctly installed.
3. Make sure that the room temperature is within operating specifications.
4. Make sure that the microprocessor 1 heat sink is securely installed.
5. Make sure that the microprocessor 1 heat sink is installed correctly and the thermal material is correctly applied.
6. Replace microprocessor 1.

806f0107-0302ffff An Over-Temperature Condition has been detected on [ProcessorElementName].

Explanation: The temperature of microprocessor 2 has exceeded the critical level, causing a hard shutdown of the compute node.

May also be shown as 806f01070302ffff or 0x806f01070302ffff

Severity: Error

Alert Category: Critical - Temperature

Serviceable: Yes

CIM Information: Prefix: PLAT and ID: 0036

SNMP Trap ID: 0

Automatically notify Support: No

User response: Complete the following steps until the problem is solved:

1. Check the Chassis Management Module or Flex System Manager event log for any fan- or cooling-related issues.
2. Make sure that the airflow at the front and rear of the chassis is not obstructed and that fillers are in place and correctly installed.
3. Make sure that the room temperature is within operating specifications.
4. Make sure that the microprocessor heat sink is securely installed.
5. Make sure that the microprocessor heat sink is installed correctly and the thermal material is correctly applied.
6. Replace microprocessor 2.

806f0107-2584ffff An Over-Temperature Condition has been detected on [ProcessorElementName].

Explanation: The temperature of the specified microprocessor has risen above its specified threshold.

May also be shown as 806f01072584ffff or 0x806f01072584ffff

Severity: Error

Alert Category: Critical - Temperature

Serviceable: Yes

CIM Information: Prefix: PLAT and ID: 0036

SNMP Trap ID: 0

Automatically notify Support: No

User response: Complete the following steps until the problem is solved:

1. Check the Chassis Management Module or Flex System Manager event log for any fan- or cooling-related issues.
2. Make sure that the airflow at the front and rear of the chassis is not obstructed and that fillers are in place and correctly installed.
3. Make sure that the room temperature is within operating specifications.
4. Make sure that the heat sink for the specified microprocessor is securely installed.
5. Make sure that the heat sink for the specified microprocessor is installed correctly and the thermal material is correctly applied.

806f0109-0701ffff • 806f010c-2001ffff

6. Replace the specified microprocessor.

806f0109-0701ffff [PowerSupplyElementName] has been Power Cycled.

Explanation: The compute node Host Power has been powered off and powered on.

May also be shown as 806f01090701ffff or 0x806f01090701ffff

Severity: Info

Alert Category: System - Other

Serviceable: No

CIM Information: Prefix: PLAT and ID: 0108

SNMP Trap ID:

Automatically notify Support: No

User response: Information only; no action is required. Host Power :

806f010c-200101ff Uncorrectable error detected for [PhysicalMemoryElementName] on Subsystem [MemoryElementName].

Explanation: An uncorrectable memory error has been detected.

May also be shown as 806f010c200101ff or 0x806f010c200101ff

Severity: Error

Alert Category: Critical - Memory

Serviceable: Yes

CIM Information: Prefix: PLAT and ID: 0138

SNMP Trap ID: 41

Automatically notify Support: Yes

User response: This is a UEFI detected event. The UEFI diagnostic code for this event can be found in the logged IMM message text. Please refer to the UEFI diagnostic code in the "UEFI diagnostic code" section of the Information Center for the appropriate user response.

Related Links:

- "Finding the UEFI diagnostic code" on page 648

806f010c-2001ffff Uncorrectable error detected for [PhysicalMemoryElementName] on Subsystem [MemoryElementName].

Explanation: An uncorrectable memory error has been detected.

May also be shown as 806f010c2001ffff or 0x806f010c2001ffff

Severity: Error

Alert Category: Critical - Memory

Serviceable: Yes

CIM Information: Prefix: PLAT and ID: 0138

SNMP Trap ID: 41

Automatically notify Support: Yes

User response: This is a UEFI detected event. The UEFI diagnostic code for this event can be found in the logged IMM message text. Please refer to the UEFI diagnostic code in the "UEFI diagnostic code" section of the Information Center for the appropriate user response.

Related Links:

- “Finding the UEFI diagnostic code” on page 648

806f010c-2002ffff Uncorrectable error detected for [PhysicalMemoryElementName] on Subsystem [MemoryElementName].

Explanation: An uncorrectable memory error has been detected.

May also be shown as 806f010c2002ffff or 0x806f010c2002ffff

Severity: Error

Alert Category: Critical - Memory

Serviceable: Yes

CIM Information: Prefix: PLAT and ID: 0138

SNMP Trap ID: 41

Automatically notify Support: Yes

User response: This is a UEFI detected event. The UEFI diagnostic code for this event can be found in the logged IMM message text. Please refer to the UEFI diagnostic code in the "UEFI diagnostic code" section of the Information Center for the appropriate user response.

Related Links:

- “Finding the UEFI diagnostic code” on page 648

806f010c-2003ffff Uncorrectable error detected for [PhysicalMemoryElementName] on Subsystem [MemoryElementName].

Explanation: An uncorrectable memory error has been detected.

May also be shown as 806f010c2003ffff or 0x806f010c2003ffff

Severity: Error

Alert Category: Critical - Memory

Serviceable: Yes

CIM Information: Prefix: PLAT and ID: 0138

SNMP Trap ID: 41

Automatically notify Support: Yes

User response: This is a UEFI detected event. The UEFI diagnostic code for this event can be found in the logged IMM message text. Please refer to the UEFI diagnostic code in the "UEFI diagnostic code" section of the Information Center for the appropriate user response.

Related Links:

- “Finding the UEFI diagnostic code” on page 648

806f010c-200401ff Uncorrectable error detected for [PhysicalMemoryElementName] on Subsystem [MemoryElementName].

Explanation: An uncorrectable memory error has been detected.

May also be shown as 806f010c200401ff or 0x806f010c200401ff

Severity: Error

Alert Category: Critical - Memory

Serviceable: Yes

CIM Information: Prefix: PLAT and ID: 0138

SNMP Trap ID: 41

Automatically notify Support: Yes

806f010c-2004ffff • 806f010c-2006ffff

User response: This is a UEFI detected event. The UEFI diagnostic code for this event can be found in the logged IMM message text. Please refer to the UEFI diagnostic code in the "UEFI diagnostic code" section of the Information Center for the appropriate user response.

Related Links:

- "Finding the UEFI diagnostic code" on page 648

806f010c-2004ffff Uncorrectable error detected for [PhysicalMemoryElementName] on Subsystem [MemoryElementName].

Explanation: An uncorrectable memory error has been detected.

May also be shown as 806f010c2004ffff or 0x806f010c2004ffff

Severity: Error

Alert Category: Critical - Memory

Serviceable: Yes

CIM Information: Prefix: PLAT and ID: 0138

SNMP Trap ID: 41

Automatically notify Support: Yes

User response: This is a UEFI detected event. The UEFI diagnostic code for this event can be found in the logged IMM message text. Please refer to the UEFI diagnostic code in the "UEFI diagnostic code" section of the Information Center for the appropriate user response.

Related Links:

- "Finding the UEFI diagnostic code" on page 648

806f010c-2005ffff Uncorrectable error detected for [PhysicalMemoryElementName] on Subsystem [MemoryElementName].

Explanation: An uncorrectable memory error has been detected.

May also be shown as 806f010c2005ffff or 0x806f010c2005ffff

Severity: Error

Alert Category: Critical - Memory

Serviceable: Yes

CIM Information: Prefix: PLAT and ID: 0138

SNMP Trap ID: 41

Automatically notify Support: Yes

User response: This is a UEFI detected event. The UEFI diagnostic code for this event can be found in the logged IMM message text. Please refer to the UEFI diagnostic code in the "UEFI diagnostic code" section of the Information Center for the appropriate user response.

Related Links:

- "Finding the UEFI diagnostic code" on page 648

806f010c-2006ffff Uncorrectable error detected for [PhysicalMemoryElementName] on Subsystem [MemoryElementName].

Explanation: An uncorrectable memory error has been detected.

May also be shown as 806f010c2006ffff or 0x806f010c2006ffff

Severity: Error

Alert Category: Critical - Memory

Serviceable: Yes

CIM Information: Prefix: PLAT and ID: 0138

SNMP Trap ID: 41

Automatically notify Support: Yes

User response: This is a UEFI detected event. The UEFI diagnostic code for this event can be found in the logged IMM message text. Please refer to the UEFI diagnostic code in the "UEFI diagnostic code" section of the Information Center for the appropriate user response.

Related Links:

- "Finding the UEFI diagnostic code" on page 648

806f010c-200701ff Uncorrectable error detected for [PhysicalMemoryElementName] on Subsystem [MemoryElementName].

Explanation: An uncorrectable memory error has been detected.

May also be shown as 806f010c200701ff or 0x806f010c200701ff

Severity: Error

Alert Category: Critical - Memory

Serviceable: Yes

CIM Information: Prefix: PLAT and ID: 0138

SNMP Trap ID: 41

Automatically notify Support: Yes

User response: This is a UEFI detected event. The UEFI diagnostic code for this event can be found in the logged IMM message text. Please refer to the UEFI diagnostic code in the "UEFI diagnostic code" section of the Information Center for the appropriate user response.

Related Links:

- "Finding the UEFI diagnostic code" on page 648

806f010c-2007ffff Uncorrectable error detected for [PhysicalMemoryElementName] on Subsystem [MemoryElementName].

Explanation: An uncorrectable memory error has been detected.

May also be shown as 806f010c2007ffff or 0x806f010c2007ffff

Severity: Error

Alert Category: Critical - Memory

Serviceable: Yes

CIM Information: Prefix: PLAT and ID: 0138

SNMP Trap ID: 41

Automatically notify Support: Yes

User response: This is a UEFI detected event. The UEFI diagnostic code for this event can be found in the logged IMM message text. Please refer to the UEFI diagnostic code in the "UEFI diagnostic code" section of the Information Center for the appropriate user response.

Related Links:

- "Finding the UEFI diagnostic code" on page 648

806f010c-200801ff Uncorrectable error detected for [PhysicalMemoryElementName] on Subsystem [MemoryElementName].

Explanation: An uncorrectable memory error has been detected.

May also be shown as 806f010c200801ff or 0x806f010c200801ff

Severity: Error

Alert Category: Critical - Memory

Serviceable: Yes

CIM Information: Prefix: PLAT and ID: 0138

SNMP Trap ID: 41

Automatically notify Support: Yes

User response: This is a UEFI detected event. The UEFI diagnostic code for this event can be found in the logged IMM message text. Please refer to the UEFI diagnostic code in the "UEFI diagnostic code" section of the Information Center for the appropriate user response.

Related Links:

- "Finding the UEFI diagnostic code" on page 648
-

806f010c-2008ffff Uncorrectable error detected for [PhysicalMemoryElementName] on Subsystem [MemoryElementName].

Explanation: An uncorrectable memory error has been detected.

May also be shown as 806f010c2008ffff or 0x806f010c2008ffff

Severity: Error

Alert Category: Critical - Memory

Serviceable: Yes

CIM Information: Prefix: PLAT and ID: 0138

SNMP Trap ID: 41

Automatically notify Support: Yes

User response: This is a UEFI detected event. The UEFI diagnostic code for this event can be found in the logged IMM message text. Please refer to the UEFI diagnostic code in the "UEFI diagnostic code" section of the Information Center for the appropriate user response.

Related Links:

- "Finding the UEFI diagnostic code" on page 648
-

806f010c-200901ff Uncorrectable error detected for [PhysicalMemoryElementName] on Subsystem [MemoryElementName].

Explanation: An uncorrectable memory error has been detected.

May also be shown as 806f010c200901ff or 0x806f010c200901ff

Severity: Error

Alert Category: Critical - Memory

Serviceable: Yes

CIM Information: Prefix: PLAT and ID: 0138

SNMP Trap ID: 41

Automatically notify Support: Yes

User response: This is a UEFI detected event. The UEFI diagnostic code for this event can be found in the logged

IMM message text. Please refer to the UEFI diagnostic code in the "UEFI diagnostic code" section of the Information Center for the appropriate user response.

Related Links:

- "Finding the UEFI diagnostic code" on page 648

806f010c-2009ffff Uncorrectable error detected for [PhysicalMemoryElementName] on Subsystem [MemoryElementName].

Explanation: An uncorrectable memory error has been detected.

May also be shown as 806f010c2009ffff or 0x806f010c2009ffff

Severity: Error

Alert Category: Critical - Memory

Serviceable: Yes

CIM Information: Prefix: PLAT and ID: 0138

SNMP Trap ID: 41

Automatically notify Support: Yes

User response: This is a UEFI detected event. The UEFI diagnostic code for this event can be found in the logged IMM message text. Please refer to the UEFI diagnostic code in the "UEFI diagnostic code" section of the Information Center for the appropriate user response.

Related Links:

- "Finding the UEFI diagnostic code" on page 648

806f010c-200a01ff Uncorrectable error detected for [PhysicalMemoryElementName] on Subsystem [MemoryElementName].

Explanation: An uncorrectable memory error has been detected.

May also be shown as 806f010c200a01ff or 0x806f010c200a01ff

Severity: Error

Alert Category: Critical - Memory

Serviceable: Yes

CIM Information: Prefix: PLAT and ID: 0138

SNMP Trap ID: 41

Automatically notify Support: Yes

User response: This is a UEFI detected event. The UEFI diagnostic code for this event can be found in the logged IMM message text. Please refer to the UEFI diagnostic code in the "UEFI diagnostic code" section of the Information Center for the appropriate user response.

Related Links:

- "Finding the UEFI diagnostic code" on page 648

806f010c-200affff Uncorrectable error detected for [PhysicalMemoryElementName] on Subsystem [MemoryElementName].

Explanation: An uncorrectable memory error has been detected.

May also be shown as 806f010c200affff or 0x806f010c200affff

Severity: Error

Alert Category: Critical - Memory

Serviceable: Yes

806f010c-200b01ff • 806f010c-200bffff

CIM Information: Prefix: PLAT and ID: 0138

SNMP Trap ID: 41

Automatically notify Support: Yes

User response: This is a UEFI detected event. The UEFI diagnostic code for this event can be found in the logged IMM message text. Please refer to the UEFI diagnostic code in the "UEFI diagnostic code" section of the Information Center for the appropriate user response.

Related Links:

- "Finding the UEFI diagnostic code" on page 648

806f010c-200b01ff Uncorrectable error detected for [PhysicalMemoryElementName] on Subsystem [MemoryElementName].

Explanation: An uncorrectable memory error has been detected.

May also be shown as 806f010c200b01ff or 0x806f010c200b01ff

Severity: Error

Alert Category: Critical - Memory

Serviceable: Yes

CIM Information: Prefix: PLAT and ID: 0138

SNMP Trap ID: 41

Automatically notify Support: Yes

User response: This is a UEFI detected event. The UEFI diagnostic code for this event can be found in the logged IMM message text. Please refer to the UEFI diagnostic code in the "UEFI diagnostic code" section of the Information Center for the appropriate user response.

Related Links:

- "Finding the UEFI diagnostic code" on page 648

806f010c-200bffff Uncorrectable error detected for [PhysicalMemoryElementName] on Subsystem [MemoryElementName].

Explanation: An uncorrectable memory error has been detected.

May also be shown as 806f010c200bffff or 0x806f010c200bffff

Severity: Error

Alert Category: Critical - Memory

Serviceable: Yes

CIM Information: Prefix: PLAT and ID: 0138

SNMP Trap ID: 41

Automatically notify Support: Yes

User response: This is a UEFI detected event. The UEFI diagnostic code for this event can be found in the logged IMM message text. Please refer to the UEFI diagnostic code in the "UEFI diagnostic code" section of the Information Center for the appropriate user response.

Related Links:

- "Finding the UEFI diagnostic code" on page 648

806f010c-200c01ff Uncorrectable error detected for [PhysicalMemoryElementName] on Subsystem [MemoryElementName].

Explanation: An uncorrectable memory error has been detected.

May also be shown as 806f010c200c01ff or 0x806f010c200c01ff

Severity: Error

Alert Category: Critical - Memory

Serviceable: Yes

CIM Information: Prefix: PLAT and ID: 0138

SNMP Trap ID: 41

Automatically notify Support: Yes

User response: This is a UEFI detected event. The UEFI diagnostic code for this event can be found in the logged IMM message text. Please refer to the UEFI diagnostic code in the "UEFI diagnostic code" section of the Information Center for the appropriate user response.

Related Links:

- "Finding the UEFI diagnostic code" on page 648

806f010c-200cffff Uncorrectable error detected for [PhysicalMemoryElementName] on Subsystem [MemoryElementName].

Explanation: An uncorrectable memory error has been detected.

May also be shown as 806f010c200cffff or 0x806f010c200cffff

Severity: Error

Alert Category: Critical - Memory

Serviceable: Yes

CIM Information: Prefix: PLAT and ID: 0138

SNMP Trap ID: 41

Automatically notify Support: Yes

User response: This is a UEFI detected event. The UEFI diagnostic code for this event can be found in the logged IMM message text. Please refer to the UEFI diagnostic code in the "UEFI diagnostic code" section of the Information Center for the appropriate user response.

Related Links:

- "Finding the UEFI diagnostic code" on page 648

806f010c-200d02ff Uncorrectable error detected for [PhysicalMemoryElementName] on Subsystem [MemoryElementName].

Explanation: An uncorrectable memory error has been detected.

May also be shown as 806f010c200d02ff or 0x806f010c200d02ff

Severity: Error

Alert Category: Critical - Memory

Serviceable: Yes

CIM Information: Prefix: PLAT and ID: 0138

SNMP Trap ID: 41

Automatically notify Support: Yes

User response: This is a UEFI detected event. The UEFI diagnostic code for this event can be found in the logged

806f010c-200dffff • 806f010c-200f02ff

IMM message text. Please refer to the UEFI diagnostic code in the "UEFI diagnostic code" section of the Information Center for the appropriate user response.

Related Links:

- "Finding the UEFI diagnostic code" on page 648

806f010c-200dffff Uncorrectable error detected for [PhysicalMemoryElementName] on Subsystem [MemoryElementName].

Explanation: An uncorrectable memory error has been detected.

May also be shown as 806f010c200dffff or 0x806f010c200dffff

Severity: Error

Alert Category: Critical - Memory

Serviceable: Yes

CIM Information: Prefix: PLAT and ID: 0138

SNMP Trap ID: 41

Automatically notify Support: Yes

User response: This is a UEFI detected event. The UEFI diagnostic code for this event can be found in the logged IMM message text. Please refer to the UEFI diagnostic code in the "UEFI diagnostic code" section of the Information Center for the appropriate user response.

Related Links:

- "Finding the UEFI diagnostic code" on page 648

806f010c-200effff Uncorrectable error detected for [PhysicalMemoryElementName] on Subsystem [MemoryElementName].

Explanation: An uncorrectable memory error has been detected.

May also be shown as 806f010c200effff or 0x806f010c200effff

Severity: Error

Alert Category: Critical - Memory

Serviceable: Yes

CIM Information: Prefix: PLAT and ID: 0138

SNMP Trap ID: 41

Automatically notify Support: Yes

User response: This is a UEFI detected event. The UEFI diagnostic code for this event can be found in the logged IMM message text. Please refer to the UEFI diagnostic code in the "UEFI diagnostic code" section of the Information Center for the appropriate user response.

Related Links:

- "Finding the UEFI diagnostic code" on page 648

806f010c-200f02ff Uncorrectable error detected for [PhysicalMemoryElementName] on Subsystem [MemoryElementName].

Explanation: An uncorrectable memory error has been detected.

May also be shown as 806f010c200f02ff or 0x806f010c200f02ff

Severity: Error

Alert Category: Critical - Memory

Serviceable: Yes

CIM Information: Prefix: PLAT and ID: 0138

SNMP Trap ID: 41

Automatically notify Support: Yes

User response: This is a UEFI detected event. The UEFI diagnostic code for this event can be found in the logged IMM message text. Please refer to the UEFI diagnostic code in the "UEFI diagnostic code" section of the Information Center for the appropriate user response.

Related Links:

- "Finding the UEFI diagnostic code" on page 648

806f010c-200ffff Uncorrectable error detected for [PhysicalMemoryElementName] on Subsystem [MemoryElementName].

Explanation: An uncorrectable memory error has been detected.

May also be shown as 806f010c200ffff or 0x806f010c200ffff

Severity: Error

Alert Category: Critical - Memory

Serviceable: Yes

CIM Information: Prefix: PLAT and ID: 0138

SNMP Trap ID: 41

Automatically notify Support: Yes

User response: This is a UEFI detected event. The UEFI diagnostic code for this event can be found in the logged IMM message text. Please refer to the UEFI diagnostic code in the "UEFI diagnostic code" section of the Information Center for the appropriate user response.

Related Links:

- "Finding the UEFI diagnostic code" on page 648

806f010c-201002ff Uncorrectable error detected for [PhysicalMemoryElementName] on Subsystem [MemoryElementName].

Explanation: An uncorrectable memory error has been detected.

May also be shown as 806f010c201002ff or 0x806f010c201002ff

Severity: Error

Alert Category: Critical - Memory

Serviceable: Yes

CIM Information: Prefix: PLAT and ID: 0138

SNMP Trap ID: 41

Automatically notify Support: Yes

User response: This is a UEFI detected event. The UEFI diagnostic code for this event can be found in the logged IMM message text. Please refer to the UEFI diagnostic code in the "UEFI diagnostic code" section of the Information Center for the appropriate user response.

Related Links:

- "Finding the UEFI diagnostic code" on page 648

806f010c-2010ffff Uncorrectable error detected for [PhysicalMemoryElementName] on Subsystem [MemoryElementName].

Explanation: An uncorrectable memory error has been detected.

May also be shown as 806f010c2010ffff or 0x806f010c2010ffff

Severity: Error

Alert Category: Critical - Memory

Serviceable: Yes

CIM Information: Prefix: PLAT and ID: 0138

SNMP Trap ID: 41

Automatically notify Support: Yes

User response: This is a UEFI detected event. The UEFI diagnostic code for this event can be found in the logged IMM message text. Please refer to the UEFI diagnostic code in the "UEFI diagnostic code" section of the Information Center for the appropriate user response.

Related Links:

- "Finding the UEFI diagnostic code" on page 648
-

806f010c-2011ffff Uncorrectable error detected for [PhysicalMemoryElementName] on Subsystem [MemoryElementName].

Explanation: An uncorrectable memory error has been detected.

May also be shown as 806f010c2011ffff or 0x806f010c2011ffff

Severity: Error

Alert Category: Critical - Memory

Serviceable: Yes

CIM Information: Prefix: PLAT and ID: 0138

SNMP Trap ID: 41

Automatically notify Support: Yes

User response: This is a UEFI detected event. The UEFI diagnostic code for this event can be found in the logged IMM message text. Please refer to the UEFI diagnostic code in the "UEFI diagnostic code" section of the Information Center for the appropriate user response.

Related Links:

- "Finding the UEFI diagnostic code" on page 648
-

806f010c-201202ff Uncorrectable error detected for [PhysicalMemoryElementName] on Subsystem [MemoryElementName].

Explanation: An uncorrectable memory error has been detected.

May also be shown as 806f010c201202ff or 0x806f010c201202ff

Severity: Error

Alert Category: Critical - Memory

Serviceable: Yes

CIM Information: Prefix: PLAT and ID: 0138

SNMP Trap ID: 41

Automatically notify Support: Yes

User response: This is a UEFI detected event. The UEFI diagnostic code for this event can be found in the logged

IMM message text. Please refer to the UEFI diagnostic code in the "UEFI diagnostic code" section of the Information Center for the appropriate user response.

Related Links:

- "Finding the UEFI diagnostic code" on page 648

806f010c-2012ffff Uncorrectable error detected for [PhysicalMemoryElementName] on Subsystem [MemoryElementName].

Explanation: An uncorrectable memory error has been detected.

May also be shown as 806f010c2012ffff or 0x806f010c2012ffff

Severity: Error

Alert Category: Critical - Memory

Serviceable: Yes

CIM Information: Prefix: PLAT and ID: 0138

SNMP Trap ID: 41

Automatically notify Support: Yes

User response: This is a UEFI detected event. The UEFI diagnostic code for this event can be found in the logged IMM message text. Please refer to the UEFI diagnostic code in the "UEFI diagnostic code" section of the Information Center for the appropriate user response.

Related Links:

- "Finding the UEFI diagnostic code" on page 648

806f010c-201302ff Uncorrectable error detected for [PhysicalMemoryElementName] on Subsystem [MemoryElementName].

Explanation: An uncorrectable memory error has been detected.

May also be shown as 806f010c201302ff or 0x806f010c201302ff

Severity: Error

Alert Category: Critical - Memory

Serviceable: Yes

CIM Information: Prefix: PLAT and ID: 0138

SNMP Trap ID: 41

Automatically notify Support: Yes

User response: This is a UEFI detected event. The UEFI diagnostic code for this event can be found in the logged IMM message text. Please refer to the UEFI diagnostic code in the "UEFI diagnostic code" section of the Information Center for the appropriate user response.

Related Links:

- "Finding the UEFI diagnostic code" on page 648

806f010c-2013ffff Uncorrectable error detected for [PhysicalMemoryElementName] on Subsystem [MemoryElementName].

Explanation: An uncorrectable memory error has been detected.

May also be shown as 806f010c2013ffff or 0x806f010c2013ffff

Severity: Error

Alert Category: Critical - Memory

Serviceable: Yes

806f010c-2014ffff • 806f010c-201502ff

CIM Information: Prefix: PLAT and ID: 0138

SNMP Trap ID: 41

Automatically notify Support: Yes

User response: This is a UEFI detected event. The UEFI diagnostic code for this event can be found in the logged IMM message text. Please refer to the UEFI diagnostic code in the "UEFI diagnostic code" section of the Information Center for the appropriate user response.

Related Links:

- "Finding the UEFI diagnostic code" on page 648

806f010c-2014ffff Uncorrectable error detected for [PhysicalMemoryElementName] on Subsystem [MemoryElementName].

Explanation: An uncorrectable memory error has been detected.

May also be shown as 806f010c2014ffff or 0x806f010c2014ffff

Severity: Error

Alert Category: Critical - Memory

Serviceable: Yes

CIM Information: Prefix: PLAT and ID: 0138

SNMP Trap ID: 41

Automatically notify Support: Yes

User response: This is a UEFI detected event. The UEFI diagnostic code for this event can be found in the logged IMM message text. Please refer to the UEFI diagnostic code in the "UEFI diagnostic code" section of the Information Center for the appropriate user response.

Related Links:

- "Finding the UEFI diagnostic code" on page 648

806f010c-201502ff Uncorrectable error detected for [PhysicalMemoryElementName] on Subsystem [MemoryElementName].

Explanation: An uncorrectable memory error has been detected.

May also be shown as 806f010c201502ff or 0x806f010c201502ff

Severity: Error

Alert Category: Critical - Memory

Serviceable: Yes

CIM Information: Prefix: PLAT and ID: 0138

SNMP Trap ID: 41

Automatically notify Support: Yes

User response: This is a UEFI detected event. The UEFI diagnostic code for this event can be found in the logged IMM message text. Please refer to the UEFI diagnostic code in the "UEFI diagnostic code" section of the Information Center for the appropriate user response.

Related Links:

- "Finding the UEFI diagnostic code" on page 648

806f010c-2015ffff Uncorrectable error detected for [PhysicalMemoryElementName] on Subsystem [MemoryElementName].

Explanation: An uncorrectable memory error has been detected.

May also be shown as 806f010c2015ffff or 0x806f010c2015ffff

Severity: Error

Alert Category: Critical - Memory

Serviceable: Yes

CIM Information: Prefix: PLAT and ID: 0138

SNMP Trap ID: 41

Automatically notify Support: Yes

User response: This is a UEFI detected event. The UEFI diagnostic code for this event can be found in the logged IMM message text. Please refer to the UEFI diagnostic code in the "UEFI diagnostic code" section of the Information Center for the appropriate user response.

Related Links:

- "Finding the UEFI diagnostic code" on page 648

806f010c-201602ff Uncorrectable error detected for [PhysicalMemoryElementName] on Subsystem [MemoryElementName].

Explanation: An uncorrectable memory error has been detected.

May also be shown as 806f010c201602ff or 0x806f010c201602ff

Severity: Error

Alert Category: Critical - Memory

Serviceable: Yes

CIM Information: Prefix: PLAT and ID: 0138

SNMP Trap ID: 41

Automatically notify Support: Yes

User response: This is a UEFI detected event. The UEFI diagnostic code for this event can be found in the logged IMM message text. Please refer to the UEFI diagnostic code in the "UEFI diagnostic code" section of the Information Center for the appropriate user response.

Related Links:

- "Finding the UEFI diagnostic code" on page 648

806f010c-2016ffff Uncorrectable error detected for [PhysicalMemoryElementName] on Subsystem [MemoryElementName].

Explanation: An uncorrectable memory error has been detected.

May also be shown as 806f010c2016ffff or 0x806f010c2016ffff

Severity: Error

Alert Category: Critical - Memory

Serviceable: Yes

CIM Information: Prefix: PLAT and ID: 0138

SNMP Trap ID: 41

Automatically notify Support: Yes

User response: This is a UEFI detected event. The UEFI diagnostic code for this event can be found in the logged

806f010c-2017ffff • 806f010c-2018ffff

IMM message text. Please refer to the UEFI diagnostic code in the "UEFI diagnostic code" section of the Information Center for the appropriate user response.

Related Links:

- "Finding the UEFI diagnostic code" on page 648

806f010c-2017ffff Uncorrectable error detected for [PhysicalMemoryElementName] on Subsystem [MemoryElementName].

Explanation: An uncorrectable memory error has been detected.

May also be shown as 806f010c2017ffff or 0x806f010c2017ffff

Severity: Error

Alert Category: Critical - Memory

Serviceable: Yes

CIM Information: Prefix: PLAT and ID: 0138

SNMP Trap ID: 41

Automatically notify Support: Yes

User response: This is a UEFI detected event. The UEFI diagnostic code for this event can be found in the logged IMM message text. Please refer to the UEFI diagnostic code in the "UEFI diagnostic code" section of the Information Center for the appropriate user response.

Related Links:

- "Finding the UEFI diagnostic code" on page 648

806f010c-201802ff Uncorrectable error detected for [PhysicalMemoryElementName] on Subsystem [MemoryElementName].

Explanation: An uncorrectable memory error has been detected.

May also be shown as 806f010c201802ff or 0x806f010c201802ff

Severity: Error

Alert Category: Critical - Memory

Serviceable: Yes

CIM Information: Prefix: PLAT and ID: 0138

SNMP Trap ID: 41

Automatically notify Support: Yes

User response: This is a UEFI detected event. The UEFI diagnostic code for this event can be found in the logged IMM message text. Please refer to the UEFI diagnostic code in the "UEFI diagnostic code" section of the Information Center for the appropriate user response.

Related Links:

- "Finding the UEFI diagnostic code" on page 648

806f010c-2018ffff Uncorrectable error detected for [PhysicalMemoryElementName] on Subsystem [MemoryElementName].

Explanation: An uncorrectable memory error has been detected.

May also be shown as 806f010c2018ffff or 0x806f010c2018ffff

Severity: Error

Alert Category: Critical - Memory

Serviceable: Yes

CIM Information: Prefix: PLAT and ID: 0138

SNMP Trap ID: 41

Automatically notify Support: Yes

User response: This is a UEFI detected event. The UEFI diagnostic code for this event can be found in the logged IMM message text. Please refer to the UEFI diagnostic code in the "UEFI diagnostic code" section of the Information Center for the appropriate user response.

Related Links:

- "Finding the UEFI diagnostic code" on page 648

806f010c-201901ff Uncorrectable error detected for [PhysicalMemoryElementName] on Subsystem [MemoryElementName].

Explanation: An uncorrectable memory error has been detected.

May also be shown as 806f010c201901ff or 0x806f010c201901ff

Severity: Error

Alert Category: Critical - Memory

Serviceable: Yes

CIM Information: Prefix: PLAT and ID: 0138

SNMP Trap ID: 41

Automatically notify Support: Yes

User response: This is a UEFI detected event. The UEFI diagnostic code for this event can be found in the logged IMM message text. Please refer to the UEFI diagnostic code in the "UEFI diagnostic code" section of the Information Center for the appropriate user response.

Related Links:

- "Finding the UEFI diagnostic code" on page 648

806f010c-2019ffff Uncorrectable error detected for [PhysicalMemoryElementName] on Subsystem [MemoryElementName].

Explanation: An uncorrectable memory error has been detected.

May also be shown as 806f010c2019ffff or 0x806f010c2019ffff

Severity: Error

Alert Category: Critical - Memory

Serviceable: Yes

CIM Information: Prefix: PLAT and ID: 0138

SNMP Trap ID: 41

Automatically notify Support: Yes

User response: This is a UEFI detected event. The UEFI diagnostic code for this event can be found in the logged IMM message text. Please refer to the UEFI diagnostic code in the "UEFI diagnostic code" section of the Information Center for the appropriate user response.

Related Links:

- "Finding the UEFI diagnostic code" on page 648

806f010c-201a01ff Uncorrectable error detected for [PhysicalMemoryElementName] on Subsystem [MemoryElementName].

Explanation: An uncorrectable memory error has been detected.

May also be shown as 806f010c201a01ff or 0x806f010c201a01ff

Severity: Error

Alert Category: Critical - Memory

Serviceable: Yes

CIM Information: Prefix: PLAT and ID: 0138

SNMP Trap ID: 41

Automatically notify Support: Yes

User response: This is a UEFI detected event. The UEFI diagnostic code for this event can be found in the logged IMM message text. Please refer to the UEFI diagnostic code in the "UEFI diagnostic code" section of the Information Center for the appropriate user response.

Related Links:

- "Finding the UEFI diagnostic code" on page 648
-

806f010c-201affff Uncorrectable error detected for [PhysicalMemoryElementName] on Subsystem [MemoryElementName].

Explanation: An uncorrectable memory error has been detected.

May also be shown as 806f010c201affff or 0x806f010c201affff

Severity: Error

Alert Category: Critical - Memory

Serviceable: Yes

CIM Information: Prefix: PLAT and ID: 0138

SNMP Trap ID: 41

Automatically notify Support: Yes

User response: This is a UEFI detected event. The UEFI diagnostic code for this event can be found in the logged IMM message text. Please refer to the UEFI diagnostic code in the "UEFI diagnostic code" section of the Information Center for the appropriate user response.

Related Links:

- "Finding the UEFI diagnostic code" on page 648
-

806f010c-201b01ff Uncorrectable error detected for [PhysicalMemoryElementName] on Subsystem [MemoryElementName].

Explanation: An uncorrectable memory error has been detected.

May also be shown as 806f010c201b01ff or 0x806f010c201b01ff

Severity: Error

Alert Category: Critical - Memory

Serviceable: Yes

CIM Information: Prefix: PLAT and ID: 0138

SNMP Trap ID: 41

Automatically notify Support: Yes

User response: This is a UEFI detected event. The UEFI diagnostic code for this event can be found in the logged

IMM message text. Please refer to the UEFI diagnostic code in the "UEFI diagnostic code" section of the Information Center for the appropriate user response.

Related Links:

- "Finding the UEFI diagnostic code" on page 648

806f010c-201bffff Uncorrectable error detected for [PhysicalMemoryElementName] on Subsystem [MemoryElementName].

Explanation: An uncorrectable memory error has been detected.

May also be shown as 806f010c201bffff or 0x806f010c201bffff

Severity: Error

Alert Category: Critical - Memory

Serviceable: Yes

CIM Information: Prefix: PLAT and ID: 0138

SNMP Trap ID: 41

Automatically notify Support: Yes

User response: This is a UEFI detected event. The UEFI diagnostic code for this event can be found in the logged IMM message text. Please refer to the UEFI diagnostic code in the "UEFI diagnostic code" section of the Information Center for the appropriate user response.

Related Links:

- "Finding the UEFI diagnostic code" on page 648

806f010c-201c01ff Uncorrectable error detected for [PhysicalMemoryElementName] on Subsystem [MemoryElementName].

Explanation: An uncorrectable memory error has been detected.

May also be shown as 806f010c201c01ff or 0x806f010c201c01ff

Severity: Error

Alert Category: Critical - Memory

Serviceable: Yes

CIM Information: Prefix: PLAT and ID: 0138

SNMP Trap ID: 41

Automatically notify Support: Yes

User response: This is a UEFI detected event. The UEFI diagnostic code for this event can be found in the logged IMM message text. Please refer to the UEFI diagnostic code in the "UEFI diagnostic code" section of the Information Center for the appropriate user response.

Related Links:

- "Finding the UEFI diagnostic code" on page 648

806f010c-201cffff Uncorrectable error detected for [PhysicalMemoryElementName] on Subsystem [MemoryElementName].

Explanation: An uncorrectable memory error has been detected.

May also be shown as 806f010c201cffff or 0x806f010c201cffff

Severity: Error

Alert Category: Critical - Memory

Serviceable: Yes

806f010c-201d01ff • 806f010c-201dffff

CIM Information: Prefix: PLAT and ID: 0138

SNMP Trap ID: 41

Automatically notify Support: Yes

User response: This is a UEFI detected event. The UEFI diagnostic code for this event can be found in the logged IMM message text. Please refer to the UEFI diagnostic code in the "UEFI diagnostic code" section of the Information Center for the appropriate user response.

Related Links:

- "Finding the UEFI diagnostic code" on page 648

806f010c-201d01ff Uncorrectable error detected for [PhysicalMemoryElementName] on Subsystem [MemoryElementName].

Explanation: An uncorrectable memory error has been detected.

May also be shown as 806f010c201d01ff or 0x806f010c201d01ff

Severity: Error

Alert Category: Critical - Memory

Serviceable: Yes

CIM Information: Prefix: PLAT and ID: 0138

SNMP Trap ID: 41

Automatically notify Support: Yes

User response: This is a UEFI detected event. The UEFI diagnostic code for this event can be found in the logged IMM message text. Please refer to the UEFI diagnostic code in the "UEFI diagnostic code" section of the Information Center for the appropriate user response.

Related Links:

- "Finding the UEFI diagnostic code" on page 648

806f010c-201dffff Uncorrectable error detected for [PhysicalMemoryElementName] on Subsystem [MemoryElementName].

Explanation: An uncorrectable memory error has been detected.

May also be shown as 806f010c201dffff or 0x806f010c201dffff

Severity: Error

Alert Category: Critical - Memory

Serviceable: Yes

CIM Information: Prefix: PLAT and ID: 0138

SNMP Trap ID: 41

Automatically notify Support: Yes

User response: This is a UEFI detected event. The UEFI diagnostic code for this event can be found in the logged IMM message text. Please refer to the UEFI diagnostic code in the "UEFI diagnostic code" section of the Information Center for the appropriate user response.

Related Links:

- "Finding the UEFI diagnostic code" on page 648

806f010c-201e01ff Uncorrectable error detected for [PhysicalMemoryElementName] on Subsystem [MemoryElementName].

Explanation: An uncorrectable memory error has been detected.

May also be shown as 806f010c201e01ff or 0x806f010c201e01ff

Severity: Error

Alert Category: Critical - Memory

Serviceable: Yes

CIM Information: Prefix: PLAT and ID: 0138

SNMP Trap ID: 41

Automatically notify Support: Yes

User response: This is a UEFI detected event. The UEFI diagnostic code for this event can be found in the logged IMM message text. Please refer to the UEFI diagnostic code in the "UEFI diagnostic code" section of the Information Center for the appropriate user response.

Related Links:

- "Finding the UEFI diagnostic code" on page 648

806f010c-201effff Uncorrectable error detected for [PhysicalMemoryElementName] on Subsystem [MemoryElementName].

Explanation: An uncorrectable memory error has been detected.

May also be shown as 806f010c201effff or 0x806f010c201effff

Severity: Error

Alert Category: Critical - Memory

Serviceable: Yes

CIM Information: Prefix: PLAT and ID: 0138

SNMP Trap ID: 41

Automatically notify Support: Yes

User response: This is a UEFI detected event. The UEFI diagnostic code for this event can be found in the logged IMM message text. Please refer to the UEFI diagnostic code in the "UEFI diagnostic code" section of the Information Center for the appropriate user response.

Related Links:

- "Finding the UEFI diagnostic code" on page 648

806f010c-201f01ff Uncorrectable error detected for [PhysicalMemoryElementName] on Subsystem [MemoryElementName].

Explanation: An uncorrectable memory error has been detected.

May also be shown as 806f010c201f01ff or 0x806f010c201f01ff

Severity: Error

Alert Category: Critical - Memory

Serviceable: Yes

CIM Information: Prefix: PLAT and ID: 0138

SNMP Trap ID: 41

Automatically notify Support: Yes

User response: This is a UEFI detected event. The UEFI diagnostic code for this event can be found in the logged

806f010c-201ffff • 806f010c-2020ffff

IMM message text. Please refer to the UEFI diagnostic code in the "UEFI diagnostic code" section of the Information Center for the appropriate user response.

Related Links:

- "Finding the UEFI diagnostic code" on page 648

806f010c-201ffff Uncorrectable error detected for [PhysicalMemoryElementName] on Subsystem [MemoryElementName].

Explanation: An uncorrectable memory error has been detected.

May also be shown as 806f010c201ffff or 0x806f010c201ffff

Severity: Error

Alert Category: Critical - Memory

Serviceable: Yes

CIM Information: Prefix: PLAT and ID: 0138

SNMP Trap ID: 41

Automatically notify Support: Yes

User response: This is a UEFI detected event. The UEFI diagnostic code for this event can be found in the logged IMM message text. Please refer to the UEFI diagnostic code in the "UEFI diagnostic code" section of the Information Center for the appropriate user response.

Related Links:

- "Finding the UEFI diagnostic code" on page 648

806f010c-202001ff Uncorrectable error detected for [PhysicalMemoryElementName] on Subsystem [MemoryElementName].

Explanation: An uncorrectable memory error has been detected.

May also be shown as 806f010c202001ff or 0x806f010c202001ff

Severity: Error

Alert Category: Critical - Memory

Serviceable: Yes

CIM Information: Prefix: PLAT and ID: 0138

SNMP Trap ID: 41

Automatically notify Support: Yes

User response: This is a UEFI detected event. The UEFI diagnostic code for this event can be found in the logged IMM message text. Please refer to the UEFI diagnostic code in the "UEFI diagnostic code" section of the Information Center for the appropriate user response.

Related Links:

- "Finding the UEFI diagnostic code" on page 648

806f010c-2020ffff Uncorrectable error detected for [PhysicalMemoryElementName] on Subsystem [MemoryElementName].

Explanation: An uncorrectable memory error has been detected.

May also be shown as 806f010c2020ffff or 0x806f010c2020ffff

Severity: Error

Alert Category: Critical - Memory

Serviceable: Yes

CIM Information: Prefix: PLAT and ID: 0138

SNMP Trap ID: 41

Automatically notify Support: Yes

User response: This is a UEFI detected event. The UEFI diagnostic code for this event can be found in the logged IMM message text. Please refer to the UEFI diagnostic code in the "UEFI diagnostic code" section of the Information Center for the appropriate user response.

Related Links:

- "Finding the UEFI diagnostic code" on page 648

806f010c-202101ff Uncorrectable error detected for [PhysicalMemoryElementName] on Subsystem [MemoryElementName].

Explanation: An uncorrectable memory error has been detected.

May also be shown as 806f010c202101ff or 0x806f010c202101ff

Severity: Error

Alert Category: Critical - Memory

Serviceable: Yes

CIM Information: Prefix: PLAT and ID: 0138

SNMP Trap ID: 41

Automatically notify Support: Yes

User response: This is a UEFI detected event. The UEFI diagnostic code for this event can be found in the logged IMM message text. Please refer to the UEFI diagnostic code in the "UEFI diagnostic code" section of the Information Center for the appropriate user response.

Related Links:

- "Finding the UEFI diagnostic code" on page 648

806f010c-2021ffff Uncorrectable error detected for [PhysicalMemoryElementName] on Subsystem [MemoryElementName].

Explanation: An uncorrectable memory error has been detected.

May also be shown as 806f010c2021ffff or 0x806f010c2021ffff

Severity: Error

Alert Category: Critical - Memory

Serviceable: Yes

CIM Information: Prefix: PLAT and ID: 0138

SNMP Trap ID: 41

Automatically notify Support: Yes

User response: This is a UEFI detected event. The UEFI diagnostic code for this event can be found in the logged IMM message text. Please refer to the UEFI diagnostic code in the "UEFI diagnostic code" section of the Information Center for the appropriate user response.

Related Links:

- "Finding the UEFI diagnostic code" on page 648

806f010c-2022ffff Uncorrectable error detected for [PhysicalMemoryElementName] on Subsystem [MemoryElementName].

Explanation: An uncorrectable memory error has been detected.

May also be shown as 806f010c2022ffff or 0x806f010c2022ffff

Severity: Error

Alert Category: Critical - Memory

Serviceable: Yes

CIM Information: Prefix: PLAT and ID: 0138

SNMP Trap ID: 41

Automatically notify Support: Yes

User response: This is a UEFI detected event. The UEFI diagnostic code for this event can be found in the logged IMM message text. Please refer to the UEFI diagnostic code in the "UEFI diagnostic code" section of the Information Center for the appropriate user response.

Related Links:

- "Finding the UEFI diagnostic code" on page 648
-

806f010c-202301ff Uncorrectable error detected for [PhysicalMemoryElementName] on Subsystem [MemoryElementName].

Explanation: An uncorrectable memory error has been detected.

May also be shown as 806f010c202301ff or 0x806f010c202301ff

Severity: Error

Alert Category: Critical - Memory

Serviceable: Yes

CIM Information: Prefix: PLAT and ID: 0138

SNMP Trap ID: 41

Automatically notify Support: Yes

User response: This is a UEFI detected event. The UEFI diagnostic code for this event can be found in the logged IMM message text. Please refer to the UEFI diagnostic code in the "UEFI diagnostic code" section of the Information Center for the appropriate user response.

Related Links:

- "Finding the UEFI diagnostic code" on page 648
-

806f010c-2023ffff Uncorrectable error detected for [PhysicalMemoryElementName] on Subsystem [MemoryElementName].

Explanation: An uncorrectable memory error has been detected.

May also be shown as 806f010c2023ffff or 0x806f010c2023ffff

Severity: Error

Alert Category: Critical - Memory

Serviceable: Yes

CIM Information: Prefix: PLAT and ID: 0138

SNMP Trap ID: 41

Automatically notify Support: Yes

User response: This is a UEFI detected event. The UEFI diagnostic code for this event can be found in the logged

IMM message text. Please refer to the UEFI diagnostic code in the "UEFI diagnostic code" section of the Information Center for the appropriate user response.

Related Links:

- "Finding the UEFI diagnostic code" on page 648

806f010c-2024ffff Uncorrectable error detected for [PhysicalMemoryElementName] on Subsystem [MemoryElementName].

Explanation: An uncorrectable memory error has been detected.

May also be shown as 806f010c2024ffff or 0x806f010c2024ffff

Severity: Error

Alert Category: Critical - Memory

Serviceable: Yes

CIM Information: Prefix: PLAT and ID: 0138

SNMP Trap ID: 41

Automatically notify Support: Yes

User response: This is a UEFI detected event. The UEFI diagnostic code for this event can be found in the logged IMM message text. Please refer to the UEFI diagnostic code in the "UEFI diagnostic code" section of the Information Center for the appropriate user response.

Related Links:

- "Finding the UEFI diagnostic code" on page 648

806f010c-202502ff Uncorrectable error detected for [PhysicalMemoryElementName] on Subsystem [MemoryElementName].

Explanation: An uncorrectable memory error has been detected.

May also be shown as 806f010c202502ff or 0x806f010c202502ff

Severity: Error

Alert Category: Critical - Memory

Serviceable: Yes

CIM Information: Prefix: PLAT and ID: 0138

SNMP Trap ID: 41

Automatically notify Support: Yes

User response: This is a UEFI detected event. The UEFI diagnostic code for this event can be found in the logged IMM message text. Please refer to the UEFI diagnostic code in the "UEFI diagnostic code" section of the Information Center for the appropriate user response.

Related Links:

- "Finding the UEFI diagnostic code" on page 648

806f010c-2025ffff Uncorrectable error detected for [PhysicalMemoryElementName] on Subsystem [MemoryElementName].

Explanation: An uncorrectable memory error has been detected.

May also be shown as 806f010c2025ffff or 0x806f010c2025ffff

Severity: Error

Alert Category: Critical - Memory

Serviceable: Yes

806f010c-202602ff • 806f010c-2026ffff

CIM Information: Prefix: PLAT and ID: 0138

SNMP Trap ID: 41

Automatically notify Support: Yes

User response: This is a UEFI detected event. The UEFI diagnostic code for this event can be found in the logged IMM message text. Please refer to the UEFI diagnostic code in the "UEFI diagnostic code" section of the Information Center for the appropriate user response.

Related Links:

- "Finding the UEFI diagnostic code" on page 648

806f010c-202602ff Uncorrectable error detected for [PhysicalMemoryElementName] on Subsystem [MemoryElementName].

Explanation: An uncorrectable memory error has been detected.

May also be shown as 806f010c202602ff or 0x806f010c202602ff

Severity: Error

Alert Category: Critical - Memory

Serviceable: Yes

CIM Information: Prefix: PLAT and ID: 0138

SNMP Trap ID: 41

Automatically notify Support: Yes

User response: This is a UEFI detected event. The UEFI diagnostic code for this event can be found in the logged IMM message text. Please refer to the UEFI diagnostic code in the "UEFI diagnostic code" section of the Information Center for the appropriate user response.

Related Links:

- "Finding the UEFI diagnostic code" on page 648

806f010c-2026ffff Uncorrectable error detected for [PhysicalMemoryElementName] on Subsystem [MemoryElementName].

Explanation: An uncorrectable memory error has been detected.

May also be shown as 806f010c2026ffff or 0x806f010c2026ffff

Severity: Error

Alert Category: Critical - Memory

Serviceable: Yes

CIM Information: Prefix: PLAT and ID: 0138

SNMP Trap ID: 41

Automatically notify Support: Yes

User response: This is a UEFI detected event. The UEFI diagnostic code for this event can be found in the logged IMM message text. Please refer to the UEFI diagnostic code in the "UEFI diagnostic code" section of the Information Center for the appropriate user response.

Related Links:

- "Finding the UEFI diagnostic code" on page 648

806f010c-202702ff Uncorrectable error detected for [PhysicalMemoryElementName] on Subsystem [MemoryElementName].

Explanation: An uncorrectable memory error has been detected.

May also be shown as 806f010c202702ff or 0x806f010c202702ff

Severity: Error

Alert Category: Critical - Memory

Serviceable: Yes

CIM Information: Prefix: PLAT and ID: 0138

SNMP Trap ID: 41

Automatically notify Support: Yes

User response: This is a UEFI detected event. The UEFI diagnostic code for this event can be found in the logged IMM message text. Please refer to the UEFI diagnostic code in the "UEFI diagnostic code" section of the Information Center for the appropriate user response.

Related Links:

- "Finding the UEFI diagnostic code" on page 648

806f010c-2027ffff Uncorrectable error detected for [PhysicalMemoryElementName] on Subsystem [MemoryElementName].

Explanation: An uncorrectable memory error has been detected.

May also be shown as 806f010c2027ffff or 0x806f010c2027ffff

Severity: Error

Alert Category: Critical - Memory

Serviceable: Yes

CIM Information: Prefix: PLAT and ID: 0138

SNMP Trap ID: 41

Automatically notify Support: Yes

User response: This is a UEFI detected event. The UEFI diagnostic code for this event can be found in the logged IMM message text. Please refer to the UEFI diagnostic code in the "UEFI diagnostic code" section of the Information Center for the appropriate user response.

Related Links:

- "Finding the UEFI diagnostic code" on page 648

806f010c-202802ff Uncorrectable error detected for [PhysicalMemoryElementName] on Subsystem [MemoryElementName].

Explanation: An uncorrectable memory error has been detected.

May also be shown as 806f010c202802ff or 0x806f010c202802ff

Severity: Error

Alert Category: Critical - Memory

Serviceable: Yes

CIM Information: Prefix: PLAT and ID: 0138

SNMP Trap ID: 41

Automatically notify Support: Yes

User response: This is a UEFI detected event. The UEFI diagnostic code for this event can be found in the logged

806f010c-2028ffff • 806f010c-2029ffff

IMM message text. Please refer to the UEFI diagnostic code in the "UEFI diagnostic code" section of the Information Center for the appropriate user response.

Related Links:

- "Finding the UEFI diagnostic code" on page 648

806f010c-2028ffff Uncorrectable error detected for [PhysicalMemoryElementName] on Subsystem [MemoryElementName].

Explanation: An uncorrectable memory error has been detected.

May also be shown as 806f010c2028ffff or 0x806f010c2028ffff

Severity: Error

Alert Category: Critical - Memory

Serviceable: Yes

CIM Information: Prefix: PLAT and ID: 0138

SNMP Trap ID: 41

Automatically notify Support: Yes

User response: This is a UEFI detected event. The UEFI diagnostic code for this event can be found in the logged IMM message text. Please refer to the UEFI diagnostic code in the "UEFI diagnostic code" section of the Information Center for the appropriate user response.

Related Links:

- "Finding the UEFI diagnostic code" on page 648

806f010c-202902ff Uncorrectable error detected for [PhysicalMemoryElementName] on Subsystem [MemoryElementName].

Explanation: An uncorrectable memory error has been detected.

May also be shown as 806f010c202902ff or 0x806f010c202902ff

Severity: Error

Alert Category: Critical - Memory

Serviceable: Yes

CIM Information: Prefix: PLAT and ID: 0138

SNMP Trap ID: 41

Automatically notify Support: Yes

User response: This is a UEFI detected event. The UEFI diagnostic code for this event can be found in the logged IMM message text. Please refer to the UEFI diagnostic code in the "UEFI diagnostic code" section of the Information Center for the appropriate user response.

Related Links:

- "Finding the UEFI diagnostic code" on page 648

806f010c-2029ffff Uncorrectable error detected for [PhysicalMemoryElementName] on Subsystem [MemoryElementName].

Explanation: An uncorrectable memory error has been detected.

May also be shown as 806f010c2029ffff or 0x806f010c2029ffff

Severity: Error

Alert Category: Critical - Memory

Serviceable: Yes

CIM Information: Prefix: PLAT and ID: 0138

SNMP Trap ID: 41

Automatically notify Support: Yes

User response: This is a UEFI detected event. The UEFI diagnostic code for this event can be found in the logged IMM message text. Please refer to the UEFI diagnostic code in the "UEFI diagnostic code" section of the Information Center for the appropriate user response.

Related Links:

- "Finding the UEFI diagnostic code" on page 648

806f010c-202a02ff Uncorrectable error detected for [PhysicalMemoryElementName] on Subsystem [MemoryElementName].

Explanation: An uncorrectable memory error has been detected.

May also be shown as 806f010c202a02ff or 0x806f010c202a02ff

Severity: Error

Alert Category: Critical - Memory

Serviceable: Yes

CIM Information: Prefix: PLAT and ID: 0138

SNMP Trap ID: 41

Automatically notify Support: Yes

User response: This is a UEFI detected event. The UEFI diagnostic code for this event can be found in the logged IMM message text. Please refer to the UEFI diagnostic code in the "UEFI diagnostic code" section of the Information Center for the appropriate user response.

Related Links:

- "Finding the UEFI diagnostic code" on page 648

806f010c-202affff Uncorrectable error detected for [PhysicalMemoryElementName] on Subsystem [MemoryElementName].

Explanation: An uncorrectable memory error has been detected.

May also be shown as 806f010c202affff or 0x806f010c202affff

Severity: Error

Alert Category: Critical - Memory

Serviceable: Yes

CIM Information: Prefix: PLAT and ID: 0138

SNMP Trap ID: 41

Automatically notify Support: Yes

User response: This is a UEFI detected event. The UEFI diagnostic code for this event can be found in the logged IMM message text. Please refer to the UEFI diagnostic code in the "UEFI diagnostic code" section of the Information Center for the appropriate user response.

Related Links:

- "Finding the UEFI diagnostic code" on page 648

806f010c-202b02ff Uncorrectable error detected for [PhysicalMemoryElementName] on Subsystem [MemoryElementName].

Explanation: An uncorrectable memory error has been detected.

May also be shown as 806f010c202b02ff or 0x806f010c202b02ff

Severity: Error

Alert Category: Critical - Memory

Serviceable: Yes

CIM Information: Prefix: PLAT and ID: 0138

SNMP Trap ID: 41

Automatically notify Support: Yes

User response: This is a UEFI detected event. The UEFI diagnostic code for this event can be found in the logged IMM message text. Please refer to the UEFI diagnostic code in the "UEFI diagnostic code" section of the Information Center for the appropriate user response.

Related Links:

- "Finding the UEFI diagnostic code" on page 648
-

806f010c-202bffff Uncorrectable error detected for [PhysicalMemoryElementName] on Subsystem [MemoryElementName].

Explanation: An uncorrectable memory error has been detected.

May also be shown as 806f010c202bffff or 0x806f010c202bffff

Severity: Error

Alert Category: Critical - Memory

Serviceable: Yes

CIM Information: Prefix: PLAT and ID: 0138

SNMP Trap ID: 41

Automatically notify Support: Yes

User response: This is a UEFI detected event. The UEFI diagnostic code for this event can be found in the logged IMM message text. Please refer to the UEFI diagnostic code in the "UEFI diagnostic code" section of the Information Center for the appropriate user response.

Related Links:

- "Finding the UEFI diagnostic code" on page 648
-

806f010c-202c02ff Uncorrectable error detected for [PhysicalMemoryElementName] on Subsystem [MemoryElementName].

Explanation: An uncorrectable memory error has been detected.

May also be shown as 806f010c202c02ff or 0x806f010c202c02ff

Severity: Error

Alert Category: Critical - Memory

Serviceable: Yes

CIM Information: Prefix: PLAT and ID: 0138

SNMP Trap ID: 41

Automatically notify Support: Yes

User response: This is a UEFI detected event. The UEFI diagnostic code for this event can be found in the logged

IMM message text. Please refer to the UEFI diagnostic code in the "UEFI diagnostic code" section of the Information Center for the appropriate user response.

Related Links:

- "Finding the UEFI diagnostic code" on page 648

806f010c-202cffff Uncorrectable error detected for [PhysicalMemoryElementName] on Subsystem [MemoryElementName].

Explanation: An uncorrectable memory error has been detected.

May also be shown as 806f010c202cffff or 0x806f010c202cffff

Severity: Error

Alert Category: Critical - Memory

Serviceable: Yes

CIM Information: Prefix: PLAT and ID: 0138

SNMP Trap ID: 41

Automatically notify Support: Yes

User response: This is a UEFI detected event. The UEFI diagnostic code for this event can be found in the logged IMM message text. Please refer to the UEFI diagnostic code in the "UEFI diagnostic code" section of the Information Center for the appropriate user response.

Related Links:

- "Finding the UEFI diagnostic code" on page 648

806f010c-202d02ff Uncorrectable error detected for [PhysicalMemoryElementName] on Subsystem [MemoryElementName].

Explanation: An uncorrectable memory error has been detected.

May also be shown as 806f010c202d02ff or 0x806f010c202d02ff

Severity: Error

Alert Category: Critical - Memory

Serviceable: Yes

CIM Information: Prefix: PLAT and ID: 0138

SNMP Trap ID: 41

Automatically notify Support: Yes

User response: This is a UEFI detected event. The UEFI diagnostic code for this event can be found in the logged IMM message text. Please refer to the UEFI diagnostic code in the "UEFI diagnostic code" section of the Information Center for the appropriate user response.

Related Links:

- "Finding the UEFI diagnostic code" on page 648

806f010c-202dffff Uncorrectable error detected for [PhysicalMemoryElementName] on Subsystem [MemoryElementName].

Explanation: An uncorrectable memory error has been detected.

May also be shown as 806f010c202dffff or 0x806f010c202dffff

Severity: Error

Alert Category: Critical - Memory

Serviceable: Yes

806f010c-202e02ff • 806f010c-202effff

CIM Information: Prefix: PLAT and ID: 0138

SNMP Trap ID: 41

Automatically notify Support: Yes

User response: This is a UEFI detected event. The UEFI diagnostic code for this event can be found in the logged IMM message text. Please refer to the UEFI diagnostic code in the "UEFI diagnostic code" section of the Information Center for the appropriate user response.

Related Links:

- "Finding the UEFI diagnostic code" on page 648

806f010c-202e02ff Uncorrectable error detected for [PhysicalMemoryElementName] on Subsystem [MemoryElementName].

Explanation: An uncorrectable memory error has been detected.

May also be shown as 806f010c202e02ff or 0x806f010c202e02ff

Severity: Error

Alert Category: Critical - Memory

Serviceable: Yes

CIM Information: Prefix: PLAT and ID: 0138

SNMP Trap ID: 41

Automatically notify Support: Yes

User response: This is a UEFI detected event. The UEFI diagnostic code for this event can be found in the logged IMM message text. Please refer to the UEFI diagnostic code in the "UEFI diagnostic code" section of the Information Center for the appropriate user response.

Related Links:

- "Finding the UEFI diagnostic code" on page 648

806f010c-202effff Uncorrectable error detected for [PhysicalMemoryElementName] on Subsystem [MemoryElementName].

Explanation: An uncorrectable memory error has been detected.

May also be shown as 806f010c202effff or 0x806f010c202effff

Severity: Error

Alert Category: Critical - Memory

Serviceable: Yes

CIM Information: Prefix: PLAT and ID: 0138

SNMP Trap ID: 41

Automatically notify Support: Yes

User response: This is a UEFI detected event. The UEFI diagnostic code for this event can be found in the logged IMM message text. Please refer to the UEFI diagnostic code in the "UEFI diagnostic code" section of the Information Center for the appropriate user response.

Related Links:

- "Finding the UEFI diagnostic code" on page 648

806f010c-202f02ff Uncorrectable error detected for [PhysicalMemoryElementName] on Subsystem [MemoryElementName].

Explanation: An uncorrectable memory error has been detected.

May also be shown as 806f010c202f02ff or 0x806f010c202f02ff

Severity: Error

Alert Category: Critical - Memory

Serviceable: Yes

CIM Information: Prefix: PLAT and ID: 0138

SNMP Trap ID: 41

Automatically notify Support: Yes

User response: This is a UEFI detected event. The UEFI diagnostic code for this event can be found in the logged IMM message text. Please refer to the UEFI diagnostic code in the "UEFI diagnostic code" section of the Information Center for the appropriate user response.

Related Links:

- "Finding the UEFI diagnostic code" on page 648

806f010c-202fffff Uncorrectable error detected for [PhysicalMemoryElementName] on Subsystem [MemoryElementName].

Explanation: An uncorrectable memory error has been detected.

May also be shown as 806f010c202fffff or 0x806f010c202fffff

Severity: Error

Alert Category: Critical - Memory

Serviceable: Yes

CIM Information: Prefix: PLAT and ID: 0138

SNMP Trap ID: 41

Automatically notify Support: Yes

User response: This is a UEFI detected event. The UEFI diagnostic code for this event can be found in the logged IMM message text. Please refer to the UEFI diagnostic code in the "UEFI diagnostic code" section of the Information Center for the appropriate user response.

Related Links:

- "Finding the UEFI diagnostic code" on page 648

806f010c-203002ff Uncorrectable error detected for [PhysicalMemoryElementName] on Subsystem [MemoryElementName].

Explanation: An uncorrectable memory error has been detected.

May also be shown as 806f010c203002ff or 0x806f010c203002ff

Severity: Error

Alert Category: Critical - Memory

Serviceable: Yes

CIM Information: Prefix: PLAT and ID: 0138

SNMP Trap ID: 41

Automatically notify Support: Yes

User response: This is a UEFI detected event. The UEFI diagnostic code for this event can be found in the logged

806f010c-2030ffff • 806f010d-0400ffff

IMM message text. Please refer to the UEFI diagnostic code in the "UEFI diagnostic code" section of the Information Center for the appropriate user response.

Related Links:

- "Finding the UEFI diagnostic code" on page 648

806f010c-2030ffff Uncorrectable error detected for [PhysicalMemoryElementName] on Subsystem [MemoryElementName].

Explanation: An uncorrectable memory error has been detected.

May also be shown as 806f010c2030ffff or 0x806f010c2030ffff

Severity: Error

Alert Category: Critical - Memory

Serviceable: Yes

CIM Information: Prefix: PLAT and ID: 0138

SNMP Trap ID: 41

Automatically notify Support: Yes

User response: This is a UEFI detected event. The UEFI diagnostic code for this event can be found in the logged IMM message text. Please refer to the UEFI diagnostic code in the "UEFI diagnostic code" section of the Information Center for the appropriate user response.

Related Links:

- "Finding the UEFI diagnostic code" on page 648

806f010c-2581ffff Uncorrectable error detected for [PhysicalMemoryElementName] on Subsystem [MemoryElementName].

Explanation: A memory uncorrectable error has been detected. All DIMMs. One of the DIMMs.

May also be shown as 806f010c2581ffff or 0x806f010c2581ffff

Severity: Error

Alert Category: Critical - Memory

Serviceable: Yes

CIM Information: Prefix: PLAT and ID: 0138

SNMP Trap ID: 41

Automatically notify Support: Yes

User response: This is a UEFI detected event. The UEFI diagnostic code for this event can be found in the logged IMM message text. Please refer to the UEFI diagnostic code in the "UEFI diagnostic code" section of the Information Center for the appropriate user response.

Related Links:

- "Finding the UEFI diagnostic code" on page 648

806f010d-0400ffff The [StorageVolumeElementName] has been disabled due to a detected fault.

Explanation: The hard disk drive controller has detected a fault in hard disk drive 0. Hard disk drive 0 is now defunct.

May also be shown as 806f010d0400ffff or 0x806f010d0400ffff

Severity: Error

Alert Category: Critical - Hard Disk drive

Serviceable: Yes

CIM Information: Prefix: PLAT and ID: 0164

SNMP Trap ID: 5

Automatically notify Support: Yes

User response: Complete the following steps until the problem is solved:

1. Check the Support Portal for service bulletins and RETAIN tips related to your drive.
2. Check the Support Portal for firmware updates related to your drive.
3. Replace the drive.
4. Check for any other RAID-related errors.

806f010d-0401ffff The [StorageVolumeElementName] has been disabled due to a detected fault.

Explanation: The hard disk drive controller has detected a fault in hard disk drive 1. Hard disk drive 1 is now defunct.

May also be shown as 806f010d0401ffff or 0x806f010d0401ffff

Severity: Error

Alert Category: Critical - Hard Disk drive

Serviceable: Yes

CIM Information: Prefix: PLAT and ID: 0164

SNMP Trap ID: 5

Automatically notify Support: Yes

User response: Complete the following steps until the problem is solved:

1. Check the Support Portal for service bulletins and RETAIN tips related to your drive.
2. Check the Support Portal for firmware updates related to your drive.
3. Replace the drive.
4. Check for any other RAID-related errors.

806f010d-0402ffff The [StorageVolumeElementName] has been disabled due to a detected fault.

Explanation: The hard disk drive controller has detected a fault in hard disk drive 2. Hard disk drive 2 is now defunct.

May also be shown as 806f010d0402ffff or 0x806f010d0402ffff

Severity: Error

Alert Category: Critical - Hard Disk drive

Serviceable: Yes

CIM Information: Prefix: PLAT and ID: 0164

SNMP Trap ID: 5

Automatically notify Support: Yes

User response: Complete the following steps until the problem is solved:

1. Check the Support Portal for service bulletins and RETAIN tips related to your drive.
 2. Check the Support Portal for firmware updates related to your drive.
 3. Replace the drive.
 4. Check for any other RAID related errors.
-

806f010d-0403ffff • 806f010d-0405ffff

806f010d-0403ffff The [StorageVolumeElementName] has been disabled due to a detected fault.

Explanation: The hard disk drive controller has detected a fault in hard disk drive 3. Hard disk drive 3 is now defunct.

May also be shown as 806f010d0403ffff or 0x806f010d0403ffff

Severity: Error

Alert Category: Critical - Hard Disk drive

Serviceable: Yes

CIM Information: Prefix: PLAT and ID: 0164

SNMP Trap ID: 5

Automatically notify Support: Yes

User response: Complete the following steps until the problem is solved:

1. Check the Support Portal for service bulletins and RETAIN tips related to your drive.
2. Check the Support Portal for firmware updates related to your drive.
3. Replace the drive.
4. Check for any other RAID-related errors.

806f010d-0404ffff The [StorageVolumeElementName] has been disabled due to a detected fault.

Explanation: The hard disk drive controller has detected a fault in hard disk drive 4. Hard disk drive 4 is now defunct.

May also be shown as 806f010d0404ffff or 0x806f010d0404ffff

Severity: Error

Alert Category: Critical - Hard Disk drive

Serviceable: Yes

CIM Information: Prefix: PLAT and ID: 0164

SNMP Trap ID: 5

Automatically notify Support: Yes

User response: Complete the following steps until the problem is solved:

1. Check the Support Portal for service bulletins and RETAIN tips related to your drive.
2. Check the Support Portal for firmware updates related to your drive.
3. Replace the drive.
4. Check for any other RAID-related errors.

806f010d-0405ffff The [StorageVolumeElementName] has been disabled due to a detected fault.

Explanation: The hard disk drive controller has detected a fault in hard disk drive 5. Hard disk drive 5 is now defunct.

May also be shown as 806f010d0405ffff or 0x806f010d0405ffff

Severity: Error

Alert Category: Critical - Hard Disk drive

Serviceable: Yes

CIM Information: Prefix: PLAT and ID: 0164

SNMP Trap ID: 5

Automatically notify Support: Yes

User response: Complete the following steps until the problem is solved:

1. Check the Support Portal for service bulletins and RETAIN tips related to your drive.
2. Check the Support Portal for firmware updates related to your drive.
3. Replace the drive.
4. Check for any other RAID-related errors.

806f010d-0406ffff The [StorageVolumeElementName] has been disabled due to a detected fault.

Explanation: The hard disk drive controller has detected a fault in hard disk drive 6. Hard disk drive 6 is now defunct.

May also be shown as 806f010d0406ffff or 0x806f010d0406ffff

Severity: Error

Alert Category: Critical - Hard Disk drive

Serviceable: Yes

CIM Information: Prefix: PLAT and ID: 0164

SNMP Trap ID: 5

Automatically notify Support: Yes

User response: Complete the following steps until the problem is solved:

1. Check the Support Portal for service bulletins and RETAIN tips related to your drive.
2. Check the Support Portal for firmware updates related to your drive.
3. Replace the drive.
4. Check for any other RAID-related errors.

806f010d-0407ffff The [StorageVolumeElementName] has been disabled due to a detected fault.

Explanation: The hard disk drive controller has detected a fault in hard disk drive 7. Hard disk drive 7 is now defunct.

May also be shown as 806f010d0407ffff or 0x806f010d0407ffff

Severity: Error

Alert Category: Critical - Hard Disk drive

Serviceable: Yes

CIM Information: Prefix: PLAT and ID: 0164

SNMP Trap ID: 5

Automatically notify Support: Yes

User response: Complete the following steps until the problem is solved:

1. Check the Support Portal for service bulletins and RETAIN tips related to your drive.
2. Check the Support Portal for firmware updates related to your drive.
3. Replace the drive.
4. Check for any other RAID-related errors.

806f010d-2b81ffff The [StorageVolumeElementName] has been disabled due to a detected fault.

Explanation: The FlashDIMM agent has indicated a FlashDIMM was Disabled due to fault.

May also be shown as 806f010d2b81ffff or 0x806f010d2b81ffff

Severity: Error

Alert Category: Critical - Hard Disk drive

Serviceable: Yes

806f010f-220100ff • 806f011b-0c01ffff

CIM Information: Prefix: PLAT and ID: 0164

SNMP Trap ID: 5

Automatically notify Support: Yes

User response: The drive controller has indicated a fault state and the device is not operational

806f010f-220100ff The System [ComputerSystemElementName] encountered a firmware hang.

Explanation: A system firmware hang has been detected.

May also be shown as 806f010f220100ff or 0x806f010f220100ff

Severity: Error

Alert Category: System - Boot failure

Serviceable: Yes

CIM Information: Prefix: PLAT and ID: 0186

SNMP Trap ID: 25

Automatically notify Support: No

User response: This is a UEFI detected event. The UEFI diagnostic code for this event can be found in the logged IMM message text. Please refer to the UEFI diagnostic code in the "UEFI diagnostic code" section of the Info Center for the appropriate user response.

Related Links:

- "Finding the UEFI diagnostic code" on page 648
-

806f010f-2201ffff The System [ComputerSystemElementName] encountered a firmware hang.

Explanation: A system firmware hang has been detected.

May also be shown as 806f010f2201ffff or 0x806f010f2201ffff

Severity: Error

Alert Category: System - Boot failure

Serviceable: Yes

CIM Information: Prefix: PLAT and ID: 0186

SNMP Trap ID: 25

Automatically notify Support: No

User response: This is a UEFI detected event. The UEFI diagnostic code for this event can be found in the logged IMM message text. Please refer to the UEFI diagnostic code in the "UEFI diagnostic code" section of the Info Center for the appropriate user response.

Related Links:

- "Finding the UEFI diagnostic code" on page 648
-

806f011b-0c01ffff The connector [PhysicalConnectorElementName] has encountered a configuration error.

Explanation: The light path LED card is not detected.

May also be shown as 806f011b0c01ffff or 0x806f011b0c01ffff

Severity: Error

Alert Category: Critical - Other

Serviceable: Yes

CIM Information: Prefix: PLAT and ID: 0266

SNMP Trap ID: 50

Automatically notify Support: Yes

User response: Complete the following steps until the problem is solved:

1. Make sure that the cable from the light path LED card to the system board is securely connected.
2. Replace the light path diagnostics panel.

806f011b-1f03ffff The connector [PhysicalConnectorElementName] has encountered a configuration error.

Explanation: The connection of the SAS backplane 1 and the planar are not complete

May also be shown as 806f011b1f03ffff or 0x806f011b1f03ffff

Severity: Error

Alert Category: Critical - Other

Serviceable: Yes

CIM Information: Prefix: PLAT and ID: 0266

SNMP Trap ID: 50

Automatically notify Support: Yes

User response:

1. Check the SAS backplane 1 is connected completely to main system planar.
2. Check that disk is completely inserted in connector.

806f011b-1f04ffff The connector [PhysicalConnectorElementName] has encountered a configuration error.

Explanation: The connection of the SAS 2 backplane and the planar are not complete

May also be shown as 806f011b1f04ffff or 0x806f011b1f04ffff

Severity: Error

Alert Category: Critical - Other

Serviceable: Yes

CIM Information: Prefix: PLAT and ID: 0266

SNMP Trap ID: 50

Automatically notify Support: Yes

User response:

1. Check the SAS backplane 2 is connected completely to main system planar.
2. Check that disk is completely inserted in connector.

806f0123-2101ffff Reboot of system [ComputerSystemElementName] initiated by [WatchdogElementName].

Explanation: The IPMI watchdog timer has expired. The compute node has restarted.

May also be shown as 806f01232101ffff or 0x806f01232101ffff

Severity: Info

Alert Category: System - Other

Serviceable: No

CIM Information: Prefix: PLAT and ID: 0370

SNMP Trap ID:

Automatically notify Support: No

User response: Information only; no action is required.

806f0207-0301ffff [ProcessorElementName] has Failed with FRB1/BIST condition.

Explanation: A Processor has Failed - FRB1/BIST condition.

May also be shown as 806f02070301ffff or 0x806f02070301ffff

Severity: Error

Alert Category: Critical - CPU

Serviceable: Yes

CIM Information: Prefix: PLAT and ID: 0044

SNMP Trap ID: 40

Automatically notify Support: Yes

User response: This is a UEFI detected event. The UEFI diagnostic code for this event can be found in the logged IMM message text. Please refer to the UEFI diagnostic code in the "UEFI diagnostic code" section of the Information Center for the appropriate user response.

Related Links:

- "Finding the UEFI diagnostic code" on page 648
-

806f0207-0302ffff [ProcessorElementName] has Failed with FRB1/BIST condition.

Explanation: A Processor has Failed - FRB1/BIST condition.

May also be shown as 806f02070302ffff or 0x806f02070302ffff

Severity: Error

Alert Category: Critical - CPU

Serviceable: Yes

CIM Information: Prefix: PLAT and ID: 0044

SNMP Trap ID: 40

Automatically notify Support: Yes

User response: This is a UEFI detected event. The UEFI diagnostic code for this event can be found in the logged IMM message text. Please refer to the UEFI diagnostic code in the "UEFI diagnostic code" section of the Information Center for the appropriate user response.

Related Links:

- "Finding the UEFI diagnostic code" on page 648
-

806f0207-2584ffff [ProcessorElementName] has Failed with FRB1/BIST condition.

Explanation: A processor failed - FRB1/BIST condition. All CPUs. One of CPUs.

May also be shown as 806f02072584ffff or 0x806f02072584ffff

Severity: Error

Alert Category: Critical - CPU

Serviceable: Yes

CIM Information: Prefix: PLAT and ID: 0044

SNMP Trap ID: 40

Automatically notify Support: Yes

User response: This is a UEFI detected event. The UEFI diagnostic code for this event can be found in the logged IMM message text. Please refer to the UEFI diagnostic code in the "UEFI diagnostic code" section of the Information Center for the appropriate user response.

Related Links:

- “Finding the UEFI diagnostic code” on page 648

806f020d-0400ffff Failure Predicted on [StorageVolumeElementName] for array [ComputerSystemElementName].

Explanation: Failure predicted (PFA) on the hard drive.

May also be shown as 806f020d0400ffff or 0x806f020d0400ffff

Severity: Warning

Alert Category: System - Predicted Failure

Serviceable: Yes

CIM Information: Prefix: PLAT and ID: 0168

SNMP Trap ID: 27

Automatically notify Support: Yes

User response: Replace the hard disk drive at the next maintenance period.

806f020d-0401ffff Failure Predicted on [StorageVolumeElementName] for array [ComputerSystemElementName].

Explanation: Failure predicted (PFA) on the hard drive.

May also be shown as 806f020d0401ffff or 0x806f020d0401ffff

Severity: Warning

Alert Category: System - Predicted Failure

Serviceable: Yes

CIM Information: Prefix: PLAT and ID: 0168

SNMP Trap ID: 27

Automatically notify Support: Yes

User response: Replace the hard disk drive at the next maintenance period.

806f020d-0402ffff Failure Predicted on [StorageVolumeElementName] for array [ComputerSystemElementName].

Explanation: Failure predicted (PFA) on the hard drive.

May also be shown as 806f020d0402ffff or 0x806f020d0402ffff

Severity: Warning

Alert Category: System - Predicted Failure

Serviceable: Yes

CIM Information: Prefix: PLAT and ID: 0168

SNMP Trap ID: 27

Automatically notify Support: Yes

User response: Replace the hard disk drive at the next maintenance period.

806f020d-0403ffff Failure Predicted on [StorageVolumeElementName] for array [ComputerSystemElementName].

Explanation: Failure predicted (PFA) on the hard drive.

May also be shown as 806f020d0403ffff or 0x806f020d0403ffff

Severity: Warning

Alert Category: System - Predicted Failure

Serviceable: Yes

806f020d-0404ffff • 806f020d-0406ffff

CIM Information: Prefix: PLAT and ID: 0168

SNMP Trap ID: 27

Automatically notify Support: Yes

User response: Replace the hard disk drive at the next maintenance period.

806f020d-0404ffff Failure Predicted on [StorageVolumeElementName] for array [ComputerSystemElementName].

Explanation: Failure predicted (PFA) on the hard drive.

May also be shown as 806f020d0404ffff or 0x806f020d0404ffff

Severity: Warning

Alert Category: System - Predicted Failure

Serviceable: Yes

CIM Information: Prefix: PLAT and ID: 0168

SNMP Trap ID: 27

Automatically notify Support: Yes

User response: Replace the hard disk drive at the next maintenance period.

806f020d-0405ffff Failure Predicted on [StorageVolumeElementName] for array [ComputerSystemElementName].

Explanation: Failure predicted (PFA) on the hard drive.

May also be shown as 806f020d0405ffff or 0x806f020d0405ffff

Severity: Warning

Alert Category: System - Predicted Failure

Serviceable: Yes

CIM Information: Prefix: PLAT and ID: 0168

SNMP Trap ID: 27

Automatically notify Support: Yes

User response: Replace the hard disk drive at the next maintenance period.

806f020d-0406ffff Failure Predicted on [StorageVolumeElementName] for array [ComputerSystemElementName].

Explanation: Failure predicted (PFA) on the hard drive.

May also be shown as 806f020d0406ffff or 0x806f020d0406ffff

Severity: Warning

Alert Category: System - Predicted Failure

Serviceable: Yes

CIM Information: Prefix: PLAT and ID: 0168

SNMP Trap ID: 27

Automatically notify Support: Yes

User response: Replace the hard disk drive at the next maintenance period.

806f020d-0407ffff Failure Predicted on [StorageVolumeElementName] for array [ComputerSystemElementName].

Explanation: Failure predicted (PFA) on the hard drive.

May also be shown as 806f020d0407ffff or 0x806f020d0407ffff

Severity: Warning

Alert Category: System - Predicted Failure

Serviceable: Yes

CIM Information: Prefix: PLAT and ID: 0168

SNMP Trap ID: 27

Automatically notify Support: Yes

User response: Replace the hard disk drive at the next maintenance period.

806f020d-2b81ffff Failure Predicted on [StorageVolumeElementName] for array [ComputerSystemElementName].

Explanation: The eXFlash Proxy Service reported a failure predicted (PFA) on the eXFlash DIMM.

May also be shown as 806f020d2b81ffff or 0x806f020d2b81ffff

Severity: Warning

Alert Category: System - Predicted Failure

Serviceable: Yes

CIM Information: Prefix: PLAT and ID: 0168

SNMP Trap ID: 27

Automatically notify Support: Yes

User response: At the next maintenance opportunity:

1. Verify that the most recent eXFlash DIMM firmware and eXFlash IPMI Proxy Service are installed.
2. If the node has recently been installed, moved, serviced, or upgraded, verify that the eXFlash DIMM is properly seated and visually verify that there is no foreign material in any DIMM connector on that memory channel. If either of these conditions is found, correct and retry with the same eXFlash DIMM. (Note: Event Log may contain a recent 00580A4 event denoting detected change in DIMM population that could be related to this problem.)
3. Check IBM support site for an applicable service bulletin or firmware update that applies to this eXFlash error.
4. If problem persists and there are no other eXFlash DIMMs with the same indication, confirm that the eXFlash DIMM is under warranty before replacement.

Related Links:

- “Removing a flash DIMM” on page 730
 - “Installing a flash DIMM” on page 730
 - “Removing a DIMM” on page 717
 - “Installing a DIMM” on page 719
-

806f0221-1201ffff Package installed in slot [PhysicalConnectorElementName] for system [ComputerSystemElementName].

Explanation: An SMP connector was installed with the system.

May also be shown as 806f02211201ffff or 0x806f02211201ffff

Severity: Info

Alert Category: System - Other

Serviceable: No

CIM Information: Prefix: PLAT and ID: 0334

806f0223-2101ffff • 806f030c-200101ff

SNMP Trap ID:

Automatically notify Support: No

User response: SMP connector has been installed. Verify system has been preconfigured for scaled operation. System reboot may be required.

806f0223-2101ffff Powering off system [ComputerSystemElementName] initiated by [WatchdogElementName].

Explanation: The IPMI watchdog timer has expired. The compute node has been powered off.

May also be shown as 806f02232101ffff or 0x806f02232101ffff

Severity: Info

Alert Category: System - Other

Serviceable: No

CIM Information: Prefix: PLAT and ID: 0372

SNMP Trap ID:

Automatically notify Support: No

User response: Information only; no action is required.

806f0225-1f05ffff [ManagedElementName] has been disabled.

Explanation: This message indicates the LAN On Motherboard (LOM) 1 is Disabled.

May also be shown as 806f02251f05ffff or 0x806f02251f05ffff

Severity: Info

Alert Category: System - Other

Serviceable: No

CIM Information: Prefix: PLAT and ID: 0394

SNMP Trap ID:

Automatically notify Support: No

User response: Information only; no action is required.

806f030c-200101ff Scrub Failure for [PhysicalMemoryElementName] on Subsystem [MemoryElementName].

Explanation: Memory error discovered during boot..(not a runtime error).

May also be shown as 806f030c200101ff or 0x806f030c200101ff

Severity: Error

Alert Category: Critical - Memory

Serviceable: Yes

CIM Information: Prefix: PLAT and ID: 0136

SNMP Trap ID: 41

Automatically notify Support: No

User response: This is a UEFI detected event. The UEFI diagnostic code for this event can be found in the logged IMM message text. Please refer to the UEFI diagnostic code in the "UEFI diagnostic code" section of the Information Center for the appropriate user response.

Related Links:

- "Finding the UEFI diagnostic code" on page 648

806f030c-2001ffff Scrub Failure for [PhysicalMemoryElementName] on Subsystem [MemoryElementName].

Explanation: Memory error discovered during boot..(not a runtime error).

May also be shown as 806f030c2001ffff or 0x806f030c2001ffff

Severity: Error

Alert Category: Critical - Memory

Serviceable: Yes

CIM Information: Prefix: PLAT and ID: 0136

SNMP Trap ID: 41

Automatically notify Support: No

User response: This is a UEFI detected event. The UEFI diagnostic code for this event can be found in the logged IMM message text. Please refer to the UEFI diagnostic code in the "UEFI diagnostic code" section of the Information Center for the appropriate user response.

Related Links:

- "Finding the UEFI diagnostic code" on page 648

806f030c-200201ff Scrub Failure for [PhysicalMemoryElementName] on Subsystem [MemoryElementName].

Explanation: Memory error discovered during boot..(not a runtime error).

May also be shown as 806f030c200201ff or 0x806f030c200201ff

Severity: Error

Alert Category: Critical - Memory

Serviceable: Yes

CIM Information: Prefix: PLAT and ID: 0136

SNMP Trap ID: 41

Automatically notify Support: No

User response: This is a UEFI detected event. The UEFI diagnostic code for this event can be found in the logged IMM message text. Please refer to the UEFI diagnostic code in the "UEFI diagnostic code" section of the Information Center for the appropriate user response.

Related Links:

- "Finding the UEFI diagnostic code" on page 648

806f030c-2002ffff Scrub Failure for [PhysicalMemoryElementName] on Subsystem [MemoryElementName].

Explanation: Memory error discovered during boot..(not a runtime error).

May also be shown as 806f030c2002ffff or 0x806f030c2002ffff

Severity: Error

Alert Category: Critical - Memory

Serviceable: Yes

CIM Information: Prefix: PLAT and ID: 0136

SNMP Trap ID: 41

Automatically notify Support: No

User response: This is a UEFI detected event. The UEFI diagnostic code for this event can be found in the logged IMM message text. Please refer to the UEFI diagnostic code in the "UEFI diagnostic code" section of the Information Center for the appropriate user response.

Related Links:

806f030c-200301ff • 806f030c-200401ff

- “Finding the UEFI diagnostic code” on page 648

806f030c-200301ff Scrub Failure for [PhysicalMemoryElementName] on Subsystem [MemoryElementName].

Explanation: Memory error discovered during boot..(not a runtime error).

May also be shown as 806f030c200301ff or 0x806f030c200301ff

Severity: Error

Alert Category: Critical - Memory

Serviceable: Yes

CIM Information: Prefix: PLAT and ID: 0136

SNMP Trap ID: 41

Automatically notify Support: No

User response: This is a UEFI detected event. The UEFI diagnostic code for this event can be found in the logged IMM message text. Please refer to the UEFI diagnostic code in the "UEFI diagnostic code" section of the Information Center for the appropriate user response.

Related Links:

- “Finding the UEFI diagnostic code” on page 648

806f030c-2003ffff Scrub Failure for [PhysicalMemoryElementName] on Subsystem [MemoryElementName].

Explanation: Memory error discovered during boot..(not a runtime error).

May also be shown as 806f030c2003ffff or 0x806f030c2003ffff

Severity: Error

Alert Category: Critical - Memory

Serviceable: Yes

CIM Information: Prefix: PLAT and ID: 0136

SNMP Trap ID: 41

Automatically notify Support: No

User response: This is a UEFI detected event. The UEFI diagnostic code for this event can be found in the logged IMM message text. Please refer to the UEFI diagnostic code in the "UEFI diagnostic code" section of the Information Center for the appropriate user response.

Related Links:

- “Finding the UEFI diagnostic code” on page 648

806f030c-200401ff Scrub Failure for [PhysicalMemoryElementName] on Subsystem [MemoryElementName].

Explanation: Memory error discovered during boot..(not a runtime error).

May also be shown as 806f030c200401ff or 0x806f030c200401ff

Severity: Error

Alert Category: Critical - Memory

Serviceable: Yes

CIM Information: Prefix: PLAT and ID: 0136

SNMP Trap ID: 41

Automatically notify Support: No

User response: This is a UEFI detected event. The UEFI diagnostic code for this event can be found in the logged

IMM message text. Please refer to the UEFI diagnostic code in the "UEFI diagnostic code" section of the Information Center for the appropriate user response.

Related Links:

- "Finding the UEFI diagnostic code" on page 648

806f030c-2004ffff Scrub Failure for [PhysicalMemoryElementName] on Subsystem [MemoryElementName].

Explanation: Memory error discovered during boot..(not a runtime error).

May also be shown as 806f030c2004ffff or 0x806f030c2004ffff

Severity: Error

Alert Category: Critical - Memory

Serviceable: Yes

CIM Information: Prefix: PLAT and ID: 0136

SNMP Trap ID: 41

Automatically notify Support: No

User response: This is a UEFI detected event. The UEFI diagnostic code for this event can be found in the logged IMM message text. Please refer to the UEFI diagnostic code in the "UEFI diagnostic code" section of the Information Center for the appropriate user response.

Related Links:

- "Finding the UEFI diagnostic code" on page 648

806f030c-200501ff Scrub Failure for [PhysicalMemoryElementName] on Subsystem [MemoryElementName].

Explanation: Memory error discovered during boot..(not a runtime error).

May also be shown as 806f030c200501ff or 0x806f030c200501ff

Severity: Error

Alert Category: Critical - Memory

Serviceable: Yes

CIM Information: Prefix: PLAT and ID: 0136

SNMP Trap ID: 41

Automatically notify Support: No

User response: This is a UEFI detected event. The UEFI diagnostic code for this event can be found in the logged IMM message text. Please refer to the UEFI diagnostic code in the "UEFI diagnostic code" section of the Information Center for the appropriate user response.

Related Links:

- "Finding the UEFI diagnostic code" on page 648

806f030c-2005ffff Scrub Failure for [PhysicalMemoryElementName] on Subsystem [MemoryElementName].

Explanation: Memory error discovered during boot..(not a runtime error).

May also be shown as 806f030c2005ffff or 0x806f030c2005ffff

Severity: Error

Alert Category: Critical - Memory

Serviceable: Yes

CIM Information: Prefix: PLAT and ID: 0136

SNMP Trap ID: 41

806f030c-200601ff • 806f030c-200701ff

Automatically notify Support: No

User response: This is a UEFI detected event. The UEFI diagnostic code for this event can be found in the logged IMM message text. Please refer to the UEFI diagnostic code in the "UEFI diagnostic code" section of the Information Center for the appropriate user response.

Related Links:

- "Finding the UEFI diagnostic code" on page 648

806f030c-200601ff Scrub Failure for [PhysicalMemoryElementName] on Subsystem [MemoryElementName].

Explanation: Memory error discovered during boot..(not a runtime error).

May also be shown as 806f030c200601ff or 0x806f030c200601ff

Severity: Error

Alert Category: Critical - Memory

Serviceable: Yes

CIM Information: Prefix: PLAT and ID: 0136

SNMP Trap ID: 41

Automatically notify Support: No

User response: This is a UEFI detected event. The UEFI diagnostic code for this event can be found in the logged IMM message text. Please refer to the UEFI diagnostic code in the "UEFI diagnostic code" section of the Information Center for the appropriate user response.

Related Links:

- "Finding the UEFI diagnostic code" on page 648

806f030c-2006ffff Scrub Failure for [PhysicalMemoryElementName] on Subsystem [MemoryElementName].

Explanation: Memory error discovered during boot..(not a runtime error).

May also be shown as 806f030c2006ffff or 0x806f030c2006ffff

Severity: Error

Alert Category: Critical - Memory

Serviceable: Yes

CIM Information: Prefix: PLAT and ID: 0136

SNMP Trap ID: 41

Automatically notify Support: No

User response: This is a UEFI detected event. The UEFI diagnostic code for this event can be found in the logged IMM message text. Please refer to the UEFI diagnostic code in the "UEFI diagnostic code" section of the Information Center for the appropriate user response.

Related Links:

- "Finding the UEFI diagnostic code" on page 648

806f030c-200701ff Scrub Failure for [PhysicalMemoryElementName] on Subsystem [MemoryElementName].

Explanation: Memory error discovered during boot..(not a runtime error).

May also be shown as 806f030c200701ff or 0x806f030c200701ff

Severity: Error

Alert Category: Critical - Memory

Serviceable: Yes

CIM Information: Prefix: PLAT and ID: 0136

SNMP Trap ID: 41

Automatically notify Support: No

User response: This is a UEFI detected event. The UEFI diagnostic code for this event can be found in the logged IMM message text. Please refer to the UEFI diagnostic code in the "UEFI diagnostic code" section of the Information Center for the appropriate user response.

Related Links:

- "Finding the UEFI diagnostic code" on page 648

806f030c-2007ffff Scrub Failure for [PhysicalMemoryElementName] on Subsystem [MemoryElementName].

Explanation: Memory error discovered during boot.(not a runtime error).

May also be shown as 806f030c2007ffff or 0x806f030c2007ffff

Severity: Error

Alert Category: Critical - Memory

Serviceable: Yes

CIM Information: Prefix: PLAT and ID: 0136

SNMP Trap ID: 41

Automatically notify Support: No

User response: This is a UEFI detected event. The UEFI diagnostic code for this event can be found in the logged IMM message text. Please refer to the UEFI diagnostic code in the "UEFI diagnostic code" section of the Information Center for the appropriate user response.

Related Links:

- "Finding the UEFI diagnostic code" on page 648

806f030c-200801ff Scrub Failure for [PhysicalMemoryElementName] on Subsystem [MemoryElementName].

Explanation: Memory error discovered during boot.(not a runtime error).

May also be shown as 806f030c200801ff or 0x806f030c200801ff

Severity: Error

Alert Category: Critical - Memory

Serviceable: Yes

CIM Information: Prefix: PLAT and ID: 0136

SNMP Trap ID: 41

Automatically notify Support: No

User response: This is a UEFI detected event. The UEFI diagnostic code for this event can be found in the logged IMM message text. Please refer to the UEFI diagnostic code in the "UEFI diagnostic code" section of the Information Center for the appropriate user response.

Related Links:

- "Finding the UEFI diagnostic code" on page 648

806f030c-2008ffff Scrub Failure for [PhysicalMemoryElementName] on Subsystem [MemoryElementName].

Explanation: Memory error discovered during boot.(not a runtime error).

May also be shown as 806f030c2008ffff or 0x806f030c2008ffff

Severity: Error

806f030c-200901ff • 806f030c-2009ffff

Alert Category: Critical - Memory

Serviceable: Yes

CIM Information: **Prefix:** PLAT and **ID:** 0136

SNMP Trap ID: 41

Automatically notify Support: No

User response: This is a UEFI detected event. The UEFI diagnostic code for this event can be found in the logged IMM message text. Please refer to the UEFI diagnostic code in the "UEFI diagnostic code" section of the Information Center for the appropriate user response.

Related Links:

- "Finding the UEFI diagnostic code" on page 648

806f030c-200901ff Scrub Failure for [PhysicalMemoryElementName] on Subsystem [MemoryElementName].

Explanation: Memory error discovered during boot..(not a runtime error).

May also be shown as 806f030c200901ff or 0x806f030c200901ff

Severity: Error

Alert Category: Critical - Memory

Serviceable: Yes

CIM Information: **Prefix:** PLAT and **ID:** 0136

SNMP Trap ID: 41

Automatically notify Support: No

User response: This is a UEFI detected event. The UEFI diagnostic code for this event can be found in the logged IMM message text. Please refer to the UEFI diagnostic code in the "UEFI diagnostic code" section of the Information Center for the appropriate user response.

Related Links:

- "Finding the UEFI diagnostic code" on page 648

806f030c-2009ffff Scrub Failure for [PhysicalMemoryElementName] on Subsystem [MemoryElementName].

Explanation: Memory error discovered during boot..(not a runtime error).

May also be shown as 806f030c2009ffff or 0x806f030c2009ffff

Severity: Error

Alert Category: Critical - Memory

Serviceable: Yes

CIM Information: **Prefix:** PLAT and **ID:** 0136

SNMP Trap ID: 41

Automatically notify Support: No

User response: This is a UEFI detected event. The UEFI diagnostic code for this event can be found in the logged IMM message text. Please refer to the UEFI diagnostic code in the "UEFI diagnostic code" section of the Information Center for the appropriate user response.

Related Links:

- "Finding the UEFI diagnostic code" on page 648

806f030c-200a01ff Scrub Failure for [PhysicalMemoryElementName] on Subsystem [MemoryElementName].

Explanation: Memory error discovered during boot..(not a runtime error).

May also be shown as 806f030c200a01ff or 0x806f030c200a01ff

Severity: Error

Alert Category: Critical - Memory

Serviceable: Yes

CIM Information: Prefix: PLAT and ID: 0136

SNMP Trap ID: 41

Automatically notify Support: No

User response: This is a UEFI detected event. The UEFI diagnostic code for this event can be found in the logged IMM message text. Please refer to the UEFI diagnostic code in the "UEFI diagnostic code" section of the Information Center for the appropriate user response.

Related Links:

- "Finding the UEFI diagnostic code" on page 648

806f030c-200affff Scrub Failure for [PhysicalMemoryElementName] on Subsystem [MemoryElementName].

Explanation: Memory error discovered during boot..(not a runtime error).

May also be shown as 806f030c200affff or 0x806f030c200affff

Severity: Error

Alert Category: Critical - Memory

Serviceable: Yes

CIM Information: Prefix: PLAT and ID: 0136

SNMP Trap ID: 41

Automatically notify Support: No

User response: This is a UEFI detected event. The UEFI diagnostic code for this event can be found in the logged IMM message text. Please refer to the UEFI diagnostic code in the "UEFI diagnostic code" section of the Information Center for the appropriate user response.

Related Links:

- "Finding the UEFI diagnostic code" on page 648

806f030c-200bffff Scrub Failure for [PhysicalMemoryElementName] on Subsystem [MemoryElementName].

Explanation: Memory error discovered during boot..(not a runtime error).

May also be shown as 806f030c200bffff or 0x806f030c200bffff

Severity: Error

Alert Category: Critical - Memory

Serviceable: Yes

CIM Information: Prefix: PLAT and ID: 0136

SNMP Trap ID: 41

Automatically notify Support: No

User response: This is a UEFI detected event. The UEFI diagnostic code for this event can be found in the logged IMM message text. Please refer to the UEFI diagnostic code in the "UEFI diagnostic code" section of the Information Center for the appropriate user response.

Related Links:

806f030c-200cffff • 806f030c-200dffff

- “Finding the UEFI diagnostic code” on page 648

806f030c-200cffff Scrub Failure for [PhysicalMemoryElementName] on Subsystem [MemoryElementName].

Explanation: Memory error discovered during boot..(not a runtime error).

May also be shown as 806f030c200cffff or 0x806f030c200cffff

Severity: Error

Alert Category: Critical - Memory

Serviceable: Yes

CIM Information: Prefix: PLAT and ID: 0136

SNMP Trap ID: 41

Automatically notify Support: No

User response: This is a UEFI detected event. The UEFI diagnostic code for this event can be found in the logged IMM message text. Please refer to the UEFI diagnostic code in the "UEFI diagnostic code" section of the Information Center for the appropriate user response.

Related Links:

- “Finding the UEFI diagnostic code” on page 648

806f030c-200d02ff Scrub Failure for [PhysicalMemoryElementName] on Subsystem [MemoryElementName].

Explanation: Memory error discovered during boot..(not a runtime error).

May also be shown as 806f030c200d02ff or 0x806f030c200d02ff

Severity: Error

Alert Category: Critical - Memory

Serviceable: Yes

CIM Information: Prefix: PLAT and ID: 0136

SNMP Trap ID: 41

Automatically notify Support: No

User response: This is a UEFI detected event. The UEFI diagnostic code for this event can be found in the logged IMM message text. Please refer to the UEFI diagnostic code in the "UEFI diagnostic code" section of the Information Center for the appropriate user response.

Related Links:

- “Finding the UEFI diagnostic code” on page 648

806f030c-200dffff Scrub Failure for [PhysicalMemoryElementName] on Subsystem [MemoryElementName].

Explanation: Memory error discovered during boot..(not a runtime error).

May also be shown as 806f030c200dffff or 0x806f030c200dffff

Severity: Error

Alert Category: Critical - Memory

Serviceable: Yes

CIM Information: Prefix: PLAT and ID: 0136

SNMP Trap ID: 41

Automatically notify Support: No

User response: This is a UEFI detected event. The UEFI diagnostic code for this event can be found in the logged

IMM message text. Please refer to the UEFI diagnostic code in the "UEFI diagnostic code" section of the Information Center for the appropriate user response.

Related Links:

- "Finding the UEFI diagnostic code" on page 648

806f030c-200e02ff Scrub Failure for [PhysicalMemoryElementName] on Subsystem [MemoryElementName].

Explanation: Memory error discovered during boot..(not a runtime error).

May also be shown as 806f030c200e02ff or 0x806f030c200e02ff

Severity: Error

Alert Category: Critical - Memory

Serviceable: Yes

CIM Information: Prefix: PLAT and ID: 0136

SNMP Trap ID: 41

Automatically notify Support: No

User response: This is a UEFI detected event. The UEFI diagnostic code for this event can be found in the logged IMM message text. Please refer to the UEFI diagnostic code in the "UEFI diagnostic code" section of the Information Center for the appropriate user response.

Related Links:

- "Finding the UEFI diagnostic code" on page 648

806f030c-200effff Scrub Failure for [PhysicalMemoryElementName] on Subsystem [MemoryElementName].

Explanation: Memory error discovered during boot..(not a runtime error).

May also be shown as 806f030c200effff or 0x806f030c200effff

Severity: Error

Alert Category: Critical - Memory

Serviceable: Yes

CIM Information: Prefix: PLAT and ID: 0136

SNMP Trap ID: 41

Automatically notify Support: No

User response: This is a UEFI detected event. The UEFI diagnostic code for this event can be found in the logged IMM message text. Please refer to the UEFI diagnostic code in the "UEFI diagnostic code" section of the Information Center for the appropriate user response.

Related Links:

- "Finding the UEFI diagnostic code" on page 648

806f030c-200f02ff Scrub Failure for [PhysicalMemoryElementName] on Subsystem [MemoryElementName].

Explanation: Memory error discovered during boot..(not a runtime error).

May also be shown as 806f030c200f02ff or 0x806f030c200f02ff

Severity: Error

Alert Category: Critical - Memory

Serviceable: Yes

CIM Information: Prefix: PLAT and ID: 0136

SNMP Trap ID: 41

806f030c-200ffff • 806f030c-2010ffff

Automatically notify Support: No

User response: This is a UEFI detected event. The UEFI diagnostic code for this event can be found in the logged IMM message text. Please refer to the UEFI diagnostic code in the "UEFI diagnostic code" section of the Information Center for the appropriate user response.

Related Links:

- "Finding the UEFI diagnostic code" on page 648

806f030c-200ffff Scrub Failure for [PhysicalMemoryElementName] on Subsystem [MemoryElementName].

Explanation: Memory error discovered during boot..(not a runtime error).

May also be shown as 806f030c200ffff or 0x806f030c200ffff

Severity: Error

Alert Category: Critical - Memory

Serviceable: Yes

CIM Information: Prefix: PLAT and ID: 0136

SNMP Trap ID: 41

Automatically notify Support: No

User response: This is a UEFI detected event. The UEFI diagnostic code for this event can be found in the logged IMM message text. Please refer to the UEFI diagnostic code in the "UEFI diagnostic code" section of the Information Center for the appropriate user response.

Related Links:

- "Finding the UEFI diagnostic code" on page 648

806f030c-201002ff Scrub Failure for [PhysicalMemoryElementName] on Subsystem [MemoryElementName].

Explanation: Memory error discovered during boot..(not a runtime error).

May also be shown as 806f030c201002ff or 0x806f030c201002ff

Severity: Error

Alert Category: Critical - Memory

Serviceable: Yes

CIM Information: Prefix: PLAT and ID: 0136

SNMP Trap ID: 41

Automatically notify Support: No

User response: This is a UEFI detected event. The UEFI diagnostic code for this event can be found in the logged IMM message text. Please refer to the UEFI diagnostic code in the "UEFI diagnostic code" section of the Information Center for the appropriate user response.

Related Links:

- "Finding the UEFI diagnostic code" on page 648

806f030c-2010ffff Scrub Failure for [PhysicalMemoryElementName] on Subsystem [MemoryElementName].

Explanation: Memory error discovered during boot..(not a runtime error).

May also be shown as 806f030c2010ffff or 0x806f030c2010ffff

Severity: Error

Alert Category: Critical - Memory

Serviceable: Yes

CIM Information: Prefix: PLAT and ID: 0136

SNMP Trap ID: 41

Automatically notify Support: No

User response: This is a UEFI detected event. The UEFI diagnostic code for this event can be found in the logged IMM message text. Please refer to the UEFI diagnostic code in the "UEFI diagnostic code" section of the Information Center for the appropriate user response.

Related Links:

- "Finding the UEFI diagnostic code" on page 648

806f030c-201102ff Scrub Failure for [PhysicalMemoryElementName] on Subsystem [MemoryElementName].

Explanation: Memory error discovered during boot.(not a runtime error).

May also be shown as 806f030c201102ff or 0x806f030c201102ff

Severity: Error

Alert Category: Critical - Memory

Serviceable: Yes

CIM Information: Prefix: PLAT and ID: 0136

SNMP Trap ID: 41

Automatically notify Support: No

User response: This is a UEFI detected event. The UEFI diagnostic code for this event can be found in the logged IMM message text. Please refer to the UEFI diagnostic code in the "UEFI diagnostic code" section of the Information Center for the appropriate user response.

Related Links:

- "Finding the UEFI diagnostic code" on page 648

806f030c-2011ffff Scrub Failure for [PhysicalMemoryElementName] on Subsystem [MemoryElementName].

Explanation: Memory error discovered during boot.(not a runtime error).

May also be shown as 806f030c2011ffff or 0x806f030c2011ffff

Severity: Error

Alert Category: Critical - Memory

Serviceable: Yes

CIM Information: Prefix: PLAT and ID: 0136

SNMP Trap ID: 41

Automatically notify Support: No

User response: This is a UEFI detected event. The UEFI diagnostic code for this event can be found in the logged IMM message text. Please refer to the UEFI diagnostic code in the "UEFI diagnostic code" section of the Information Center for the appropriate user response.

Related Links:

- "Finding the UEFI diagnostic code" on page 648

806f030c-201202ff Scrub Failure for [PhysicalMemoryElementName] on Subsystem [MemoryElementName].

Explanation: Memory error discovered during boot.(not a runtime error).

May also be shown as 806f030c201202ff or 0x806f030c201202ff

Severity: Error

806f030c-2012ffff • 806f030c-201302ff

Alert Category: Critical - Memory

Serviceable: Yes

CIM Information: **Prefix:** PLAT and **ID:** 0136

SNMP Trap ID: 41

Automatically notify Support: No

User response: This is a UEFI detected event. The UEFI diagnostic code for this event can be found in the logged IMM message text. Please refer to the UEFI diagnostic code in the "UEFI diagnostic code" section of the Information Center for the appropriate user response.

Related Links:

- "Finding the UEFI diagnostic code" on page 648

806f030c-2012ffff Scrub Failure for [PhysicalMemoryElementName] on Subsystem [MemoryElementName].

Explanation: Memory error discovered during boot..(not a runtime error).

May also be shown as 806f030c2012ffff or 0x806f030c2012ffff

Severity: Error

Alert Category: Critical - Memory

Serviceable: Yes

CIM Information: **Prefix:** PLAT and **ID:** 0136

SNMP Trap ID: 41

Automatically notify Support: No

User response: This is a UEFI detected event. The UEFI diagnostic code for this event can be found in the logged IMM message text. Please refer to the UEFI diagnostic code in the "UEFI diagnostic code" section of the Information Center for the appropriate user response.

Related Links:

- "Finding the UEFI diagnostic code" on page 648

806f030c-201302ff Scrub Failure for [PhysicalMemoryElementName] on Subsystem [MemoryElementName].

Explanation: Memory error discovered during boot..(not a runtime error).

May also be shown as 806f030c201302ff or 0x806f030c201302ff

Severity: Error

Alert Category: Critical - Memory

Serviceable: Yes

CIM Information: **Prefix:** PLAT and **ID:** 0136

SNMP Trap ID: 41

Automatically notify Support: No

User response: This is a UEFI detected event. The UEFI diagnostic code for this event can be found in the logged IMM message text. Please refer to the UEFI diagnostic code in the "UEFI diagnostic code" section of the Information Center for the appropriate user response.

Related Links:

- "Finding the UEFI diagnostic code" on page 648

806f030c-2013ffff Scrub Failure for [PhysicalMemoryElementName] on Subsystem [MemoryElementName].

Explanation: Memory error discovered during boot..(not a runtime error).

May also be shown as 806f030c2013ffff or 0x806f030c2013ffff

Severity: Error

Alert Category: Critical - Memory

Serviceable: Yes

CIM Information: Prefix: PLAT and ID: 0136

SNMP Trap ID: 41

Automatically notify Support: No

User response: This is a UEFI detected event. The UEFI diagnostic code for this event can be found in the logged IMM message text. Please refer to the UEFI diagnostic code in the "UEFI diagnostic code" section of the Information Center for the appropriate user response.

Related Links:

- "Finding the UEFI diagnostic code" on page 648

806f030c-201402ff Scrub Failure for [PhysicalMemoryElementName] on Subsystem [MemoryElementName].

Explanation: Memory error discovered during boot..(not a runtime error).

May also be shown as 806f030c201402ff or 0x806f030c201402ff

Severity: Error

Alert Category: Critical - Memory

Serviceable: Yes

CIM Information: Prefix: PLAT and ID: 0136

SNMP Trap ID: 41

Automatically notify Support: No

User response: This is a UEFI detected event. The UEFI diagnostic code for this event can be found in the logged IMM message text. Please refer to the UEFI diagnostic code in the "UEFI diagnostic code" section of the Information Center for the appropriate user response.

Related Links:

- "Finding the UEFI diagnostic code" on page 648

806f030c-2014ffff Scrub Failure for [PhysicalMemoryElementName] on Subsystem [MemoryElementName].

Explanation: Memory error discovered during boot..(not a runtime error).

May also be shown as 806f030c2014ffff or 0x806f030c2014ffff

Severity: Error

Alert Category: Critical - Memory

Serviceable: Yes

CIM Information: Prefix: PLAT and ID: 0136

SNMP Trap ID: 41

Automatically notify Support: No

User response: This is a UEFI detected event. The UEFI diagnostic code for this event can be found in the logged IMM message text. Please refer to the UEFI diagnostic code in the "UEFI diagnostic code" section of the Information Center for the appropriate user response.

Related Links:

806f030c-201502ff • 806f030c-201602ff

- “Finding the UEFI diagnostic code” on page 648

806f030c-201502ff Scrub Failure for [PhysicalMemoryElementName] on Subsystem [MemoryElementName].

Explanation: Memory error discovered during boot..(not a runtime error).

May also be shown as 806f030c201502ff or 0x806f030c201502ff

Severity: Error

Alert Category: Critical - Memory

Serviceable: Yes

CIM Information: Prefix: PLAT and ID: 0136

SNMP Trap ID: 41

Automatically notify Support: No

User response: This is a UEFI detected event. The UEFI diagnostic code for this event can be found in the logged IMM message text. Please refer to the UEFI diagnostic code in the "UEFI diagnostic code" section of the Information Center for the appropriate user response.

Related Links:

- “Finding the UEFI diagnostic code” on page 648

806f030c-2015ffff Scrub Failure for [PhysicalMemoryElementName] on Subsystem [MemoryElementName].

Explanation: Memory error discovered during boot..(not a runtime error).

May also be shown as 806f030c2015ffff or 0x806f030c2015ffff

Severity: Error

Alert Category: Critical - Memory

Serviceable: Yes

CIM Information: Prefix: PLAT and ID: 0136

SNMP Trap ID: 41

Automatically notify Support: No

User response: This is a UEFI detected event. The UEFI diagnostic code for this event can be found in the logged IMM message text. Please refer to the UEFI diagnostic code in the "UEFI diagnostic code" section of the Information Center for the appropriate user response.

Related Links:

- “Finding the UEFI diagnostic code” on page 648

806f030c-201602ff Scrub Failure for [PhysicalMemoryElementName] on Subsystem [MemoryElementName].

Explanation: Memory error discovered during boot..(not a runtime error).

May also be shown as 806f030c201602ff or 0x806f030c201602ff

Severity: Error

Alert Category: Critical - Memory

Serviceable: Yes

CIM Information: Prefix: PLAT and ID: 0136

SNMP Trap ID: 41

Automatically notify Support: No

User response: This is a UEFI detected event. The UEFI diagnostic code for this event can be found in the logged

IMM message text. Please refer to the UEFI diagnostic code in the "UEFI diagnostic code" section of the Information Center for the appropriate user response.

Related Links:

- "Finding the UEFI diagnostic code" on page 648

806f030c-2016ffff Scrub Failure for [PhysicalMemoryElementName] on Subsystem [MemoryElementName].

Explanation: Memory error discovered during boot..(not a runtime error).

May also be shown as 806f030c2016ffff or 0x806f030c2016ffff

Severity: Error

Alert Category: Critical - Memory

Serviceable: Yes

CIM Information: Prefix: PLAT and **ID:** 0136

SNMP Trap ID: 41

Automatically notify Support: No

User response: This is a UEFI detected event. The UEFI diagnostic code for this event can be found in the logged IMM message text. Please refer to the UEFI diagnostic code in the "UEFI diagnostic code" section of the Information Center for the appropriate user response.

Related Links:

- "Finding the UEFI diagnostic code" on page 648

806f030c-201702ff Scrub Failure for [PhysicalMemoryElementName] on Subsystem [MemoryElementName].

Explanation: Memory error discovered during boot..(not a runtime error).

May also be shown as 806f030c201702ff or 0x806f030c201702ff

Severity: Error

Alert Category: Critical - Memory

Serviceable: Yes

CIM Information: Prefix: PLAT and **ID:** 0136

SNMP Trap ID: 41

Automatically notify Support: No

User response: This is a UEFI detected event. The UEFI diagnostic code for this event can be found in the logged IMM message text. Please refer to the UEFI diagnostic code in the "UEFI diagnostic code" section of the Information Center for the appropriate user response.

Related Links:

- "Finding the UEFI diagnostic code" on page 648

806f030c-2017ffff Scrub Failure for [PhysicalMemoryElementName] on Subsystem [MemoryElementName].

Explanation: Memory error discovered during boot..(not a runtime error).

May also be shown as 806f030c2017ffff or 0x806f030c2017ffff

Severity: Error

Alert Category: Critical - Memory

Serviceable: Yes

CIM Information: Prefix: PLAT and **ID:** 0136

SNMP Trap ID: 41

806f030c-201802ff • 806f030c-201901ff

Automatically notify Support: No

User response: This is a UEFI detected event. The UEFI diagnostic code for this event can be found in the logged IMM message text. Please refer to the UEFI diagnostic code in the "UEFI diagnostic code" section of the Information Center for the appropriate user response.

Related Links:

- "Finding the UEFI diagnostic code" on page 648

806f030c-201802ff Scrub Failure for [PhysicalMemoryElementName] on Subsystem [MemoryElementName].

Explanation: Memory error discovered during boot..(not a runtime error).

May also be shown as 806f030c201802ff or 0x806f030c201802ff

Severity: Error

Alert Category: Critical - Memory

Serviceable: Yes

CIM Information: Prefix: PLAT and ID: 0136

SNMP Trap ID: 41

Automatically notify Support: Yes

User response: This is a UEFI detected event. The UEFI diagnostic code for this event can be found in the logged IMM message text. Please refer to the UEFI diagnostic code in the "UEFI diagnostic code" section of the Information Center for the appropriate user response.

Related Links:

- "Finding the UEFI diagnostic code" on page 648

806f030c-2018ffff Scrub Failure for [PhysicalMemoryElementName] on Subsystem [MemoryElementName].

Explanation: Memory error discovered during boot..(not a runtime error).

May also be shown as 806f030c2018ffff or 0x806f030c2018ffff

Severity: Error

Alert Category: Critical - Memory

Serviceable: Yes

CIM Information: Prefix: PLAT and ID: 0136

SNMP Trap ID: 41

Automatically notify Support: Yes

User response: This is a UEFI detected event. The UEFI diagnostic code for this event can be found in the logged IMM message text. Please refer to the UEFI diagnostic code in the "UEFI diagnostic code" section of the Information Center for the appropriate user response.

Related Links:

- "Finding the UEFI diagnostic code" on page 648

806f030c-201901ff Scrub Failure for [PhysicalMemoryElementName] on Subsystem [MemoryElementName].

Explanation: Memory error discovered during boot..(not a runtime error).

May also be shown as 806f030c201901ff or 0x806f030c201901ff

Severity: Error

Alert Category: Critical - Memory

Serviceable: Yes

CIM Information: Prefix: PLAT and ID: 0136

SNMP Trap ID: 41

Automatically notify Support: No

User response: This is a UEFI detected event. The UEFI diagnostic code for this event can be found in the logged IMM message text. Please refer to the UEFI diagnostic code in the "UEFI diagnostic code" section of the Information Center for the appropriate user response.

Related Links:

- "Finding the UEFI diagnostic code" on page 648

806f030c-2019ffff Scrub Failure for [PhysicalMemoryElementName] on Subsystem [MemoryElementName].

Explanation: Memory error discovered during boot.(not a runtime error).

May also be shown as 806f030c2019ffff or 0x806f030c2019ffff

Severity: Error

Alert Category: Critical - Memory

Serviceable: Yes

CIM Information: Prefix: PLAT and ID: 0136

SNMP Trap ID: 41

Automatically notify Support: No

User response: This is a UEFI detected event. The UEFI diagnostic code for this event can be found in the logged IMM message text. Please refer to the UEFI diagnostic code in the "UEFI diagnostic code" section of the Information Center for the appropriate user response.

Related Links:

- "Finding the UEFI diagnostic code" on page 648

806f030c-201a01ff Scrub Failure for [PhysicalMemoryElementName] on Subsystem [MemoryElementName].

Explanation: Memory error discovered during boot.(not a runtime error).

May also be shown as 806f030c201a01ff or 0x806f030c201a01ff

Severity: Error

Alert Category: Critical - Memory

Serviceable: Yes

CIM Information: Prefix: PLAT and ID: 0136

SNMP Trap ID: 41

Automatically notify Support: No

User response: This is a UEFI detected event. The UEFI diagnostic code for this event can be found in the logged IMM message text. Please refer to the UEFI diagnostic code in the "UEFI diagnostic code" section of the Information Center for the appropriate user response.

Related Links:

- "Finding the UEFI diagnostic code" on page 648

806f030c-201affff Scrub Failure for [PhysicalMemoryElementName] on Subsystem [MemoryElementName].

Explanation: Memory error discovered during boot.(not a runtime error).

May also be shown as 806f030c201affff or 0x806f030c201affff

Severity: Error

806f030c-201bffff • 806f030c-201c01ff

Alert Category: Critical - Memory

Serviceable: Yes

CIM Information: **Prefix:** PLAT and **ID:** 0136

SNMP Trap ID: 41

Automatically notify Support: No

User response: This is a UEFI detected event. The UEFI diagnostic code for this event can be found in the logged IMM message text. Please refer to the UEFI diagnostic code in the "UEFI diagnostic code" section of the Information Center for the appropriate user response.

Related Links:

- "Finding the UEFI diagnostic code" on page 648

806f030c-201bffff Scrub Failure for [PhysicalMemoryElementName] on Subsystem [MemoryElementName].

Explanation: Memory error discovered during boot..(not a runtime error).

May also be shown as 806f030c201bffff or 0x806f030c201bffff

Severity: Error

Alert Category: Critical - Memory

Serviceable: Yes

CIM Information: **Prefix:** PLAT and **ID:** 0136

SNMP Trap ID: 41

Automatically notify Support: No

User response: This is a UEFI detected event. The UEFI diagnostic code for this event can be found in the logged IMM message text. Please refer to the UEFI diagnostic code in the "UEFI diagnostic code" section of the Information Center for the appropriate user response.

Related Links:

- "Finding the UEFI diagnostic code" on page 648

806f030c-201c01ff Scrub Failure for [PhysicalMemoryElementName] on Subsystem [MemoryElementName].

Explanation: Memory error discovered during boot..(not a runtime error).

May also be shown as 806f030c201c01ff or 0x806f030c201c01ff

Severity: Error

Alert Category: Critical - Memory

Serviceable: Yes

CIM Information: **Prefix:** PLAT and **ID:** 0136

SNMP Trap ID: 41

Automatically notify Support: No

User response: This is a UEFI detected event. The UEFI diagnostic code for this event can be found in the logged IMM message text. Please refer to the UEFI diagnostic code in the "UEFI diagnostic code" section of the Information Center for the appropriate user response.

Related Links:

- "Finding the UEFI diagnostic code" on page 648

806f030c-201cffff Scrub Failure for [PhysicalMemoryElementName] on Subsystem [MemoryElementName].

Explanation: Memory error discovered during boot..(not a runtime error).

May also be shown as 806f030c201cffff or 0x806f030c201cffff

Severity: Error

Alert Category: Critical - Memory

Serviceable: Yes

CIM Information: Prefix: PLAT and ID: 0136

SNMP Trap ID: 41

Automatically notify Support: No

User response: This is a UEFI detected event. The UEFI diagnostic code for this event can be found in the logged IMM message text. Please refer to the UEFI diagnostic code in the "UEFI diagnostic code" section of the Information Center for the appropriate user response.

Related Links:

- "Finding the UEFI diagnostic code" on page 648

806f030c-201d01ff Scrub Failure for [PhysicalMemoryElementName] on Subsystem [MemoryElementName].

Explanation: Memory error discovered during boot..(not a runtime error).

May also be shown as 806f030c201d01ff or 0x806f030c201d01ff

Severity: Error

Alert Category: Critical - Memory

Serviceable: Yes

CIM Information: Prefix: PLAT and ID: 0136

SNMP Trap ID: 41

Automatically notify Support: No

User response: This is a UEFI detected event. The UEFI diagnostic code for this event can be found in the logged IMM message text. Please refer to the UEFI diagnostic code in the "UEFI diagnostic code" section of the Information Center for the appropriate user response.

Related Links:

- "Finding the UEFI diagnostic code" on page 648

806f030c-201dffff Scrub Failure for [PhysicalMemoryElementName] on Subsystem [MemoryElementName].

Explanation: Memory error discovered during boot..(not a runtime error).

May also be shown as 806f030c201dffff or 0x806f030c201dffff

Severity: Error

Alert Category: Critical - Memory

Serviceable: Yes

CIM Information: Prefix: PLAT and ID: 0136

SNMP Trap ID: 41

Automatically notify Support: No

User response: This is a UEFI detected event. The UEFI diagnostic code for this event can be found in the logged IMM message text. Please refer to the UEFI diagnostic code in the "UEFI diagnostic code" section of the Information Center for the appropriate user response.

Related Links:

806f030c-201e01ff • 806f030c-201ffff

- “Finding the UEFI diagnostic code” on page 648

806f030c-201e01ff Scrub Failure for [PhysicalMemoryElementName] on Subsystem [MemoryElementName].

Explanation: Memory error discovered during boot..(not a runtime error).

May also be shown as 806f030c201e01ff or 0x806f030c201e01ff

Severity: Error

Alert Category: Critical - Memory

Serviceable: Yes

CIM Information: Prefix: PLAT and ID: 0136

SNMP Trap ID: 41

Automatically notify Support: No

User response: This is a UEFI detected event. The UEFI diagnostic code for this event can be found in the logged IMM message text. Please refer to the UEFI diagnostic code in the "UEFI diagnostic code" section of the Information Center for the appropriate user response.

Related Links:

- “Finding the UEFI diagnostic code” on page 648

806f030c-201effff Scrub Failure for [PhysicalMemoryElementName] on Subsystem [MemoryElementName].

Explanation: Memory error discovered during boot..(not a runtime error).

May also be shown as 806f030c201effff or 0x806f030c201effff

Severity: Error

Alert Category: Critical - Memory

Serviceable: Yes

CIM Information: Prefix: PLAT and ID: 0136

SNMP Trap ID: 41

Automatically notify Support: No

User response: This is a UEFI detected event. The UEFI diagnostic code for this event can be found in the logged IMM message text. Please refer to the UEFI diagnostic code in the "UEFI diagnostic code" section of the Information Center for the appropriate user response.

Related Links:

- “Finding the UEFI diagnostic code” on page 648

806f030c-201fffff Scrub Failure for [PhysicalMemoryElementName] on Subsystem [MemoryElementName].

Explanation: Memory error discovered during boot..(not a runtime error).

May also be shown as 806f030c201fffff or 0x806f030c201fffff

Severity: Error

Alert Category: Critical - Memory

Serviceable: Yes

CIM Information: Prefix: PLAT and ID: 0136

SNMP Trap ID: 41

Automatically notify Support: No

User response: This is a UEFI detected event. The UEFI diagnostic code for this event can be found in the logged

IMM message text. Please refer to the UEFI diagnostic code in the "UEFI diagnostic code" section of the Information Center for the appropriate user response.

Related Links:

- "Finding the UEFI diagnostic code" on page 648

806f030c-2020ffff Scrub Failure for [PhysicalMemoryElementName] on Subsystem [MemoryElementName].

Explanation: Memory error discovered during boot..(not a runtime error).

May also be shown as 806f030c2020ffff or 0x806f030c2020ffff

Severity: Error

Alert Category: Critical - Memory

Serviceable: Yes

CIM Information: Prefix: PLAT and **ID:** 0136

SNMP Trap ID: 41

Automatically notify Support: No

User response: This is a UEFI detected event. The UEFI diagnostic code for this event can be found in the logged IMM message text. Please refer to the UEFI diagnostic code in the "UEFI diagnostic code" section of the Information Center for the appropriate user response.

Related Links:

- "Finding the UEFI diagnostic code" on page 648

806f030c-202101ff Scrub Failure for [PhysicalMemoryElementName] on Subsystem [MemoryElementName].

Explanation: Memory error discovered during boot..(not a runtime error).

May also be shown as 806f030c202101ff or 0x806f030c202101ff

Severity: Error

Alert Category: Critical - Memory

Serviceable: Yes

CIM Information: Prefix: PLAT and **ID:** 0136

SNMP Trap ID: 41

Automatically notify Support: No

User response: This is a UEFI detected event. The UEFI diagnostic code for this event can be found in the logged IMM message text. Please refer to the UEFI diagnostic code in the "UEFI diagnostic code" section of the Information Center for the appropriate user response.

Related Links:

- "Finding the UEFI diagnostic code" on page 648

806f030c-2021ffff Scrub Failure for [PhysicalMemoryElementName] on Subsystem [MemoryElementName].

Explanation: Memory error discovered during boot..(not a runtime error).

May also be shown as 806f030c2021ffff or 0x806f030c2021ffff

Severity: Error

Alert Category: Critical - Memory

Serviceable: Yes

CIM Information: Prefix: PLAT and **ID:** 0136

SNMP Trap ID: 41

806f030c-2022ffff • 806f030c-2023ffff

Automatically notify Support: No

User response: This is a UEFI detected event. The UEFI diagnostic code for this event can be found in the logged IMM message text. Please refer to the UEFI diagnostic code in the "UEFI diagnostic code" section of the Information Center for the appropriate user response.

Related Links:

- "Finding the UEFI diagnostic code" on page 648

806f030c-2022ffff Scrub Failure for [PhysicalMemoryElementName] on Subsystem [MemoryElementName].

Explanation: Memory error discovered during boot..(not a runtime error).

May also be shown as 806f030c2022ffff or 0x806f030c2022ffff

Severity: Error

Alert Category: Critical - Memory

Serviceable: Yes

CIM Information: Prefix: PLAT and ID: 0136

SNMP Trap ID: 41

Automatically notify Support: No

User response: This is a UEFI detected event. The UEFI diagnostic code for this event can be found in the logged IMM message text. Please refer to the UEFI diagnostic code in the "UEFI diagnostic code" section of the Information Center for the appropriate user response.

Related Links:

- "Finding the UEFI diagnostic code" on page 648

806f030c-202301ff Scrub Failure for [PhysicalMemoryElementName] on Subsystem [MemoryElementName].

Explanation: Memory error discovered during boot..(not a runtime error).

May also be shown as 806f030c202301ff or 0x806f030c202301ff

Severity: Error

Alert Category: Critical - Memory

Serviceable: Yes

CIM Information: Prefix: PLAT and ID: 0136

SNMP Trap ID: 41

Automatically notify Support: No

User response: This is a UEFI detected event. The UEFI diagnostic code for this event can be found in the logged IMM message text. Please refer to the UEFI diagnostic code in the "UEFI diagnostic code" section of the Information Center for the appropriate user response.

Related Links:

- "Finding the UEFI diagnostic code" on page 648

806f030c-2023ffff Scrub Failure for [PhysicalMemoryElementName] on Subsystem [MemoryElementName].

Explanation: Memory error discovered during boot..(not a runtime error).

May also be shown as 806f030c2023ffff or 0x806f030c2023ffff

Severity: Error

Alert Category: Critical - Memory

Serviceable: Yes

CIM Information: Prefix: PLAT and ID: 0136

SNMP Trap ID: 41

Automatically notify Support: No

User response: This is a UEFI detected event. The UEFI diagnostic code for this event can be found in the logged IMM message text. Please refer to the UEFI diagnostic code in the "UEFI diagnostic code" section of the Information Center for the appropriate user response.

Related Links:

- "Finding the UEFI diagnostic code" on page 648

806f030c-2024ffff Scrub Failure for [PhysicalMemoryElementName] on Subsystem [MemoryElementName].

Explanation: Memory error discovered during boot.(not a runtime error).

May also be shown as 806f030c2024ffff or 0x806f030c2024ffff

Severity: Error

Alert Category: Critical - Memory

Serviceable: Yes

CIM Information: Prefix: PLAT and ID: 0136

SNMP Trap ID: 41

Automatically notify Support: No

User response: This is a UEFI detected event. The UEFI diagnostic code for this event can be found in the logged IMM message text. Please refer to the UEFI diagnostic code in the "UEFI diagnostic code" section of the Information Center for the appropriate user response.

Related Links:

- "Finding the UEFI diagnostic code" on page 648

806f030c-202502ff Scrub Failure for [PhysicalMemoryElementName] on Subsystem [MemoryElementName].

Explanation: Memory error discovered during boot.(not a runtime error).

May also be shown as 806f030c202502ff or 0x806f030c202502ff

Severity: Error

Alert Category: Critical - Memory

Serviceable: Yes

CIM Information: Prefix: PLAT and ID: 0136

SNMP Trap ID: 41

Automatically notify Support: No

User response: This is a UEFI detected event. The UEFI diagnostic code for this event can be found in the logged IMM message text. Please refer to the UEFI diagnostic code in the "UEFI diagnostic code" section of the Information Center for the appropriate user response.

Related Links:

- "Finding the UEFI diagnostic code" on page 648

806f030c-2025ffff Scrub Failure for [PhysicalMemoryElementName] on Subsystem [MemoryElementName].

Explanation: Memory error discovered during boot.(not a runtime error).

May also be shown as 806f030c2025ffff or 0x806f030c2025ffff

Severity: Error

806f030c-202602ff • 806f030c-2026ffff

Alert Category: Critical - Memory

Serviceable: Yes

CIM Information: **Prefix:** PLAT and **ID:** 0136

SNMP Trap ID: 41

Automatically notify Support: No

User response: This is a UEFI detected event. The UEFI diagnostic code for this event can be found in the logged IMM message text. Please refer to the UEFI diagnostic code in the "UEFI diagnostic code" section of the Information Center for the appropriate user response.

Related Links:

- "Finding the UEFI diagnostic code" on page 648

806f030c-202602ff Scrub Failure for [PhysicalMemoryElementName] on Subsystem [MemoryElementName].

Explanation: Memory error discovered during boot..(not a runtime error).

May also be shown as 806f030c202602ff or 0x806f030c202602ff

Severity: Error

Alert Category: Critical - Memory

Serviceable: Yes

CIM Information: **Prefix:** PLAT and **ID:** 0136

SNMP Trap ID: 41

Automatically notify Support: No

User response: This is a UEFI detected event. The UEFI diagnostic code for this event can be found in the logged IMM message text. Please refer to the UEFI diagnostic code in the "UEFI diagnostic code" section of the Information Center for the appropriate user response.

Related Links:

- "Finding the UEFI diagnostic code" on page 648

806f030c-2026ffff Scrub Failure for [PhysicalMemoryElementName] on Subsystem [MemoryElementName].

Explanation: Memory error discovered during boot..(not a runtime error).

May also be shown as 806f030c2026ffff or 0x806f030c2026ffff

Severity: Error

Alert Category: Critical - Memory

Serviceable: Yes

CIM Information: **Prefix:** PLAT and **ID:** 0136

SNMP Trap ID: 41

Automatically notify Support: No

User response: This is a UEFI detected event. The UEFI diagnostic code for this event can be found in the logged IMM message text. Please refer to the UEFI diagnostic code in the "UEFI diagnostic code" section of the Information Center for the appropriate user response.

Related Links:

- "Finding the UEFI diagnostic code" on page 648

806f030c-202702ff Scrub Failure for [PhysicalMemoryElementName] on Subsystem [MemoryElementName].

Explanation: Memory error discovered during boot..(not a runtime error).

May also be shown as 806f030c202702ff or 0x806f030c202702ff

Severity: Error

Alert Category: Critical - Memory

Serviceable: Yes

CIM Information: Prefix: PLAT and ID: 0136

SNMP Trap ID: 41

Automatically notify Support: No

User response: This is a UEFI detected event. The UEFI diagnostic code for this event can be found in the logged IMM message text. Please refer to the UEFI diagnostic code in the "UEFI diagnostic code" section of the Information Center for the appropriate user response.

Related Links:

- "Finding the UEFI diagnostic code" on page 648

806f030c-2027ffff Scrub Failure for [PhysicalMemoryElementName] on Subsystem [MemoryElementName].

Explanation: Memory error discovered during boot..(not a runtime error).

May also be shown as 806f030c2027ffff or 0x806f030c2027ffff

Severity: Error

Alert Category: Critical - Memory

Serviceable: Yes

CIM Information: Prefix: PLAT and ID: 0136

SNMP Trap ID: 41

Automatically notify Support: No

User response: This is a UEFI detected event. The UEFI diagnostic code for this event can be found in the logged IMM message text. Please refer to the UEFI diagnostic code in the "UEFI diagnostic code" section of the Information Center for the appropriate user response.

Related Links:

- "Finding the UEFI diagnostic code" on page 648

806f030c-202802ff Scrub Failure for [PhysicalMemoryElementName] on Subsystem [MemoryElementName].

Explanation: Memory error discovered during boot..(not a runtime error).

May also be shown as 806f030c202802ff or 0x806f030c202802ff

Severity: Error

Alert Category: Critical - Memory

Serviceable: Yes

CIM Information: Prefix: PLAT and ID: 0136

SNMP Trap ID: 41

Automatically notify Support: No

User response: This is a UEFI detected event. The UEFI diagnostic code for this event can be found in the logged IMM message text. Please refer to the UEFI diagnostic code in the "UEFI diagnostic code" section of the Information Center for the appropriate user response.

Related Links:

806f030c-2028ffff • 806f030c-2029ffff

- “Finding the UEFI diagnostic code” on page 648

806f030c-2028ffff Scrub Failure for [PhysicalMemoryElementName] on Subsystem [MemoryElementName].

Explanation: Memory error discovered during boot..(not a runtime error).

May also be shown as 806f030c2028ffff or 0x806f030c2028ffff

Severity: Error

Alert Category: Critical - Memory

Serviceable: Yes

CIM Information: **Prefix:** PLAT and **ID:** 0136

SNMP Trap ID: 41

Automatically notify Support: No

User response: This is a UEFI detected event. The UEFI diagnostic code for this event can be found in the logged IMM message text. Please refer to the UEFI diagnostic code in the "UEFI diagnostic code" section of the Information Center for the appropriate user response.

Related Links:

- “Finding the UEFI diagnostic code” on page 648

806f030c-202902ff Scrub Failure for [PhysicalMemoryElementName] on Subsystem [MemoryElementName].

Explanation: Memory error discovered during boot..(not a runtime error).

May also be shown as 806f030c202902ff or 0x806f030c202902ff

Severity: Error

Alert Category: Critical - Memory

Serviceable: Yes

CIM Information: **Prefix:** PLAT and **ID:** 0136

SNMP Trap ID: 41

Automatically notify Support: No

User response: This is a UEFI detected event. The UEFI diagnostic code for this event can be found in the logged IMM message text. Please refer to the UEFI diagnostic code in the "UEFI diagnostic code" section of the Information Center for the appropriate user response.

Related Links:

- “Finding the UEFI diagnostic code” on page 648

806f030c-2029ffff Scrub Failure for [PhysicalMemoryElementName] on Subsystem [MemoryElementName].

Explanation: Memory error discovered during boot..(not a runtime error).

May also be shown as 806f030c2029ffff or 0x806f030c2029ffff

Severity: Error

Alert Category: Critical - Memory

Serviceable: Yes

CIM Information: **Prefix:** PLAT and **ID:** 0136

SNMP Trap ID: 41

Automatically notify Support: No

User response: This is a UEFI detected event. The UEFI diagnostic code for this event can be found in the logged

IMM message text. Please refer to the UEFI diagnostic code in the "UEFI diagnostic code" section of the Information Center for the appropriate user response.

Related Links:

- "Finding the UEFI diagnostic code" on page 648

806f030c-202affff Scrub Failure for [PhysicalMemoryElementName] on Subsystem [MemoryElementName].

Explanation: Memory error discovered during boot..(not a runtime error).

May also be shown as 806f030c202affff or 0x806f030c202affff

Severity: Error

Alert Category: Critical - Memory

Serviceable: Yes

CIM Information: Prefix: PLAT and ID: 0136

SNMP Trap ID: 41

Automatically notify Support: No

User response: This is a UEFI detected event. The UEFI diagnostic code for this event can be found in the logged IMM message text. Please refer to the UEFI diagnostic code in the "UEFI diagnostic code" section of the Information Center for the appropriate user response.

Related Links:

- "Finding the UEFI diagnostic code" on page 648

806f030c-202bffff Scrub Failure for [PhysicalMemoryElementName] on Subsystem [MemoryElementName].

Explanation: Memory error discovered during boot..(not a runtime error).

May also be shown as 806f030c202bffff or 0x806f030c202bffff

Severity: Error

Alert Category: Critical - Memory

Serviceable: Yes

CIM Information: Prefix: PLAT and ID: 0136

SNMP Trap ID: 41

Automatically notify Support: No

User response: This is a UEFI detected event. The UEFI diagnostic code for this event can be found in the logged IMM message text. Please refer to the UEFI diagnostic code in the "UEFI diagnostic code" section of the Information Center for the appropriate user response.

Related Links:

- "Finding the UEFI diagnostic code" on page 648

806f030c-202c02ff Scrub Failure for [PhysicalMemoryElementName] on Subsystem [MemoryElementName].

Explanation: Memory error discovered during boot..(not a runtime error).

May also be shown as 806f030c202c02ff or 0x806f030c202c02ff

Severity: Error

Alert Category: Critical - Memory

Serviceable: Yes

CIM Information: Prefix: PLAT and ID: 0136

SNMP Trap ID: 41

806f030c-202cffff • 806f030c-202dffff

Automatically notify Support: No

User response: This is a UEFI detected event. The UEFI diagnostic code for this event can be found in the logged IMM message text. Please refer to the UEFI diagnostic code in the "UEFI diagnostic code" section of the Information Center for the appropriate user response.

Related Links:

- "Finding the UEFI diagnostic code" on page 648

806f030c-202cffff Scrub Failure for [PhysicalMemoryElementName] on Subsystem [MemoryElementName].

Explanation: Memory error discovered during boot..(not a runtime error).

May also be shown as 806f030c202cffff or 0x806f030c202cffff

Severity: Error

Alert Category: Critical - Memory

Serviceable: Yes

CIM Information: Prefix: PLAT and ID: 0136

SNMP Trap ID: 41

Automatically notify Support: No

User response: This is a UEFI detected event. The UEFI diagnostic code for this event can be found in the logged IMM message text. Please refer to the UEFI diagnostic code in the "UEFI diagnostic code" section of the Information Center for the appropriate user response.

Related Links:

- "Finding the UEFI diagnostic code" on page 648

806f030c-202d02ff Scrub Failure for [PhysicalMemoryElementName] on Subsystem [MemoryElementName].

Explanation: Memory error discovered during boot..(not a runtime error).

May also be shown as 806f030c202d02ff or 0x806f030c202d02ff

Severity: Error

Alert Category: Critical - Memory

Serviceable: Yes

CIM Information: Prefix: PLAT and ID: 0136

SNMP Trap ID: 41

Automatically notify Support: No

User response: This is a UEFI detected event. The UEFI diagnostic code for this event can be found in the logged IMM message text. Please refer to the UEFI diagnostic code in the "UEFI diagnostic code" section of the Information Center for the appropriate user response.

Related Links:

- "Finding the UEFI diagnostic code" on page 648

806f030c-202dffff Scrub Failure for [PhysicalMemoryElementName] on Subsystem [MemoryElementName].

Explanation: Memory error discovered during boot..(not a runtime error).

May also be shown as 806f030c202dffff or 0x806f030c202dffff

Severity: Error

Alert Category: Critical - Memory

Serviceable: Yes

CIM Information: Prefix: PLAT and ID: 0136

SNMP Trap ID: 41

Automatically notify Support: No

User response: This is a UEFI detected event. The UEFI diagnostic code for this event can be found in the logged IMM message text. Please refer to the UEFI diagnostic code in the "UEFI diagnostic code" section of the Information Center for the appropriate user response.

Related Links:

- "Finding the UEFI diagnostic code" on page 648

806f030c-202e02ff Scrub Failure for [PhysicalMemoryElementName] on Subsystem [MemoryElementName].

Explanation: Memory error discovered during boot.(not a runtime error).

May also be shown as 806f030c202e02ff or 0x806f030c202e02ff

Severity: Error

Alert Category: Critical - Memory

Serviceable: Yes

CIM Information: Prefix: PLAT and ID: 0136

SNMP Trap ID: 41

Automatically notify Support: No

User response: This is a UEFI detected event. The UEFI diagnostic code for this event can be found in the logged IMM message text. Please refer to the UEFI diagnostic code in the "UEFI diagnostic code" section of the Information Center for the appropriate user response.

Related Links:

- "Finding the UEFI diagnostic code" on page 648

806f030c-202effff Scrub Failure for [PhysicalMemoryElementName] on Subsystem [MemoryElementName].

Explanation: Memory error discovered during boot.(not a runtime error).

May also be shown as 806f030c202effff or 0x806f030c202effff

Severity: Error

Alert Category: Critical - Memory

Serviceable: Yes

CIM Information: Prefix: PLAT and ID: 0136

SNMP Trap ID: 41

Automatically notify Support: No

User response: This is a UEFI detected event. The UEFI diagnostic code for this event can be found in the logged IMM message text. Please refer to the UEFI diagnostic code in the "UEFI diagnostic code" section of the Information Center for the appropriate user response.

Related Links:

- "Finding the UEFI diagnostic code" on page 648

806f030c-202f02ff Scrub Failure for [PhysicalMemoryElementName] on Subsystem [MemoryElementName].

Explanation: Memory error discovered during boot.(not a runtime error).

May also be shown as 806f030c202f02ff or 0x806f030c202f02ff

Severity: Error

806f030c-202ffff • 806f030c-203002ff

Alert Category: Critical - Memory

Serviceable: Yes

CIM Information: **Prefix:** PLAT and **ID:** 0136

SNMP Trap ID: 41

Automatically notify Support: No

User response: This is a UEFI detected event. The UEFI diagnostic code for this event can be found in the logged IMM message text. Please refer to the UEFI diagnostic code in the "UEFI diagnostic code" section of the Information Center for the appropriate user response.

Related Links:

- "Finding the UEFI diagnostic code" on page 648

806f030c-202ffff Scrub Failure for [PhysicalMemoryElementName] on Subsystem [MemoryElementName].

Explanation: Memory error discovered during boot..(not a runtime error).

May also be shown as 806f030c202ffff or 0x806f030c202ffff

Severity: Error

Alert Category: Critical - Memory

Serviceable: Yes

CIM Information: **Prefix:** PLAT and **ID:** 0136

SNMP Trap ID: 41

Automatically notify Support: No

User response: This is a UEFI detected event. The UEFI diagnostic code for this event can be found in the logged IMM message text. Please refer to the UEFI diagnostic code in the "UEFI diagnostic code" section of the Information Center for the appropriate user response.

Related Links:

- "Finding the UEFI diagnostic code" on page 648

806f030c-203002ff Scrub Failure for [PhysicalMemoryElementName] on Subsystem [MemoryElementName].

Explanation: Memory error discovered during boot..(not a runtime error).

May also be shown as 806f030c203002ff or 0x806f030c203002ff

Severity: Error

Alert Category: Critical - Memory

Serviceable: Yes

CIM Information: **Prefix:** PLAT and **ID:** 0136

SNMP Trap ID: 41

Automatically notify Support: No

User response: This is a UEFI detected event. The UEFI diagnostic code for this event can be found in the logged IMM message text. Please refer to the UEFI diagnostic code in the "UEFI diagnostic code" section of the Information Center for the appropriate user response.

Related Links:

- "Finding the UEFI diagnostic code" on page 648

806f030c-2030ffff Scrub Failure for [PhysicalMemoryElementName] on Subsystem [MemoryElementName].

Explanation: Memory error discovered during boot.(not a runtime error).

May also be shown as 806f030c2030ffff or 0x806f030c2030ffff

Severity: Error

Alert Category: Critical - Memory

Serviceable: Yes

CIM Information: Prefix: PLAT and ID: 0136

SNMP Trap ID: 41

Automatically notify Support: No

User response: This is a UEFI detected event. The UEFI diagnostic code for this event can be found in the logged IMM message text. Please refer to the UEFI diagnostic code in the "UEFI diagnostic code" section of the Information Center for the appropriate user response.

Related Links:

- "Finding the UEFI diagnostic code" on page 648

806f030c-2581ffff Scrub Failure for [PhysicalMemoryElementName] on Subsystem [MemoryElementName].

Explanation: Memory error discovered during boot.(not a runtime error).

May also be shown as 806f030c2581ffff or 0x806f030c2581ffff

Severity: Error

Alert Category: Critical - Memory

Serviceable: Yes

CIM Information: Prefix: PLAT and ID: 0136

SNMP Trap ID: 41

Automatically notify Support: No

User response: This is a UEFI detected event. The UEFI diagnostic code for this event can be found in the logged IMM message text. Please refer to the UEFI diagnostic code in the "UEFI diagnostic code" section of the Information Center for the appropriate user response.

Related Links:

- "Finding the UEFI diagnostic code" on page 648

806f030d-0400ffff Hot Spare enabled for [ComputerSystemElementName].

Explanation: A hot spare drive is available.

May also be shown as 806f030d0400ffff or 0x806f030d0400ffff

Severity: Info

Alert Category: System - Other

Serviceable: No

CIM Information: Prefix: PLAT and ID: 0170

SNMP Trap ID:

Automatically notify Support: No

User response: Information only; no action is required.

806f030d-0401ffff • 806f030d-0404ffff

806f030d-0401ffff Hot Spare enabled for [ComputerSystemElementName].

Explanation: A hot spare drive is available.

May also be shown as 806f030d0401ffff or 0x806f030d0401ffff

Severity: Info

Alert Category: System - Other

Serviceable: No

CIM Information: Prefix: PLAT and ID: 0170

SNMP Trap ID:

Automatically notify Support: No

User response: Information only; no action is required.

806f030d-0402ffff Hot Spare enabled for [ComputerSystemElementName].

Explanation: A hot spare drive is available.

May also be shown as 806f030d0402ffff or 0x806f030d0402ffff

Severity: Info

Alert Category: System - Other

Serviceable: No

CIM Information: Prefix: PLAT and ID: 0170

SNMP Trap ID:

Automatically notify Support: No

User response: Information only; no action is required.

806f030d-0403ffff Hot Spare enabled for [ComputerSystemElementName].

Explanation: A hot spare drive is available.

May also be shown as 806f030d0403ffff or 0x806f030d0403ffff

Severity: Info

Alert Category: System - Other

Serviceable: No

CIM Information: Prefix: PLAT and ID: 0170

SNMP Trap ID:

Automatically notify Support: No

User response: Information only; no action is required.

806f030d-0404ffff Hot Spare enabled for [ComputerSystemElementName].

Explanation: A hot spare drive is available.

May also be shown as 806f030d0404ffff or 0x806f030d0404ffff

Severity: Info

Alert Category: System - Other

Serviceable: No

CIM Information: Prefix: PLAT and ID: 0170

SNMP Trap ID:

Automatically notify Support: No

User response: Information only; no action is required.

806f030d-0405ffff Hot Spare enabled for [ComputerSystemElementName].

Explanation: A hot spare drive is available.

May also be shown as 806f030d0405ffff or 0x806f030d0405ffff

Severity: Info

Alert Category: System - Other

Serviceable: No

CIM Information: Prefix: PLAT and ID: 0170

SNMP Trap ID:

Automatically notify Support: No

User response: Information only; no action is required.

806f030d-0406ffff Hot Spare enabled for [ComputerSystemElementName].

Explanation: A hot spare drive is available.

May also be shown as 806f030d0406ffff or 0x806f030d0406ffff

Severity: Info

Alert Category: System - Other

Serviceable: No

CIM Information: Prefix: PLAT and ID: 0170

SNMP Trap ID:

Automatically notify Support: No

User response: Information only; no action is required.

806f030d-0407ffff Hot Spare enabled for [ComputerSystemElementName].

Explanation: A hot spare drive is available.

May also be shown as 806f030d0407ffff or 0x806f030d0407ffff

Severity: Info

Alert Category: System - Other

Serviceable: No

CIM Information: Prefix: PLAT and ID: 0170

SNMP Trap ID:

Automatically notify Support: No

User response: Information only; no action is required.

806f0313-1701ffff A software NMI has occurred on system [ComputerSystemElementName].

Explanation: A software NMI has occurred. The compute node might have restarted, depending on the configuration setting.

May also be shown as 806f03131701ffff or 0x806f03131701ffff

806f0323-2101ffff • 806f032b-2101ffff

Severity: Error

Alert Category: Critical - Other

Serviceable: Yes

CIM Information: Prefix: PLAT and ID: 0228

SNMP Trap ID: 50

Automatically notify Support: No

User response: Check the operating-system logs and resolve any issues related the NMI.

806f0323-2101ffff Power cycle of system [ComputerSystemElementName] initiated by watchdog [WatchdogElementName].

Explanation: The IPMI watchdog timer has expired. The compute node has been powered off and powered on.

May also be shown as 806f03232101ffff or 0x806f03232101ffff

Severity: Info

Alert Category: System - Other

Serviceable: No

CIM Information: Prefix: PLAT and ID: 0374

SNMP Trap ID:

Automatically notify Support: No

User response: Information only; no action is required.

806f032b-210100ff A firmware or software incompatibility was detected on system [ComputerSystemElementName].

Explanation: A mismatch of IMM firmware between nodes has been detected.

May also be shown as 806f032b210100ff or 0x806f032b210100ff

Severity: Error

Alert Category: Critical - Hardware Incompatibility

Serviceable: Yes

CIM Information: Prefix: PLAT and ID: 0442

SNMP Trap ID: 36

Automatically notify Support: No

User response: Attempt to flash the IMM firmware to the same level on all nodes.

806f032b-2101ffff A firmware or software incompatibility was detected on system [ComputerSystemElementName].

Explanation: A mismatch of IMM firmware between nodes has been detected.

May also be shown as 806f032b2101ffff or 0x806f032b2101ffff

Severity: Error

Alert Category: Critical - Hardware Incompatibility

Serviceable: Yes

CIM Information: Prefix: PLAT and ID: 0442

SNMP Trap ID: 36

Automatically notify Support: No

User response: Attempt to flash the IMM firmware to the same level on all nodes.

806f040c-2001ffff [PhysicalMemoryElementName] Disabled on Subsystem [MemoryElementName].

Explanation: Memory has been Disabled.

May also be shown as 806f040c2001ffff or 0x806f040c2001ffff

Severity: Info

Alert Category: System - Other

Serviceable: No

CIM Information: Prefix: PLAT and ID: 0131

SNMP Trap ID:

Automatically notify Support: No

User response: This is a UEFI detected event. The UEFI diagnostic code for this event can be found in the logged IMM message text. Please refer to the UEFI diagnostic code in the "UEFI diagnostic code" section of the Information Center for the appropriate user response.

Related Links:

- "Finding the UEFI diagnostic code" on page 648

806f040c-2002ffff [PhysicalMemoryElementName] Disabled on Subsystem [MemoryElementName].

Explanation: Memory has been Disabled.

May also be shown as 806f040c2002ffff or 0x806f040c2002ffff

Severity: Info

Alert Category: System - Other

Serviceable: No

CIM Information: Prefix: PLAT and ID: 0131

SNMP Trap ID:

Automatically notify Support: No

User response: This is a UEFI detected event. The UEFI diagnostic code for this event can be found in the logged IMM message text. Please refer to the UEFI diagnostic code in the "UEFI diagnostic code" section of the Information Center for the appropriate user response.

Related Links:

- "Finding the UEFI diagnostic code" on page 648

806f040c-2003ffff [PhysicalMemoryElementName] Disabled on Subsystem [MemoryElementName].

Explanation: Memory has been Disabled.

May also be shown as 806f040c2003ffff or 0x806f040c2003ffff

Severity: Info

Alert Category: System - Other

Serviceable: No

CIM Information: Prefix: PLAT and ID: 0131

SNMP Trap ID:

Automatically notify Support: No

User response: This is a UEFI detected event. The UEFI diagnostic code for this event can be found in the logged

806f040c-2004ffff • 806f040c-2006ffff

IMM message text. Please refer to the UEFI diagnostic code in the "UEFI diagnostic code" section of the Information Center for the appropriate user response.

Related Links:

- "Finding the UEFI diagnostic code" on page 648

806f040c-2004ffff [PhysicalMemoryElementName] Disabled on Subsystem [MemoryElementName].

Explanation: Memory has been Disabled.

May also be shown as 806f040c2004ffff or 0x806f040c2004ffff

Severity: Info

Alert Category: System - Other

Serviceable: No

CIM Information: Prefix: PLAT and ID: 0131

SNMP Trap ID:

Automatically notify Support: No

User response: This is a UEFI detected event. The UEFI diagnostic code for this event can be found in the logged IMM message text. Please refer to the UEFI diagnostic code in the "UEFI diagnostic code" section of the Information Center for the appropriate user response.

Related Links:

- "Finding the UEFI diagnostic code" on page 648

806f040c-2005ffff [PhysicalMemoryElementName] Disabled on Subsystem [MemoryElementName].

Explanation: Memory has been Disabled.

May also be shown as 806f040c2005ffff or 0x806f040c2005ffff

Severity: Info

Alert Category: System - Other

Serviceable: No

CIM Information: Prefix: PLAT and ID: 0131

SNMP Trap ID:

Automatically notify Support: No

User response: This is a UEFI detected event. The UEFI diagnostic code for this event can be found in the logged IMM message text. Please refer to the UEFI diagnostic code in the "UEFI diagnostic code" section of the Information Center for the appropriate user response.

Related Links:

- "Finding the UEFI diagnostic code" on page 648

806f040c-2006ffff [PhysicalMemoryElementName] Disabled on Subsystem [MemoryElementName].

Explanation: Memory has been Disabled.

May also be shown as 806f040c2006ffff or 0x806f040c2006ffff

Severity: Info

Alert Category: System - Other

Serviceable: No

CIM Information: Prefix: PLAT and ID: 0131

SNMP Trap ID:

Automatically notify Support: No

User response: This is a UEFI detected event. The UEFI diagnostic code for this event can be found in the logged IMM message text. Please refer to the UEFI diagnostic code in the "UEFI diagnostic code" section of the Information Center for the appropriate user response.

Related Links:

- "Finding the UEFI diagnostic code" on page 648

806f040c-2007ffff [PhysicalMemoryElementName] Disabled on Subsystem [MemoryElementName].

Explanation: Memory has been Disabled.

May also be shown as 806f040c2007ffff or 0x806f040c2007ffff

Severity: Info

Alert Category: System - Other

Serviceable: No

CIM Information: Prefix: PLAT and ID: 0131

SNMP Trap ID:

Automatically notify Support: No

User response: This is a UEFI detected event. The UEFI diagnostic code for this event can be found in the logged IMM message text. Please refer to the UEFI diagnostic code in the "UEFI diagnostic code" section of the Information Center for the appropriate user response.

Related Links:

- "Finding the UEFI diagnostic code" on page 648

806f040c-2008ffff [PhysicalMemoryElementName] Disabled on Subsystem [MemoryElementName].

Explanation: Memory has been Disabled.

May also be shown as 806f040c2008ffff or 0x806f040c2008ffff

Severity: Info

Alert Category: System - Other

Serviceable: No

CIM Information: Prefix: PLAT and ID: 0131

SNMP Trap ID:

Automatically notify Support: No

User response: This is a UEFI detected event. The UEFI diagnostic code for this event can be found in the logged IMM message text. Please refer to the UEFI diagnostic code in the "UEFI diagnostic code" section of the Information Center for the appropriate user response.

Related Links:

- "Finding the UEFI diagnostic code" on page 648

806f040c-2009ffff [PhysicalMemoryElementName] Disabled on Subsystem [MemoryElementName].

Explanation: Memory has been Disabled.

May also be shown as 806f040c2009ffff or 0x806f040c2009ffff

Severity: Info

Alert Category: System - Other

Serviceable: No

806f040c-200affff • 806f040c-200cffff

CIM Information: Prefix: PLAT and ID: 0131

SNMP Trap ID:

Automatically notify Support: No

User response: This is a UEFI detected event. The UEFI diagnostic code for this event can be found in the logged IMM message text. Please refer to the UEFI diagnostic code in the "UEFI diagnostic code" section of the Information Center for the appropriate user response.

Related Links:

- "Finding the UEFI diagnostic code" on page 648

806f040c-200affff [PhysicalMemoryElementName] Disabled on Subsystem [MemoryElementName].

Explanation: Memory has been Disabled.

May also be shown as 806f040c200affff or 0x806f040c200affff

Severity: Info

Alert Category: System - Other

Serviceable: No

CIM Information: Prefix: PLAT and ID: 0131

SNMP Trap ID:

Automatically notify Support: No

User response: This is a UEFI detected event. The UEFI diagnostic code for this event can be found in the logged IMM message text. Please refer to the UEFI diagnostic code in the "UEFI diagnostic code" section of the Information Center for the appropriate user response.

Related Links:

- "Finding the UEFI diagnostic code" on page 648

806f040c-200bffff [PhysicalMemoryElementName] Disabled on Subsystem [MemoryElementName].

Explanation: Memory has been Disabled.

May also be shown as 806f040c200bffff or 0x806f040c200bffff

Severity: Info

Alert Category: System - Other

Serviceable: No

CIM Information: Prefix: PLAT and ID: 0131

SNMP Trap ID:

Automatically notify Support: No

User response: This is a UEFI detected event. The UEFI diagnostic code for this event can be found in the logged IMM message text. Please refer to the UEFI diagnostic code in the "UEFI diagnostic code" section of the Information Center for the appropriate user response.

Related Links:

- "Finding the UEFI diagnostic code" on page 648

806f040c-200cffff [PhysicalMemoryElementName] Disabled on Subsystem [MemoryElementName].

Explanation: Memory has been Disabled.

May also be shown as 806f040c200cffff or 0x806f040c200cffff

Severity: Info

Alert Category: System - Other

Serviceable: No

CIM Information: Prefix: PLAT and ID: 0131

SNMP Trap ID:

Automatically notify Support: No

User response: This is a UEFI detected event. The UEFI diagnostic code for this event can be found in the logged IMM message text. Please refer to the UEFI diagnostic code in the "UEFI diagnostic code" section of the Information Center for the appropriate user response.

Related Links:

- "Finding the UEFI diagnostic code" on page 648

806f040c-200dffff [PhysicalMemoryElementName] Disabled on Subsystem [MemoryElementName].

Explanation: Memory has been Disabled.

May also be shown as 806f040c200dffff or 0x806f040c200dffff

Severity: Info

Alert Category: System - Other

Serviceable: No

CIM Information: Prefix: PLAT and ID: 0131

SNMP Trap ID:

Automatically notify Support: No

User response: This is a UEFI detected event. The UEFI diagnostic code for this event can be found in the logged IMM message text. Please refer to the UEFI diagnostic code in the "UEFI diagnostic code" section of the Information Center for the appropriate user response.

Related Links:

- "Finding the UEFI diagnostic code" on page 648

806f040c-200effff [PhysicalMemoryElementName] Disabled on Subsystem [MemoryElementName].

Explanation: Memory has been Disabled.

May also be shown as 806f040c200effff or 0x806f040c200effff

Severity: Info

Alert Category: System - Other

Serviceable: No

CIM Information: Prefix: PLAT and ID: 0131

SNMP Trap ID:

Automatically notify Support: No

User response: This is a UEFI detected event. The UEFI diagnostic code for this event can be found in the logged IMM message text. Please refer to the UEFI diagnostic code in the "UEFI diagnostic code" section of the Information Center for the appropriate user response.

Related Links:

- "Finding the UEFI diagnostic code" on page 648

806f040c-200ffff • 806f040c-2011ffff

806f040c-200ffff [PhysicalMemoryElementName] Disabled on Subsystem [MemoryElementName].

Explanation: Memory has been Disabled.

May also be shown as 806f040c200ffff or 0x806f040c200ffff

Severity: Info

Alert Category: System - Other

Serviceable: No

CIM Information: Prefix: PLAT and ID: 0131

SNMP Trap ID:

Automatically notify Support: No

User response: This is a UEFI detected event. The UEFI diagnostic code for this event can be found in the logged IMM message text. Please refer to the UEFI diagnostic code in the "UEFI diagnostic code" section of the Information Center for the appropriate user response.

Related Links:

- "Finding the UEFI diagnostic code" on page 648
-

806f040c-2010ffff [PhysicalMemoryElementName] Disabled on Subsystem [MemoryElementName].

Explanation: Memory has been Disabled.

May also be shown as 806f040c2010ffff or 0x806f040c2010ffff

Severity: Info

Alert Category: System - Other

Serviceable: No

CIM Information: Prefix: PLAT and ID: 0131

SNMP Trap ID:

Automatically notify Support: No

User response: This is a UEFI detected event. The UEFI diagnostic code for this event can be found in the logged IMM message text. Please refer to the UEFI diagnostic code in the "UEFI diagnostic code" section of the Information Center for the appropriate user response.

Related Links:

- "Finding the UEFI diagnostic code" on page 648
-

806f040c-2011ffff [PhysicalMemoryElementName] Disabled on Subsystem [MemoryElementName].

Explanation: Memory has been Disabled.

May also be shown as 806f040c2011ffff or 0x806f040c2011ffff

Severity: Info

Alert Category: System - Other

Serviceable: No

CIM Information: Prefix: PLAT and ID: 0131

SNMP Trap ID:

Automatically notify Support: No

User response: This is a UEFI detected event. The UEFI diagnostic code for this event can be found in the logged IMM message text. Please refer to the UEFI diagnostic code in the "UEFI diagnostic code" section of the Information Center for the appropriate user response.

Related Links:

- “Finding the UEFI diagnostic code” on page 648

806f040c-2012ffff [PhysicalMemoryElementName] Disabled on Subsystem [MemoryElementName].

Explanation: Memory has been Disabled.

May also be shown as 806f040c2012ffff or 0x806f040c2012ffff

Severity: Info

Alert Category: System - Other

Serviceable: No

CIM Information: Prefix: PLAT and ID: 0131

SNMP Trap ID:

Automatically notify Support: No

User response: This is a UEFI detected event. The UEFI diagnostic code for this event can be found in the logged IMM message text. Please refer to the UEFI diagnostic code in the "UEFI diagnostic code" section of the Information Center for the appropriate user response.

Related Links:

- “Finding the UEFI diagnostic code” on page 648

806f040c-2013ffff [PhysicalMemoryElementName] Disabled on Subsystem [MemoryElementName].

Explanation: Memory has been Disabled.

May also be shown as 806f040c2013ffff or 0x806f040c2013ffff

Severity: Info

Alert Category: System - Other

Serviceable: No

CIM Information: Prefix: PLAT and ID: 0131

SNMP Trap ID:

Automatically notify Support: No

User response: This is a UEFI detected event. The UEFI diagnostic code for this event can be found in the logged IMM message text. Please refer to the UEFI diagnostic code in the "UEFI diagnostic code" section of the Information Center for the appropriate user response.

Related Links:

- “Finding the UEFI diagnostic code” on page 648

806f040c-2014ffff [PhysicalMemoryElementName] Disabled on Subsystem [MemoryElementName].

Explanation: Memory has been Disabled.

May also be shown as 806f040c2014ffff or 0x806f040c2014ffff

Severity: Info

Alert Category: System - Other

Serviceable: No

CIM Information: Prefix: PLAT and ID: 0131

SNMP Trap ID:

Automatically notify Support: No

User response: This is a UEFI detected event. The UEFI diagnostic code for this event can be found in the logged

806f040c-2015ffff • 806f040c-2017ffff

IMM message text. Please refer to the UEFI diagnostic code in the "UEFI diagnostic code" section of the Information Center for the appropriate user response.

Related Links:

- "Finding the UEFI diagnostic code" on page 648

806f040c-2015ffff [PhysicalMemoryElementName] Disabled on Subsystem [MemoryElementName].

Explanation: Memory has been Disabled.

May also be shown as 806f040c2015ffff or 0x806f040c2015ffff

Severity: Info

Alert Category: System - Other

Serviceable: No

CIM Information: Prefix: PLAT and ID: 0131

SNMP Trap ID:

Automatically notify Support: No

User response: This is a UEFI detected event. The UEFI diagnostic code for this event can be found in the logged IMM message text. Please refer to the UEFI diagnostic code in the "UEFI diagnostic code" section of the Information Center for the appropriate user response.

Related Links:

- "Finding the UEFI diagnostic code" on page 648

806f040c-2016ffff [PhysicalMemoryElementName] Disabled on Subsystem [MemoryElementName].

Explanation: Memory has been Disabled.

May also be shown as 806f040c2016ffff or 0x806f040c2016ffff

Severity: Info

Alert Category: System - Other

Serviceable: No

CIM Information: Prefix: PLAT and ID: 0131

SNMP Trap ID:

Automatically notify Support: No

User response: This is a UEFI detected event. The UEFI diagnostic code for this event can be found in the logged IMM message text. Please refer to the UEFI diagnostic code in the "UEFI diagnostic code" section of the Information Center for the appropriate user response.

Related Links:

- "Finding the UEFI diagnostic code" on page 648

806f040c-2017ffff [PhysicalMemoryElementName] Disabled on Subsystem [MemoryElementName].

Explanation: Memory has been Disabled.

May also be shown as 806f040c2017ffff or 0x806f040c2017ffff

Severity: Info

Alert Category: System - Other

Serviceable: No

CIM Information: Prefix: PLAT and ID: 0131

SNMP Trap ID:

Automatically notify Support: No

User response: This is a UEFI detected event. The UEFI diagnostic code for this event can be found in the logged IMM message text. Please refer to the UEFI diagnostic code in the "UEFI diagnostic code" section of the Information Center for the appropriate user response.

Related Links:

- "Finding the UEFI diagnostic code" on page 648

806f040c-2018ffff [PhysicalMemoryElementName] Disabled on Subsystem [MemoryElementName].

Explanation: Memory has been Disabled.

May also be shown as 806f040c2018ffff or 0x806f040c2018ffff

Severity: Info

Alert Category: System - Other

Serviceable: No

CIM Information: Prefix: PLAT and ID: 0131

SNMP Trap ID:

Automatically notify Support: No

User response: This is a UEFI detected event. The UEFI diagnostic code for this event can be found in the logged IMM message text. Please refer to the UEFI diagnostic code in the "UEFI diagnostic code" section of the Information Center for the appropriate user response.

Related Links:

- "Finding the UEFI diagnostic code" on page 648

806f040c-2019ffff [PhysicalMemoryElementName] Disabled on Subsystem [MemoryElementName].

Explanation: Memory has been Disabled.

May also be shown as 806f040c2019ffff or 0x806f040c2019ffff

Severity: Info

Alert Category: System - Other

Serviceable: No

CIM Information: Prefix: PLAT and ID: 0131

SNMP Trap ID:

Automatically notify Support: No

User response: This is a UEFI detected event. The UEFI diagnostic code for this event can be found in the logged IMM message text. Please refer to the UEFI diagnostic code in the "UEFI diagnostic code" section of the Information Center for the appropriate user response.

Related Links:

- "Finding the UEFI diagnostic code" on page 648

806f040c-201affff [PhysicalMemoryElementName] Disabled on Subsystem [MemoryElementName].

Explanation: Memory has been Disabled.

May also be shown as 806f040c201affff or 0x806f040c201affff

Severity: Info

Alert Category: System - Other

Serviceable: No

806f040c-201bffff • 806f040c-201dffff

CIM Information: Prefix: PLAT and ID: 0131

SNMP Trap ID:

Automatically notify Support: No

User response: This is a UEFI detected event. The UEFI diagnostic code for this event can be found in the logged IMM message text. Please refer to the UEFI diagnostic code in the "UEFI diagnostic code" section of the Information Center for the appropriate user response.

Related Links:

- "Finding the UEFI diagnostic code" on page 648

806f040c-201bffff [PhysicalMemoryElementName] Disabled on Subsystem [MemoryElementName].

Explanation: Memory has been Disabled.

May also be shown as 806f040c201bffff or 0x806f040c201bffff

Severity: Info

Alert Category: System - Other

Serviceable: No

CIM Information: Prefix: PLAT and ID: 0131

SNMP Trap ID:

Automatically notify Support: No

User response: This is a UEFI detected event. The UEFI diagnostic code for this event can be found in the logged IMM message text. Please refer to the UEFI diagnostic code in the "UEFI diagnostic code" section of the Information Center for the appropriate user response.

Related Links:

- "Finding the UEFI diagnostic code" on page 648

806f040c-201cffff [PhysicalMemoryElementName] Disabled on Subsystem [MemoryElementName].

Explanation: Memory has been Disabled.

May also be shown as 806f040c201cffff or 0x806f040c201cffff

Severity: Info

Alert Category: System - Other

Serviceable: No

CIM Information: Prefix: PLAT and ID: 0131

SNMP Trap ID:

Automatically notify Support: No

User response: This is a UEFI detected event. The UEFI diagnostic code for this event can be found in the logged IMM message text. Please refer to the UEFI diagnostic code in the "UEFI diagnostic code" section of the Information Center for the appropriate user response.

Related Links:

- "Finding the UEFI diagnostic code" on page 648

806f040c-201dffff [PhysicalMemoryElementName] Disabled on Subsystem [MemoryElementName].

Explanation: Memory has been Disabled.

May also be shown as 806f040c201dffff or 0x806f040c201dffff

Severity: Info

Alert Category: System - Other

Serviceable: No

CIM Information: Prefix: PLAT and ID: 0131

SNMP Trap ID:

Automatically notify Support: No

User response: This is a UEFI detected event. The UEFI diagnostic code for this event can be found in the logged IMM message text. Please refer to the UEFI diagnostic code in the "UEFI diagnostic code" section of the Information Center for the appropriate user response.

Related Links:

- "Finding the UEFI diagnostic code" on page 648

806f040c-201effff [PhysicalMemoryElementName] Disabled on Subsystem [MemoryElementName].

Explanation: Memory has been Disabled.

May also be shown as 806f040c201effff or 0x806f040c201effff

Severity: Info

Alert Category: System - Other

Serviceable: No

CIM Information: Prefix: PLAT and ID: 0131

SNMP Trap ID:

Automatically notify Support: No

User response: This is a UEFI detected event. The UEFI diagnostic code for this event can be found in the logged IMM message text. Please refer to the UEFI diagnostic code in the "UEFI diagnostic code" section of the Information Center for the appropriate user response.

Related Links:

- "Finding the UEFI diagnostic code" on page 648

806f040c-201ffff [PhysicalMemoryElementName] Disabled on Subsystem [MemoryElementName].

Explanation: Memory has been Disabled.

May also be shown as 806f040c201ffff or 0x806f040c201ffff

Severity: Info

Alert Category: System - Other

Serviceable: No

CIM Information: Prefix: PLAT and ID: 0131

SNMP Trap ID:

Automatically notify Support: No

User response: This is a UEFI detected event. The UEFI diagnostic code for this event can be found in the logged IMM message text. Please refer to the UEFI diagnostic code in the "UEFI diagnostic code" section of the Information Center for the appropriate user response.

Related Links:

- "Finding the UEFI diagnostic code" on page 648

806f040c-2020ffff [PhysicalMemoryElementName] Disabled on Subsystem [MemoryElementName].

Explanation: Memory has been Disabled.

May also be shown as 806f040c2020ffff or 0x806f040c2020ffff

Severity: Info

Alert Category: System - Other

Serviceable: No

CIM Information: Prefix: PLAT and ID: 0131

SNMP Trap ID:

Automatically notify Support: No

User response: This is a UEFI detected event. The UEFI diagnostic code for this event can be found in the logged IMM message text. Please refer to the UEFI diagnostic code in the "UEFI diagnostic code" section of the Information Center for the appropriate user response.

Related Links:

- "Finding the UEFI diagnostic code" on page 648
-

806f040c-2021ffff [PhysicalMemoryElementName] Disabled on Subsystem [MemoryElementName].

Explanation: Memory has been Disabled.

May also be shown as 806f040c2021ffff or 0x806f040c2021ffff

Severity: Info

Alert Category: System - Other

Serviceable: No

CIM Information: Prefix: PLAT and ID: 0131

SNMP Trap ID:

Automatically notify Support: No

User response: This is a UEFI detected event. The UEFI diagnostic code for this event can be found in the logged IMM message text. Please refer to the UEFI diagnostic code in the "UEFI diagnostic code" section of the Information Center for the appropriate user response.

Related Links:

- "Finding the UEFI diagnostic code" on page 648
-

806f040c-2022ffff [PhysicalMemoryElementName] Disabled on Subsystem [MemoryElementName].

Explanation: Memory has been Disabled.

May also be shown as 806f040c2022ffff or 0x806f040c2022ffff

Severity: Info

Alert Category: System - Other

Serviceable: No

CIM Information: Prefix: PLAT and ID: 0131

SNMP Trap ID:

Automatically notify Support: No

User response: This is a UEFI detected event. The UEFI diagnostic code for this event can be found in the logged IMM message text. Please refer to the UEFI diagnostic code in the "UEFI diagnostic code" section of the Information Center for the appropriate user response.

Related Links:

- “Finding the UEFI diagnostic code” on page 648

806f040c-2023ffff [PhysicalMemoryElementName] Disabled on Subsystem [MemoryElementName].

Explanation: Memory has been Disabled.

May also be shown as 806f040c2023ffff or 0x806f040c2023ffff

Severity: Info

Alert Category: System - Other

Serviceable: No

CIM Information: Prefix: PLAT and ID: 0131

SNMP Trap ID:

Automatically notify Support: No

User response: This is a UEFI detected event. The UEFI diagnostic code for this event can be found in the logged IMM message text. Please refer to the UEFI diagnostic code in the "UEFI diagnostic code" section of the Information Center for the appropriate user response.

Related Links:

- “Finding the UEFI diagnostic code” on page 648

806f040c-2024ffff [PhysicalMemoryElementName] Disabled on Subsystem [MemoryElementName].

Explanation: Memory has been Disabled.

May also be shown as 806f040c2024ffff or 0x806f040c2024ffff

Severity: Info

Alert Category: System - Other

Serviceable: No

CIM Information: Prefix: PLAT and ID: 0131

SNMP Trap ID:

Automatically notify Support: No

User response: This is a UEFI detected event. The UEFI diagnostic code for this event can be found in the logged IMM message text. Please refer to the UEFI diagnostic code in the "UEFI diagnostic code" section of the Information Center for the appropriate user response.

Related Links:

- “Finding the UEFI diagnostic code” on page 648

806f040c-2025ffff [PhysicalMemoryElementName] Disabled on Subsystem [MemoryElementName].

Explanation: Memory has been Disabled.

May also be shown as 806f040c2025ffff or 0x806f040c2025ffff

Severity: Info

Alert Category: System - Other

Serviceable: No

CIM Information: Prefix: PLAT and ID: 0131

SNMP Trap ID:

Automatically notify Support: No

User response: This is a UEFI detected event. The UEFI diagnostic code for this event can be found in the logged

806f040c-2026ffff • 806f040c-2028ffff

IMM message text. Please refer to the UEFI diagnostic code in the "UEFI diagnostic code" section of the Information Center for the appropriate user response.

Related Links:

- "Finding the UEFI diagnostic code" on page 648

806f040c-2026ffff [PhysicalMemoryElementName] Disabled on Subsystem [MemoryElementName].

Explanation: Memory has been Disabled.

May also be shown as 806f040c2026ffff or 0x806f040c2026ffff

Severity: Info

Alert Category: System - Other

Serviceable: No

CIM Information: Prefix: PLAT and ID: 0131

SNMP Trap ID:

Automatically notify Support: No

User response: This is a UEFI detected event. The UEFI diagnostic code for this event can be found in the logged IMM message text. Please refer to the UEFI diagnostic code in the "UEFI diagnostic code" section of the Information Center for the appropriate user response.

Related Links:

- "Finding the UEFI diagnostic code" on page 648

806f040c-2027ffff [PhysicalMemoryElementName] Disabled on Subsystem [MemoryElementName].

Explanation: Memory has been Disabled.

May also be shown as 806f040c2027ffff or 0x806f040c2027ffff

Severity: Info

Alert Category: System - Other

Serviceable: No

CIM Information: Prefix: PLAT and ID: 0131

SNMP Trap ID:

Automatically notify Support: No

User response: This is a UEFI detected event. The UEFI diagnostic code for this event can be found in the logged IMM message text. Please refer to the UEFI diagnostic code in the "UEFI diagnostic code" section of the Information Center for the appropriate user response.

Related Links:

- "Finding the UEFI diagnostic code" on page 648

806f040c-2028ffff [PhysicalMemoryElementName] Disabled on Subsystem [MemoryElementName].

Explanation: Memory has been Disabled.

May also be shown as 806f040c2028ffff or 0x806f040c2028ffff

Severity: Info

Alert Category: System - Other

Serviceable: No

CIM Information: Prefix: PLAT and ID: 0131

SNMP Trap ID:

Automatically notify Support: No

User response: This is a UEFI detected event. The UEFI diagnostic code for this event can be found in the logged IMM message text. Please refer to the UEFI diagnostic code in the "UEFI diagnostic code" section of the Information Center for the appropriate user response.

Related Links:

- "Finding the UEFI diagnostic code" on page 648

806f040c-2029ffff [PhysicalMemoryElementName] Disabled on Subsystem [MemoryElementName].

Explanation: Memory has been Disabled.

May also be shown as 806f040c2029ffff or 0x806f040c2029ffff

Severity: Info

Alert Category: System - Other

Serviceable: No

CIM Information: Prefix: PLAT and ID: 0131

SNMP Trap ID:

Automatically notify Support: No

User response: This is a UEFI detected event. The UEFI diagnostic code for this event can be found in the logged IMM message text. Please refer to the UEFI diagnostic code in the "UEFI diagnostic code" section of the Information Center for the appropriate user response.

Related Links:

- "Finding the UEFI diagnostic code" on page 648

806f040c-202affff [PhysicalMemoryElementName] Disabled on Subsystem [MemoryElementName].

Explanation: Memory has been Disabled.

May also be shown as 806f040c202affff or 0x806f040c202affff

Severity: Info

Alert Category: System - Other

Serviceable: No

CIM Information: Prefix: PLAT and ID: 0131

SNMP Trap ID:

Automatically notify Support: No

User response: This is a UEFI detected event. The UEFI diagnostic code for this event can be found in the logged IMM message text. Please refer to the UEFI diagnostic code in the "UEFI diagnostic code" section of the Information Center for the appropriate user response.

Related Links:

- "Finding the UEFI diagnostic code" on page 648

806f040c-202bffff [PhysicalMemoryElementName] Disabled on Subsystem [MemoryElementName].

Explanation: Memory has been Disabled.

May also be shown as 806f040c202bffff or 0x806f040c202bffff

Severity: Info

Alert Category: System - Other

Serviceable: No

806f040c-202cffff • 806f040c-202effff

CIM Information: Prefix: PLAT and ID: 0131

SNMP Trap ID:

Automatically notify Support: No

User response: This is a UEFI detected event. The UEFI diagnostic code for this event can be found in the logged IMM message text. Please refer to the UEFI diagnostic code in the "UEFI diagnostic code" section of the Information Center for the appropriate user response.

Related Links:

- "Finding the UEFI diagnostic code" on page 648

806f040c-202cffff [PhysicalMemoryElementName] Disabled on Subsystem [MemoryElementName].

Explanation: Memory has been Disabled.

May also be shown as 806f040c202cffff or 0x806f040c202cffff

Severity: Info

Alert Category: System - Other

Serviceable: No

CIM Information: Prefix: PLAT and ID: 0131

SNMP Trap ID:

Automatically notify Support: No

User response: This is a UEFI detected event. The UEFI diagnostic code for this event can be found in the logged IMM message text. Please refer to the UEFI diagnostic code in the "UEFI diagnostic code" section of the Information Center for the appropriate user response.

Related Links:

- "Finding the UEFI diagnostic code" on page 648

806f040c-202dffff [PhysicalMemoryElementName] Disabled on Subsystem [MemoryElementName].

Explanation: Memory has been Disabled.

May also be shown as 806f040c202dffff or 0x806f040c202dffff

Severity: Info

Alert Category: System - Other

Serviceable: No

CIM Information: Prefix: PLAT and ID: 0131

SNMP Trap ID:

Automatically notify Support: No

User response: This is a UEFI detected event. The UEFI diagnostic code for this event can be found in the logged IMM message text. Please refer to the UEFI diagnostic code in the "UEFI diagnostic code" section of the Information Center for the appropriate user response.

Related Links:

- "Finding the UEFI diagnostic code" on page 648

806f040c-202effff [PhysicalMemoryElementName] Disabled on Subsystem [MemoryElementName].

Explanation: Memory has been Disabled.

May also be shown as 806f040c202effff or 0x806f040c202effff

Severity: Info

Alert Category: System - Other

Serviceable: No

CIM Information: Prefix: PLAT and ID: 0131

SNMP Trap ID:

Automatically notify Support: No

User response: This is a UEFI detected event. The UEFI diagnostic code for this event can be found in the logged IMM message text. Please refer to the UEFI diagnostic code in the "UEFI diagnostic code" section of the Information Center for the appropriate user response.

Related Links:

- "Finding the UEFI diagnostic code" on page 648

806f040c-202ffff [PhysicalMemoryElementName] Disabled on Subsystem [MemoryElementName].

Explanation: Memory has been Disabled.

May also be shown as 806f040c202ffff or 0x806f040c202ffff

Severity: Info

Alert Category: System - Other

Serviceable: No

CIM Information: Prefix: PLAT and ID: 0131

SNMP Trap ID:

Automatically notify Support: No

User response: This is a UEFI detected event. The UEFI diagnostic code for this event can be found in the logged IMM message text. Please refer to the UEFI diagnostic code in the "UEFI diagnostic code" section of the Information Center for the appropriate user response.

Related Links:

- "Finding the UEFI diagnostic code" on page 648

806f040c-2030ffff [PhysicalMemoryElementName] Disabled on Subsystem [MemoryElementName].

Explanation: Memory has been Disabled.

May also be shown as 806f040c2030ffff or 0x806f040c2030ffff

Severity: Info

Alert Category: System - Other

Serviceable: No

CIM Information: Prefix: PLAT and ID: 0131

SNMP Trap ID:

Automatically notify Support: No

User response: This is a UEFI detected event. The UEFI diagnostic code for this event can be found in the logged IMM message text. Please refer to the UEFI diagnostic code in the "UEFI diagnostic code" section of the Information Center for the appropriate user response.

Related Links:

- "Finding the UEFI diagnostic code" on page 648

806f040c-2581ffff • 806f0507-0301ffff

806f040c-2581ffff [PhysicalMemoryElementName] Disabled on Subsystem [MemoryElementName].

Explanation: Memory has been disabled. All DIMMs. One of the DIMMs.

May also be shown as 806f040c2581ffff or 0x806f040c2581ffff

Severity: Info

Alert Category: System - Other

Serviceable: No

CIM Information: Prefix: PLAT and ID: 0131

SNMP Trap ID:

Automatically notify Support: No

User response: This is a UEFI detected event. The UEFI diagnostic code for this event can be found in the logged IMM message text. Please refer to the UEFI diagnostic code in the "UEFI diagnostic code" section of the Information Center for the appropriate user response.

Related Links:

- "Finding the UEFI diagnostic code" on page 648
-

806f0413-2582ffff A PCI PERR has occurred on system [ComputerSystemElementName].

Explanation: A PCI Parity Error (PERR) occurred on one of these sensors: All PCI Error, One of PCI Error.

May also be shown as 806f04132582ffff or 0x806f04132582ffff

Severity: Error

Alert Category: Critical - Other

Serviceable: Yes

CIM Information: Prefix: PLAT and ID: 0232

SNMP Trap ID: 50

Automatically notify Support: No

User response: This is a UEFI detected event. The UEFI diagnostic code for this event can be found in the logged IMM message text. Please refer to the UEFI diagnostic code in the "UEFI diagnostic code" section of the Information Center for the appropriate user response.

Related Links:

- "Finding the UEFI diagnostic code" on page 648
-

806f0507-0301ffff [ProcessorElementName] has a Configuration Mismatch.

Explanation: A processor configuration mismatch has occurred.

May also be shown as 806f05070301ffff or 0x806f05070301ffff

Severity: Error

Alert Category: Critical - CPU

Serviceable: Yes

CIM Information: Prefix: PLAT and ID: 0062

SNMP Trap ID: 40

Automatically notify Support: No

User response: This is a UEFI detected event. The UEFI diagnostic code for this event can be found in the logged IMM message text. Please refer to the UEFI diagnostic code in the "UEFI diagnostic code" section of the Information Center for the appropriate user response.

Related Links:

- “Finding the UEFI diagnostic code” on page 648

806f0507-0302ffff [ProcessorElementName] has a Configuration Mismatch.

Explanation: A processor configuration mismatch has occurred.

May also be shown as 806f05070302ffff or 0x806f05070302ffff

Severity: Error

Alert Category: Critical - CPU

Serviceable: Yes

CIM Information: Prefix: PLAT and ID: 0062

SNMP Trap ID: 40

Automatically notify Support: No

User response: This is a UEFI detected event. The UEFI diagnostic code for this event can be found in the logged IMM message text. Please refer to the UEFI diagnostic code in the "UEFI diagnostic code" section of the Information Center for the appropriate user response.

Related Links:

- “Finding the UEFI diagnostic code” on page 648

806f0507-2584ffff [ProcessorElementName] has a Configuration Mismatch.

Explanation: A processor configuration mismatch has occurred. All CPUs. One of CPUs.

May also be shown as 806f05072584ffff or 0x806f05072584ffff

Severity: Error

Alert Category: Critical - CPU

Serviceable: Yes

CIM Information: Prefix: PLAT and ID: 0062

SNMP Trap ID: 40

Automatically notify Support: No

User response: This is a UEFI detected event. The UEFI diagnostic code for this event can be found in the logged IMM message text. Please refer to the UEFI diagnostic code in the "UEFI diagnostic code" section of the Information Center for the appropriate user response.

Related Links:

- “Finding the UEFI diagnostic code” on page 648

806f050c-200101ff Memory Logging Limit Reached for [PhysicalMemoryElementName] on Subsystem [MemoryElementName].

Explanation: The Memory Logging Limit has been Reached.

May also be shown as 806f050c200101ff or 0x806f050c200101ff

Severity: Warning

Alert Category: Warning - Memory

Serviceable: Yes

CIM Information: Prefix: PLAT and ID: 0144

SNMP Trap ID: 43

Automatically notify Support: Yes

User response: This is a UEFI detected event. The UEFI diagnostic code for this event can be found in the logged

806f050c-2001ffff • 806f050c-2003ffff

IMM message text. Please refer to the UEFI diagnostic code in the "UEFI diagnostic code" section of the Information Center for the appropriate user response.

Related Links:

- "Finding the UEFI diagnostic code" on page 648

806f050c-2001ffff Memory Logging Limit Reached for [PhysicalMemoryElementName] on Subsystem [MemoryElementName].

Explanation: The Memory Logging Limit has been Reached.

May also be shown as 806f050c2001ffff or 0x806f050c2001ffff

Severity: Warning

Alert Category: Warning - Memory

Serviceable: Yes

CIM Information: Prefix: PLAT and ID: 0144

SNMP Trap ID: 43

Automatically notify Support: Yes

User response: This is a UEFI detected event. The UEFI diagnostic code for this event can be found in the logged IMM message text. Please refer to the UEFI diagnostic code in the "UEFI diagnostic code" section of the Information Center for the appropriate user response.

Related Links:

- "Finding the UEFI diagnostic code" on page 648

806f050c-2002ffff Memory Logging Limit Reached for [PhysicalMemoryElementName] on Subsystem [MemoryElementName].

Explanation: The Memory Logging Limit has been Reached.

May also be shown as 806f050c2002ffff or 0x806f050c2002ffff

Severity: Warning

Alert Category: Warning - Memory

Serviceable: Yes

CIM Information: Prefix: PLAT and ID: 0144

SNMP Trap ID: 43

Automatically notify Support: Yes

User response: This is a UEFI detected event. The UEFI diagnostic code for this event can be found in the logged IMM message text. Please refer to the UEFI diagnostic code in the "UEFI diagnostic code" section of the Information Center for the appropriate user response.

Related Links:

- "Finding the UEFI diagnostic code" on page 648

806f050c-2003ffff Memory Logging Limit Reached for [PhysicalMemoryElementName] on Subsystem [MemoryElementName].

Explanation: The Memory Logging Limit has been Reached.

May also be shown as 806f050c2003ffff or 0x806f050c2003ffff

Severity: Warning

Alert Category: Warning - Memory

Serviceable: Yes

CIM Information: Prefix: PLAT and ID: 0144

SNMP Trap ID: 43

Automatically notify Support: Yes

User response: This is a UEFI detected event. The UEFI diagnostic code for this event can be found in the logged IMM message text. Please refer to the UEFI diagnostic code in the "UEFI diagnostic code" section of the Information Center for the appropriate user response.

Related Links:

- "Finding the UEFI diagnostic code" on page 648

806f050c-200401ff Memory Logging Limit Reached for [PhysicalMemoryElementName] on Subsystem [MemoryElementName].

Explanation: The Memory Logging Limit has been Reached.

May also be shown as 806f050c200401ff or 0x806f050c200401ff

Severity: Warning

Alert Category: Warning - Memory

Serviceable: Yes

CIM Information: Prefix: PLAT and ID: 0144

SNMP Trap ID: 43

Automatically notify Support: Yes

User response: This is a UEFI detected event. The UEFI diagnostic code for this event can be found in the logged IMM message text. Please refer to the UEFI diagnostic code in the "UEFI diagnostic code" section of the Information Center for the appropriate user response.

Related Links:

- "Finding the UEFI diagnostic code" on page 648

806f050c-2004ffff Memory Logging Limit Reached for [PhysicalMemoryElementName] on Subsystem [MemoryElementName].

Explanation: The Memory Logging Limit has been Reached.

May also be shown as 806f050c2004ffff or 0x806f050c2004ffff

Severity: Warning

Alert Category: Warning - Memory

Serviceable: Yes

CIM Information: Prefix: PLAT and ID: 0144

SNMP Trap ID: 43

Automatically notify Support: Yes

User response: This is a UEFI detected event. The UEFI diagnostic code for this event can be found in the logged IMM message text. Please refer to the UEFI diagnostic code in the "UEFI diagnostic code" section of the Information Center for the appropriate user response.

Related Links:

- "Finding the UEFI diagnostic code" on page 648

806f050c-2005ffff Memory Logging Limit Reached for [PhysicalMemoryElementName] on Subsystem [MemoryElementName].

Explanation: The Memory Logging Limit has been Reached.

May also be shown as 806f050c2005ffff or 0x806f050c2005ffff

Severity: Warning

Alert Category: Warning - Memory

Serviceable: Yes

CIM Information: Prefix: PLAT and ID: 0144

SNMP Trap ID: 43

Automatically notify Support: Yes

User response: This is a UEFI detected event. The UEFI diagnostic code for this event can be found in the logged IMM message text. Please refer to the UEFI diagnostic code in the "UEFI diagnostic code" section of the Information Center for the appropriate user response.

Related Links:

- "Finding the UEFI diagnostic code" on page 648
-

806f050c-2006ffff Memory Logging Limit Reached for [PhysicalMemoryElementName] on Subsystem [MemoryElementName].

Explanation: The Memory Logging Limit has been Reached.

May also be shown as 806f050c2006ffff or 0x806f050c2006ffff

Severity: Warning

Alert Category: Warning - Memory

Serviceable: Yes

CIM Information: Prefix: PLAT and ID: 0144

SNMP Trap ID: 43

Automatically notify Support: Yes

User response: This is a UEFI detected event. The UEFI diagnostic code for this event can be found in the logged IMM message text. Please refer to the UEFI diagnostic code in the "UEFI diagnostic code" section of the Information Center for the appropriate user response.

Related Links:

- "Finding the UEFI diagnostic code" on page 648
-

806f050c-2007ffff Memory Logging Limit Reached for [PhysicalMemoryElementName] on Subsystem [MemoryElementName].

Explanation: The Memory Logging Limit has been Reached.

May also be shown as 806f050c2007ffff or 0x806f050c2007ffff

Severity: Warning

Alert Category: Warning - Memory

Serviceable: Yes

CIM Information: Prefix: PLAT and ID: 0144

SNMP Trap ID: 43

Automatically notify Support: Yes

User response: This is a UEFI detected event. The UEFI diagnostic code for this event can be found in the logged

IMM message text. Please refer to the UEFI diagnostic code in the "UEFI diagnostic code" section of the Information Center for the appropriate user response.

Related Links:

- "Finding the UEFI diagnostic code" on page 648

806f050c-2008ffff Memory Logging Limit Reached for [PhysicalMemoryElementName] on Subsystem [MemoryElementName].

Explanation: The Memory Logging Limit has been Reached.

May also be shown as 806f050c2008ffff or 0x806f050c2008ffff

Severity: Warning

Alert Category: Warning - Memory

Serviceable: Yes

CIM Information: Prefix: PLAT and ID: 0144

SNMP Trap ID: 43

Automatically notify Support: Yes

User response: This is a UEFI detected event. The UEFI diagnostic code for this event can be found in the logged IMM message text. Please refer to the UEFI diagnostic code in the "UEFI diagnostic code" section of the Information Center for the appropriate user response.

Related Links:

- "Finding the UEFI diagnostic code" on page 648

806f050c-2009ffff Memory Logging Limit Reached for [PhysicalMemoryElementName] on Subsystem [MemoryElementName].

Explanation: The Memory Logging Limit has been Reached.

May also be shown as 806f050c2009ffff or 0x806f050c2009ffff

Severity: Warning

Alert Category: Warning - Memory

Serviceable: Yes

CIM Information: Prefix: PLAT and ID: 0144

SNMP Trap ID: 43

Automatically notify Support: Yes

User response: This is a UEFI detected event. The UEFI diagnostic code for this event can be found in the logged IMM message text. Please refer to the UEFI diagnostic code in the "UEFI diagnostic code" section of the Information Center for the appropriate user response.

Related Links:

- "Finding the UEFI diagnostic code" on page 648

806f050c-200affff Memory Logging Limit Reached for [PhysicalMemoryElementName] on Subsystem [MemoryElementName].

Explanation: The Memory Logging Limit has been Reached.

May also be shown as 806f050c200affff or 0x806f050c200affff

Severity: Warning

Alert Category: Warning - Memory

Serviceable: Yes

806f050c-200bffff • 806f050c-200cffff

CIM Information: Prefix: PLAT and ID: 0144

SNMP Trap ID: 43

Automatically notify Support: Yes

User response: This is a UEFI detected event. The UEFI diagnostic code for this event can be found in the logged IMM message text. Please refer to the UEFI diagnostic code in the "UEFI diagnostic code" section of the Information Center for the appropriate user response.

Related Links:

- "Finding the UEFI diagnostic code" on page 648

806f050c-200bffff Memory Logging Limit Reached for [PhysicalMemoryElementName] on Subsystem [MemoryElementName].

Explanation: The Memory Logging Limit has been Reached.

May also be shown as 806f050c200bffff or 0x806f050c200bffff

Severity: Warning

Alert Category: Warning - Memory

Serviceable: Yes

CIM Information: Prefix: PLAT and ID: 0144

SNMP Trap ID: 43

Automatically notify Support: Yes

User response: This is a UEFI detected event. The UEFI diagnostic code for this event can be found in the logged IMM message text. Please refer to the UEFI diagnostic code in the "UEFI diagnostic code" section of the Information Center for the appropriate user response.

Related Links:

- "Finding the UEFI diagnostic code" on page 648

806f050c-200cffff Memory Logging Limit Reached for [PhysicalMemoryElementName] on Subsystem [MemoryElementName].

Explanation: The Memory Logging Limit has been Reached.

May also be shown as 806f050c200cffff or 0x806f050c200cffff

Severity: Warning

Alert Category: Warning - Memory

Serviceable: Yes

CIM Information: Prefix: PLAT and ID: 0144

SNMP Trap ID: 43

Automatically notify Support: Yes

User response: This is a UEFI detected event. The UEFI diagnostic code for this event can be found in the logged IMM message text. Please refer to the UEFI diagnostic code in the "UEFI diagnostic code" section of the Information Center for the appropriate user response.

Related Links:

- "Finding the UEFI diagnostic code" on page 648

806f050c-200dffff Memory Logging Limit Reached for [PhysicalMemoryElementName] on Subsystem [MemoryElementName].

Explanation: The Memory Logging Limit has been Reached.

May also be shown as 806f050c200dffff or 0x806f050c200dffff

Severity: Warning

Alert Category: Warning - Memory

Serviceable: Yes

CIM Information: Prefix: PLAT and ID: 0144

SNMP Trap ID: 43

Automatically notify Support: Yes

User response: This is a UEFI detected event. The UEFI diagnostic code for this event can be found in the logged IMM message text. Please refer to the UEFI diagnostic code in the "UEFI diagnostic code" section of the Information Center for the appropriate user response.

Related Links:

- "Finding the UEFI diagnostic code" on page 648

806f050c-200e02ff Memory Logging Limit Reached for [PhysicalMemoryElementName] on Subsystem [MemoryElementName].

Explanation: The Memory Logging Limit has been Reached.

May also be shown as 806f050c200e02ff or 0x806f050c200e02ff

Severity: Warning

Alert Category: Warning - Memory

Serviceable: Yes

CIM Information: Prefix: PLAT and ID: 0144

SNMP Trap ID: 43

Automatically notify Support: Yes

User response: This is a UEFI detected event. The UEFI diagnostic code for this event can be found in the logged IMM message text. Please refer to the UEFI diagnostic code in the "UEFI diagnostic code" section of the Information Center for the appropriate user response.

Related Links:

- "Finding the UEFI diagnostic code" on page 648

806f050c-200effff Memory Logging Limit Reached for [PhysicalMemoryElementName] on Subsystem [MemoryElementName].

Explanation: The Memory Logging Limit has been Reached.

May also be shown as 806f050c200effff or 0x806f050c200effff

Severity: Warning

Alert Category: Warning - Memory

Serviceable: Yes

CIM Information: Prefix: PLAT and ID: 0144

SNMP Trap ID: 43

Automatically notify Support: Yes

User response: This is a UEFI detected event. The UEFI diagnostic code for this event can be found in the logged

806f050c-200f02ff • 806f050c-2010ffff

IMM message text. Please refer to the UEFI diagnostic code in the "UEFI diagnostic code" section of the Information Center for the appropriate user response.

Related Links:

- "Finding the UEFI diagnostic code" on page 648

806f050c-200f02ff Memory Logging Limit Reached for [PhysicalMemoryElementName] on Subsystem [MemoryElementName].

Explanation: The Memory Logging Limit has been Reached.

May also be shown as 806f050c200f02ff or 0x806f050c200f02ff

Severity: Warning

Alert Category: Warning - Memory

Serviceable: Yes

CIM Information: Prefix: PLAT and ID: 0144

SNMP Trap ID: 43

Automatically notify Support: Yes

User response: This is a UEFI detected event. The UEFI diagnostic code for this event can be found in the logged IMM message text. Please refer to the UEFI diagnostic code in the "UEFI diagnostic code" section of the Information Center for the appropriate user response.

Related Links:

- "Finding the UEFI diagnostic code" on page 648

806f050c-200fffff Memory Logging Limit Reached for [PhysicalMemoryElementName] on Subsystem [MemoryElementName].

Explanation: The Memory Logging Limit has been Reached.

May also be shown as 806f050c200fffff or 0x806f050c200fffff

Severity: Warning

Alert Category: Warning - Memory

Serviceable: Yes

CIM Information: Prefix: PLAT and ID: 0144

SNMP Trap ID: 43

Automatically notify Support: Yes

User response: This is a UEFI detected event. The UEFI diagnostic code for this event can be found in the logged IMM message text. Please refer to the UEFI diagnostic code in the "UEFI diagnostic code" section of the Information Center for the appropriate user response.

Related Links:

- "Finding the UEFI diagnostic code" on page 648

806f050c-2010ffff Memory Logging Limit Reached for [PhysicalMemoryElementName] on Subsystem [MemoryElementName].

Explanation: The Memory Logging Limit has been Reached.

May also be shown as 806f050c2010ffff or 0x806f050c2010ffff

Severity: Warning

Alert Category: Warning - Memory

Serviceable: Yes

CIM Information: Prefix: PLAT and ID: 0144

SNMP Trap ID: 43

Automatically notify Support: Yes

User response: This is a UEFI detected event. The UEFI diagnostic code for this event can be found in the logged IMM message text. Please refer to the UEFI diagnostic code in the "UEFI diagnostic code" section of the Information Center for the appropriate user response.

Related Links:

- "Finding the UEFI diagnostic code" on page 648

806f050c-201102ff Memory Logging Limit Reached for [PhysicalMemoryElementName] on Subsystem [MemoryElementName].

Explanation: The Memory Logging Limit has been Reached.

May also be shown as 806f050c201102ff or 0x806f050c201102ff

Severity: Warning

Alert Category: Warning - Memory

Serviceable: Yes

CIM Information: Prefix: PLAT and ID: 0144

SNMP Trap ID: 43

Automatically notify Support: Yes

User response: This is a UEFI detected event. The UEFI diagnostic code for this event can be found in the logged IMM message text. Please refer to the UEFI diagnostic code in the "UEFI diagnostic code" section of the Information Center for the appropriate user response.

Related Links:

- "Finding the UEFI diagnostic code" on page 648

806f050c-2011ffff Memory Logging Limit Reached for [PhysicalMemoryElementName] on Subsystem [MemoryElementName].

Explanation: The Memory Logging Limit has been Reached.

May also be shown as 806f050c2011ffff or 0x806f050c2011ffff

Severity: Warning

Alert Category: Warning - Memory

Serviceable: Yes

CIM Information: Prefix: PLAT and ID: 0144

SNMP Trap ID: 43

Automatically notify Support: Yes

User response: This is a UEFI detected event. The UEFI diagnostic code for this event can be found in the logged IMM message text. Please refer to the UEFI diagnostic code in the "UEFI diagnostic code" section of the Information Center for the appropriate user response.

Related Links:

- "Finding the UEFI diagnostic code" on page 648

806f050c-201202ff Memory Logging Limit Reached for [PhysicalMemoryElementName] on Subsystem [MemoryElementName].

Explanation: The Memory Logging Limit has been Reached.

May also be shown as 806f050c201202ff or 0x806f050c201202ff

Severity: Warning

Alert Category: Warning - Memory

Serviceable: Yes

CIM Information: Prefix: PLAT and ID: 0144

SNMP Trap ID: 43

Automatically notify Support: Yes

User response: This is a UEFI detected event. The UEFI diagnostic code for this event can be found in the logged IMM message text. Please refer to the UEFI diagnostic code in the "UEFI diagnostic code" section of the Information Center for the appropriate user response.

Related Links:

- "Finding the UEFI diagnostic code" on page 648
-

806f050c-2012ffff Memory Logging Limit Reached for [PhysicalMemoryElementName] on Subsystem [MemoryElementName].

Explanation: The Memory Logging Limit has been Reached.

May also be shown as 806f050c2012ffff or 0x806f050c2012ffff

Severity: Warning

Alert Category: Warning - Memory

Serviceable: Yes

CIM Information: Prefix: PLAT and ID: 0144

SNMP Trap ID: 43

Automatically notify Support: Yes

User response: This is a UEFI detected event. The UEFI diagnostic code for this event can be found in the logged IMM message text. Please refer to the UEFI diagnostic code in the "UEFI diagnostic code" section of the Information Center for the appropriate user response.

Related Links:

- "Finding the UEFI diagnostic code" on page 648
-

806f050c-2013ffff Memory Logging Limit Reached for [PhysicalMemoryElementName] on Subsystem [MemoryElementName].

Explanation: The Memory Logging Limit has been Reached.

May also be shown as 806f050c2013ffff or 0x806f050c2013ffff

Severity: Warning

Alert Category: Warning - Memory

Serviceable: Yes

CIM Information: Prefix: PLAT and ID: 0144

SNMP Trap ID: 43

Automatically notify Support: Yes

User response: This is a UEFI detected event. The UEFI diagnostic code for this event can be found in the logged

IMM message text. Please refer to the UEFI diagnostic code in the "UEFI diagnostic code" section of the Information Center for the appropriate user response.

Related Links:

- "Finding the UEFI diagnostic code" on page 648

806f050c-2014ffff Memory Logging Limit Reached for [PhysicalMemoryElementName] on Subsystem [MemoryElementName].

Explanation: The Memory Logging Limit has been Reached.

May also be shown as 806f050c2014ffff or 0x806f050c2014ffff

Severity: Warning

Alert Category: Warning - Memory

Serviceable: Yes

CIM Information: Prefix: PLAT and ID: 0144

SNMP Trap ID: 43

Automatically notify Support: Yes

User response: This is a UEFI detected event. The UEFI diagnostic code for this event can be found in the logged IMM message text. Please refer to the UEFI diagnostic code in the "UEFI diagnostic code" section of the Information Center for the appropriate user response.

Related Links:

- "Finding the UEFI diagnostic code" on page 648

806f050c-201502ff Memory Logging Limit Reached for [PhysicalMemoryElementName] on Subsystem [MemoryElementName].

Explanation: The Memory Logging Limit has been Reached.

May also be shown as 806f050c201502ff or 0x806f050c201502ff

Severity: Warning

Alert Category: Warning - Memory

Serviceable: Yes

CIM Information: Prefix: PLAT and ID: 0144

SNMP Trap ID: 43

Automatically notify Support: Yes

User response: This is a UEFI detected event. The UEFI diagnostic code for this event can be found in the logged IMM message text. Please refer to the UEFI diagnostic code in the "UEFI diagnostic code" section of the Information Center for the appropriate user response.

Related Links:

- "Finding the UEFI diagnostic code" on page 648

806f050c-2015ffff Memory Logging Limit Reached for [PhysicalMemoryElementName] on Subsystem [MemoryElementName].

Explanation: The Memory Logging Limit has been Reached.

May also be shown as 806f050c2015ffff or 0x806f050c2015ffff

Severity: Warning

Alert Category: Warning - Memory

Serviceable: Yes

806f050c-2016ffff • 806f050c-2017ffff

CIM Information: Prefix: PLAT and ID: 0144

SNMP Trap ID: 43

Automatically notify Support: Yes

User response: This is a UEFI detected event. The UEFI diagnostic code for this event can be found in the logged IMM message text. Please refer to the UEFI diagnostic code in the "UEFI diagnostic code" section of the Information Center for the appropriate user response.

Related Links:

- "Finding the UEFI diagnostic code" on page 648

806f050c-2016ffff Memory Logging Limit Reached for [PhysicalMemoryElementName] on Subsystem [MemoryElementName].

Explanation: The Memory Logging Limit has been Reached.

May also be shown as 806f050c2016ffff or 0x806f050c2016ffff

Severity: Warning

Alert Category: Warning - Memory

Serviceable: Yes

CIM Information: Prefix: PLAT and ID: 0144

SNMP Trap ID: 43

Automatically notify Support: Yes

User response: This is a UEFI detected event. The UEFI diagnostic code for this event can be found in the logged IMM message text. Please refer to the UEFI diagnostic code in the "UEFI diagnostic code" section of the Information Center for the appropriate user response.

Related Links:

- "Finding the UEFI diagnostic code" on page 648

806f050c-2017ffff Memory Logging Limit Reached for [PhysicalMemoryElementName] on Subsystem [MemoryElementName].

Explanation: The Memory Logging Limit has been Reached.

May also be shown as 806f050c2017ffff or 0x806f050c2017ffff

Severity: Warning

Alert Category: Warning - Memory

Serviceable: Yes

CIM Information: Prefix: PLAT and ID: 0144

SNMP Trap ID: 43

Automatically notify Support: Yes

User response: This is a UEFI detected event. The UEFI diagnostic code for this event can be found in the logged IMM message text. Please refer to the UEFI diagnostic code in the "UEFI diagnostic code" section of the Information Center for the appropriate user response.

Related Links:

- "Finding the UEFI diagnostic code" on page 648

806f050c-2018ffff Memory Logging Limit Reached for [PhysicalMemoryElementName] on Subsystem [MemoryElementName].

Explanation: The Memory Logging Limit has been Reached.

May also be shown as 806f050c2018ffff or 0x806f050c2018ffff

Severity: Warning

Alert Category: Warning - Memory

Serviceable: Yes

CIM Information: Prefix: PLAT and ID: 0144

SNMP Trap ID: 43

Automatically notify Support: Yes

User response: This is a UEFI detected event. The UEFI diagnostic code for this event can be found in the logged IMM message text. Please refer to the UEFI diagnostic code in the "UEFI diagnostic code" section of the Information Center for the appropriate user response.

Related Links:

- "Finding the UEFI diagnostic code" on page 648

806f050c-201901ff Memory Logging Limit Reached for [PhysicalMemoryElementName] on Subsystem [MemoryElementName].

Explanation: The Memory Logging Limit has been Reached.

May also be shown as 806f050c201901ff or 0x806f050c201901ff

Severity: Warning

Alert Category: Warning - Memory

Serviceable: Yes

CIM Information: Prefix: PLAT and ID: 0144

SNMP Trap ID: 43

Automatically notify Support: Yes

User response: This is a UEFI detected event. The UEFI diagnostic code for this event can be found in the logged IMM message text. Please refer to the UEFI diagnostic code in the "UEFI diagnostic code" section of the Information Center for the appropriate user response.

Related Links:

- "Finding the UEFI diagnostic code" on page 648

806f050c-2019ffff Memory Logging Limit Reached for [PhysicalMemoryElementName] on Subsystem [MemoryElementName].

Explanation: The Memory Logging Limit has been Reached.

May also be shown as 806f050c2019ffff or 0x806f050c2019ffff

Severity: Warning

Alert Category: Warning - Memory

Serviceable: Yes

CIM Information: Prefix: PLAT and ID: 0144

SNMP Trap ID: 43

Automatically notify Support: Yes

User response: This is a UEFI detected event. The UEFI diagnostic code for this event can be found in the logged

806f050c-201a01ff • 806f050c-201bffff

IMM message text. Please refer to the UEFI diagnostic code in the "UEFI diagnostic code" section of the Information Center for the appropriate user response.

Related Links:

- "Finding the UEFI diagnostic code" on page 648

806f050c-201a01ff Memory Logging Limit Reached for [PhysicalMemoryElementName] on Subsystem [MemoryElementName].

Explanation: The Memory Logging Limit has been Reached.

May also be shown as 806f050c201a01ff or 0x806f050c201a01ff

Severity: Warning

Alert Category: Warning - Memory

Serviceable: Yes

CIM Information: Prefix: PLAT and ID: 0144

SNMP Trap ID: 43

Automatically notify Support: Yes

User response: This is a UEFI detected event. The UEFI diagnostic code for this event can be found in the logged IMM message text. Please refer to the UEFI diagnostic code in the "UEFI diagnostic code" section of the Information Center for the appropriate user response.

Related Links:

- "Finding the UEFI diagnostic code" on page 648

806f050c-201affff Memory Logging Limit Reached for [PhysicalMemoryElementName] on Subsystem [MemoryElementName].

Explanation: The Memory Logging Limit has been Reached.

May also be shown as 806f050c201affff or 0x806f050c201affff

Severity: Warning

Alert Category: Warning - Memory

Serviceable: Yes

CIM Information: Prefix: PLAT and ID: 0144

SNMP Trap ID: 43

Automatically notify Support: Yes

User response: This is a UEFI detected event. The UEFI diagnostic code for this event can be found in the logged IMM message text. Please refer to the UEFI diagnostic code in the "UEFI diagnostic code" section of the Information Center for the appropriate user response.

Related Links:

- "Finding the UEFI diagnostic code" on page 648

806f050c-201bffff Memory Logging Limit Reached for [PhysicalMemoryElementName] on Subsystem [MemoryElementName].

Explanation: The Memory Logging Limit has been Reached.

May also be shown as 806f050c201bffff or 0x806f050c201bffff

Severity: Warning

Alert Category: Warning - Memory

Serviceable: Yes

CIM Information: Prefix: PLAT and ID: 0144

SNMP Trap ID: 43

Automatically notify Support: Yes

User response: This is a UEFI detected event. The UEFI diagnostic code for this event can be found in the logged IMM message text. Please refer to the UEFI diagnostic code in the "UEFI diagnostic code" section of the Information Center for the appropriate user response.

Related Links:

- "Finding the UEFI diagnostic code" on page 648

806f050c-201c01ff Memory Logging Limit Reached for [PhysicalMemoryElementName] on Subsystem [MemoryElementName].

Explanation: The Memory Logging Limit has been Reached.

May also be shown as 806f050c201c01ff or 0x806f050c201c01ff

Severity: Warning

Alert Category: Warning - Memory

Serviceable: Yes

CIM Information: Prefix: PLAT and ID: 0144

SNMP Trap ID: 43

Automatically notify Support: Yes

User response: This is a UEFI detected event. The UEFI diagnostic code for this event can be found in the logged IMM message text. Please refer to the UEFI diagnostic code in the "UEFI diagnostic code" section of the Information Center for the appropriate user response.

Related Links:

- "Finding the UEFI diagnostic code" on page 648

806f050c-201cffff Memory Logging Limit Reached for [PhysicalMemoryElementName] on Subsystem [MemoryElementName].

Explanation: The Memory Logging Limit has been Reached.

May also be shown as 806f050c201cffff or 0x806f050c201cffff

Severity: Warning

Alert Category: Warning - Memory

Serviceable: Yes

CIM Information: Prefix: PLAT and ID: 0144

SNMP Trap ID: 43

Automatically notify Support: Yes

User response: This is a UEFI detected event. The UEFI diagnostic code for this event can be found in the logged IMM message text. Please refer to the UEFI diagnostic code in the "UEFI diagnostic code" section of the Information Center for the appropriate user response.

Related Links:

- "Finding the UEFI diagnostic code" on page 648

806f050c-201d01ff Memory Logging Limit Reached for [PhysicalMemoryElementName] on Subsystem [MemoryElementName].

Explanation: The Memory Logging Limit has been Reached.

May also be shown as 806f050c201d01ff or 0x806f050c201d01ff

Severity: Warning

Alert Category: Warning - Memory

Serviceable: Yes

CIM Information: Prefix: PLAT and ID: 0144

SNMP Trap ID: 43

Automatically notify Support: Yes

User response: This is a UEFI detected event. The UEFI diagnostic code for this event can be found in the logged IMM message text. Please refer to the UEFI diagnostic code in the "UEFI diagnostic code" section of the Information Center for the appropriate user response.

Related Links:

- "Finding the UEFI diagnostic code" on page 648
-

806f050c-201dffff Memory Logging Limit Reached for [PhysicalMemoryElementName] on Subsystem [MemoryElementName].

Explanation: The Memory Logging Limit has been Reached.

May also be shown as 806f050c201dffff or 0x806f050c201dffff

Severity: Warning

Alert Category: Warning - Memory

Serviceable: Yes

CIM Information: Prefix: PLAT and ID: 0144

SNMP Trap ID: 43

Automatically notify Support: Yes

User response: This is a UEFI detected event. The UEFI diagnostic code for this event can be found in the logged IMM message text. Please refer to the UEFI diagnostic code in the "UEFI diagnostic code" section of the Information Center for the appropriate user response.

Related Links:

- "Finding the UEFI diagnostic code" on page 648
-

806f050c-201e01ff Memory Logging Limit Reached for [PhysicalMemoryElementName] on Subsystem [MemoryElementName].

Explanation: The Memory Logging Limit has been Reached.

May also be shown as 806f050c201e01ff or 0x806f050c201e01ff

Severity: Warning

Alert Category: Warning - Memory

Serviceable: Yes

CIM Information: Prefix: PLAT and ID: 0144

SNMP Trap ID: 43

Automatically notify Support: Yes

User response: This is a UEFI detected event. The UEFI diagnostic code for this event can be found in the logged

IMM message text. Please refer to the UEFI diagnostic code in the "UEFI diagnostic code" section of the Information Center for the appropriate user response.

Related Links:

- "Finding the UEFI diagnostic code" on page 648

806f050c-201effff Memory Logging Limit Reached for [PhysicalMemoryElementName] on Subsystem [MemoryElementName].

Explanation: The Memory Logging Limit has been Reached.

May also be shown as 806f050c201effff or 0x806f050c201effff

Severity: Warning

Alert Category: Warning - Memory

Serviceable: Yes

CIM Information: Prefix: PLAT and ID: 0144

SNMP Trap ID: 43

Automatically notify Support: Yes

User response: This is a UEFI detected event. The UEFI diagnostic code for this event can be found in the logged IMM message text. Please refer to the UEFI diagnostic code in the "UEFI diagnostic code" section of the Information Center for the appropriate user response.

Related Links:

- "Finding the UEFI diagnostic code" on page 648

806f050c-201ffff Memory Logging Limit Reached for [PhysicalMemoryElementName] on Subsystem [MemoryElementName].

Explanation: The Memory Logging Limit has been Reached.

May also be shown as 806f050c201ffff or 0x806f050c201ffff

Severity: Warning

Alert Category: Warning - Memory

Serviceable: Yes

CIM Information: Prefix: PLAT and ID: 0144

SNMP Trap ID: 43

Automatically notify Support: Yes

User response: This is a UEFI detected event. The UEFI diagnostic code for this event can be found in the logged IMM message text. Please refer to the UEFI diagnostic code in the "UEFI diagnostic code" section of the Information Center for the appropriate user response.

Related Links:

- "Finding the UEFI diagnostic code" on page 648

806f050c-202001ff Memory Logging Limit Reached for [PhysicalMemoryElementName] on Subsystem [MemoryElementName].

Explanation: The Memory Logging Limit has been Reached.

May also be shown as 806f050c202001ff or 0x806f050c202001ff

Severity: Warning

Alert Category: Warning - Memory

Serviceable: Yes

806f050c-2020ffff • 806f050c-202101ff

CIM Information: Prefix: PLAT and ID: 0144

SNMP Trap ID: 43

Automatically notify Support: Yes

User response: This is a UEFI detected event. The UEFI diagnostic code for this event can be found in the logged IMM message text. Please refer to the UEFI diagnostic code in the "UEFI diagnostic code" section of the Information Center for the appropriate user response.

Related Links:

- "Finding the UEFI diagnostic code" on page 648

806f050c-2020ffff Memory Logging Limit Reached for [PhysicalMemoryElementName] on Subsystem [MemoryElementName].

Explanation: The Memory Logging Limit has been Reached.

May also be shown as 806f050c2020ffff or 0x806f050c2020ffff

Severity: Warning

Alert Category: Warning - Memory

Serviceable: Yes

CIM Information: Prefix: PLAT and ID: 0144

SNMP Trap ID: 43

Automatically notify Support: Yes

User response: This is a UEFI detected event. The UEFI diagnostic code for this event can be found in the logged IMM message text. Please refer to the UEFI diagnostic code in the "UEFI diagnostic code" section of the Information Center for the appropriate user response.

Related Links:

- "Finding the UEFI diagnostic code" on page 648

806f050c-202101ff Memory Logging Limit Reached for [PhysicalMemoryElementName] on Subsystem [MemoryElementName].

Explanation: The Memory Logging Limit has been Reached.

May also be shown as 806f050c202101ff or 0x806f050c202101ff

Severity: Warning

Alert Category: Warning - Memory

Serviceable: Yes

CIM Information: Prefix: PLAT and ID: 0144

SNMP Trap ID: 43

Automatically notify Support: Yes

User response: This is a UEFI detected event. The UEFI diagnostic code for this event can be found in the logged IMM message text. Please refer to the UEFI diagnostic code in the "UEFI diagnostic code" section of the Information Center for the appropriate user response.

Related Links:

- "Finding the UEFI diagnostic code" on page 648

806f050c-2021ffff Memory Logging Limit Reached for [PhysicalMemoryElementName] on Subsystem [MemoryElementName].

Explanation: The Memory Logging Limit has been Reached.

May also be shown as 806f050c2021ffff or 0x806f050c2021ffff

Severity: Warning

Alert Category: Warning - Memory

Serviceable: Yes

CIM Information: Prefix: PLAT and ID: 0144

SNMP Trap ID: 43

Automatically notify Support: Yes

User response: This is a UEFI detected event. The UEFI diagnostic code for this event can be found in the logged IMM message text. Please refer to the UEFI diagnostic code in the "UEFI diagnostic code" section of the Information Center for the appropriate user response.

Related Links:

- "Finding the UEFI diagnostic code" on page 648

806f050c-2022ffff Memory Logging Limit Reached for [PhysicalMemoryElementName] on Subsystem [MemoryElementName].

Explanation: The Memory Logging Limit has been Reached.

May also be shown as 806f050c2022ffff or 0x806f050c2022ffff

Severity: Warning

Alert Category: Warning - Memory

Serviceable: Yes

CIM Information: Prefix: PLAT and ID: 0144

SNMP Trap ID: 43

Automatically notify Support: Yes

User response: This is a UEFI detected event. The UEFI diagnostic code for this event can be found in the logged IMM message text. Please refer to the UEFI diagnostic code in the "UEFI diagnostic code" section of the Information Center for the appropriate user response.

Related Links:

- "Finding the UEFI diagnostic code" on page 648

806f050c-202301ff Memory Logging Limit Reached for [PhysicalMemoryElementName] on Subsystem [MemoryElementName].

Explanation: The Memory Logging Limit has been Reached.

May also be shown as 806f050c202301ff or 0x806f050c202301ff

Severity: Warning

Alert Category: Warning - Memory

Serviceable: Yes

CIM Information: Prefix: PLAT and ID: 0144

SNMP Trap ID: 43

Automatically notify Support: Yes

User response: This is a UEFI detected event. The UEFI diagnostic code for this event can be found in the logged

806f050c-2023ffff • 806f050c-202502ff

IMM message text. Please refer to the UEFI diagnostic code in the "UEFI diagnostic code" section of the Information Center for the appropriate user response.

Related Links:

- "Finding the UEFI diagnostic code" on page 648

806f050c-2023ffff Memory Logging Limit Reached for [PhysicalMemoryElementName] on Subsystem [MemoryElementName].

Explanation: The Memory Logging Limit has been Reached.

May also be shown as 806f050c2023ffff or 0x806f050c2023ffff

Severity: Warning

Alert Category: Warning - Memory

Serviceable: Yes

CIM Information: Prefix: PLAT and ID: 0144

SNMP Trap ID: 43

Automatically notify Support: Yes

User response: This is a UEFI detected event. The UEFI diagnostic code for this event can be found in the logged IMM message text. Please refer to the UEFI diagnostic code in the "UEFI diagnostic code" section of the Information Center for the appropriate user response.

Related Links:

- "Finding the UEFI diagnostic code" on page 648

806f050c-2024ffff Memory Logging Limit Reached for [PhysicalMemoryElementName] on Subsystem [MemoryElementName].

Explanation: The Memory Logging Limit has been Reached.

May also be shown as 806f050c2024ffff or 0x806f050c2024ffff

Severity: Warning

Alert Category: Warning - Memory

Serviceable: Yes

CIM Information: Prefix: PLAT and ID: 0144

SNMP Trap ID: 43

Automatically notify Support: Yes

User response: This is a UEFI detected event. The UEFI diagnostic code for this event can be found in the logged IMM message text. Please refer to the UEFI diagnostic code in the "UEFI diagnostic code" section of the Information Center for the appropriate user response.

Related Links:

- "Finding the UEFI diagnostic code" on page 648

806f050c-202502ff Memory Logging Limit Reached for [PhysicalMemoryElementName] on Subsystem [MemoryElementName].

Explanation: The Memory Logging Limit has been Reached.

May also be shown as 806f050c202502ff or 0x806f050c202502ff

Severity: Warning

Alert Category: Warning - Memory

Serviceable: Yes

CIM Information: Prefix: PLAT and ID: 0144

SNMP Trap ID: 43

Automatically notify Support: Yes

User response: This is a UEFI detected event. The UEFI diagnostic code for this event can be found in the logged IMM message text. Please refer to the UEFI diagnostic code in the "UEFI diagnostic code" section of the Information Center for the appropriate user response.

Related Links:

- "Finding the UEFI diagnostic code" on page 648

806f050c-2025ffff Memory Logging Limit Reached for [PhysicalMemoryElementName] on Subsystem [MemoryElementName].

Explanation: The Memory Logging Limit has been Reached.

May also be shown as 806f050c2025ffff or 0x806f050c2025ffff

Severity: Warning

Alert Category: Warning - Memory

Serviceable: Yes

CIM Information: Prefix: PLAT and ID: 0144

SNMP Trap ID: 43

Automatically notify Support: Yes

User response: This is a UEFI detected event. The UEFI diagnostic code for this event can be found in the logged IMM message text. Please refer to the UEFI diagnostic code in the "UEFI diagnostic code" section of the Information Center for the appropriate user response.

Related Links:

- "Finding the UEFI diagnostic code" on page 648

806f050c-202602ff Memory Logging Limit Reached for [PhysicalMemoryElementName] on Subsystem [MemoryElementName].

Explanation: The Memory Logging Limit has been Reached.

May also be shown as 806f050c202602ff or 0x806f050c202602ff

Severity: Warning

Alert Category: Warning - Memory

Serviceable: Yes

CIM Information: Prefix: PLAT and ID: 0144

SNMP Trap ID: 43

Automatically notify Support: Yes

User response: This is a UEFI detected event. The UEFI diagnostic code for this event can be found in the logged IMM message text. Please refer to the UEFI diagnostic code in the "UEFI diagnostic code" section of the Information Center for the appropriate user response.

Related Links:

- "Finding the UEFI diagnostic code" on page 648

806f050c-2026ffff Memory Logging Limit Reached for [PhysicalMemoryElementName] on Subsystem [MemoryElementName].

Explanation: The Memory Logging Limit has been Reached.

May also be shown as 806f050c2026ffff or 0x806f050c2026ffff

Severity: Warning

Alert Category: Warning - Memory

Serviceable: Yes

CIM Information: Prefix: PLAT and ID: 0144

SNMP Trap ID: 43

Automatically notify Support: Yes

User response: This is a UEFI detected event. The UEFI diagnostic code for this event can be found in the logged IMM message text. Please refer to the UEFI diagnostic code in the "UEFI diagnostic code" section of the Information Center for the appropriate user response.

Related Links:

- "Finding the UEFI diagnostic code" on page 648
-

806f050c-2027ffff Memory Logging Limit Reached for [PhysicalMemoryElementName] on Subsystem [MemoryElementName].

Explanation: The Memory Logging Limit has been Reached.

May also be shown as 806f050c2027ffff or 0x806f050c2027ffff

Severity: Warning

Alert Category: Warning - Memory

Serviceable: Yes

CIM Information: Prefix: PLAT and ID: 0144

SNMP Trap ID: 43

Automatically notify Support: Yes

User response: This is a UEFI detected event. The UEFI diagnostic code for this event can be found in the logged IMM message text. Please refer to the UEFI diagnostic code in the "UEFI diagnostic code" section of the Information Center for the appropriate user response.

Related Links:

- "Finding the UEFI diagnostic code" on page 648
-

806f050c-2028ffff Memory Logging Limit Reached for [PhysicalMemoryElementName] on Subsystem [MemoryElementName].

Explanation: The Memory Logging Limit has been Reached.

May also be shown as 806f050c2028ffff or 0x806f050c2028ffff

Severity: Warning

Alert Category: Warning - Memory

Serviceable: Yes

CIM Information: Prefix: PLAT and ID: 0144

SNMP Trap ID: 43

Automatically notify Support: Yes

User response: This is a UEFI detected event. The UEFI diagnostic code for this event can be found in the logged

IMM message text. Please refer to the UEFI diagnostic code in the "UEFI diagnostic code" section of the Information Center for the appropriate user response.

Related Links:

- "Finding the UEFI diagnostic code" on page 648

806f050c-202902ff Memory Logging Limit Reached for [PhysicalMemoryElementName] on Subsystem [MemoryElementName].

Explanation: The Memory Logging Limit has been Reached.

May also be shown as 806f050c202902ff or 0x806f050c202902ff

Severity: Warning

Alert Category: Warning - Memory

Serviceable: Yes

CIM Information: Prefix: PLAT and ID: 0144

SNMP Trap ID: 43

Automatically notify Support: Yes

User response: This is a UEFI detected event. The UEFI diagnostic code for this event can be found in the logged IMM message text. Please refer to the UEFI diagnostic code in the "UEFI diagnostic code" section of the Information Center for the appropriate user response.

Related Links:

- "Finding the UEFI diagnostic code" on page 648

806f050c-2029ffff Memory Logging Limit Reached for [PhysicalMemoryElementName] on Subsystem [MemoryElementName].

Explanation: The Memory Logging Limit has been Reached.

May also be shown as 806f050c2029ffff or 0x806f050c2029ffff

Severity: Warning

Alert Category: Warning - Memory

Serviceable: Yes

CIM Information: Prefix: PLAT and ID: 0144

SNMP Trap ID: 43

Automatically notify Support: Yes

User response: This is a UEFI detected event. The UEFI diagnostic code for this event can be found in the logged IMM message text. Please refer to the UEFI diagnostic code in the "UEFI diagnostic code" section of the Information Center for the appropriate user response.

Related Links:

- "Finding the UEFI diagnostic code" on page 648

806f050c-202affff Memory Logging Limit Reached for [PhysicalMemoryElementName] on Subsystem [MemoryElementName].

Explanation: The Memory Logging Limit has been Reached.

May also be shown as 806f050c202affff or 0x806f050c202affff

Severity: Warning

Alert Category: Warning - Memory

Serviceable: Yes

806f050c-202bffff • 806f050c-202cffff

CIM Information: Prefix: PLAT and ID: 0144

SNMP Trap ID: 43

Automatically notify Support: Yes

User response: This is a UEFI detected event. The UEFI diagnostic code for this event can be found in the logged IMM message text. Please refer to the UEFI diagnostic code in the "UEFI diagnostic code" section of the Information Center for the appropriate user response.

Related Links:

- "Finding the UEFI diagnostic code" on page 648

806f050c-202bffff Memory Logging Limit Reached for [PhysicalMemoryElementName] on Subsystem [MemoryElementName].

Explanation: The Memory Logging Limit has been Reached.

May also be shown as 806f050c202bffff or 0x806f050c202bffff

Severity: Warning

Alert Category: Warning - Memory

Serviceable: Yes

CIM Information: Prefix: PLAT and ID: 0144

SNMP Trap ID: 43

Automatically notify Support: Yes

User response: This is a UEFI detected event. The UEFI diagnostic code for this event can be found in the logged IMM message text. Please refer to the UEFI diagnostic code in the "UEFI diagnostic code" section of the Information Center for the appropriate user response.

Related Links:

- "Finding the UEFI diagnostic code" on page 648

806f050c-202cffff Memory Logging Limit Reached for [PhysicalMemoryElementName] on Subsystem [MemoryElementName].

Explanation: The Memory Logging Limit has been Reached.

May also be shown as 806f050c202cffff or 0x806f050c202cffff

Severity: Warning

Alert Category: Warning - Memory

Serviceable: Yes

CIM Information: Prefix: PLAT and ID: 0144

SNMP Trap ID: 43

Automatically notify Support: Yes

User response: This is a UEFI detected event. The UEFI diagnostic code for this event can be found in the logged IMM message text. Please refer to the UEFI diagnostic code in the "UEFI diagnostic code" section of the Information Center for the appropriate user response.

Related Links:

- "Finding the UEFI diagnostic code" on page 648

806f050c-202d02ff Memory Logging Limit Reached for [PhysicalMemoryElementName] on Subsystem [MemoryElementName].

Explanation: The Memory Logging Limit has been Reached.

May also be shown as 806f050c202d02ff or 0x806f050c202d02ff

Severity: Warning

Alert Category: Warning - Memory

Serviceable: Yes

CIM Information: Prefix: PLAT and ID: 0144

SNMP Trap ID: 43

Automatically notify Support: Yes

User response: This is a UEFI detected event. The UEFI diagnostic code for this event can be found in the logged IMM message text. Please refer to the UEFI diagnostic code in the "UEFI diagnostic code" section of the Information Center for the appropriate user response.

Related Links:

- "Finding the UEFI diagnostic code" on page 648

806f050c-202dffff Memory Logging Limit Reached for [PhysicalMemoryElementName] on Subsystem [MemoryElementName].

Explanation: The Memory Logging Limit has been Reached.

May also be shown as 806f050c202dffff or 0x806f050c202dffff

Severity: Warning

Alert Category: Warning - Memory

Serviceable: Yes

CIM Information: Prefix: PLAT and ID: 0144

SNMP Trap ID: 43

Automatically notify Support: Yes

User response: This is a UEFI detected event. The UEFI diagnostic code for this event can be found in the logged IMM message text. Please refer to the UEFI diagnostic code in the "UEFI diagnostic code" section of the Information Center for the appropriate user response.

Related Links:

- "Finding the UEFI diagnostic code" on page 648

806f050c-202effff Memory Logging Limit Reached for [PhysicalMemoryElementName] on Subsystem [MemoryElementName].

Explanation: The Memory Logging Limit has been Reached.

May also be shown as 806f050c202effff or 0x806f050c202effff

Severity: Warning

Alert Category: Warning - Memory

Serviceable: Yes

CIM Information: Prefix: PLAT and ID: 0144

SNMP Trap ID: 43

Automatically notify Support: Yes

User response: This is a UEFI detected event. The UEFI diagnostic code for this event can be found in the logged

806f050c-202ffff • 806f050c-2030ffff

IMM message text. Please refer to the UEFI diagnostic code in the "UEFI diagnostic code" section of the Information Center for the appropriate user response.

Related Links:

- "Finding the UEFI diagnostic code" on page 648

806f050c-202ffff Memory Logging Limit Reached for [PhysicalMemoryElementName] on Subsystem [MemoryElementName].

Explanation: The Memory Logging Limit has been Reached.

May also be shown as 806f050c202ffff or 0x806f050c202ffff

Severity: Warning

Alert Category: Warning - Memory

Serviceable: Yes

CIM Information: Prefix: PLAT and ID: 0144

SNMP Trap ID: 43

Automatically notify Support: Yes

User response: This is a UEFI detected event. The UEFI diagnostic code for this event can be found in the logged IMM message text. Please refer to the UEFI diagnostic code in the "UEFI diagnostic code" section of the Information Center for the appropriate user response.

Related Links:

- "Finding the UEFI diagnostic code" on page 648

806f050c-203002ff Memory Logging Limit Reached for [PhysicalMemoryElementName] on Subsystem [MemoryElementName].

Explanation: The Memory Logging Limit has been Reached.

May also be shown as 806f050c203002ff or 0x806f050c203002ff

Severity: Warning

Alert Category: Warning - Memory

Serviceable: Yes

CIM Information: Prefix: PLAT and ID: 0144

SNMP Trap ID: 43

Automatically notify Support: Yes

User response: This is a UEFI detected event. The UEFI diagnostic code for this event can be found in the logged IMM message text. Please refer to the UEFI diagnostic code in the "UEFI diagnostic code" section of the Information Center for the appropriate user response.

Related Links:

- "Finding the UEFI diagnostic code" on page 648

806f050c-2030ffff Memory Logging Limit Reached for [PhysicalMemoryElementName] on Subsystem [MemoryElementName].

Explanation: The Memory Logging Limit has been Reached.

May also be shown as 806f050c2030ffff or 0x806f050c2030ffff

Severity: Warning

Alert Category: Warning - Memory

Serviceable: Yes

CIM Information: Prefix: PLAT and ID: 0144

SNMP Trap ID: 43

Automatically notify Support: Yes

User response: This is a UEFI detected event. The UEFI diagnostic code for this event can be found in the logged IMM message text. Please refer to the UEFI diagnostic code in the "UEFI diagnostic code" section of the Information Center for the appropriate user response.

Related Links:

- "Finding the UEFI diagnostic code" on page 648

806f050c-2581ffff Memory Logging Limit Reached for [PhysicalMemoryElementName] on Subsystem [MemoryElementName].

Explanation: The memory logging limit has been reached. All DIMMs. One of the DIMMs.

May also be shown as 806f050c2581ffff or 0x806f050c2581ffff

Severity: Warning

Alert Category: Warning - Memory

Serviceable: Yes

CIM Information: Prefix: PLAT and ID: 0144

SNMP Trap ID: 43

Automatically notify Support: Yes

User response: This is a UEFI detected event. The UEFI diagnostic code for this event can be found in the logged IMM message text. Please refer to the UEFI diagnostic code in the "UEFI diagnostic code" section of the Information Center for the appropriate user response.

Related Links:

- "Finding the UEFI diagnostic code" on page 648

806f050d-0400ffff Array [ComputerSystemElementName] is in critical condition.

Explanation: The RAID array is in critical condition. Immediate action is required to avoid a system outage.

May also be shown as 806f050d0400ffff or 0x806f050d0400ffff

Severity: Error

Alert Category: Critical - Hard Disk drive

Serviceable: Yes

CIM Information: Prefix: PLAT and ID: 0174

SNMP Trap ID: 5

Automatically notify Support: No

User response: Replace the hard disk drive 0 that is indicated by a lit status LED.

806f050d-0401ffff Array [ComputerSystemElementName] is in critical condition.

Explanation: The RAID array is in critical condition. Immediate action is required to avoid a system outage.

May also be shown as 806f050d0401ffff or 0x806f050d0401ffff

Severity: Error

Alert Category: Critical - Hard Disk drive

Serviceable: Yes

CIM Information: Prefix: PLAT and ID: 0174

806f050d-0402ffff • 806f050d-0405ffff

SNMP Trap ID: 5

Automatically notify Support: No

User response: Replace the hard disk drive 1 that is indicated by a lit status LED.

806f050d-0402ffff Array [ComputerSystemElementName] is in critical condition.

Explanation: The RAID array is in critical condition. Immediate action is required to avoid a system outage.

May also be shown as 806f050d0402ffff or 0x806f050d0402ffff

Severity: Error

Alert Category: Critical - Hard Disk drive

Serviceable: Yes

CIM Information: Prefix: PLAT and ID: 0174

SNMP Trap ID: 5

Automatically notify Support: No

User response: Replace the hard disk drive 2 that is indicated by a lit status LED.

806f050d-0403ffff Array [ComputerSystemElementName] is in critical condition.

Explanation: The RAID array is in critical condition. Immediate action is required to avoid a system outage.

May also be shown as 806f050d0403ffff or 0x806f050d0403ffff

Severity: Error

Alert Category: Critical - Hard Disk drive

Serviceable: Yes

CIM Information: Prefix: PLAT and ID: 0174

SNMP Trap ID: 5

Automatically notify Support: No

User response: Replace the hard disk drive 3 that is indicated by a lit status LED.

806f050d-0404ffff Array [ComputerSystemElementName] is in critical condition.

Explanation: The RAID array is in critical condition. Immediate action is required to avoid a system outage.

May also be shown as 806f050d0404ffff or 0x806f050d0404ffff

Severity: Error

Alert Category: Critical - Hard Disk drive

Serviceable: Yes

CIM Information: Prefix: PLAT and ID: 0174

SNMP Trap ID: 5

Automatically notify Support: No

User response: Replace the hard disk drive 4 that is indicated by a lit status LED.

806f050d-0405ffff Array [ComputerSystemElementName] is in critical condition.

Explanation: The RAID array is in critical condition. Immediate action is required to avoid a system outage.

May also be shown as 806f050d0405ffff or 0x806f050d0405ffff

Severity: Error

Alert Category: Critical - Hard Disk drive

Serviceable: Yes

CIM Information: Prefix: PLAT and ID: 0174

SNMP Trap ID: 5

Automatically notify Support: No

User response: Replace the hard disk drive 5 that is indicated by a lit status LED.

806f050d-0406ffff Array [ComputerSystemElementName] is in critical condition.

Explanation: The RAID array is in critical condition. Immediate action is required to avoid a system outage.

May also be shown as 806f050d0406ffff or 0x806f050d0406ffff

Severity: Error

Alert Category: Critical - Hard Disk drive

Serviceable: Yes

CIM Information: Prefix: PLAT and ID: 0174

SNMP Trap ID: 5

Automatically notify Support: No

User response: Replace the hard disk drive 6 that is indicated by a lit status LED.

806f050d-0407ffff Array [ComputerSystemElementName] is in critical condition.

Explanation: The RAID array is in critical condition. Immediate action is required to avoid a system outage.

May also be shown as 806f050d0407ffff or 0x806f050d0407ffff

Severity: Error

Alert Category: Critical - Hard Disk drive

Serviceable: Yes

CIM Information: Prefix: PLAT and ID: 0174

SNMP Trap ID: 5

Automatically notify Support: No

User response: Replace the hard disk drive 7 that is indicated by a lit status LED.

806f0513-2582ffff A PCI SERR has occurred on system [ComputerSystemElementName].

Explanation: IMM has detected a PCI System Error (SERR) on one of these sensors: All PCI Error, One of PCI Error.

May also be shown as 806f05132582ffff or 0x806f05132582ffff

Severity: Error

Alert Category: Critical - Other

Serviceable: Yes

CIM Information: Prefix: PLAT and ID: 0234

SNMP Trap ID: 50

Automatically notify Support: No

User response: This is a UEFI detected event. The UEFI diagnostic code for this event can be found in the logged IMM message text. Please refer to the UEFI diagnostic code in the "UEFI diagnostic code" section of the Information Center for the appropriate user response.

806f052b-2101ffff • 806f0607-0302ffff

Related Links:

- “Finding the UEFI diagnostic code” on page 648

806f052b-2101ffff Invalid or Unsupported firmware or software was detected on system
[ComputerSystemElementName].

Explanation: The IMM primary firmware image has been corrupted. The IMM is running on the backup image.

May also be shown as 806f052b2101ffff or 0x806f052b2101ffff

Severity: Error

Alert Category: Critical - Other

Serviceable: Yes

CIM Information: Prefix: PLAT and ID: 0446

SNMP Trap ID: 50

Automatically notify Support: No

User response: Reflash or update the IMM firmware.

806f0607-0301ffff An SM BIOS Uncorrectable CPU complex error for [ProcessorElementName] has asserted.

Explanation: An SM BIOS Uncorrectable CPU complex error has asserted.

May also be shown as 806f06070301ffff or 0x806f06070301ffff

Severity: Error

Alert Category: Critical - CPU

Serviceable: Yes

CIM Information: Prefix: PLAT and ID: 0816

SNMP Trap ID: 40

Automatically notify Support: No

User response: This is a UEFI detected event. The UEFI diagnostic code for this event can be found in the logged IMM message text. Please refer to the UEFI diagnostic code in the "UEFI diagnostic code" section of the Information Center for the appropriate user response.

Related Links:

- “Finding the UEFI diagnostic code” on page 648

806f0607-0302ffff An SM BIOS Uncorrectable CPU complex error for [ProcessorElementName] has asserted.

Explanation: An SM BIOS Uncorrectable CPU complex error has asserted.

May also be shown as 806f06070302ffff or 0x806f06070302ffff

Severity: Error

Alert Category: Critical - CPU

Serviceable: Yes

CIM Information: Prefix: PLAT and ID: 0816

SNMP Trap ID: 40

Automatically notify Support: No

User response: This is a UEFI detected event. The UEFI diagnostic code for this event can be found in the logged IMM message text. Please refer to the UEFI diagnostic code in the "UEFI diagnostic code" section of the Information Center for the appropriate user response.

Related Links:

- “Finding the UEFI diagnostic code” on page 648

806f0607-2584ffff An SM BIOS Uncorrectable CPU complex error for [ProcessorElementName] has asserted.

Explanation: An SM BIOS Uncorrectable CPU complex error has been detected. All CPUs. One of CPUs.

May also be shown as 806f06072584ffff or 0x806f06072584ffff

Severity: Error

Alert Category: Critical - CPU

Serviceable: Yes

CIM Information: Prefix: PLAT and ID: 0816

SNMP Trap ID: 40

Automatically notify Support: No

User response: This is a UEFI detected event. The UEFI diagnostic code for this event can be found in the logged IMM message text. Please refer to the UEFI diagnostic code in the "UEFI diagnostic code" section of the Information Center for the appropriate user response.

Related Links:

- “Finding the UEFI diagnostic code” on page 648

806f060d-0400ffff Array [ComputerSystemElementName] has failed.

Explanation: The Drive 0 is part of an RAID array that is in the failed condition. To identify drives in the failed array all member drives will report this message.

May also be shown as 806f060d0400ffff or 0x806f060d0400ffff

Severity: Error

Alert Category: Critical - Hard Disk drive

Serviceable: Yes

CIM Information: Prefix: PLAT and ID: 0176

SNMP Trap ID: 5

Automatically notify Support: Yes

User response:

- Replace the hard disk drives that are indicated by a lit status LED on the drive.
- Recreate the array.
- Restore data from backup.

806f060d-0401ffff Array [ComputerSystemElementName] has failed.

Explanation: The Drive 1 is part of an RAID array that is in the failed condition. To identify drives in the failed array all member drives will report this message.

May also be shown as 806f060d0401ffff or 0x806f060d0401ffff

Severity: Error

Alert Category: Critical - Hard Disk drive

Serviceable: Yes

CIM Information: Prefix: PLAT and ID: 0176

SNMP Trap ID: 5

Automatically notify Support: Yes

User response:

806f060d-0402ffff • 806f060d-0404ffff

- Replace the hard disk drives that are indicated by a lit status LED on the drive.
- Recreate the array.
- Restore data from backup.

806f060d-0402ffff Array [ComputerSystemElementName] has failed.

Explanation: The Drive 2 is part of an RAID array that is in the failed condition. To identify drives in the failed array all member drives will report this message.

May also be shown as 806f060d0402ffff or 0x806f060d0402ffff

Severity: Error

Alert Category: Critical - Hard Disk drive

Serviceable: Yes

CIM Information: Prefix: PLAT and ID: 0176

SNMP Trap ID: 5

Automatically notify Support: Yes

User response:

- Replace the hard disk drives that are indicated by a lit status LED on the drive.
- Recreate the array.
- Restore data from backup.

806f060d-0403ffff Array [ComputerSystemElementName] has failed.

Explanation: The Drive 3 is part of an RAID array that is in the failed condition. To identify drives in the failed array all member drives will report this message.

May also be shown as 806f060d0403ffff or 0x806f060d0403ffff

Severity: Error

Alert Category: Critical - Hard Disk drive

Serviceable: Yes

CIM Information: Prefix: PLAT and ID: 0176

SNMP Trap ID: 5

Automatically notify Support: Yes

User response:

- Check IMM log for Predictive Fault (PFA) or other hard drive messages to help identify failing drive(s).
- Replace the hard disk drives that are indicated by a lit status LED on the drive.
- Recreate the array.
- Restore data from backup.

806f060d-0404ffff Array [ComputerSystemElementName] has failed.

Explanation: The Drive 4 is part of an RAID array that is in the failed condition. To identify drives in the failed array all member drives will report this message.

May also be shown as 806f060d0404ffff or 0x806f060d0404ffff

Severity: Error

Alert Category: Critical - Hard Disk drive

Serviceable: Yes

CIM Information: Prefix: PLAT and ID: 0176

SNMP Trap ID: 5

Automatically notify Support: Yes

User response:

- Replace the hard disk drives that are indicated by a lit status LED on the drive.
- Recreate the array.
- Restore data from backup.

806f060d-0405ffff Array [ComputerSystemElementName] has failed.

Explanation: The Drive 5 is part of an RAID array that is in the failed condition. To identify drives in the failed array all member drives will report this message.

May also be shown as 806f060d0405ffff or 0x806f060d0405ffff

Severity: Error

Alert Category: Critical - Hard Disk drive

Serviceable: Yes

CIM Information: Prefix: PLAT and ID: 0176

SNMP Trap ID: 5

Automatically notify Support: Yes

User response:

- Replace the hard disk drives that are indicated by a lit status LED on the drive.
- Recreate the array.
- Restore data from backup.

806f060d-0406ffff Array [ComputerSystemElementName] has failed.

Explanation: The Drive 6 is part of an RAID array that is in the failed condition. To identify drives in the failed array all member drives will report this message.

May also be shown as 806f060d0406ffff or 0x806f060d0406ffff

Severity: Error

Alert Category: Critical - Hard Disk drive

Serviceable: Yes

CIM Information: Prefix: PLAT and ID: 0176

SNMP Trap ID: 5

Automatically notify Support: Yes

User response:

- Replace the hard disk drives that are indicated by a lit status LED on the drive.
- Recreate the array.
- Restore data from backup.

806f060d-0407ffff Array [ComputerSystemElementName] has failed.

Explanation: The Drive 7 is part of an RAID array that is in the failed condition. To identify drives in the failed array all member drives will report this message.

May also be shown as 806f060d0407ffff or 0x806f060d0407ffff

Severity: Error

Alert Category: Critical - Hard Disk drive

806f070c-2001ffff • 806f070c-2002ffff

Serviceable: Yes

CIM Information: Prefix: PLAT and ID: 0176

SNMP Trap ID: 5

Automatically notify Support: Yes

User response:

- Replace the hard disk drives that are indicated by a lit status LED on the drive.
- Recreate the array.
- Restore data from backup.

806f070c-2001ffff Configuration Error for [PhysicalMemoryElementName] on Subsystem [MemoryElementName].

Explanation: A Memory DIMM configuration error has been detected.

May also be shown as 806f070c2001ffff or 0x806f070c2001ffff

Severity: Error

Alert Category: Critical - Memory

Serviceable: Yes

CIM Information: Prefix: PLAT and ID: 0126

SNMP Trap ID: 41

Automatically notify Support: No

User response: This is a UEFI detected event. The UEFI diagnostic code for this event can be found in the logged IMM message text. Please refer to the UEFI diagnostic code in the "UEFI diagnostic code" section of the Information Center for the appropriate user response.

Related Links:

- "Finding the UEFI diagnostic code" on page 648

806f070c-2002ffff Configuration Error for [PhysicalMemoryElementName] on Subsystem [MemoryElementName].

Explanation: A Memory DIMM configuration error has been detected.

May also be shown as 806f070c2002ffff or 0x806f070c2002ffff

Severity: Error

Alert Category: Critical - Memory

Serviceable: Yes

CIM Information: Prefix: PLAT and ID: 0126

SNMP Trap ID: 41

Automatically notify Support: No

User response: This is a UEFI detected event. The UEFI diagnostic code for this event can be found in the logged IMM message text. Please refer to the UEFI diagnostic code in the "UEFI diagnostic code" section of the Information Center for the appropriate user response.

Related Links:

- "Finding the UEFI diagnostic code" on page 648

806f070c-200301ff Configuration Error for [PhysicalMemoryElementName] on Subsystem [MemoryElementName].

Explanation: A Memory DIMM configuration error has been detected.

May also be shown as 806f070c200301ff or 0x806f070c200301ff

Severity: Error

Alert Category: Critical - Memory

Serviceable: Yes

CIM Information: Prefix: PLAT and ID: 0126

SNMP Trap ID: 41

Automatically notify Support: No

User response: This is a UEFI detected event. The UEFI diagnostic code for this event can be found in the logged IMM message text. Please refer to the UEFI diagnostic code in the "UEFI diagnostic code" section of the Information Center for the appropriate user response.

Related Links:

- "Finding the UEFI diagnostic code" on page 648

806f070c-2003ffff Configuration Error for [PhysicalMemoryElementName] on Subsystem [MemoryElementName].

Explanation: A Memory DIMM configuration error has been detected.

May also be shown as 806f070c2003ffff or 0x806f070c2003ffff

Severity: Error

Alert Category: Critical - Memory

Serviceable: Yes

CIM Information: Prefix: PLAT and ID: 0126

SNMP Trap ID: 41

Automatically notify Support: No

User response: This is a UEFI detected event. The UEFI diagnostic code for this event can be found in the logged IMM message text. Please refer to the UEFI diagnostic code in the "UEFI diagnostic code" section of the Information Center for the appropriate user response.

Related Links:

- "Finding the UEFI diagnostic code" on page 648

806f070c-200401ff Configuration Error for [PhysicalMemoryElementName] on Subsystem [MemoryElementName].

Explanation: A Memory DIMM configuration error has been detected.

May also be shown as 806f070c200401ff or 0x806f070c200401ff

Severity: Error

Alert Category: Critical - Memory

Serviceable: Yes

CIM Information: Prefix: PLAT and ID: 0126

SNMP Trap ID: 41

Automatically notify Support: No

User response: This is a UEFI detected event. The UEFI diagnostic code for this event can be found in the logged

806f070c-2004ffff • 806f070c-2005ffff

IMM message text. Please refer to the UEFI diagnostic code in the "UEFI diagnostic code" section of the Information Center for the appropriate user response.

Related Links:

- "Finding the UEFI diagnostic code" on page 648

806f070c-2004ffff Configuration Error for [PhysicalMemoryElementName] on Subsystem [MemoryElementName].

Explanation: A Memory DIMM configuration error has been detected.

May also be shown as 806f070c2004ffff or 0x806f070c2004ffff

Severity: Error

Alert Category: Critical - Memory

Serviceable: Yes

CIM Information: Prefix: PLAT and ID: 0126

SNMP Trap ID: 41

Automatically notify Support: No

User response: This is a UEFI detected event. The UEFI diagnostic code for this event can be found in the logged IMM message text. Please refer to the UEFI diagnostic code in the "UEFI diagnostic code" section of the Information Center for the appropriate user response.

Related Links:

- "Finding the UEFI diagnostic code" on page 648

806f070c-200501ff Configuration Error for [PhysicalMemoryElementName] on Subsystem [MemoryElementName].

Explanation: A Memory DIMM configuration error has been detected.

May also be shown as 806f070c200501ff or 0x806f070c200501ff

Severity: Error

Alert Category: Critical - Memory

Serviceable: Yes

CIM Information: Prefix: PLAT and ID: 0126

SNMP Trap ID: 41

Automatically notify Support: No

User response: This is a UEFI detected event. The UEFI diagnostic code for this event can be found in the logged IMM message text. Please refer to the UEFI diagnostic code in the "UEFI diagnostic code" section of the Information Center for the appropriate user response.

Related Links:

- "Finding the UEFI diagnostic code" on page 648

806f070c-2005ffff Configuration Error for [PhysicalMemoryElementName] on Subsystem [MemoryElementName].

Explanation: A Memory DIMM configuration error has been detected.

May also be shown as 806f070c2005ffff or 0x806f070c2005ffff

Severity: Error

Alert Category: Critical - Memory

Serviceable: Yes

CIM Information: Prefix: PLAT and ID: 0126

SNMP Trap ID: 41

Automatically notify Support: No

User response: This is a UEFI detected event. The UEFI diagnostic code for this event can be found in the logged IMM message text. Please refer to the UEFI diagnostic code in the "UEFI diagnostic code" section of the Information Center for the appropriate user response.

Related Links:

- "Finding the UEFI diagnostic code" on page 648

806f070c-200601ff Configuration Error for [PhysicalMemoryElementName] on Subsystem [MemoryElementName].

Explanation: A Memory DIMM configuration error has been detected.

May also be shown as 806f070c200601ff or 0x806f070c200601ff

Severity: Error

Alert Category: Critical - Memory

Serviceable: Yes

CIM Information: Prefix: PLAT and ID: 0126

SNMP Trap ID: 41

Automatically notify Support: No

User response: This is a UEFI detected event. The UEFI diagnostic code for this event can be found in the logged IMM message text. Please refer to the UEFI diagnostic code in the "UEFI diagnostic code" section of the Information Center for the appropriate user response.

Related Links:

- "Finding the UEFI diagnostic code" on page 648

806f070c-2006ffff Configuration Error for [PhysicalMemoryElementName] on Subsystem [MemoryElementName].

Explanation: A Memory DIMM configuration error has been detected.

May also be shown as 806f070c2006ffff or 0x806f070c2006ffff

Severity: Error

Alert Category: Critical - Memory

Serviceable: Yes

CIM Information: Prefix: PLAT and ID: 0126

SNMP Trap ID: 41

Automatically notify Support: No

User response: This is a UEFI detected event. The UEFI diagnostic code for this event can be found in the logged IMM message text. Please refer to the UEFI diagnostic code in the "UEFI diagnostic code" section of the Information Center for the appropriate user response.

Related Links:

- "Finding the UEFI diagnostic code" on page 648

806f070c-200701ff Configuration Error for [PhysicalMemoryElementName] on Subsystem [MemoryElementName].

Explanation: A Memory DIMM configuration error has been detected.

May also be shown as 806f070c200701ff or 0x806f070c200701ff

Severity: Error

Alert Category: Critical - Memory

Serviceable: Yes

CIM Information: Prefix: PLAT and ID: 0126

SNMP Trap ID: 41

Automatically notify Support: No

User response: This is a UEFI detected event. The UEFI diagnostic code for this event can be found in the logged IMM message text. Please refer to the UEFI diagnostic code in the "UEFI diagnostic code" section of the Information Center for the appropriate user response.

Related Links:

- "Finding the UEFI diagnostic code" on page 648
-

806f070c-2007ffff Configuration Error for [PhysicalMemoryElementName] on Subsystem [MemoryElementName].

Explanation: A Memory DIMM configuration error has been detected.

May also be shown as 806f070c2007ffff or 0x806f070c2007ffff

Severity: Error

Alert Category: Critical - Memory

Serviceable: Yes

CIM Information: Prefix: PLAT and ID: 0126

SNMP Trap ID: 41

Automatically notify Support: No

User response: This is a UEFI detected event. The UEFI diagnostic code for this event can be found in the logged IMM message text. Please refer to the UEFI diagnostic code in the "UEFI diagnostic code" section of the Information Center for the appropriate user response.

Related Links:

- "Finding the UEFI diagnostic code" on page 648
-

806f070c-200801ff Configuration Error for [PhysicalMemoryElementName] on Subsystem [MemoryElementName].

Explanation: A Memory DIMM configuration error has been detected.

May also be shown as 806f070c200801ff or 0x806f070c200801ff

Severity: Error

Alert Category: Critical - Memory

Serviceable: Yes

CIM Information: Prefix: PLAT and ID: 0126

SNMP Trap ID: 41

Automatically notify Support: No

User response: This is a UEFI detected event. The UEFI diagnostic code for this event can be found in the logged

IMM message text. Please refer to the UEFI diagnostic code in the "UEFI diagnostic code" section of the Information Center for the appropriate user response.

Related Links:

- "Finding the UEFI diagnostic code" on page 648

806f070c-2008ffff Configuration Error for [PhysicalMemoryElementName] on Subsystem [MemoryElementName].

Explanation: A Memory DIMM configuration error has been detected.

May also be shown as 806f070c2008ffff or 0x806f070c2008ffff

Severity: Error

Alert Category: Critical - Memory

Serviceable: Yes

CIM Information: Prefix: PLAT and ID: 0126

SNMP Trap ID: 41

Automatically notify Support: No

User response: This is a UEFI detected event. The UEFI diagnostic code for this event can be found in the logged IMM message text. Please refer to the UEFI diagnostic code in the "UEFI diagnostic code" section of the Information Center for the appropriate user response.

Related Links:

- "Finding the UEFI diagnostic code" on page 648

806f070c-200901ff Configuration Error for [PhysicalMemoryElementName] on Subsystem [MemoryElementName].

Explanation: A Memory DIMM configuration error has been detected.

May also be shown as 806f070c200901ff or 0x806f070c200901ff

Severity: Error

Alert Category: Critical - Memory

Serviceable: Yes

CIM Information: Prefix: PLAT and ID: 0126

SNMP Trap ID: 41

Automatically notify Support: No

User response: This is a UEFI detected event. The UEFI diagnostic code for this event can be found in the logged IMM message text. Please refer to the UEFI diagnostic code in the "UEFI diagnostic code" section of the Information Center for the appropriate user response.

Related Links:

- "Finding the UEFI diagnostic code" on page 648

806f070c-2009ffff Configuration Error for [PhysicalMemoryElementName] on Subsystem [MemoryElementName].

Explanation: A Memory DIMM configuration error has been detected.

May also be shown as 806f070c2009ffff or 0x806f070c2009ffff

Severity: Error

Alert Category: Critical - Memory

Serviceable: Yes

806f070c-200a01ff • 806f070c-200affff

CIM Information: Prefix: PLAT and ID: 0126

SNMP Trap ID: 41

Automatically notify Support: No

User response: This is a UEFI detected event. The UEFI diagnostic code for this event can be found in the logged IMM message text. Please refer to the UEFI diagnostic code in the "UEFI diagnostic code" section of the Information Center for the appropriate user response.

Related Links:

- "Finding the UEFI diagnostic code" on page 648

806f070c-200a01ff Configuration Error for [PhysicalMemoryElementName] on Subsystem [MemoryElementName].

Explanation: A Memory DIMM configuration error has been detected.

May also be shown as 806f070c200a01ff or 0x806f070c200a01ff

Severity: Error

Alert Category: Critical - Memory

Serviceable: Yes

CIM Information: Prefix: PLAT and ID: 0126

SNMP Trap ID: 41

Automatically notify Support: No

User response: This is a UEFI detected event. The UEFI diagnostic code for this event can be found in the logged IMM message text. Please refer to the UEFI diagnostic code in the "UEFI diagnostic code" section of the Information Center for the appropriate user response.

Related Links:

- "Finding the UEFI diagnostic code" on page 648

806f070c-200affff Configuration Error for [PhysicalMemoryElementName] on Subsystem [MemoryElementName].

Explanation: A Memory DIMM configuration error has been detected.

May also be shown as 806f070c200affff or 0x806f070c200affff

Severity: Error

Alert Category: Critical - Memory

Serviceable: Yes

CIM Information: Prefix: PLAT and ID: 0126

SNMP Trap ID: 41

Automatically notify Support: No

User response: This is a UEFI detected event. The UEFI diagnostic code for this event can be found in the logged IMM message text. Please refer to the UEFI diagnostic code in the "UEFI diagnostic code" section of the Information Center for the appropriate user response.

Related Links:

- "Finding the UEFI diagnostic code" on page 648

806f070c-200b01ff Configuration Error for [PhysicalMemoryElementName] on Subsystem [MemoryElementName].

Explanation: A Memory DIMM configuration error has been detected.

May also be shown as 806f070c200b01ff or 0x806f070c200b01ff

Severity: Error

Alert Category: Critical - Memory

Serviceable: Yes

CIM Information: Prefix: PLAT and ID: 0126

SNMP Trap ID: 41

Automatically notify Support: No

User response: This is a UEFI detected event. The UEFI diagnostic code for this event can be found in the logged IMM message text. Please refer to the UEFI diagnostic code in the "UEFI diagnostic code" section of the Information Center for the appropriate user response.

Related Links:

- "Finding the UEFI diagnostic code" on page 648

806f070c-200bffff Configuration Error for [PhysicalMemoryElementName] on Subsystem [MemoryElementName].

Explanation: A Memory DIMM configuration error has been detected.

May also be shown as 806f070c200bffff or 0x806f070c200bffff

Severity: Error

Alert Category: Critical - Memory

Serviceable: Yes

CIM Information: Prefix: PLAT and ID: 0126

SNMP Trap ID: 41

Automatically notify Support: No

User response: This is a UEFI detected event. The UEFI diagnostic code for this event can be found in the logged IMM message text. Please refer to the UEFI diagnostic code in the "UEFI diagnostic code" section of the Information Center for the appropriate user response.

Related Links:

- "Finding the UEFI diagnostic code" on page 648

806f070c-200c01ff Configuration Error for [PhysicalMemoryElementName] on Subsystem [MemoryElementName].

Explanation: A Memory DIMM configuration error has been detected.

May also be shown as 806f070c200c01ff or 0x806f070c200c01ff

Severity: Error

Alert Category: Critical - Memory

Serviceable: Yes

CIM Information: Prefix: PLAT and ID: 0126

SNMP Trap ID: 41

Automatically notify Support: No

User response: This is a UEFI detected event. The UEFI diagnostic code for this event can be found in the logged

806f070c-200cffff • 806f070c-200e02ff

IMM message text. Please refer to the UEFI diagnostic code in the "UEFI diagnostic code" section of the Information Center for the appropriate user response.

Related Links:

- "Finding the UEFI diagnostic code" on page 648

806f070c-200cffff Configuration Error for [PhysicalMemoryElementName] on Subsystem [MemoryElementName].

Explanation: A Memory DIMM configuration error has been detected.

May also be shown as 806f070c200cffff or 0x806f070c200cffff

Severity: Error

Alert Category: Critical - Memory

Serviceable: Yes

CIM Information: Prefix: PLAT and ID: 0126

SNMP Trap ID: 41

Automatically notify Support: No

User response: This is a UEFI detected event. The UEFI diagnostic code for this event can be found in the logged IMM message text. Please refer to the UEFI diagnostic code in the "UEFI diagnostic code" section of the Information Center for the appropriate user response.

Related Links:

- "Finding the UEFI diagnostic code" on page 648

806f070c-200dffff Configuration Error for [PhysicalMemoryElementName] on Subsystem [MemoryElementName].

Explanation: A Memory DIMM configuration error has been detected.

May also be shown as 806f070c200dffff or 0x806f070c200dffff

Severity: Error

Alert Category: Critical - Memory

Serviceable: Yes

CIM Information: Prefix: PLAT and ID: 0126

SNMP Trap ID: 41

Automatically notify Support: No

User response: This is a UEFI detected event. The UEFI diagnostic code for this event can be found in the logged IMM message text. Please refer to the UEFI diagnostic code in the "UEFI diagnostic code" section of the Information Center for the appropriate user response.

Related Links:

- "Finding the UEFI diagnostic code" on page 648

806f070c-200e02ff Configuration Error for [PhysicalMemoryElementName] on Subsystem [MemoryElementName].

Explanation: A Memory DIMM configuration error has been detected.

May also be shown as 806f070c200e02ff or 0x806f070c200e02ff

Severity: Error

Alert Category: Critical - Memory

Serviceable: Yes

CIM Information: Prefix: PLAT and ID: 0126

SNMP Trap ID: 41

Automatically notify Support: No

User response: This is a UEFI detected event. The UEFI diagnostic code for this event can be found in the logged IMM message text. Please refer to the UEFI diagnostic code in the "UEFI diagnostic code" section of the Information Center for the appropriate user response.

Related Links:

- "Finding the UEFI diagnostic code" on page 648

806f070c-200effff Configuration Error for [PhysicalMemoryElementName] on Subsystem [MemoryElementName].

Explanation: A Memory DIMM configuration error has been detected.

May also be shown as 806f070c200effff or 0x806f070c200effff

Severity: Error

Alert Category: Critical - Memory

Serviceable: Yes

CIM Information: Prefix: PLAT and ID: 0126

SNMP Trap ID: 41

Automatically notify Support: No

User response: This is a UEFI detected event. The UEFI diagnostic code for this event can be found in the logged IMM message text. Please refer to the UEFI diagnostic code in the "UEFI diagnostic code" section of the Information Center for the appropriate user response.

Related Links:

- "Finding the UEFI diagnostic code" on page 648

806f070c-200f02ff Configuration Error for [PhysicalMemoryElementName] on Subsystem [MemoryElementName].

Explanation: A Memory DIMM configuration error has been detected.

May also be shown as 806f070c200f02ff or 0x806f070c200f02ff

Severity: Error

Alert Category: Critical - Memory

Serviceable: Yes

CIM Information: Prefix: PLAT and ID: 0126

SNMP Trap ID: 41

Automatically notify Support: No

User response: This is a UEFI detected event. The UEFI diagnostic code for this event can be found in the logged IMM message text. Please refer to the UEFI diagnostic code in the "UEFI diagnostic code" section of the Information Center for the appropriate user response.

Related Links:

- "Finding the UEFI diagnostic code" on page 648

806f070c-200ffff Configuration Error for [PhysicalMemoryElementName] on Subsystem [MemoryElementName].

Explanation: A Memory DIMM configuration error has been detected.

May also be shown as 806f070c200ffff or 0x806f070c200ffff

Severity: Error

806f070c-201002ff • 806f070c-2010ffff

Alert Category: Critical - Memory

Serviceable: Yes

CIM Information: Prefix: PLAT and ID: 0126

SNMP Trap ID: 41

Automatically notify Support: No

User response: This is a UEFI detected event. The UEFI diagnostic code for this event can be found in the logged IMM message text. Please refer to the UEFI diagnostic code in the "UEFI diagnostic code" section of the Information Center for the appropriate user response.

Related Links:

- "Finding the UEFI diagnostic code" on page 648

806f070c-201002ff Configuration Error for [PhysicalMemoryElementName] on Subsystem [MemoryElementName].

Explanation: A Memory DIMM configuration error has been detected.

May also be shown as 806f070c201002ff or 0x806f070c201002ff

Severity: Error

Alert Category: Critical - Memory

Serviceable: Yes

CIM Information: Prefix: PLAT and ID: 0126

SNMP Trap ID: 41

Automatically notify Support: No

User response: This is a UEFI detected event. The UEFI diagnostic code for this event can be found in the logged IMM message text. Please refer to the UEFI diagnostic code in the "UEFI diagnostic code" section of the Information Center for the appropriate user response.

Related Links:

- "Finding the UEFI diagnostic code" on page 648

806f070c-2010ffff Configuration Error for [PhysicalMemoryElementName] on Subsystem [MemoryElementName].

Explanation: A Memory DIMM configuration error has been detected.

May also be shown as 806f070c2010ffff or 0x806f070c2010ffff

Severity: Error

Alert Category: Critical - Memory

Serviceable: Yes

CIM Information: Prefix: PLAT and ID: 0126

SNMP Trap ID: 41

Automatically notify Support: No

User response: This is a UEFI detected event. The UEFI diagnostic code for this event can be found in the logged IMM message text. Please refer to the UEFI diagnostic code in the "UEFI diagnostic code" section of the Information Center for the appropriate user response.

Related Links:

- "Finding the UEFI diagnostic code" on page 648

806f070c-2011ffff Configuration Error for [PhysicalMemoryElementName] on Subsystem [MemoryElementName].

Explanation: A Memory DIMM configuration error has been detected.

May also be shown as 806f070c2011ffff or 0x806f070c2011ffff

Severity: Error

Alert Category: Critical - Memory

Serviceable: Yes

CIM Information: Prefix: PLAT and ID: 0126

SNMP Trap ID: 41

Automatically notify Support: No

User response: This is a UEFI detected event. The UEFI diagnostic code for this event can be found in the logged IMM message text. Please refer to the UEFI diagnostic code in the "UEFI diagnostic code" section of the Information Center for the appropriate user response.

Related Links:

- "Finding the UEFI diagnostic code" on page 648

806f070c-2012ffff Configuration Error for [PhysicalMemoryElementName] on Subsystem [MemoryElementName].

Explanation: A Memory DIMM configuration error has been detected.

May also be shown as 806f070c2012ffff or 0x806f070c2012ffff

Severity: Error

Alert Category: Critical - Memory

Serviceable: Yes

CIM Information: Prefix: PLAT and ID: 0126

SNMP Trap ID: 41

Automatically notify Support: No

User response: This is a UEFI detected event. The UEFI diagnostic code for this event can be found in the logged IMM message text. Please refer to the UEFI diagnostic code in the "UEFI diagnostic code" section of the Information Center for the appropriate user response.

Related Links:

- "Finding the UEFI diagnostic code" on page 648

806f070c-201302ff Configuration Error for [PhysicalMemoryElementName] on Subsystem [MemoryElementName].

Explanation: A Memory DIMM configuration error has been detected.

May also be shown as 806f070c201302ff or 0x806f070c201302ff

Severity: Error

Alert Category: Critical - Memory

Serviceable: Yes

CIM Information: Prefix: PLAT and ID: 0126

SNMP Trap ID: 41

Automatically notify Support: No

User response: This is a UEFI detected event. The UEFI diagnostic code for this event can be found in the logged

806f070c-2013ffff • 806f070c-2014ffff

IMM message text. Please refer to the UEFI diagnostic code in the "UEFI diagnostic code" section of the Information Center for the appropriate user response.

Related Links:

- "Finding the UEFI diagnostic code" on page 648

806f070c-2013ffff Configuration Error for [PhysicalMemoryElementName] on Subsystem [MemoryElementName].

Explanation: A Memory DIMM configuration error has been detected.

May also be shown as 806f070c2013ffff or 0x806f070c2013ffff

Severity: Error

Alert Category: Critical - Memory

Serviceable: Yes

CIM Information: Prefix: PLAT and ID: 0126

SNMP Trap ID: 41

Automatically notify Support: No

User response: This is a UEFI detected event. The UEFI diagnostic code for this event can be found in the logged IMM message text. Please refer to the UEFI diagnostic code in the "UEFI diagnostic code" section of the Information Center for the appropriate user response.

Related Links:

- "Finding the UEFI diagnostic code" on page 648

806f070c-201402ff Configuration Error for [PhysicalMemoryElementName] on Subsystem [MemoryElementName].

Explanation: A Memory DIMM configuration error has been detected.

May also be shown as 806f070c201402ff or 0x806f070c201402ff

Severity: Error

Alert Category: Critical - Memory

Serviceable: Yes

CIM Information: Prefix: PLAT and ID: 0126

SNMP Trap ID: 41

Automatically notify Support: No

User response: This is a UEFI detected event. The UEFI diagnostic code for this event can be found in the logged IMM message text. Please refer to the UEFI diagnostic code in the "UEFI diagnostic code" section of the Information Center for the appropriate user response.

Related Links:

- "Finding the UEFI diagnostic code" on page 648

806f070c-2014ffff Configuration Error for [PhysicalMemoryElementName] on Subsystem [MemoryElementName].

Explanation: A Memory DIMM configuration error has been detected.

May also be shown as 806f070c2014ffff or 0x806f070c2014ffff

Severity: Error

Alert Category: Critical - Memory

Serviceable: Yes

CIM Information: Prefix: PLAT and ID: 0126

SNMP Trap ID: 41

Automatically notify Support: No

User response: This is a UEFI detected event. The UEFI diagnostic code for this event can be found in the logged IMM message text. Please refer to the UEFI diagnostic code in the "UEFI diagnostic code" section of the Information Center for the appropriate user response.

Related Links:

- "Finding the UEFI diagnostic code" on page 648

806f070c-201502ff Configuration Error for [PhysicalMemoryElementName] on Subsystem [MemoryElementName].

Explanation: A Memory DIMM configuration error has been detected.

May also be shown as 806f070c201502ff or 0x806f070c201502ff

Severity: Error

Alert Category: Critical - Memory

Serviceable: Yes

CIM Information: Prefix: PLAT and ID: 0126

SNMP Trap ID: 41

Automatically notify Support: No

User response: This is a UEFI detected event. The UEFI diagnostic code for this event can be found in the logged IMM message text. Please refer to the UEFI diagnostic code in the "UEFI diagnostic code" section of the Information Center for the appropriate user response.

Related Links:

- "Finding the UEFI diagnostic code" on page 648

806f070c-2015ffff Configuration Error for [PhysicalMemoryElementName] on Subsystem [MemoryElementName].

Explanation: A Memory DIMM configuration error has been detected.

May also be shown as 806f070c2015ffff or 0x806f070c2015ffff

Severity: Error

Alert Category: Critical - Memory

Serviceable: Yes

CIM Information: Prefix: PLAT and ID: 0126

SNMP Trap ID: 41

Automatically notify Support: No

User response: This is a UEFI detected event. The UEFI diagnostic code for this event can be found in the logged IMM message text. Please refer to the UEFI diagnostic code in the "UEFI diagnostic code" section of the Information Center for the appropriate user response.

Related Links:

- "Finding the UEFI diagnostic code" on page 648

806f070c-201602ff Configuration Error for [PhysicalMemoryElementName] on Subsystem [MemoryElementName].

Explanation: A Memory DIMM configuration error has been detected.

May also be shown as 806f070c201602ff or 0x806f070c201602ff

Severity: Error

Alert Category: Critical - Memory

Serviceable: Yes

CIM Information: Prefix: PLAT and ID: 0126

SNMP Trap ID: 41

Automatically notify Support: No

User response: This is a UEFI detected event. The UEFI diagnostic code for this event can be found in the logged IMM message text. Please refer to the UEFI diagnostic code in the "UEFI diagnostic code" section of the Information Center for the appropriate user response.

Related Links:

- "Finding the UEFI diagnostic code" on page 648
-

806f070c-2016ffff Configuration Error for [PhysicalMemoryElementName] on Subsystem [MemoryElementName].

Explanation: A Memory DIMM configuration error has been detected.

May also be shown as 806f070c2016ffff or 0x806f070c2016ffff

Severity: Error

Alert Category: Critical - Memory

Serviceable: Yes

CIM Information: Prefix: PLAT and ID: 0126

SNMP Trap ID: 41

Automatically notify Support: No

User response: This is a UEFI detected event. The UEFI diagnostic code for this event can be found in the logged IMM message text. Please refer to the UEFI diagnostic code in the "UEFI diagnostic code" section of the Information Center for the appropriate user response.

Related Links:

- "Finding the UEFI diagnostic code" on page 648
-

806f070c-201702ff Configuration Error for [PhysicalMemoryElementName] on Subsystem [MemoryElementName].

Explanation: A Memory DIMM configuration error has been detected.

May also be shown as 806f070c201702ff or 0x806f070c201702ff

Severity: Error

Alert Category: Critical - Memory

Serviceable: Yes

CIM Information: Prefix: PLAT and ID: 0126

SNMP Trap ID: 41

Automatically notify Support: No

User response: This is a UEFI detected event. The UEFI diagnostic code for this event can be found in the logged

IMM message text. Please refer to the UEFI diagnostic code in the "UEFI diagnostic code" section of the Information Center for the appropriate user response.

Related Links:

- "Finding the UEFI diagnostic code" on page 648

806f070c-2017ffff Configuration Error for [PhysicalMemoryElementName] on Subsystem [MemoryElementName].

Explanation: A Memory DIMM configuration error has been detected.

May also be shown as 806f070c2017ffff or 0x806f070c2017ffff

Severity: Error

Alert Category: Critical - Memory

Serviceable: Yes

CIM Information: Prefix: PLAT and ID: 0126

SNMP Trap ID: 41

Automatically notify Support: No

User response: This is a UEFI detected event. The UEFI diagnostic code for this event can be found in the logged IMM message text. Please refer to the UEFI diagnostic code in the "UEFI diagnostic code" section of the Information Center for the appropriate user response.

Related Links:

- "Finding the UEFI diagnostic code" on page 648

806f070c-201802ff Configuration Error for [PhysicalMemoryElementName] on Subsystem [MemoryElementName].

Explanation: A Memory DIMM configuration error has been detected.

May also be shown as 806f070c201802ff or 0x806f070c201802ff

Severity: Error

Alert Category: Critical - Memory

Serviceable: Yes

CIM Information: Prefix: PLAT and ID: 0126

SNMP Trap ID: 41

Automatically notify Support: No

User response: This is a UEFI detected event. The UEFI diagnostic code for this event can be found in the logged IMM message text. Please refer to the UEFI diagnostic code in the "UEFI diagnostic code" section of the Information Center for the appropriate user response.

Related Links:

- "Finding the UEFI diagnostic code" on page 648

806f070c-2018ffff Configuration Error for [PhysicalMemoryElementName] on Subsystem [MemoryElementName].

Explanation: A Memory DIMM configuration error has been detected.

May also be shown as 806f070c2018ffff or 0x806f070c2018ffff

Severity: Error

Alert Category: Critical - Memory

Serviceable: Yes

806f070c-201901ff • 806f070c-2019ffff

CIM Information: Prefix: PLAT and ID: 0126

SNMP Trap ID: 41

Automatically notify Support: No

User response: This is a UEFI detected event. The UEFI diagnostic code for this event can be found in the logged IMM message text. Please refer to the UEFI diagnostic code in the "UEFI diagnostic code" section of the Information Center for the appropriate user response.

Related Links:

- "Finding the UEFI diagnostic code" on page 648

806f070c-201901ff Configuration Error for [PhysicalMemoryElementName] on Subsystem [MemoryElementName].

Explanation: A Memory DIMM configuration error has been detected.

May also be shown as 806f070c201901ff or 0x806f070c201901ff

Severity: Error

Alert Category: Critical - Memory

Serviceable: Yes

CIM Information: Prefix: PLAT and ID: 0126

SNMP Trap ID: 41

Automatically notify Support: No

User response: This is a UEFI detected event. The UEFI diagnostic code for this event can be found in the logged IMM message text. Please refer to the UEFI diagnostic code in the "UEFI diagnostic code" section of the Information Center for the appropriate user response.

Related Links:

- "Finding the UEFI diagnostic code" on page 648

806f070c-2019ffff Configuration Error for [PhysicalMemoryElementName] on Subsystem [MemoryElementName].

Explanation: A Memory DIMM configuration error has been detected.

May also be shown as 806f070c2019ffff or 0x806f070c2019ffff

Severity: Error

Alert Category: Critical - Memory

Serviceable: Yes

CIM Information: Prefix: PLAT and ID: 0126

SNMP Trap ID: 41

Automatically notify Support: No

User response: This is a UEFI detected event. The UEFI diagnostic code for this event can be found in the logged IMM message text. Please refer to the UEFI diagnostic code in the "UEFI diagnostic code" section of the Information Center for the appropriate user response.

Related Links:

- "Finding the UEFI diagnostic code" on page 648

806f070c-201affff Configuration Error for [PhysicalMemoryElementName] on Subsystem [MemoryElementName].

Explanation: A Memory DIMM configuration error has been detected.

May also be shown as 806f070c201affff or 0x806f070c201affff

Severity: Error

Alert Category: Critical - Memory

Serviceable: Yes

CIM Information: Prefix: PLAT and ID: 0126

SNMP Trap ID: 41

Automatically notify Support: No

User response: This is a UEFI detected event. The UEFI diagnostic code for this event can be found in the logged IMM message text. Please refer to the UEFI diagnostic code in the "UEFI diagnostic code" section of the Information Center for the appropriate user response.

Related Links:

- "Finding the UEFI diagnostic code" on page 648

806f070c-201b01ff Configuration Error for [PhysicalMemoryElementName] on Subsystem [MemoryElementName].

Explanation: A Memory DIMM configuration error has been detected.

May also be shown as 806f070c201b01ff or 0x806f070c201b01ff

Severity: Error

Alert Category: Critical - Memory

Serviceable: Yes

CIM Information: Prefix: PLAT and ID: 0126

SNMP Trap ID: 41

Automatically notify Support: No

User response: This is a UEFI detected event. The UEFI diagnostic code for this event can be found in the logged IMM message text. Please refer to the UEFI diagnostic code in the "UEFI diagnostic code" section of the Information Center for the appropriate user response.

Related Links:

- "Finding the UEFI diagnostic code" on page 648

806f070c-201bffff Configuration Error for [PhysicalMemoryElementName] on Subsystem [MemoryElementName].

Explanation: A Memory DIMM configuration error has been detected.

May also be shown as 806f070c201bffff or 0x806f070c201bffff

Severity: Error

Alert Category: Critical - Memory

Serviceable: Yes

CIM Information: Prefix: PLAT and ID: 0126

SNMP Trap ID: 41

Automatically notify Support: No

User response: This is a UEFI detected event. The UEFI diagnostic code for this event can be found in the logged

806f070c-201c01ff • 806f070c-201d01ff

IMM message text. Please refer to the UEFI diagnostic code in the "UEFI diagnostic code" section of the Information Center for the appropriate user response.

Related Links:

- "Finding the UEFI diagnostic code" on page 648

806f070c-201c01ff Configuration Error for [PhysicalMemoryElementName] on Subsystem [MemoryElementName].

Explanation: A Memory DIMM configuration error has been detected.

May also be shown as 806f070c201c01ff or 0x806f070c201c01ff

Severity: Error

Alert Category: Critical - Memory

Serviceable: Yes

CIM Information: Prefix: PLAT and ID: 0126

SNMP Trap ID: 41

Automatically notify Support: No

User response: This is a UEFI detected event. The UEFI diagnostic code for this event can be found in the logged IMM message text. Please refer to the UEFI diagnostic code in the "UEFI diagnostic code" section of the Information Center for the appropriate user response.

Related Links:

- "Finding the UEFI diagnostic code" on page 648

806f070c-201cffff Configuration Error for [PhysicalMemoryElementName] on Subsystem [MemoryElementName].

Explanation: A Memory DIMM configuration error has been detected.

May also be shown as 806f070c201cffff or 0x806f070c201cffff

Severity: Error

Alert Category: Critical - Memory

Serviceable: Yes

CIM Information: Prefix: PLAT and ID: 0126

SNMP Trap ID: 41

Automatically notify Support: No

User response: This is a UEFI detected event. The UEFI diagnostic code for this event can be found in the logged IMM message text. Please refer to the UEFI diagnostic code in the "UEFI diagnostic code" section of the Information Center for the appropriate user response.

Related Links:

- "Finding the UEFI diagnostic code" on page 648

806f070c-201d01ff Configuration Error for [PhysicalMemoryElementName] on Subsystem [MemoryElementName].

Explanation: A Memory DIMM configuration error has been detected.

May also be shown as 806f070c201d01ff or 0x806f070c201d01ff

Severity: Error

Alert Category: Critical - Memory

Serviceable: Yes

CIM Information: Prefix: PLAT and ID: 0126

SNMP Trap ID: 41

Automatically notify Support: No

User response: This is a UEFI detected event. The UEFI diagnostic code for this event can be found in the logged IMM message text. Please refer to the UEFI diagnostic code in the "UEFI diagnostic code" section of the Information Center for the appropriate user response.

Related Links:

- "Finding the UEFI diagnostic code" on page 648

806f070c-201dffff Configuration Error for [PhysicalMemoryElementName] on Subsystem [MemoryElementName].

Explanation: A Memory DIMM configuration error has been detected.

May also be shown as 806f070c201dffff or 0x806f070c201dffff

Severity: Error

Alert Category: Critical - Memory

Serviceable: Yes

CIM Information: Prefix: PLAT and ID: 0126

SNMP Trap ID: 41

Automatically notify Support: No

User response: This is a UEFI detected event. The UEFI diagnostic code for this event can be found in the logged IMM message text. Please refer to the UEFI diagnostic code in the "UEFI diagnostic code" section of the Information Center for the appropriate user response.

Related Links:

- "Finding the UEFI diagnostic code" on page 648

806f070c-201e01ff Configuration Error for [PhysicalMemoryElementName] on Subsystem [MemoryElementName].

Explanation: A Memory DIMM configuration error has been detected.

May also be shown as 806f070c201e01ff or 0x806f070c201e01ff

Severity: Error

Alert Category: Critical - Memory

Serviceable: Yes

CIM Information: Prefix: PLAT and ID: 0126

SNMP Trap ID: 41

Automatically notify Support: No

User response: This is a UEFI detected event. The UEFI diagnostic code for this event can be found in the logged IMM message text. Please refer to the UEFI diagnostic code in the "UEFI diagnostic code" section of the Information Center for the appropriate user response.

Related Links:

- "Finding the UEFI diagnostic code" on page 648

806f070c-201effff Configuration Error for [PhysicalMemoryElementName] on Subsystem [MemoryElementName].

Explanation: A Memory DIMM configuration error has been detected.

May also be shown as 806f070c201effff or 0x806f070c201effff

806f070c-201f01ff • 806f070c-201ffff

Severity: Error

Alert Category: Critical - Memory

Serviceable: Yes

CIM Information: Prefix: PLAT and ID: 0126

SNMP Trap ID: 41

Automatically notify Support: No

User response: This is a UEFI detected event. The UEFI diagnostic code for this event can be found in the logged IMM message text. Please refer to the UEFI diagnostic code in the "UEFI diagnostic code" section of the Information Center for the appropriate user response.

Related Links:

- "Finding the UEFI diagnostic code" on page 648

806f070c-201f01ff Configuration Error for [PhysicalMemoryElementName] on Subsystem [MemoryElementName].

Explanation: A Memory DIMM configuration error has been detected.

May also be shown as 806f070c201f01ff or 0x806f070c201f01ff

Severity: Error

Alert Category: Critical - Memory

Serviceable: Yes

CIM Information: Prefix: PLAT and ID: 0126

SNMP Trap ID: 41

Automatically notify Support: No

User response: This is a UEFI detected event. The UEFI diagnostic code for this event can be found in the logged IMM message text. Please refer to the UEFI diagnostic code in the "UEFI diagnostic code" section of the Information Center for the appropriate user response.

Related Links:

- "Finding the UEFI diagnostic code" on page 648

806f070c-201ffff Configuration Error for [PhysicalMemoryElementName] on Subsystem [MemoryElementName].

Explanation: A Memory DIMM configuration error has been detected.

May also be shown as 806f070c201ffff or 0x806f070c201ffff

Severity: Error

Alert Category: Critical - Memory

Serviceable: Yes

CIM Information: Prefix: PLAT and ID: 0126

SNMP Trap ID: 41

Automatically notify Support: No

User response: This is a UEFI detected event. The UEFI diagnostic code for this event can be found in the logged IMM message text. Please refer to the UEFI diagnostic code in the "UEFI diagnostic code" section of the Information Center for the appropriate user response.

Related Links:

- "Finding the UEFI diagnostic code" on page 648

806f070c-202001ff Configuration Error for [PhysicalMemoryElementName] on Subsystem [MemoryElementName].

Explanation: A Memory DIMM configuration error has been detected.

May also be shown as 806f070c202001ff or 0x806f070c202001ff

Severity: Error

Alert Category: Critical - Memory

Serviceable: Yes

CIM Information: Prefix: PLAT and ID: 0126

SNMP Trap ID: 41

Automatically notify Support: No

User response: This is a UEFI detected event. The UEFI diagnostic code for this event can be found in the logged IMM message text. Please refer to the UEFI diagnostic code in the "UEFI diagnostic code" section of the Information Center for the appropriate user response.

Related Links:

- "Finding the UEFI diagnostic code" on page 648

806f070c-2020ffff Configuration Error for [PhysicalMemoryElementName] on Subsystem [MemoryElementName].

Explanation: A Memory DIMM configuration error has been detected.

May also be shown as 806f070c2020ffff or 0x806f070c2020ffff

Severity: Error

Alert Category: Critical - Memory

Serviceable: Yes

CIM Information: Prefix: PLAT and ID: 0126

SNMP Trap ID: 41

Automatically notify Support: No

User response: This is a UEFI detected event. The UEFI diagnostic code for this event can be found in the logged IMM message text. Please refer to the UEFI diagnostic code in the "UEFI diagnostic code" section of the Information Center for the appropriate user response.

Related Links:

- "Finding the UEFI diagnostic code" on page 648

806f070c-2021ffff Configuration Error for [PhysicalMemoryElementName] on Subsystem [MemoryElementName].

Explanation: A Memory DIMM configuration error has been detected.

May also be shown as 806f070c2021ffff or 0x806f070c2021ffff

Severity: Error

Alert Category: Critical - Memory

Serviceable: Yes

CIM Information: Prefix: PLAT and ID: 0126

SNMP Trap ID: 41

Automatically notify Support: No

User response: This is a UEFI detected event. The UEFI diagnostic code for this event can be found in the logged

806f070c-202201ff • 806f070c-202301ff

IMM message text. Please refer to the UEFI diagnostic code in the "UEFI diagnostic code" section of the Information Center for the appropriate user response.

Related Links:

- "Finding the UEFI diagnostic code" on page 648

806f070c-202201ff Configuration Error for [PhysicalMemoryElementName] on Subsystem [MemoryElementName].

Explanation: A Memory DIMM configuration error has been detected.

May also be shown as 806f070c202201ff or 0x806f070c202201ff

Severity: Error

Alert Category: Critical - Memory

Serviceable: Yes

CIM Information: Prefix: PLAT and ID: 0126

SNMP Trap ID: 41

Automatically notify Support: No

User response: This is a UEFI detected event. The UEFI diagnostic code for this event can be found in the logged IMM message text. Please refer to the UEFI diagnostic code in the "UEFI diagnostic code" section of the Information Center for the appropriate user response.

Related Links:

- "Finding the UEFI diagnostic code" on page 648

806f070c-2022ffff Configuration Error for [PhysicalMemoryElementName] on Subsystem [MemoryElementName].

Explanation: A Memory DIMM configuration error has been detected.

May also be shown as 806f070c2022ffff or 0x806f070c2022ffff

Severity: Error

Alert Category: Critical - Memory

Serviceable: Yes

CIM Information: Prefix: PLAT and ID: 0126

SNMP Trap ID: 41

Automatically notify Support: No

User response: This is a UEFI detected event. The UEFI diagnostic code for this event can be found in the logged IMM message text. Please refer to the UEFI diagnostic code in the "UEFI diagnostic code" section of the Information Center for the appropriate user response.

Related Links:

- "Finding the UEFI diagnostic code" on page 648

806f070c-202301ff Configuration Error for [PhysicalMemoryElementName] on Subsystem [MemoryElementName].

Explanation: A Memory DIMM configuration error has been detected.

May also be shown as 806f070c202301ff or 0x806f070c202301ff

Severity: Error

Alert Category: Critical - Memory

Serviceable: Yes

CIM Information: Prefix: PLAT and ID: 0126

SNMP Trap ID: 41

Automatically notify Support: No

User response: This is a UEFI detected event. The UEFI diagnostic code for this event can be found in the logged IMM message text. Please refer to the UEFI diagnostic code in the "UEFI diagnostic code" section of the Information Center for the appropriate user response.

Related Links:

- "Finding the UEFI diagnostic code" on page 648

806f070c-2023ffff Configuration Error for [PhysicalMemoryElementName] on Subsystem [MemoryElementName].

Explanation: A Memory DIMM configuration error has been detected.

May also be shown as 806f070c2023ffff or 0x806f070c2023ffff

Severity: Error

Alert Category: Critical - Memory

Serviceable: Yes

CIM Information: Prefix: PLAT and ID: 0126

SNMP Trap ID: 41

Automatically notify Support: No

User response: This is a UEFI detected event. The UEFI diagnostic code for this event can be found in the logged IMM message text. Please refer to the UEFI diagnostic code in the "UEFI diagnostic code" section of the Information Center for the appropriate user response.

Related Links:

- "Finding the UEFI diagnostic code" on page 648

806f070c-2024ffff Configuration Error for [PhysicalMemoryElementName] on Subsystem [MemoryElementName].

Explanation: A Memory DIMM configuration error has been detected.

May also be shown as 806f070c2024ffff or 0x806f070c2024ffff

Severity: Error

Alert Category: Critical - Memory

Serviceable: Yes

CIM Information: Prefix: PLAT and ID: 0126

SNMP Trap ID: 41

Automatically notify Support: No

User response: This is a UEFI detected event. The UEFI diagnostic code for this event can be found in the logged IMM message text. Please refer to the UEFI diagnostic code in the "UEFI diagnostic code" section of the Information Center for the appropriate user response.

Related Links:

- "Finding the UEFI diagnostic code" on page 648

806f070c-202502ff Configuration Error for [PhysicalMemoryElementName] on Subsystem [MemoryElementName].

Explanation: A Memory DIMM configuration error has been detected.

May also be shown as 806f070c202502ff or 0x806f070c202502ff

Severity: Error

Alert Category: Critical - Memory

Serviceable: Yes

CIM Information: Prefix: PLAT and ID: 0126

SNMP Trap ID: 41

Automatically notify Support: No

User response: This is a UEFI detected event. The UEFI diagnostic code for this event can be found in the logged IMM message text. Please refer to the UEFI diagnostic code in the "UEFI diagnostic code" section of the Information Center for the appropriate user response.

Related Links:

- "Finding the UEFI diagnostic code" on page 648
-

806f070c-2025ffff Configuration Error for [PhysicalMemoryElementName] on Subsystem [MemoryElementName].

Explanation: A Memory DIMM configuration error has been detected.

May also be shown as 806f070c2025ffff or 0x806f070c2025ffff

Severity: Error

Alert Category: Critical - Memory

Serviceable: Yes

CIM Information: Prefix: PLAT and ID: 0126

SNMP Trap ID: 41

Automatically notify Support: No

User response: This is a UEFI detected event. The UEFI diagnostic code for this event can be found in the logged IMM message text. Please refer to the UEFI diagnostic code in the "UEFI diagnostic code" section of the Information Center for the appropriate user response.

Related Links:

- "Finding the UEFI diagnostic code" on page 648
-

806f070c-202602ff Configuration Error for [PhysicalMemoryElementName] on Subsystem [MemoryElementName].

Explanation: A Memory DIMM configuration error has been detected.

May also be shown as 806f070c202602ff or 0x806f070c202602ff

Severity: Error

Alert Category: Critical - Memory

Serviceable: Yes

CIM Information: Prefix: PLAT and ID: 0126

SNMP Trap ID: 41

Automatically notify Support: No

User response: This is a UEFI detected event. The UEFI diagnostic code for this event can be found in the logged

IMM message text. Please refer to the UEFI diagnostic code in the "UEFI diagnostic code" section of the Information Center for the appropriate user response.

Related Links:

- "Finding the UEFI diagnostic code" on page 648

806f070c-2026ffff Configuration Error for [PhysicalMemoryElementName] on Subsystem [MemoryElementName].

Explanation: A Memory DIMM configuration error has been detected.

May also be shown as 806f070c2026ffff or 0x806f070c2026ffff

Severity: Error

Alert Category: Critical - Memory

Serviceable: Yes

CIM Information: Prefix: PLAT and ID: 0126

SNMP Trap ID: 41

Automatically notify Support: No

User response: This is a UEFI detected event. The UEFI diagnostic code for this event can be found in the logged IMM message text. Please refer to the UEFI diagnostic code in the "UEFI diagnostic code" section of the Information Center for the appropriate user response.

Related Links:

- "Finding the UEFI diagnostic code" on page 648

806f070c-202702ff Configuration Error for [PhysicalMemoryElementName] on Subsystem [MemoryElementName].

Explanation: A Memory DIMM configuration error has been detected.

May also be shown as 806f070c202702ff or 0x806f070c202702ff

Severity: Error

Alert Category: Critical - Memory

Serviceable: Yes

CIM Information: Prefix: PLAT and ID: 0126

SNMP Trap ID: 41

Automatically notify Support: No

User response: This is a UEFI detected event. The UEFI diagnostic code for this event can be found in the logged IMM message text. Please refer to the UEFI diagnostic code in the "UEFI diagnostic code" section of the Information Center for the appropriate user response.

Related Links:

- "Finding the UEFI diagnostic code" on page 648

806f070c-2027ffff Configuration Error for [PhysicalMemoryElementName] on Subsystem [MemoryElementName].

Explanation: A Memory DIMM configuration error has been detected.

May also be shown as 806f070c2027ffff or 0x806f070c2027ffff

Severity: Error

Alert Category: Critical - Memory

Serviceable: Yes

806f070c-202802ff • 806f070c-2028ffff

CIM Information: Prefix: PLAT and ID: 0126

SNMP Trap ID: 41

Automatically notify Support: No

User response: This is a UEFI detected event. The UEFI diagnostic code for this event can be found in the logged IMM message text. Please refer to the UEFI diagnostic code in the "UEFI diagnostic code" section of the Information Center for the appropriate user response.

Related Links:

- "Finding the UEFI diagnostic code" on page 648

806f070c-202802ff Configuration Error for [PhysicalMemoryElementName] on Subsystem [MemoryElementName].

Explanation: A Memory DIMM configuration error has been detected.

May also be shown as 806f070c202802ff or 0x806f070c202802ff

Severity: Error

Alert Category: Critical - Memory

Serviceable: Yes

CIM Information: Prefix: PLAT and ID: 0126

SNMP Trap ID: 41

Automatically notify Support: No

User response: This is a UEFI detected event. The UEFI diagnostic code for this event can be found in the logged IMM message text. Please refer to the UEFI diagnostic code in the "UEFI diagnostic code" section of the Information Center for the appropriate user response.

Related Links:

- "Finding the UEFI diagnostic code" on page 648

806f070c-2028ffff Configuration Error for [PhysicalMemoryElementName] on Subsystem [MemoryElementName].

Explanation: A Memory DIMM configuration error has been detected.

May also be shown as 806f070c2028ffff or 0x806f070c2028ffff

Severity: Error

Alert Category: Critical - Memory

Serviceable: Yes

CIM Information: Prefix: PLAT and ID: 0126

SNMP Trap ID: 41

Automatically notify Support: No

User response: This is a UEFI detected event. The UEFI diagnostic code for this event can be found in the logged IMM message text. Please refer to the UEFI diagnostic code in the "UEFI diagnostic code" section of the Information Center for the appropriate user response.

Related Links:

- "Finding the UEFI diagnostic code" on page 648

806f070c-202902ff Configuration Error for [PhysicalMemoryElementName] on Subsystem [MemoryElementName].

Explanation: A Memory DIMM configuration error has been detected.

May also be shown as 806f070c202902ff or 0x806f070c202902ff

Severity: Error

Alert Category: Critical - Memory

Serviceable: Yes

CIM Information: Prefix: PLAT and ID: 0126

SNMP Trap ID: 41

Automatically notify Support: No

User response: This is a UEFI detected event. The UEFI diagnostic code for this event can be found in the logged IMM message text. Please refer to the UEFI diagnostic code in the "UEFI diagnostic code" section of the Information Center for the appropriate user response.

Related Links:

- "Finding the UEFI diagnostic code" on page 648

806f070c-2029ffff Configuration Error for [PhysicalMemoryElementName] on Subsystem [MemoryElementName].

Explanation: A Memory DIMM configuration error has been detected.

May also be shown as 806f070c2029ffff or 0x806f070c2029ffff

Severity: Error

Alert Category: Critical - Memory

Serviceable: Yes

CIM Information: Prefix: PLAT and ID: 0126

SNMP Trap ID: 41

Automatically notify Support: No

User response: This is a UEFI detected event. The UEFI diagnostic code for this event can be found in the logged IMM message text. Please refer to the UEFI diagnostic code in the "UEFI diagnostic code" section of the Information Center for the appropriate user response.

Related Links:

- "Finding the UEFI diagnostic code" on page 648

806f070c-202a02ff Configuration Error for [PhysicalMemoryElementName] on Subsystem [MemoryElementName].

Explanation: A Memory DIMM configuration error has been detected.

May also be shown as 806f070c202a02ff or 0x806f070c202a02ff

Severity: Error

Alert Category: Critical - Memory

Serviceable: Yes

CIM Information: Prefix: PLAT and ID: 0126

SNMP Trap ID: 41

Automatically notify Support: No

User response: This is a UEFI detected event. The UEFI diagnostic code for this event can be found in the logged

806f070c-202affff • 806f070c-202bffff

IMM message text. Please refer to the UEFI diagnostic code in the "UEFI diagnostic code" section of the Information Center for the appropriate user response.

Related Links:

- "Finding the UEFI diagnostic code" on page 648

806f070c-202affff Configuration Error for [PhysicalMemoryElementName] on Subsystem [MemoryElementName].

Explanation: A Memory DIMM configuration error has been detected.

May also be shown as 806f070c202affff or 0x806f070c202affff

Severity: Error

Alert Category: Critical - Memory

Serviceable: Yes

CIM Information: Prefix: PLAT and ID: 0126

SNMP Trap ID: 41

Automatically notify Support: No

User response: This is a UEFI detected event. The UEFI diagnostic code for this event can be found in the logged IMM message text. Please refer to the UEFI diagnostic code in the "UEFI diagnostic code" section of the Information Center for the appropriate user response.

Related Links:

- "Finding the UEFI diagnostic code" on page 648

806f070c-202b02ff Configuration Error for [PhysicalMemoryElementName] on Subsystem [MemoryElementName].

Explanation: A Memory DIMM configuration error has been detected.

May also be shown as 806f070c202b02ff or 0x806f070c202b02ff

Severity: Error

Alert Category: Critical - Memory

Serviceable: Yes

CIM Information: Prefix: PLAT and ID: 0126

SNMP Trap ID: 41

Automatically notify Support: No

User response: This is a UEFI detected event. The UEFI diagnostic code for this event can be found in the logged IMM message text. Please refer to the UEFI diagnostic code in the "UEFI diagnostic code" section of the Information Center for the appropriate user response.

Related Links:

- "Finding the UEFI diagnostic code" on page 648

806f070c-202bffff Configuration Error for [PhysicalMemoryElementName] on Subsystem [MemoryElementName].

Explanation: A Memory DIMM configuration error has been detected.

May also be shown as 806f070c202bffff or 0x806f070c202bffff

Severity: Error

Alert Category: Critical - Memory

Serviceable: Yes

CIM Information: Prefix: PLAT and ID: 0126

SNMP Trap ID: 41

Automatically notify Support: No

User response: This is a UEFI detected event. The UEFI diagnostic code for this event can be found in the logged IMM message text. Please refer to the UEFI diagnostic code in the "UEFI diagnostic code" section of the Information Center for the appropriate user response.

Related Links:

- "Finding the UEFI diagnostic code" on page 648

806f070c-202c02ff Configuration Error for [PhysicalMemoryElementName] on Subsystem [MemoryElementName].

Explanation: A Memory DIMM configuration error has been detected.

May also be shown as 806f070c202c02ff or 0x806f070c202c02ff

Severity: Error

Alert Category: Critical - Memory

Serviceable: Yes

CIM Information: Prefix: PLAT and ID: 0126

SNMP Trap ID: 41

Automatically notify Support: No

User response: This is a UEFI detected event. The UEFI diagnostic code for this event can be found in the logged IMM message text. Please refer to the UEFI diagnostic code in the "UEFI diagnostic code" section of the Information Center for the appropriate user response.

Related Links:

- "Finding the UEFI diagnostic code" on page 648

806f070c-202cffff Configuration Error for [PhysicalMemoryElementName] on Subsystem [MemoryElementName].

Explanation: A Memory DIMM configuration error has been detected.

May also be shown as 806f070c202cffff or 0x806f070c202cffff

Severity: Error

Alert Category: Critical - Memory

Serviceable: Yes

CIM Information: Prefix: PLAT and ID: 0126

SNMP Trap ID: 41

Automatically notify Support: No

User response: This is a UEFI detected event. The UEFI diagnostic code for this event can be found in the logged IMM message text. Please refer to the UEFI diagnostic code in the "UEFI diagnostic code" section of the Information Center for the appropriate user response.

Related Links:

- "Finding the UEFI diagnostic code" on page 648

806f070c-202d02ff Configuration Error for [PhysicalMemoryElementName] on Subsystem [MemoryElementName].

Explanation: A Memory DIMM configuration error has been detected.

May also be shown as 806f070c202d02ff or 0x806f070c202d02ff

806f070c-202dffff • 806f070c-202e02ff

Severity: Error

Alert Category: Critical - Memory

Serviceable: Yes

CIM Information: Prefix: PLAT and ID: 0126

SNMP Trap ID: 41

Automatically notify Support: No

User response: This is a UEFI detected event. The UEFI diagnostic code for this event can be found in the logged IMM message text. Please refer to the UEFI diagnostic code in the "UEFI diagnostic code" section of the Information Center for the appropriate user response.

Related Links:

- "Finding the UEFI diagnostic code" on page 648

806f070c-202dffff Configuration Error for [PhysicalMemoryElementName] on Subsystem [MemoryElementName].

Explanation: A Memory DIMM configuration error has been detected.

May also be shown as 806f070c202dffff or 0x806f070c202dffff

Severity: Error

Alert Category: Critical - Memory

Serviceable: Yes

CIM Information: Prefix: PLAT and ID: 0126

SNMP Trap ID: 41

Automatically notify Support: No

User response: This is a UEFI detected event. The UEFI diagnostic code for this event can be found in the logged IMM message text. Please refer to the UEFI diagnostic code in the "UEFI diagnostic code" section of the Information Center for the appropriate user response.

Related Links:

- "Finding the UEFI diagnostic code" on page 648

806f070c-202e02ff Configuration Error for [PhysicalMemoryElementName] on Subsystem [MemoryElementName].

Explanation: A Memory DIMM configuration error has been detected.

May also be shown as 806f070c202e02ff or 0x806f070c202e02ff

Severity: Error

Alert Category: Critical - Memory

Serviceable: Yes

CIM Information: Prefix: PLAT and ID: 0126

SNMP Trap ID: 41

Automatically notify Support: No

User response: This is a UEFI detected event. The UEFI diagnostic code for this event can be found in the logged IMM message text. Please refer to the UEFI diagnostic code in the "UEFI diagnostic code" section of the Information Center for the appropriate user response.

Related Links:

- "Finding the UEFI diagnostic code" on page 648

806f070c-202effff Configuration Error for [PhysicalMemoryElementName] on Subsystem [MemoryElementName].

Explanation: A Memory DIMM configuration error has been detected.

May also be shown as 806f070c202effff or 0x806f070c202effff

Severity: Error

Alert Category: Critical - Memory

Serviceable: Yes

CIM Information: Prefix: PLAT and ID: 0126

SNMP Trap ID: 41

Automatically notify Support: No

User response: This is a UEFI detected event. The UEFI diagnostic code for this event can be found in the logged IMM message text. Please refer to the UEFI diagnostic code in the "UEFI diagnostic code" section of the Information Center for the appropriate user response.

Related Links:

- "Finding the UEFI diagnostic code" on page 648

806f070c-202f02ff Configuration Error for [PhysicalMemoryElementName] on Subsystem [MemoryElementName].

Explanation: A Memory DIMM configuration error has been detected.

May also be shown as 806f070c202f02ff or 0x806f070c202f02ff

Severity: Error

Alert Category: Critical - Memory

Serviceable: Yes

CIM Information: Prefix: PLAT and ID: 0126

SNMP Trap ID: 41

Automatically notify Support: No

User response: This is a UEFI detected event. The UEFI diagnostic code for this event can be found in the logged IMM message text. Please refer to the UEFI diagnostic code in the "UEFI diagnostic code" section of the Information Center for the appropriate user response.

Related Links:

- "Finding the UEFI diagnostic code" on page 648

806f070c-202ffff Configuration Error for [PhysicalMemoryElementName] on Subsystem [MemoryElementName].

Explanation: A Memory DIMM configuration error has been detected.

May also be shown as 806f070c202ffff or 0x806f070c202ffff

Severity: Error

Alert Category: Critical - Memory

Serviceable: Yes

CIM Information: Prefix: PLAT and ID: 0126

SNMP Trap ID: 41

Automatically notify Support: No

User response: This is a UEFI detected event. The UEFI diagnostic code for this event can be found in the logged

806f070c-203002ff • 806f070c-2581ffff

IMM message text. Please refer to the UEFI diagnostic code in the "UEFI diagnostic code" section of the Information Center for the appropriate user response.

Related Links:

- "Finding the UEFI diagnostic code" on page 648

806f070c-203002ff Configuration Error for [PhysicalMemoryElementName] on Subsystem [MemoryElementName].

Explanation: A Memory DIMM configuration error has been detected.

May also be shown as 806f070c203002ff or 0x806f070c203002ff

Severity: Error

Alert Category: Critical - Memory

Serviceable: Yes

CIM Information: Prefix: PLAT and ID: 0126

SNMP Trap ID: 41

Automatically notify Support: No

User response: This is a UEFI detected event. The UEFI diagnostic code for this event can be found in the logged IMM message text. Please refer to the UEFI diagnostic code in the "UEFI diagnostic code" section of the Information Center for the appropriate user response.

Related Links:

- "Finding the UEFI diagnostic code" on page 648

806f070c-2030ffff Configuration Error for [PhysicalMemoryElementName] on Subsystem [MemoryElementName].

Explanation: A Memory DIMM configuration error has been detected.

May also be shown as 806f070c2030ffff or 0x806f070c2030ffff

Severity: Error

Alert Category: Critical - Memory

Serviceable: Yes

CIM Information: Prefix: PLAT and ID: 0126

SNMP Trap ID: 41

Automatically notify Support: No

User response: This is a UEFI detected event. The UEFI diagnostic code for this event can be found in the logged IMM message text. Please refer to the UEFI diagnostic code in the "UEFI diagnostic code" section of the Information Center for the appropriate user response.

Related Links:

- "Finding the UEFI diagnostic code" on page 648

806f070c-2581ffff Configuration Error for [PhysicalMemoryElementName] on Subsystem [MemoryElementName].

Explanation: A memory DIMM configuration error has been detected.

May also be shown as 806f070c2581ffff or 0x806f070c2581ffff

Severity: Error

Alert Category: Critical - Memory

Serviceable: Yes

CIM Information: Prefix: PLAT and ID: 0126

SNMP Trap ID: 41

Automatically notify Support: No

User response: This is a UEFI detected event. The UEFI diagnostic code for this event can be found in the logged IMM message text. Please refer to the UEFI diagnostic code in the "UEFI diagnostic code" section of the Information Center for the appropriate user response.

Related Links:

- "Finding the UEFI diagnostic code" on page 648

806f070d-0400ffff Rebuild in progress for Array in system [ComputerSystemElementName].

Explanation: The array that contains Drive 0 is in the process of being rebuilt.

May also be shown as 806f070d0400ffff or 0x806f070d0400ffff

Severity: Info

Alert Category: System - Other

Serviceable: No

CIM Information: Prefix: PLAT and ID: 0178

SNMP Trap ID:

Automatically notify Support: No

User response: Information only; no action is required.

806f070d-0401ffff Rebuild in progress for Array in system [ComputerSystemElementName].

Explanation: The array that contains Drive 1 is in the process of being rebuilt.

May also be shown as 806f070d0401ffff or 0x806f070d0401ffff

Severity: Info

Alert Category: System - Other

Serviceable: No

CIM Information: Prefix: PLAT and ID: 0178

SNMP Trap ID:

Automatically notify Support: No

User response: Information only; no action is required.

806f070d-0402ffff Rebuild in progress for Array in system [ComputerSystemElementName].

Explanation: The array that contains Drive 2 is in the process of being rebuilt.

May also be shown as 806f070d0402ffff or 0x806f070d0402ffff

Severity: Info

Alert Category: System - Other

Serviceable: No

CIM Information: Prefix: PLAT and ID: 0178

SNMP Trap ID:

Automatically notify Support: No

User response: Information only; no action is required.

806f070d-0403ffff • 806f070d-0406ffff

806f070d-0403ffff Rebuild in progress for Array in system [ComputerSystemElementName].

Explanation: The array that contains Drive 3 is in the process of being rebuilt.

May also be shown as 806f070d0403ffff or 0x806f070d0403ffff

Severity: Info

Alert Category: System - Other

Serviceable: No

CIM Information: Prefix: PLAT and ID: 0178

SNMP Trap ID:

Automatically notify Support: No

User response: Information only; no action is required.

806f070d-0404ffff Rebuild in progress for Array in system [ComputerSystemElementName].

Explanation: The array that contains Drive 4 is in the process of being rebuilt.

May also be shown as 806f070d0404ffff or 0x806f070d0404ffff

Severity: Info

Alert Category: System - Other

Serviceable: No

CIM Information: Prefix: PLAT and ID: 0178

SNMP Trap ID:

Automatically notify Support: No

User response: Information only; no action is required.

806f070d-0405ffff Rebuild in progress for Array in system [ComputerSystemElementName].

Explanation: The array that contains Drive 5 is in the process of being rebuilt.

May also be shown as 806f070d0405ffff or 0x806f070d0405ffff

Severity: Info

Alert Category: System - Other

Serviceable: No

CIM Information: Prefix: PLAT and ID: 0178

SNMP Trap ID:

Automatically notify Support: No

User response: Information only; no action is required.

806f070d-0406ffff Rebuild in progress for Array in system [ComputerSystemElementName].

Explanation: The array that contains Drive 6 is in the process of being rebuilt.

May also be shown as 806f070d0406ffff or 0x806f070d0406ffff

Severity: Info

Alert Category: System - Other

Serviceable: No

CIM Information: Prefix: PLAT and ID: 0178

SNMP Trap ID:

Automatically notify Support: No

User response: Information only; no action is required.

806f070d-0407ffff Rebuild in progress for Array in system [ComputerSystemElementName].

Explanation: The array that contains Drive 7 is in the process of being rebuilt.

May also be shown as 806f070d0407ffff or 0x806f070d0407ffff

Severity: Info

Alert Category: System - Other

Serviceable: No

CIM Information: Prefix: PLAT and ID: 0178

SNMP Trap ID:

Automatically notify Support: No

User response: Information only; no action is required.

806f072b-2101ffff A successful software or firmware change was detected on system [ComputerSystemElementName].

Explanation: A successful software or firmware change (IMM Promotion or IMM Recovery) has been detected.

May also be shown as 806f072b2101ffff or 0x806f072b2101ffff

Severity: Info

Alert Category: System - Other

Serviceable: No

CIM Information: Prefix: PLAT and ID: 0450

SNMP Trap ID:

Automatically notify Support: No

User response: Information only; no action is required.

806f072b-2201ffff A successful software or firmware change was detected on system [ComputerSystemElementName].

Explanation: Successful Software or Firmware Change occurred for Bkup Auto Update or ROM Recovery

May also be shown as 806f072b2201ffff or 0x806f072b2201ffff

Severity: Info

Alert Category: System - Other

Serviceable: No

CIM Information: Prefix: PLAT and ID: 0450

SNMP Trap ID:

Automatically notify Support: No

User response: Information only; no action is required.

806f0807-0301ffff [ProcessorElementName] has been Disabled.

Explanation: A Processor has been Disabled.

May also be shown as 806f08070301ffff or 0x806f08070301ffff

Severity: Info

Alert Category: System - Other

Serviceable: No

CIM Information: Prefix: PLAT and ID: 0061

SNMP Trap ID:

Automatically notify Support: No

User response: This is a UEFI detected event. The UEFI diagnostic code for this event can be found in the logged IMM message text. Please refer to the UEFI diagnostic code in the "UEFI diagnostic code" section of the Information Center for the appropriate user response.

Related Links:

- "Finding the UEFI diagnostic code" on page 648
-

806f0807-0302ffff [ProcessorElementName] has been Disabled.

Explanation: A Processor has been Disabled.

May also be shown as 806f08070302ffff or 0x806f08070302ffff

Severity: Info

Alert Category: System - Other

Serviceable: No

CIM Information: Prefix: PLAT and ID: 0061

SNMP Trap ID:

Automatically notify Support: No

User response: This is a UEFI detected event. The UEFI diagnostic code for this event can be found in the logged IMM message text. Please refer to the UEFI diagnostic code in the "UEFI diagnostic code" section of the Information Center for the appropriate user response.

Related Links:

- "Finding the UEFI diagnostic code" on page 648
-

806f0807-2584ffff [ProcessorElementName] has been Disabled.

Explanation: A processor has been Disabled. All CPUs. One of CPUs.

May also be shown as 806f08072584ffff or 0x806f08072584ffff

Severity: Info

Alert Category: System - Other

Serviceable: No

CIM Information: Prefix: PLAT and ID: 0061

SNMP Trap ID:

Automatically notify Support: No

User response: This is a UEFI detected event. The UEFI diagnostic code for this event can be found in the logged IMM message text. Please refer to the UEFI diagnostic code in the "UEFI diagnostic code" section of the Information Center for the appropriate user response.

Related Links:

- “Finding the UEFI diagnostic code” on page 648

806f0813-2581ffff An Uncorrectable Bus Error has occurred on bus [SensorElementName].

Explanation: A catastrophic system error has occurred. The system firmware will attempt to analyze the failure to determine whether the failure was due to a hardware component or a software component.

May also be shown as 806f08132581ffff or 0x806f08132581ffff

Severity: Error

Alert Category: Critical - Other

Serviceable: Yes

CIM Information: Prefix: PLAT and ID: 0240

SNMP Trap ID: 50

Automatically notify Support: Yes

User response:

1. Check <http://www.ibm.com/supportportal/> for RETAIN tips or firmware updates that might correct the error.
2. Make sure that all I/O expansion adapters have correct and matching levels of device drivers and firmware.
3. Check the system-event log for additional information about failing components.
4. If there are no entries related to the error in the system-event log, contact IBM Support and send DSA data to IBM.

806f0813-2584ffff An Uncorrectable Bus Error has occurred on bus [SensorElementName].

Explanation: A catastrophic system error has occurred. The system firmware will attempt to analyze the failure to determine whether the failure was due to a hardware component or a software component.

May also be shown as 806f08132584ffff or 0x806f08132584ffff

Severity: Error

Alert Category: Critical - Other

Serviceable: Yes

CIM Information: Prefix: PLAT and ID: 0240

SNMP Trap ID: 50

Automatically notify Support: Yes

User response:

1. Check <http://www.ibm.com/supportportal/> for RETAIN tips or firmware updates that might correct the error.
2. Make sure that all I/O expansion adapters have correct and matching levels of device drivers and firmware.
3. Check the system-event log for additional information about failing components.
4. If there are no entries related to the error in the system-event log, contact IBM Support and send DSA data to IBM.

806f0823-2101ffff Watchdog Timer interrupt occurred for [WatchdogElementName].

Explanation: The IPMI watchdog timer has expired. A watchdog interrupt has occurred.

May also be shown as 806f08232101ffff or 0x806f08232101ffff

Severity: Info

Alert Category: System - Other

Serviceable: No

CIM Information: Prefix: PLAT and ID: 0376

SNMP Trap ID:

806f090c-2001ffff • 806f090c-2003ffff

Automatically notify Support: No

User response: Information only; no action is required.

806f090c-2001ffff [PhysicalMemoryElementName] on Subsystem [MemoryElementName] Throttled.

Explanation: Memory has been Throttled.

May also be shown as 806f090c2001ffff or 0x806f090c2001ffff

Severity: Warning

Alert Category: System - Other

Serviceable: Yes

CIM Information: Prefix: PLAT and ID: 0142

SNMP Trap ID: 22

Automatically notify Support: No

User response: Complete the following steps:

1. Check the CMM or FSM event log for any fan or cooling related issues.
2. Make sure that the airflow at the front and rear of the chassis is not obstructed and that fillers are in place and correctly installed.
3. Make sure that the room temperature is within operating specifications.
4. Make sure that the DIMM baffles are in place.
5. If the problem persists and there are no other DIMMs with the same indication, replace the DIMM.

806f090c-2002ffff [PhysicalMemoryElementName] on Subsystem [MemoryElementName] Throttled.

Explanation: Memory has been Throttled.

May also be shown as 806f090c2002ffff or 0x806f090c2002ffff

Severity: Warning

Alert Category: System - Other

Serviceable: Yes

CIM Information: Prefix: PLAT and ID: 0142

SNMP Trap ID: 22

Automatically notify Support: No

User response: Complete the following steps:

1. Check the CMM or FSM event log for any fan or cooling related issues.
2. Make sure that the airflow at the front and rear of the chassis is not obstructed and that fillers are in place and correctly installed.
3. Make sure that the room temperature is within operating specifications.
4. Make sure that the DIMM baffles are in place.
5. If the problem persists and there are no other DIMMs with the same indication, replace the DIMM.

806f090c-2003ffff [PhysicalMemoryElementName] on Subsystem [MemoryElementName] Throttled.

Explanation: Memory has been Throttled.

May also be shown as 806f090c2003ffff or 0x806f090c2003ffff

Severity: Warning

Alert Category: System - Other

Serviceable: Yes

CIM Information: Prefix: PLAT and ID: 0142

SNMP Trap ID: 22

Automatically notify Support: No

User response: Complete the following steps:

1. Check the CMM or FSM event log for any fan or cooling related issues.
2. Make sure that the airflow at the front and rear of the chassis is not obstructed and that fillers are in place and correctly installed.
3. Make sure that the room temperature is within operating specifications.
4. Make sure that the DIMM baffles are in place.
5. If the problem persists and there are no other DIMMs with the same indication, replace the DIMM.

806f090c-2004ffff [PhysicalMemoryElementName] on Subsystem [MemoryElementName] Throttled.

Explanation: Memory has been Throttled.

May also be shown as 806f090c2004ffff or 0x806f090c2004ffff

Severity: Warning

Alert Category: System - Other

Serviceable: Yes

CIM Information: Prefix: PLAT and ID: 0142

SNMP Trap ID: 22

Automatically notify Support: No

User response: Complete the following steps:

1. Check the CMM or FSM event log for any fan or cooling related issues.
2. Make sure that the airflow at the front and rear of the chassis is not obstructed and that fillers are in place and correctly installed.
3. Make sure that the room temperature is within operating specifications.
4. Make sure that the DIMM baffles are in place.
5. If the problem persists and there are no other DIMMs with the same indication, replace the DIMM.

806f090c-2005ffff [PhysicalMemoryElementName] on Subsystem [MemoryElementName] Throttled.

Explanation: Memory has been Throttled.

May also be shown as 806f090c2005ffff or 0x806f090c2005ffff

Severity: Warning

Alert Category: System - Other

Serviceable: Yes

CIM Information: Prefix: PLAT and ID: 0142

SNMP Trap ID: 22

Automatically notify Support: No

User response: Complete the following steps:

1. Check the CMM or FSM event log for any fan or cooling related issues.
2. Make sure that the airflow at the front and rear of the chassis is not obstructed and that fillers are in place and correctly installed.
3. Make sure that the room temperature is within operating specifications.
4. Make sure that the DIMM baffles are in place.
5. If the problem persists and there are no other DIMMs with the same indication, replace the DIMM.

806f090c-2006ffff [PhysicalMemoryElementName] on Subsystem [MemoryElementName] Throttled.

Explanation: Memory has been Throttled.

May also be shown as 806f090c2006ffff or 0x806f090c2006ffff

Severity: Warning

Alert Category: System - Other

Serviceable: Yes

CIM Information: Prefix: PLAT and ID: 0142

SNMP Trap ID: 22

Automatically notify Support: No

User response: Complete the following steps:

1. Check the CMM or FSM event log for any fan or cooling related issues.
2. Make sure that the airflow at the front and rear of the chassis is not obstructed and that fillers are in place and correctly installed.
3. Make sure that the room temperature is within operating specifications.
4. Make sure that the DIMM baffles are in place.
5. If the problem persists and there are no other DIMMs with the same indication, replace the DIMM.

806f090c-2007ffff [PhysicalMemoryElementName] on Subsystem [MemoryElementName] Throttled.

Explanation: Memory has been Throttled.

May also be shown as 806f090c2007ffff or 0x806f090c2007ffff

Severity: Warning

Alert Category: System - Other

Serviceable: Yes

CIM Information: Prefix: PLAT and ID: 0142

SNMP Trap ID: 22

Automatically notify Support: No

User response: Complete the following steps:

1. Check the CMM or FSM event log for any fan or cooling related issues.
2. Make sure that the airflow at the front and rear of the chassis is not obstructed and that fillers are in place and correctly installed.
3. Make sure that the room temperature is within operating specifications.
4. Make sure that the DIMM baffles are in place.
5. If the problem persists and there are no other DIMMs with the same indication, replace the DIMM.

806f090c-2008ffff [PhysicalMemoryElementName] on Subsystem [MemoryElementName] Throttled.

Explanation: Memory has been Throttled.

May also be shown as 806f090c2008ffff or 0x806f090c2008ffff

Severity: Warning

Alert Category: System - Other

Serviceable: Yes

CIM Information: Prefix: PLAT and ID: 0142

SNMP Trap ID: 22

Automatically notify Support: No

User response: Complete the following steps:

1. Check the CMM or FSM event log for any fan or cooling related issues.
2. Make sure that the airflow at the front and rear of the chassis is not obstructed and that fillers are in place and correctly installed.
3. Make sure that the room temperature is within operating specifications.
4. Make sure that the DIMM baffles are in place.
5. If the problem persists and there are no other DIMMs with the same indication, replace the DIMM.

806f090c-2009ffff [PhysicalMemoryElementName] on Subsystem [MemoryElementName] Throttled.

Explanation: Memory has been Throttled.

May also be shown as 806f090c2009ffff or 0x806f090c2009ffff

Severity: Warning

Alert Category: System - Other

Serviceable: Yes

CIM Information: Prefix: PLAT and ID: 0142

SNMP Trap ID: 22

Automatically notify Support: No

User response: Complete the following steps:

1. Check the CMM or FSM event log for any fan or cooling related issues.
2. Make sure that the airflow at the front and rear of the chassis is not obstructed and that fillers are in place and correctly installed.
3. Make sure that the room temperature is within operating specifications.
4. Make sure that the DIMM baffles are in place.
5. If the problem persists and there are no other DIMMs with the same indication, replace the DIMM.

806f090c-200affff [PhysicalMemoryElementName] on Subsystem [MemoryElementName] Throttled.

Explanation: Memory has been Throttled.

May also be shown as 806f090c200affff or 0x806f090c200affff

Severity: Warning

Alert Category: System - Other

Serviceable: Yes

CIM Information: Prefix: PLAT and ID: 0142

SNMP Trap ID: 22

Automatically notify Support: No

User response: Complete the following steps:

1. Check the CMM or FSM event log for any fan or cooling related issues.
2. Make sure that the airflow at the front and rear of the chassis is not obstructed and that fillers are in place and correctly installed.
3. Make sure that the room temperature is within operating specifications.
4. Make sure that the DIMM baffles are in place.
5. If the problem persists and there are no other DIMMs with the same indication, replace the DIMM.

806f090c-200bffff [PhysicalMemoryElementName] on Subsystem [MemoryElementName] Throttled.

Explanation: Memory has been Throttled.

May also be shown as 806f090c200bffff or 0x806f090c200bffff

Severity: Warning

Alert Category: System - Other

Serviceable: Yes

CIM Information: Prefix: PLAT and ID: 0142

SNMP Trap ID: 22

Automatically notify Support: No

User response: Complete the following steps:

1. Check the CMM or FSM event log for any fan or cooling related issues.
 2. Make sure that the airflow at the front and rear of the chassis is not obstructed and that fillers are in place and correctly installed.
 3. Make sure that the room temperature is within operating specifications.
 4. Make sure that the DIMM baffles are in place.
 5. If the problem persists and there are no other DIMMs with the same indication, replace the DIMM.
-

806f090c-200cffff [PhysicalMemoryElementName] on Subsystem [MemoryElementName] Throttled.

Explanation: Memory has been Throttled.

May also be shown as 806f090c200cffff or 0x806f090c200cffff

Severity: Warning

Alert Category: System - Other

Serviceable: Yes

CIM Information: Prefix: PLAT and ID: 0142

SNMP Trap ID: 22

Automatically notify Support: No

User response: Complete the following steps:

1. Check the CMM or FSM event log for any fan or cooling related issues.
 2. Make sure that the airflow at the front and rear of the chassis is not obstructed and that fillers are in place and correctly installed.
 3. Make sure that the room temperature is within operating specifications.
 4. Make sure that the DIMM baffles are in place.
 5. If the problem persists and there are no other DIMMs with the same indication, replace the DIMM.
-

806f090c-200dffff [PhysicalMemoryElementName] on Subsystem [MemoryElementName] Throttled.

Explanation: Memory has been Throttled.

May also be shown as 806f090c200dffff or 0x806f090c200dffff

Severity: Warning

Alert Category: System - Other

Serviceable: Yes

CIM Information: Prefix: PLAT and ID: 0142

SNMP Trap ID: 22

Automatically notify Support: No

User response: Complete the following steps:

1. Check the CMM or FSM event log for any fan or cooling related issues.
2. Make sure that the airflow at the front and rear of the chassis is not obstructed and that fillers are in place and correctly installed.
3. Make sure that the room temperature is within operating specifications.
4. Make sure that the DIMM baffles are in place.
5. If the problem persists and there are no other DIMMs with the same indication, replace the DIMM.

806f090c-200effff [PhysicalMemoryElementName] on Subsystem [MemoryElementName] Throttled.

Explanation: Memory has been Throttled.

May also be shown as 806f090c200effff or 0x806f090c200effff

Severity: Warning

Alert Category: System - Other

Serviceable: Yes

CIM Information: Prefix: PLAT and ID: 0142

SNMP Trap ID: 22

Automatically notify Support: No

User response: Complete the following steps:

1. Check the CMM or FSM event log for any fan or cooling related issues.
2. Make sure that the airflow at the front and rear of the chassis is not obstructed and that fillers are in place and correctly installed.
3. Make sure that the room temperature is within operating specifications.
4. Make sure that the DIMM baffles are in place.
5. If the problem persists and there are no other DIMMs with the same indication, replace the DIMM.

806f090c-200ffff [PhysicalMemoryElementName] on Subsystem [MemoryElementName] Throttled.

Explanation: Memory has been Throttled.

May also be shown as 806f090c200ffff or 0x806f090c200ffff

Severity: Warning

Alert Category: System - Other

Serviceable: Yes

CIM Information: Prefix: PLAT and ID: 0142

SNMP Trap ID: 22

Automatically notify Support: No

User response: Complete the following steps:

1. Check the CMM or FSM event log for any fan or cooling related issues.
2. Make sure that the airflow at the front and rear of the chassis is not obstructed and that fillers are in place and correctly installed.
3. Make sure that the room temperature is within operating specifications.
4. Make sure that the DIMM baffles are in place.
5. If the problem persists and there are no other DIMMs with the same indication, replace the DIMM.

806f090c-2010ffff [PhysicalMemoryElementName] on Subsystem [MemoryElementName] Throttled.

Explanation: Memory has been Throttled.

May also be shown as 806f090c2010ffff or 0x806f090c2010ffff

Severity: Warning

Alert Category: System - Other

Serviceable: Yes

CIM Information: Prefix: PLAT and ID: 0142

SNMP Trap ID: 22

Automatically notify Support: No

User response: Complete the following steps:

1. Check the CMM or FSM event log for any fan or cooling related issues.
 2. Make sure that the airflow at the front and rear of the chassis is not obstructed and that fillers are in place and correctly installed.
 3. Make sure that the room temperature is within operating specifications.
 4. Make sure that the DIMM baffles are in place.
 5. If the problem persists and there are no other DIMMs with the same indication, replace the DIMM.
-

806f090c-2011ffff [PhysicalMemoryElementName] on Subsystem [MemoryElementName] Throttled.

Explanation: Memory has been Throttled.

May also be shown as 806f090c2011ffff or 0x806f090c2011ffff

Severity: Warning

Alert Category: System - Other

Serviceable: Yes

CIM Information: Prefix: PLAT and ID: 0142

SNMP Trap ID: 22

Automatically notify Support: No

User response: Complete the following steps:

1. Check the CMM or FSM event log for any fan or cooling related issues.
 2. Make sure that the airflow at the front and rear of the chassis is not obstructed and that fillers are in place and correctly installed.
 3. Make sure that the room temperature is within operating specifications.
 4. Make sure that the DIMM baffles are in place.
 5. If the problem persists and there are no other DIMMs with the same indication, replace the DIMM.
-

806f090c-2012ffff [PhysicalMemoryElementName] on Subsystem [MemoryElementName] Throttled.

Explanation: Memory has been Throttled.

May also be shown as 806f090c2012ffff or 0x806f090c2012ffff

Severity: Warning

Alert Category: System - Other

Serviceable: Yes

CIM Information: Prefix: PLAT and ID: 0142

SNMP Trap ID: 22

Automatically notify Support: No

User response: Complete the following steps:

1. Check the CMM or FSM event log for any fan or cooling related issues.
2. Make sure that the airflow at the front and rear of the chassis is not obstructed and that fillers are in place and correctly installed.
3. Make sure that the room temperature is within operating specifications.
4. Make sure that the DIMM baffles are in place.
5. If the problem persists and there are no other DIMMs with the same indication, replace the DIMM.

806f090c-2013ffff [PhysicalMemoryElementName] on Subsystem [MemoryElementName] Throttled.

Explanation: Memory has been Throttled.

May also be shown as 806f090c2013ffff or 0x806f090c2013ffff

Severity: Warning

Alert Category: System - Other

Serviceable: Yes

CIM Information: Prefix: PLAT and ID: 0142

SNMP Trap ID: 22

Automatically notify Support: No

User response: Complete the following steps:

1. Check the CMM or FSM event log for any fan or cooling related issues.
2. Make sure that the airflow at the front and rear of the chassis is not obstructed and that fillers are in place and correctly installed.
3. Make sure that the room temperature is within operating specifications.
4. Make sure that the DIMM baffles are in place.
5. If the problem persists and there are no other DIMMs with the same indication, replace the DIMM.

806f090c-2014ffff [PhysicalMemoryElementName] on Subsystem [MemoryElementName] Throttled.

Explanation: Memory has been Throttled.

May also be shown as 806f090c2014ffff or 0x806f090c2014ffff

Severity: Warning

Alert Category: System - Other

Serviceable: Yes

CIM Information: Prefix: PLAT and ID: 0142

SNMP Trap ID: 22

Automatically notify Support: No

User response: Complete the following steps:

1. Check the CMM or FSM event log for any fan or cooling related issues.
2. Make sure that the airflow at the front and rear of the chassis is not obstructed and that fillers are in place and correctly installed.
3. Make sure that the room temperature is within operating specifications.
4. Make sure that the DIMM baffles are in place.
5. If the problem persists and there are no other DIMMs with the same indication, replace the DIMM.

806f090c-2015ffff [PhysicalMemoryElementName] on Subsystem [MemoryElementName] Throttled.

Explanation: Memory has been Throttled.

May also be shown as 806f090c2015ffff or 0x806f090c2015ffff

Severity: Warning

Alert Category: System - Other

Serviceable: Yes

CIM Information: Prefix: PLAT and ID: 0142

SNMP Trap ID: 22

Automatically notify Support: No

User response: Complete the following steps:

1. Check the CMM or FSM event log for any fan or cooling related issues.
 2. Make sure that the airflow at the front and rear of the chassis is not obstructed and that fillers are in place and correctly installed.
 3. Make sure that the room temperature is within operating specifications.
 4. Make sure that the DIMM baffles are in place.
 5. If the problem persists and there are no other DIMMs with the same indication, replace the DIMM.
-

806f090c-2016ffff [PhysicalMemoryElementName] on Subsystem [MemoryElementName] Throttled.

Explanation: Memory has been Throttled.

May also be shown as 806f090c2016ffff or 0x806f090c2016ffff

Severity: Warning

Alert Category: System - Other

Serviceable: Yes

CIM Information: Prefix: PLAT and ID: 0142

SNMP Trap ID: 22

Automatically notify Support: No

User response: Complete the following steps:

1. Check the CMM or FSM event log for any fan or cooling related issues.
 2. Make sure that the airflow at the front and rear of the chassis is not obstructed and that fillers are in place and correctly installed.
 3. Make sure that the room temperature is within operating specifications.
 4. Make sure that the DIMM baffles are in place.
 5. If the problem persists and there are no other DIMMs with the same indication, replace the DIMM.
-

806f090c-2017ffff [PhysicalMemoryElementName] on Subsystem [MemoryElementName] Throttled.

Explanation: Memory has been Throttled.

May also be shown as 806f090c2017ffff or 0x806f090c2017ffff

Severity: Warning

Alert Category: System - Other

Serviceable: Yes

CIM Information: Prefix: PLAT and ID: 0142

SNMP Trap ID: 22

Automatically notify Support: No

User response: Complete the following steps:

1. Check the CMM or FSM event log for any fan or cooling related issues.
2. Make sure that the airflow at the front and rear of the chassis is not obstructed and that fillers are in place and correctly installed.
3. Make sure that the room temperature is within operating specifications.
4. Make sure that the DIMM baffles are in place.
5. If the problem persists and there are no other DIMMs with the same indication, replace the DIMM.

806f090c-2018ffff [PhysicalMemoryElementName] on Subsystem [MemoryElementName] Throttled.

Explanation: Memory has been Throttled.

May also be shown as 806f090c2018ffff or 0x806f090c2018ffff

Severity: Warning

Alert Category: System - Other

Serviceable: Yes

CIM Information: Prefix: PLAT and ID: 0142

SNMP Trap ID: 22

Automatically notify Support: No

User response: Complete the following steps:

1. Check the CMM or FSM event log for any fan or cooling related issues.
2. Make sure that the airflow at the front and rear of the chassis is not obstructed and that fillers are in place and correctly installed.
3. Make sure that the room temperature is within operating specifications.
4. Make sure that the DIMM baffles are in place.
5. If the problem persists and there are no other DIMMs with the same indication, replace the DIMM.

806f090c-2019ffff [PhysicalMemoryElementName] on Subsystem [MemoryElementName] Throttled.

Explanation: Memory has been Throttled.

May also be shown as 806f090c2019ffff or 0x806f090c2019ffff

Severity: Warning

Alert Category: System - Other

Serviceable: Yes

CIM Information: Prefix: PLAT and ID: 0142

SNMP Trap ID: 22

Automatically notify Support: No

User response: Complete the following steps:

1. Check the CMM or FSM event log for any fan or cooling related issues.
2. Make sure that the airflow at the front and rear of the chassis is not obstructed and that fillers are in place and correctly installed.
3. Make sure that the room temperature is within operating specifications.
4. Make sure that the DIMM baffles are in place.
5. If the problem persists and there are no other DIMMs with the same indication, replace the DIMM.

806f090c-201affff [PhysicalMemoryElementName] on Subsystem [MemoryElementName] Throttled.

Explanation: Memory has been Throttled.

May also be shown as 806f090c201affff or 0x806f090c201affff

Severity: Warning

Alert Category: System - Other

Serviceable: Yes

CIM Information: Prefix: PLAT and ID: 0142

SNMP Trap ID: 22

Automatically notify Support: No

User response: Complete the following steps:

1. Check the CMM or FSM event log for any fan or cooling related issues.
2. Make sure that the airflow at the front and rear of the chassis is not obstructed and that fillers are in place and correctly installed.
3. Make sure that the room temperature is within operating specifications.
4. Make sure that the DIMM baffles are in place.
5. If the problem persists and there are no other DIMMs with the same indication, replace the DIMM.

806f090c-201bffff [PhysicalMemoryElementName] on Subsystem [MemoryElementName] Throttled.

Explanation: Memory has been Throttled.

May also be shown as 806f090c201bffff or 0x806f090c201bffff

Severity: Warning

Alert Category: System - Other

Serviceable: Yes

CIM Information: Prefix: PLAT and ID: 0142

SNMP Trap ID: 22

Automatically notify Support: No

User response: Complete the following steps:

1. Check the CMM or FSM event log for any fan or cooling related issues.
2. Make sure that the airflow at the front and rear of the chassis is not obstructed and that fillers are in place and correctly installed.
3. Make sure that the room temperature is within operating specifications.
4. Make sure that the DIMM baffles are in place.
5. If the problem persists and there are no other DIMMs with the same indication, replace the DIMM.

806f090c-201cffff [PhysicalMemoryElementName] on Subsystem [MemoryElementName] Throttled.

Explanation: Memory has been Throttled.

May also be shown as 806f090c201cffff or 0x806f090c201cffff

Severity: Warning

Alert Category: System - Other

Serviceable: Yes

CIM Information: Prefix: PLAT and ID: 0142

SNMP Trap ID: 22

Automatically notify Support: No

User response: Complete the following steps:

1. Check the CMM or FSM event log for any fan or cooling related issues.
2. Make sure that the airflow at the front and rear of the chassis is not obstructed and that fillers are in place and correctly installed.
3. Make sure that the room temperature is within operating specifications.
4. Make sure that the DIMM baffles are in place.
5. If the problem persists and there are no other DIMMs with the same indication, replace the DIMM.

806f090c-201dffff [PhysicalMemoryElementName] on Subsystem [MemoryElementName] Throttled.

Explanation: Memory has been Throttled.

May also be shown as 806f090c201dffff or 0x806f090c201dffff

Severity: Warning

Alert Category: System - Other

Serviceable: Yes

CIM Information: Prefix: PLAT and ID: 0142

SNMP Trap ID: 22

Automatically notify Support: No

User response: Complete the following steps:

1. Check the CMM or FSM event log for any fan or cooling related issues.
2. Make sure that the airflow at the front and rear of the chassis is not obstructed and that fillers are in place and correctly installed.
3. Make sure that the room temperature is within operating specifications.
4. Make sure that the DIMM baffles are in place.
5. If the problem persists and there are no other DIMMs with the same indication, replace the DIMM.

806f090c-201effff [PhysicalMemoryElementName] on Subsystem [MemoryElementName] Throttled.

Explanation: Memory has been Throttled.

May also be shown as 806f090c201effff or 0x806f090c201effff

Severity: Warning

Alert Category: System - Other

Serviceable: Yes

CIM Information: Prefix: PLAT and ID: 0142

SNMP Trap ID: 22

Automatically notify Support: No

User response: Complete the following steps:

1. Check the CMM or FSM event log for any fan or cooling related issues.
2. Make sure that the airflow at the front and rear of the chassis is not obstructed and that fillers are in place and correctly installed.
3. Make sure that the room temperature is within operating specifications.
4. Make sure that the DIMM baffles are in place.
5. If the problem persists and there are no other DIMMs with the same indication, replace the DIMM.

806f090c-201ffff [PhysicalMemoryElementName] on Subsystem [MemoryElementName] Throttled.

Explanation: Memory has been Throttled.

May also be shown as 806f090c201ffff or 0x806f090c201ffff

Severity: Warning

Alert Category: System - Other

Serviceable: Yes

CIM Information: Prefix: PLAT and ID: 0142

SNMP Trap ID: 22

Automatically notify Support: No

User response: Complete the following steps:

1. Check the CMM or FSM event log for any fan or cooling related issues.
 2. Make sure that the airflow at the front and rear of the chassis is not obstructed and that fillers are in place and correctly installed.
 3. Make sure that the room temperature is within operating specifications.
 4. Make sure that the DIMM baffles are in place.
 5. If the problem persists and there are no other DIMMs with the same indication, replace the DIMM.
-

806f090c-2020ffff [PhysicalMemoryElementName] on Subsystem [MemoryElementName] Throttled.

Explanation: Memory has been Throttled.

May also be shown as 806f090c2020ffff or 0x806f090c2020ffff

Severity: Warning

Alert Category: System - Other

Serviceable: Yes

CIM Information: Prefix: PLAT and ID: 0142

SNMP Trap ID: 22

Automatically notify Support: No

User response: Complete the following steps:

1. Check the CMM or FSM event log for any fan or cooling related issues.
 2. Make sure that the airflow at the front and rear of the chassis is not obstructed and that fillers are in place and correctly installed.
 3. Make sure that the room temperature is within operating specifications.
 4. Make sure that the DIMM baffles are in place.
 5. If the problem persists and there are no other DIMMs with the same indication, replace the DIMM.
-

806f090c-202101ff [PhysicalMemoryElementName] on Subsystem [MemoryElementName] Throttled.

Explanation: Memory has been Throttled.

May also be shown as 806f090c202101ff or 0x806f090c202101ff

Severity: Warning

Alert Category: System - Other

Serviceable: Yes

CIM Information: Prefix: PLAT and ID: 0142

SNMP Trap ID: 22

Automatically notify Support: No

User response: Complete the following steps:

1. Check the CMM or FSM event log for any fan or cooling related issues.
2. Make sure that the airflow at the front and rear of the chassis is not obstructed and that fillers are in place and correctly installed.
3. Make sure that the room temperature is within operating specifications.
4. Make sure that the DIMM baffles are in place.
5. If the problem persists and there are no other DIMMs with the same indication, replace the DIMM.

806f090c-2021ffff [PhysicalMemoryElementName] on Subsystem [MemoryElementName] Throttled.

Explanation: Memory has been Throttled.

May also be shown as 806f090c2021ffff or 0x806f090c2021ffff

Severity: Warning

Alert Category: System - Other

Serviceable: Yes

CIM Information: Prefix: PLAT and ID: 0142

SNMP Trap ID: 22

Automatically notify Support: No

User response: Complete the following steps:

1. Check the CMM or FSM event log for any fan or cooling related issues.
2. Make sure that the airflow at the front and rear of the chassis is not obstructed and that fillers are in place and correctly installed.
3. Make sure that the room temperature is within operating specifications.
4. Make sure that the DIMM baffles are in place.
5. If the problem persists and there are no other DIMMs with the same indication, replace the DIMM.

806f090c-2022ffff [PhysicalMemoryElementName] on Subsystem [MemoryElementName] Throttled.

Explanation: Memory has been Throttled.

May also be shown as 806f090c2022ffff or 0x806f090c2022ffff

Severity: Warning

Alert Category: System - Other

Serviceable: Yes

CIM Information: Prefix: PLAT and ID: 0142

SNMP Trap ID: 22

Automatically notify Support: No

User response: Complete the following steps:

1. Check the CMM or FSM event log for any fan or cooling related issues.
2. Make sure that the airflow at the front and rear of the chassis is not obstructed and that fillers are in place and correctly installed.
3. Make sure that the room temperature is within operating specifications.
4. Make sure that the DIMM baffles are in place.
5. If the problem persists and there are no other DIMMs with the same indication, replace the DIMM.

806f090c-2023ffff [PhysicalMemoryElementName] on Subsystem [MemoryElementName] Throttled.

Explanation: Memory has been Throttled.

May also be shown as 806f090c2023ffff or 0x806f090c2023ffff

Severity: Warning

Alert Category: System - Other

Serviceable: Yes

CIM Information: Prefix: PLAT and ID: 0142

SNMP Trap ID: 22

Automatically notify Support: No

User response: Complete the following steps:

1. Check the CMM or FSM event log for any fan or cooling related issues.
 2. Make sure that the airflow at the front and rear of the chassis is not obstructed and that fillers are in place and correctly installed.
 3. Make sure that the room temperature is within operating specifications.
 4. Make sure that the DIMM baffles are in place.
 5. If the problem persists and there are no other DIMMs with the same indication, replace the DIMM.
-

806f090c-2024ffff [PhysicalMemoryElementName] on Subsystem [MemoryElementName] Throttled.

Explanation: Memory has been Throttled.

May also be shown as 806f090c2024ffff or 0x806f090c2024ffff

Severity: Warning

Alert Category: System - Other

Serviceable: Yes

CIM Information: Prefix: PLAT and ID: 0142

SNMP Trap ID: 22

Automatically notify Support: No

User response: Complete the following steps:

1. Check the CMM or FSM event log for any fan or cooling related issues.
 2. Make sure that the airflow at the front and rear of the chassis is not obstructed and that fillers are in place and correctly installed.
 3. Make sure that the room temperature is within operating specifications.
 4. Make sure that the DIMM baffles are in place.
 5. If the problem persists and there are no other DIMMs with the same indication, replace the DIMM.
-

806f090c-2025ffff [PhysicalMemoryElementName] on Subsystem [MemoryElementName] Throttled.

Explanation: Memory has been Throttled.

May also be shown as 806f090c2025ffff or 0x806f090c2025ffff

Severity: Warning

Alert Category: System - Other

Serviceable: Yes

CIM Information: Prefix: PLAT and ID: 0142

SNMP Trap ID: 22

Automatically notify Support: No

User response: Complete the following steps:

1. Check the CMM or FSM event log for any fan or cooling related issues.
2. Make sure that the airflow at the front and rear of the chassis is not obstructed and that fillers are in place and correctly installed.
3. Make sure that the room temperature is within operating specifications.
4. Make sure that the DIMM baffles are in place.
5. If the problem persists and there are no other DIMMs with the same indication, replace the DIMM.

806f090c-2026ffff [PhysicalMemoryElementName] on Subsystem [MemoryElementName] Throttled.

Explanation: Memory has been Throttled.

May also be shown as 806f090c2026ffff or 0x806f090c2026ffff

Severity: Warning

Alert Category: System - Other

Serviceable: Yes

CIM Information: Prefix: PLAT and ID: 0142

SNMP Trap ID: 22

Automatically notify Support: No

User response: Complete the following steps:

1. Check the CMM or FSM event log for any fan or cooling related issues.
2. Make sure that the airflow at the front and rear of the chassis is not obstructed and that fillers are in place and correctly installed.
3. Make sure that the room temperature is within operating specifications.
4. Make sure that the DIMM baffles are in place.
5. If the problem persists and there are no other DIMMs with the same indication, replace the DIMM.

806f090c-2027ffff [PhysicalMemoryElementName] on Subsystem [MemoryElementName] Throttled.

Explanation: Memory has been Throttled.

May also be shown as 806f090c2027ffff or 0x806f090c2027ffff

Severity: Warning

Alert Category: System - Other

Serviceable: Yes

CIM Information: Prefix: PLAT and ID: 0142

SNMP Trap ID: 22

Automatically notify Support: No

User response: Complete the following steps:

1. Check the CMM or FSM event log for any fan or cooling related issues.
2. Make sure that the airflow at the front and rear of the chassis is not obstructed and that fillers are in place and correctly installed.
3. Make sure that the room temperature is within operating specifications.
4. Make sure that the DIMM baffles are in place.
5. If the problem persists and there are no other DIMMs with the same indication, replace the DIMM.

806f090c-2028ffff [PhysicalMemoryElementName] on Subsystem [MemoryElementName] Throttled.

Explanation: Memory has been Throttled.

May also be shown as 806f090c2028ffff or 0x806f090c2028ffff

Severity: Warning

Alert Category: System - Other

Serviceable: Yes

CIM Information: Prefix: PLAT and ID: 0142

SNMP Trap ID: 22

Automatically notify Support: No

User response: Complete the following steps:

1. Check the CMM or FSM event log for any fan or cooling related issues.
2. Make sure that the airflow at the front and rear of the chassis is not obstructed and that fillers are in place and correctly installed.
3. Make sure that the room temperature is within operating specifications.
4. Make sure that the DIMM baffles are in place.
5. If the problem persists and there are no other DIMMs with the same indication, replace the DIMM.

806f090c-2029ffff [PhysicalMemoryElementName] on Subsystem [MemoryElementName] Throttled.

Explanation: Memory has been Throttled.

May also be shown as 806f090c2029ffff or 0x806f090c2029ffff

Severity: Warning

Alert Category: System - Other

Serviceable: Yes

CIM Information: Prefix: PLAT and ID: 0142

SNMP Trap ID: 22

Automatically notify Support: No

User response: Complete the following steps:

1. Check the CMM or FSM event log for any fan or cooling related issues.
2. Make sure that the airflow at the front and rear of the chassis is not obstructed and that fillers are in place and correctly installed.
3. Make sure that the room temperature is within operating specifications.
4. Make sure that the DIMM baffles are in place.
5. If the problem persists and there are no other DIMMs with the same indication, replace the DIMM.

806f090c-202affff [PhysicalMemoryElementName] on Subsystem [MemoryElementName] Throttled.

Explanation: Memory has been Throttled.

May also be shown as 806f090c202affff or 0x806f090c202affff

Severity: Warning

Alert Category: System - Other

Serviceable: Yes

CIM Information: Prefix: PLAT and ID: 0142

SNMP Trap ID: 22

Automatically notify Support: No

User response: Complete the following steps:

1. Check the CMM or FSM event log for any fan or cooling related issues.
2. Make sure that the airflow at the front and rear of the chassis is not obstructed and that fillers are in place and correctly installed.
3. Make sure that the room temperature is within operating specifications.
4. Make sure that the DIMM baffles are in place.
5. If the problem persists and there are no other DIMMs with the same indication, replace the DIMM.

806f090c-202bffff [PhysicalMemoryElementName] on Subsystem [MemoryElementName] Throttled.

Explanation: Memory has been Throttled.

May also be shown as 806f090c202bffff or 0x806f090c202bffff

Severity: Warning

Alert Category: System - Other

Serviceable: Yes

CIM Information: Prefix: PLAT and ID: 0142

SNMP Trap ID: 22

Automatically notify Support: No

User response: Complete the following steps:

1. Check the CMM or FSM event log for any fan or cooling related issues.
2. Make sure that the airflow at the front and rear of the chassis is not obstructed and that fillers are in place and correctly installed.
3. Make sure that the room temperature is within operating specifications.
4. Make sure that the DIMM baffles are in place.
5. If the problem persists and there are no other DIMMs with the same indication, replace the DIMM.

806f090c-202cffff [PhysicalMemoryElementName] on Subsystem [MemoryElementName] Throttled.

Explanation: Memory has been Throttled.

May also be shown as 806f090c202cffff or 0x806f090c202cffff

Severity: Warning

Alert Category: System - Other

Serviceable: Yes

CIM Information: Prefix: PLAT and ID: 0142

SNMP Trap ID: 22

Automatically notify Support: No

User response: Complete the following steps:

1. Check the CMM or FSM event log for any fan or cooling related issues.
2. Make sure that the airflow at the front and rear of the chassis is not obstructed and that fillers are in place and correctly installed.
3. Make sure that the room temperature is within operating specifications.
4. Make sure that the DIMM baffles are in place.
5. If the problem persists and there are no other DIMMs with the same indication, replace the DIMM.

806f090c-202dffff [PhysicalMemoryElementName] on Subsystem [MemoryElementName] Throttled.

Explanation: Memory has been Throttled.

May also be shown as 806f090c202dffff or 0x806f090c202dffff

Severity: Warning

Alert Category: System - Other

Serviceable: Yes

CIM Information: Prefix: PLAT and ID: 0142

SNMP Trap ID: 22

Automatically notify Support: No

User response: Complete the following steps:

1. Check the CMM or FSM event log for any fan or cooling related issues.
 2. Make sure that the airflow at the front and rear of the chassis is not obstructed and that fillers are in place and correctly installed.
 3. Make sure that the room temperature is within operating specifications.
 4. Make sure that the DIMM baffles are in place.
 5. If the problem persists and there are no other DIMMs with the same indication, replace the DIMM.
-

806f090c-202effff [PhysicalMemoryElementName] on Subsystem [MemoryElementName] Throttled.

Explanation: Memory has been Throttled.

May also be shown as 806f090c202effff or 0x806f090c202effff

Severity: Warning

Alert Category: System - Other

Serviceable: Yes

CIM Information: Prefix: PLAT and ID: 0142

SNMP Trap ID: 22

Automatically notify Support: No

User response: Complete the following steps:

1. Check the CMM or FSM event log for any fan or cooling related issues.
 2. Make sure that the airflow at the front and rear of the chassis is not obstructed and that fillers are in place and correctly installed.
 3. Make sure that the room temperature is within operating specifications.
 4. Make sure that the DIMM baffles are in place.
 5. If the problem persists and there are no other DIMMs with the same indication, replace the DIMM.
-

806f090c-202fffff [PhysicalMemoryElementName] on Subsystem [MemoryElementName] Throttled.

Explanation: Memory has been Throttled.

May also be shown as 806f090c202fffff or 0x806f090c202fffff

Severity: Warning

Alert Category: System - Other

Serviceable: Yes

CIM Information: Prefix: PLAT and ID: 0142

SNMP Trap ID: 22

Automatically notify Support: No

User response: Complete the following steps:

1. Check the CMM or FSM event log for any fan or cooling related issues.
2. Make sure that the airflow at the front and rear of the chassis is not obstructed and that fillers are in place and correctly installed.
3. Make sure that the room temperature is within operating specifications.
4. Make sure that the DIMM baffles are in place.
5. If the problem persists and there are no other DIMMs with the same indication, replace the DIMM.

806f090c-2030ffff [PhysicalMemoryElementName] on Subsystem [MemoryElementName] Throttled.

Explanation: Memory has been Throttled.

May also be shown as 806f090c2030ffff or 0x806f090c2030ffff

Severity: Warning

Alert Category: System - Other

Serviceable: Yes

CIM Information: Prefix: PLAT and ID: 0142

SNMP Trap ID: 22

Automatically notify Support: No

User response: Complete the following steps:

1. Check the CMM or FSM event log for any fan or cooling related issues.
2. Make sure that the airflow at the front and rear of the chassis is not obstructed and that fillers are in place and correctly installed.
3. Make sure that the room temperature is within operating specifications.
4. Make sure that the DIMM baffles are in place.
5. If the problem persists and there are no other DIMMs with the same indication, replace the DIMM.

806f0a07-0301ffff [ProcessorElementName] is operating in a Degraded State.

Explanation: The processor is being throttled due to thermal or power conditions.

May also be shown as 806f0a070301ffff or 0x806f0a070301ffff

Severity: Warning

Alert Category: Warning - CPU

Serviceable: Yes

CIM Information: Prefix: PLAT and ID: 0038

SNMP Trap ID: 42

Automatically notify Support: No

User response: Complete the following steps:

1. Check the CMM or FSM event log for any fan- or cooling-related issues or power-related issues..
2. Make sure that the airflow at the front and rear of the chassis is not obstructed and that fillers are in place and correctly installed.
3. Make sure that the room temperature is within operating specifications.

806f0a07-0302ffff [ProcessorElementName] is operating in a Degraded State.

Explanation: The processor is being throttled due to thermal or power conditions.

May also be shown as 806f0a070302ffff or 0x806f0a070302ffff

Severity: Warning

806f0a07-2584ffff • 806f0a0c-2001ffff

Alert Category: Warning - CPU

Serviceable: Yes

CIM Information: **Prefix:** PLAT and **ID:** 0038

SNMP Trap ID: 42

Automatically notify Support: No

User response: Complete the following steps:

1. Check the CMM or FSM event log for any fan- or cooling-related issues or power-related issues..
2. Make sure that the airflow at the front and rear of the chassis is not obstructed and that fillers are in place and correctly installed.
3. Make sure that the room temperature is within operating specifications.

806f0a07-2584ffff [ProcessorElementName] is operating in a Degraded State.

Explanation: Processor(s) are being throttled due to thermal or power conditions.

May also be shown as 806f0a072584ffff or 0x806f0a072584ffff

Severity: Warning

Alert Category: Warning - CPU

Serviceable: Yes

CIM Information: **Prefix:** PLAT and **ID:** 0038

SNMP Trap ID: 42

Automatically notify Support: No

User response: Complete the following steps:

1. Check the CMM or FSM event log for any fan- or cooling-related issues or power-related issues..
2. Make sure that the airflow at the front and rear of the chassis is not obstructed and that fillers are in place and correctly installed.
3. Make sure that the room temperature is within operating specifications.

806f0a0c-2001ffff An Over-Temperature Condition has been detected on the [PhysicalMemoryElementName] on Subsystem [MemoryElementName].

Explanation: An over temperature condition for memory has been detected.

May also be shown as 806f0a0c2001ffff or 0x806f0a0c2001ffff

Severity: Error

Alert Category: Critical - Temperature

Serviceable: Yes

CIM Information: **Prefix:** PLAT and **ID:** 0146

SNMP Trap ID: 0

Automatically notify Support: No

User response: Complete the following steps:

1. Check the CMM or FSM event log for any fan or cooling related issues.
2. Make sure that the airflow at the front and rear of the chassis is not obstructed and that fillers are in place and correctly installed.
3. Make sure that the room temperature is within operating specifications.
4. Make sure that the DIMM baffles are in place.
5. If the problem persists and there are no other DIMMs with the same indication, replace the DIMM.

806f0a0c-2002ffff An Over-Temperature Condition has been detected on the [PhysicalMemoryElementName] on Subsystem [MemoryElementName].

Explanation: An over temperature condition for memory has been detected.

May also be shown as 806f0a0c2002ffff or 0x806f0a0c2002ffff

Severity: Error

Alert Category: Critical - Temperature

Serviceable: Yes

CIM Information: Prefix: PLAT and ID: 0146

SNMP Trap ID: 0

Automatically notify Support: No

User response: Complete the following steps:

1. Check the CMM or FSM event log for any fan or cooling related issues.
2. Make sure that the airflow at the front and rear of the chassis is not obstructed and that fillers are in place and correctly installed.
3. Make sure that the room temperature is within operating specifications.
4. Make sure that the DIMM baffles are in place.
5. If the problem persists and there are no other DIMMs with the same indication, replace the DIMM.

806f0a0c-2003ffff An Over-Temperature Condition has been detected on the [PhysicalMemoryElementName] on Subsystem [MemoryElementName].

Explanation: An over temperature condition for memory has been detected.

May also be shown as 806f0a0c2003ffff or 0x806f0a0c2003ffff

Severity: Error

Alert Category: Critical - Temperature

Serviceable: Yes

CIM Information: Prefix: PLAT and ID: 0146

SNMP Trap ID: 0

Automatically notify Support: No

User response: Complete the following steps:

1. Check the CMM or FSM event log for any fan or cooling related issues.
2. Make sure that the airflow at the front and rear of the chassis is not obstructed and that fillers are in place and correctly installed.
3. Make sure that the room temperature is within operating specifications.
4. Make sure that the DIMM baffles are in place.
5. If the problem persists and there are no other DIMMs with the same indication, replace the DIMM.

806f0a0c-2004ffff An Over-Temperature Condition has been detected on the [PhysicalMemoryElementName] on Subsystem [MemoryElementName].

Explanation: An over temperature condition for memory has been detected.

May also be shown as 806f0a0c2004ffff or 0x806f0a0c2004ffff

Severity: Error

Alert Category: Critical - Temperature

Serviceable: Yes

CIM Information: Prefix: PLAT and ID: 0146

806f0a0c-2005ffff • 806f0a0c-2006ffff

SNMP Trap ID: 0

Automatically notify Support: No

User response: Complete the following steps:

1. Check the CMM or FSM event log for any fan or cooling related issues.
2. Make sure that the airflow at the front and rear of the chassis is not obstructed and that fillers are in place and correctly installed.
3. Make sure that the room temperature is within operating specifications.
4. Make sure that the DIMM baffles are in place.
5. If the problem persists and there are no other DIMMs with the same indication, replace the DIMM.

806f0a0c-2005ffff An Over-Temperature Condition has been detected on the [PhysicalMemoryElementName] on Subsystem [MemoryElementName].

Explanation: An over temperature condition for memory has been detected.

May also be shown as 806f0a0c2005ffff or 0x806f0a0c2005ffff

Severity: Error

Alert Category: Critical - Temperature

Serviceable: Yes

CIM Information: Prefix: PLAT and ID: 0146

SNMP Trap ID: 0

Automatically notify Support: No

User response: Complete the following steps:

1. Check the CMM or FSM event log for any fan or cooling related issues.
2. Make sure that the airflow at the front and rear of the chassis is not obstructed and that fillers are in place and correctly installed.
3. Make sure that the room temperature is within operating specifications.
4. Make sure that the DIMM baffles are in place.
5. If the problem persists and there are no other DIMMs with the same indication, replace the DIMM.

806f0a0c-2006ffff An Over-Temperature Condition has been detected on the [PhysicalMemoryElementName] on Subsystem [MemoryElementName].

Explanation: An over temperature condition for memory has been detected.

May also be shown as 806f0a0c2006ffff or 0x806f0a0c2006ffff

Severity: Error

Alert Category: Critical - Temperature

Serviceable: Yes

CIM Information: Prefix: PLAT and ID: 0146

SNMP Trap ID: 0

Automatically notify Support: No

User response: Complete the following steps:

1. Check the CMM or FSM event log for any fan or cooling related issues.
2. Make sure that the airflow at the front and rear of the chassis is not obstructed and that fillers are in place and correctly installed.
3. Make sure that the room temperature is within operating specifications.
4. Make sure that the DIMM baffles are in place.
5. If the problem persists and there are no other DIMMs with the same indication, replace the DIMM.

806f0a0c-2007ffff An Over-Temperature Condition has been detected on the [PhysicalMemoryElementName] on Subsystem [MemoryElementName].

Explanation: An over temperature condition for memory has been detected.

May also be shown as 806f0a0c2007ffff or 0x806f0a0c2007ffff

Severity: Error

Alert Category: Critical - Temperature

Serviceable: Yes

CIM Information: Prefix: PLAT and ID: 0146

SNMP Trap ID: 0

Automatically notify Support: No

User response: Complete the following steps:

1. Check the CMM or FSM event log for any fan or cooling related issues.
2. Make sure that the airflow at the front and rear of the chassis is not obstructed and that fillers are in place and correctly installed.
3. Make sure that the room temperature is within operating specifications.
4. Make sure that the DIMM baffles are in place.
5. If the problem persists and there are no other DIMMs with the same indication, replace the DIMM.

806f0a0c-2008ffff An Over-Temperature Condition has been detected on the [PhysicalMemoryElementName] on Subsystem [MemoryElementName].

Explanation: An over temperature condition for memory has been detected.

May also be shown as 806f0a0c2008ffff or 0x806f0a0c2008ffff

Severity: Error

Alert Category: Critical - Temperature

Serviceable: Yes

CIM Information: Prefix: PLAT and ID: 0146

SNMP Trap ID: 0

Automatically notify Support: No

User response: Complete the following steps:

1. Check the CMM or FSM event log for any fan or cooling related issues.
2. Make sure that the airflow at the front and rear of the chassis is not obstructed and that fillers are in place and correctly installed.
3. Make sure that the room temperature is within operating specifications.
4. Make sure that the DIMM baffles are in place.
5. If the problem persists and there are no other DIMMs with the same indication, replace the DIMM.

806f0a0c-2009ffff An Over-Temperature Condition has been detected on the [PhysicalMemoryElementName] on Subsystem [MemoryElementName].

Explanation: An over temperature condition for memory has been detected.

May also be shown as 806f0a0c2009ffff or 0x806f0a0c2009ffff

Severity: Error

Alert Category: Critical - Temperature

Serviceable: Yes

CIM Information: Prefix: PLAT and ID: 0146

806f0a0c-200affff • 806f0a0c-200bffff

SNMP Trap ID: 0

Automatically notify Support: No

User response: Complete the following steps:

1. Check the CMM or FSM event log for any fan or cooling related issues.
2. Make sure that the airflow at the front and rear of the chassis is not obstructed and that fillers are in place and correctly installed.
3. Make sure that the room temperature is within operating specifications.
4. Make sure that the DIMM baffles are in place.
5. If the problem persists and there are no other DIMMs with the same indication, replace the DIMM.

806f0a0c-200affff An Over-Temperature Condition has been detected on the [PhysicalMemoryElementName] on Subsystem [MemoryElementName].

Explanation: An over temperature condition for memory has been detected.

May also be shown as 806f0a0c200affff or 0x806f0a0c200affff

Severity: Error

Alert Category: Critical - Temperature

Serviceable: Yes

CIM Information: Prefix: PLAT and ID: 0146

SNMP Trap ID: 0

Automatically notify Support: No

User response: Complete the following steps:

1. Check the CMM or FSM event log for any fan or cooling related issues.
2. Make sure that the airflow at the front and rear of the chassis is not obstructed and that fillers are in place and correctly installed.
3. Make sure that the room temperature is within operating specifications.
4. Make sure that the DIMM baffles are in place.
5. If the problem persists and there are no other DIMMs with the same indication, replace the DIMM.

806f0a0c-200bffff An Over-Temperature Condition has been detected on the [PhysicalMemoryElementName] on Subsystem [MemoryElementName].

Explanation: An over temperature condition for memory has been detected.

May also be shown as 806f0a0c200bffff or 0x806f0a0c200bffff

Severity: Error

Alert Category: Critical - Temperature

Serviceable: Yes

CIM Information: Prefix: PLAT and ID: 0146

SNMP Trap ID: 0

Automatically notify Support: No

User response: Complete the following steps:

1. Check the CMM or FSM event log for any fan or cooling related issues.
2. Make sure that the airflow at the front and rear of the chassis is not obstructed and that fillers are in place and correctly installed.
3. Make sure that the room temperature is within operating specifications.
4. Make sure that the DIMM baffles are in place.
5. If the problem persists and there are no other DIMMs with the same indication, replace the DIMM.

806f0a0c-200cffff An Over-Temperature Condition has been detected on the [PhysicalMemoryElementName] on Subsystem [MemoryElementName].

Explanation: An over temperature condition for memory has been detected.

May also be shown as 806f0a0c200cffff or 0x806f0a0c200cffff

Severity: Error

Alert Category: Critical - Temperature

Serviceable: Yes

CIM Information: Prefix: PLAT and ID: 0146

SNMP Trap ID: 0

Automatically notify Support: No

User response: Complete the following steps:

1. Check the CMM or FSM event log for any fan or cooling related issues.
2. Make sure that the airflow at the front and rear of the chassis is not obstructed and that fillers are in place and correctly installed.
3. Make sure that the room temperature is within operating specifications.
4. Make sure that the DIMM baffles are in place.
5. If the problem persists and there are no other DIMMs with the same indication, replace the DIMM.

806f0a0c-200dffff An Over-Temperature Condition has been detected on the [PhysicalMemoryElementName] on Subsystem [MemoryElementName].

Explanation: An over temperature condition for memory has been detected.

May also be shown as 806f0a0c200dffff or 0x806f0a0c200dffff

Severity: Error

Alert Category: Critical - Temperature

Serviceable: Yes

CIM Information: Prefix: PLAT and ID: 0146

SNMP Trap ID: 0

Automatically notify Support: No

User response: Complete the following steps:

1. Check the CMM or FSM event log for any fan or cooling related issues.
2. Make sure that the airflow at the front and rear of the chassis is not obstructed and that fillers are in place and correctly installed.
3. Make sure that the room temperature is within operating specifications.
4. Make sure that the DIMM baffles are in place.
5. If the problem persists and there are no other DIMMs with the same indication, replace the DIMM.

806f0a0c-200effff An Over-Temperature Condition has been detected on the [PhysicalMemoryElementName] on Subsystem [MemoryElementName].

Explanation: An over temperature condition for memory has been detected.

May also be shown as 806f0a0c200effff or 0x806f0a0c200effff

Severity: Error

Alert Category: Critical - Temperature

Serviceable: Yes

CIM Information: Prefix: PLAT and ID: 0146

806f0a0c-200ffff • 806f0a0c-2010ffff

SNMP Trap ID: 0

Automatically notify Support: No

User response: Complete the following steps:

1. Check the CMM or FSM event log for any fan or cooling related issues.
2. Make sure that the airflow at the front and rear of the chassis is not obstructed and that fillers are in place and correctly installed.
3. Make sure that the room temperature is within operating specifications.
4. Make sure that the DIMM baffles are in place.
5. If the problem persists and there are no other DIMMs with the same indication, replace the DIMM.

806f0a0c-200ffff An Over-Temperature Condition has been detected on the [PhysicalMemoryElementName] on Subsystem [MemoryElementName].

Explanation: An over temperature condition for memory has been detected.

May also be shown as 806f0a0c200ffff or 0x806f0a0c200ffff

Severity: Error

Alert Category: Critical - Temperature

Serviceable: Yes

CIM Information: Prefix: PLAT and ID: 0146

SNMP Trap ID: 0

Automatically notify Support: No

User response: Complete the following steps:

1. Check the CMM or FSM event log for any fan or cooling related issues.
2. Make sure that the airflow at the front and rear of the chassis is not obstructed and that fillers are in place and correctly installed.
3. Make sure that the room temperature is within operating specifications.
4. Make sure that the DIMM baffles are in place.
5. If the problem persists and there are no other DIMMs with the same indication, replace the DIMM.

806f0a0c-2010ffff An Over-Temperature Condition has been detected on the [PhysicalMemoryElementName] on Subsystem [MemoryElementName].

Explanation: An over temperature condition for memory has been detected.

May also be shown as 806f0a0c2010ffff or 0x806f0a0c2010ffff

Severity: Error

Alert Category: Critical - Temperature

Serviceable: Yes

CIM Information: Prefix: PLAT and ID: 0146

SNMP Trap ID: 0

Automatically notify Support: No

User response: Complete the following steps:

1. Check the CMM or FSM event log for any fan or cooling related issues.
2. Make sure that the airflow at the front and rear of the chassis is not obstructed and that fillers are in place and correctly installed.
3. Make sure that the room temperature is within operating specifications.
4. Make sure that the DIMM baffles are in place.
5. If the problem persists and there are no other DIMMs with the same indication, replace the DIMM.

806f0a0c-2011ffff An Over-Temperature Condition has been detected on the [PhysicalMemoryElementName] on Subsystem [MemoryElementName].

Explanation: An over temperature condition for memory has been detected.

May also be shown as 806f0a0c2011ffff or 0x806f0a0c2011ffff

Severity: Error

Alert Category: Critical - Temperature

Serviceable: Yes

CIM Information: Prefix: PLAT and ID: 0146

SNMP Trap ID: 0

Automatically notify Support: No

User response: Complete the following steps:

1. Check the CMM or FSM event log for any fan or cooling related issues.
2. Make sure that the airflow at the front and rear of the chassis is not obstructed and that fillers are in place and correctly installed.
3. Make sure that the room temperature is within operating specifications.
4. Make sure that the DIMM baffles are in place.
5. If the problem persists and there are no other DIMMs with the same indication, replace the DIMM.

806f0a0c-2012ffff An Over-Temperature Condition has been detected on the [PhysicalMemoryElementName] on Subsystem [MemoryElementName].

Explanation: An over temperature condition for memory has been detected.

May also be shown as 806f0a0c2012ffff or 0x806f0a0c2012ffff

Severity: Error

Alert Category: Critical - Temperature

Serviceable: Yes

CIM Information: Prefix: PLAT and ID: 0146

SNMP Trap ID: 0

Automatically notify Support: No

User response: Complete the following steps:

1. Check the CMM or FSM event log for any fan or cooling related issues.
2. Make sure that the airflow at the front and rear of the chassis is not obstructed and that fillers are in place and correctly installed.
3. Make sure that the room temperature is within operating specifications.
4. Make sure that the DIMM baffles are in place.
5. If the problem persists and there are no other DIMMs with the same indication, replace the DIMM.

806f0a0c-2013ffff An Over-Temperature Condition has been detected on the [PhysicalMemoryElementName] on Subsystem [MemoryElementName].

Explanation: An over temperature condition for memory has been detected.

May also be shown as 806f0a0c2013ffff or 0x806f0a0c2013ffff

Severity: Error

Alert Category: Critical - Temperature

Serviceable: Yes

CIM Information: Prefix: PLAT and ID: 0146

806f0a0c-2014ffff • 806f0a0c-2015ffff

SNMP Trap ID: 0

Automatically notify Support: No

User response: Complete the following steps:

1. Check the CMM or FSM event log for any fan or cooling related issues.
2. Make sure that the airflow at the front and rear of the chassis is not obstructed and that fillers are in place and correctly installed.
3. Make sure that the room temperature is within operating specifications.
4. Make sure that the DIMM baffles are in place.
5. If the problem persists and there are no other DIMMs with the same indication, replace the DIMM.

806f0a0c-2014ffff An Over-Temperature Condition has been detected on the [PhysicalMemoryElementName] on Subsystem [MemoryElementName].

Explanation: An over temperature condition for memory has been detected.

May also be shown as 806f0a0c2014ffff or 0x806f0a0c2014ffff

Severity: Error

Alert Category: Critical - Temperature

Serviceable: Yes

CIM Information: Prefix: PLAT and ID: 0146

SNMP Trap ID: 0

Automatically notify Support: No

User response: Complete the following steps:

1. Check the CMM or FSM event log for any fan or cooling related issues.
2. Make sure that the airflow at the front and rear of the chassis is not obstructed and that fillers are in place and correctly installed.
3. Make sure that the room temperature is within operating specifications.
4. Make sure that the DIMM baffles are in place.
5. If the problem persists and there are no other DIMMs with the same indication, replace the DIMM.

806f0a0c-2015ffff An Over-Temperature Condition has been detected on the [PhysicalMemoryElementName] on Subsystem [MemoryElementName].

Explanation: An over temperature condition for memory has been detected.

May also be shown as 806f0a0c2015ffff or 0x806f0a0c2015ffff

Severity: Error

Alert Category: Critical - Temperature

Serviceable: Yes

CIM Information: Prefix: PLAT and ID: 0146

SNMP Trap ID: 0

Automatically notify Support: No

User response: Complete the following steps:

1. Check the CMM or FSM event log for any fan or cooling related issues.
2. Make sure that the airflow at the front and rear of the chassis is not obstructed and that fillers are in place and correctly installed.
3. Make sure that the room temperature is within operating specifications.
4. Make sure that the DIMM baffles are in place.
5. If the problem persists and there are no other DIMMs with the same indication, replace the DIMM.

806f0a0c-2016ffff An Over-Temperature Condition has been detected on the [PhysicalMemoryElementName] on Subsystem [MemoryElementName].

Explanation: An over temperature condition for memory has been detected.

May also be shown as 806f0a0c2016ffff or 0x806f0a0c2016ffff

Severity: Error

Alert Category: Critical - Temperature

Serviceable: Yes

CIM Information: Prefix: PLAT and ID: 0146

SNMP Trap ID: 0

Automatically notify Support: No

User response: Complete the following steps:

1. Check the CMM or FSM event log for any fan or cooling related issues.
2. Make sure that the airflow at the front and rear of the chassis is not obstructed and that fillers are in place and correctly installed.
3. Make sure that the room temperature is within operating specifications.
4. Make sure that the DIMM baffles are in place.
5. If the problem persists and there are no other DIMMs with the same indication, replace the DIMM.

806f0a0c-2017ffff An Over-Temperature Condition has been detected on the [PhysicalMemoryElementName] on Subsystem [MemoryElementName].

Explanation: An over temperature condition for memory has been detected.

May also be shown as 806f0a0c2017ffff or 0x806f0a0c2017ffff

Severity: Error

Alert Category: Critical - Temperature

Serviceable: Yes

CIM Information: Prefix: PLAT and ID: 0146

SNMP Trap ID: 0

Automatically notify Support: No

User response: Complete the following steps:

1. Check the CMM or FSM event log for any fan or cooling related issues.
2. Make sure that the airflow at the front and rear of the chassis is not obstructed and that fillers are in place and correctly installed.
3. Make sure that the room temperature is within operating specifications.
4. Make sure that the DIMM baffles are in place.
5. If the problem persists and there are no other DIMMs with the same indication, replace the DIMM.

806f0a0c-2018ffff An Over-Temperature Condition has been detected on the [PhysicalMemoryElementName] on Subsystem [MemoryElementName].

Explanation: An over temperature condition for memory has been detected.

May also be shown as 806f0a0c2018ffff or 0x806f0a0c2018ffff

Severity: Error

Alert Category: Critical - Temperature

Serviceable: Yes

CIM Information: Prefix: PLAT and ID: 0146

806f0a0c-2019ffff • 806f0a0c-201affff

SNMP Trap ID: 0

Automatically notify Support: No

User response: Complete the following steps:

1. Check the CMM or FSM event log for any fan or cooling related issues.
2. Make sure that the airflow at the front and rear of the chassis is not obstructed and that fillers are in place and correctly installed.
3. Make sure that the room temperature is within operating specifications.
4. Make sure that the DIMM baffles are in place.
5. If the problem persists and there are no other DIMMs with the same indication, replace the DIMM.

806f0a0c-2019ffff An Over-Temperature Condition has been detected on the [PhysicalMemoryElementName] on Subsystem [MemoryElementName].

Explanation: An over temperature condition for memory has been detected.

May also be shown as 806f0a0c2019ffff or 0x806f0a0c2019ffff

Severity: Error

Alert Category: Critical - Temperature

Serviceable: Yes

CIM Information: Prefix: PLAT and ID: 0146

SNMP Trap ID: 0

Automatically notify Support: No

User response: Complete the following steps:

1. Check the CMM or FSM event log for any fan or cooling related issues.
2. Make sure that the airflow at the front and rear of the chassis is not obstructed and that fillers are in place and correctly installed.
3. Make sure that the room temperature is within operating specifications.
4. Make sure that the DIMM baffles are in place.
5. If the problem persists and there are no other DIMMs with the same indication, replace the DIMM.

806f0a0c-201affff An Over-Temperature Condition has been detected on the [PhysicalMemoryElementName] on Subsystem [MemoryElementName].

Explanation: An over temperature condition for memory has been detected.

May also be shown as 806f0a0c201affff or 0x806f0a0c201affff

Severity: Error

Alert Category: Critical - Temperature

Serviceable: Yes

CIM Information: Prefix: PLAT and ID: 0146

SNMP Trap ID: 0

Automatically notify Support: No

User response: Complete the following steps:

1. Check the CMM or FSM event log for any fan or cooling related issues.
2. Make sure that the airflow at the front and rear of the chassis is not obstructed and that fillers are in place and correctly installed.
3. Make sure that the room temperature is within operating specifications.
4. Make sure that the DIMM baffles are in place.
5. If the problem persists and there are no other DIMMs with the same indication, replace the DIMM.

806f0a0c-201bffff An Over-Temperature Condition has been detected on the [PhysicalMemoryElementName] on Subsystem [MemoryElementName].

Explanation: An over temperature condition for memory has been detected.

May also be shown as 806f0a0c201bffff or 0x806f0a0c201bffff

Severity: Error

Alert Category: Critical - Temperature

Serviceable: Yes

CIM Information: Prefix: PLAT and ID: 0146

SNMP Trap ID: 0

Automatically notify Support: No

User response: Complete the following steps:

1. Check the CMM or FSM event log for any fan or cooling related issues.
2. Make sure that the airflow at the front and rear of the chassis is not obstructed and that fillers are in place and correctly installed.
3. Make sure that the room temperature is within operating specifications.
4. Make sure that the DIMM baffles are in place.
5. If the problem persists and there are no other DIMMs with the same indication, replace the DIMM.

806f0a0c-201cffff An Over-Temperature Condition has been detected on the [PhysicalMemoryElementName] on Subsystem [MemoryElementName].

Explanation: An over temperature condition for memory has been detected.

May also be shown as 806f0a0c201cffff or 0x806f0a0c201cffff

Severity: Error

Alert Category: Critical - Temperature

Serviceable: Yes

CIM Information: Prefix: PLAT and ID: 0146

SNMP Trap ID: 0

Automatically notify Support: No

User response: Complete the following steps:

1. Check the CMM or FSM event log for any fan or cooling related issues.
2. Make sure that the airflow at the front and rear of the chassis is not obstructed and that fillers are in place and correctly installed.
3. Make sure that the room temperature is within operating specifications.
4. Make sure that the DIMM baffles are in place.
5. If the problem persists and there are no other DIMMs with the same indication, replace the DIMM.

806f0a0c-201dffff An Over-Temperature Condition has been detected on the [PhysicalMemoryElementName] on Subsystem [MemoryElementName].

Explanation: An over temperature condition for memory has been detected.

May also be shown as 806f0a0c201dffff or 0x806f0a0c201dffff

Severity: Error

Alert Category: Critical - Temperature

Serviceable: Yes

CIM Information: Prefix: PLAT and ID: 0146

806f0a0c-201effff • 806f0a0c-201ffff

SNMP Trap ID: 0

Automatically notify Support: No

User response: Complete the following steps:

1. Check the CMM or FSM event log for any fan or cooling related issues.
2. Make sure that the airflow at the front and rear of the chassis is not obstructed and that fillers are in place and correctly installed.
3. Make sure that the room temperature is within operating specifications.
4. Make sure that the DIMM baffles are in place.
5. If the problem persists and there are no other DIMMs with the same indication, replace the DIMM.

806f0a0c-201effff An Over-Temperature Condition has been detected on the [PhysicalMemoryElementName] on Subsystem [MemoryElementName].

Explanation: An over temperature condition for memory has been detected.

May also be shown as 806f0a0c201effff or 0x806f0a0c201effff

Severity: Error

Alert Category: Critical - Temperature

Serviceable: Yes

CIM Information: Prefix: PLAT and ID: 0146

SNMP Trap ID: 0

Automatically notify Support: No

User response: Complete the following steps:

1. Check the CMM or FSM event log for any fan or cooling related issues.
2. Make sure that the airflow at the front and rear of the chassis is not obstructed and that fillers are in place and correctly installed.
3. Make sure that the room temperature is within operating specifications.
4. Make sure that the DIMM baffles are in place.
5. If the problem persists and there are no other DIMMs with the same indication, replace the DIMM.

806f0a0c-201ffff An Over-Temperature Condition has been detected on the [PhysicalMemoryElementName] on Subsystem [MemoryElementName].

Explanation: An over temperature condition for memory has been detected.

May also be shown as 806f0a0c201ffff or 0x806f0a0c201ffff

Severity: Error

Alert Category: Critical - Temperature

Serviceable: Yes

CIM Information: Prefix: PLAT and ID: 0146

SNMP Trap ID: 0

Automatically notify Support: No

User response: Complete the following steps:

1. Check the CMM or FSM event log for any fan or cooling related issues.
2. Make sure that the airflow at the front and rear of the chassis is not obstructed and that fillers are in place and correctly installed.
3. Make sure that the room temperature is within operating specifications.
4. Make sure that the DIMM baffles are in place.
5. If the problem persists and there are no other DIMMs with the same indication, replace the DIMM.

806f0a0c-2020ffff An Over-Temperature Condition has been detected on the [PhysicalMemoryElementName] on Subsystem [MemoryElementName].

Explanation: An over temperature condition for memory has been detected.

May also be shown as 806f0a0c2020ffff or 0x806f0a0c2020ffff

Severity: Error

Alert Category: Critical - Temperature

Serviceable: Yes

CIM Information: Prefix: PLAT and ID: 0146

SNMP Trap ID: 0

Automatically notify Support: No

User response: Complete the following steps:

1. Check the CMM or FSM event log for any fan or cooling related issues.
2. Make sure that the airflow at the front and rear of the chassis is not obstructed and that fillers are in place and correctly installed.
3. Make sure that the room temperature is within operating specifications.
4. Make sure that the DIMM baffles are in place.
5. If the problem persists and there are no other DIMMs with the same indication, replace the DIMM.

806f0a0c-202101ff An Over-Temperature Condition has been detected on the [PhysicalMemoryElementName] on Subsystem [MemoryElementName].

Explanation: An over temperature condition for memory has been detected.

May also be shown as 806f0a0c202101ff or 0x806f0a0c202101ff

Severity: Error

Alert Category: Critical - Temperature

Serviceable: Yes

CIM Information: Prefix: PLAT and ID: 0146

SNMP Trap ID: 0

Automatically notify Support: No

User response: Complete the following steps:

1. Check the CMM or FSM event log for any fan or cooling related issues.
2. Make sure that the airflow at the front and rear of the chassis is not obstructed and that fillers are in place and correctly installed.
3. Make sure that the room temperature is within operating specifications.
4. Make sure that the DIMM baffles are in place.
5. If the problem persists and there are no other DIMMs with the same indication, replace the DIMM.

806f0a0c-2021ffff An Over-Temperature Condition has been detected on the [PhysicalMemoryElementName] on Subsystem [MemoryElementName].

Explanation: An over temperature condition for memory has been detected.

May also be shown as 806f0a0c2021ffff or 0x806f0a0c2021ffff

Severity: Error

Alert Category: Critical - Temperature

Serviceable: Yes

CIM Information: Prefix: PLAT and ID: 0146

806f0a0c-2022ffff • 806f0a0c-2023ffff

SNMP Trap ID: 0

Automatically notify Support: No

User response: Complete the following steps:

1. Check the CMM or FSM event log for any fan or cooling related issues.
2. Make sure that the airflow at the front and rear of the chassis is not obstructed and that fillers are in place and correctly installed.
3. Make sure that the room temperature is within operating specifications.
4. Make sure that the DIMM baffles are in place.
5. If the problem persists and there are no other DIMMs with the same indication, replace the DIMM.

806f0a0c-2022ffff An Over-Temperature Condition has been detected on the [PhysicalMemoryElementName] on Subsystem [MemoryElementName].

Explanation: An over temperature condition for memory has been detected.

May also be shown as 806f0a0c2022ffff or 0x806f0a0c2022ffff

Severity: Error

Alert Category: Critical - Temperature

Serviceable: Yes

CIM Information: Prefix: PLAT and ID: 0146

SNMP Trap ID: 0

Automatically notify Support: No

User response: Complete the following steps:

1. Check the CMM or FSM event log for any fan or cooling related issues.
2. Make sure that the airflow at the front and rear of the chassis is not obstructed and that fillers are in place and correctly installed.
3. Make sure that the room temperature is within operating specifications.
4. Make sure that the DIMM baffles are in place.
5. If the problem persists and there are no other DIMMs with the same indication, replace the DIMM.

806f0a0c-2023ffff An Over-Temperature Condition has been detected on the [PhysicalMemoryElementName] on Subsystem [MemoryElementName].

Explanation: An over temperature condition for memory has been detected.

May also be shown as 806f0a0c2023ffff or 0x806f0a0c2023ffff

Severity: Error

Alert Category: Critical - Temperature

Serviceable: Yes

CIM Information: Prefix: PLAT and ID: 0146

SNMP Trap ID: 0

Automatically notify Support: No

User response: Complete the following steps:

1. Check the CMM or FSM event log for any fan or cooling related issues.
2. Make sure that the airflow at the front and rear of the chassis is not obstructed and that fillers are in place and correctly installed.
3. Make sure that the room temperature is within operating specifications.
4. Make sure that the DIMM baffles are in place.
5. If the problem persists and there are no other DIMMs with the same indication, replace the DIMM.

806f0a0c-2024ffff An Over-Temperature Condition has been detected on the [PhysicalMemoryElementName] on Subsystem [MemoryElementName].

Explanation: An over temperature condition for memory has been detected.

May also be shown as 806f0a0c2024ffff or 0x806f0a0c2024ffff

Severity: Error

Alert Category: Critical - Temperature

Serviceable: Yes

CIM Information: Prefix: PLAT and ID: 0146

SNMP Trap ID: 0

Automatically notify Support: No

User response: Complete the following steps:

1. Check the CMM or FSM event log for any fan or cooling related issues.
2. Make sure that the airflow at the front and rear of the chassis is not obstructed and that fillers are in place and correctly installed.
3. Make sure that the room temperature is within operating specifications.
4. Make sure that the DIMM baffles are in place.
5. If the problem persists and there are no other DIMMs with the same indication, replace the DIMM.

806f0a0c-2025ffff An Over-Temperature Condition has been detected on the [PhysicalMemoryElementName] on Subsystem [MemoryElementName].

Explanation: An over temperature condition for memory has been detected.

May also be shown as 806f0a0c2025ffff or 0x806f0a0c2025ffff

Severity: Error

Alert Category: Critical - Temperature

Serviceable: Yes

CIM Information: Prefix: PLAT and ID: 0146

SNMP Trap ID: 0

Automatically notify Support: No

User response: Complete the following steps:

1. Check the CMM or FSM event log for any fan or cooling related issues.
2. Make sure that the airflow at the front and rear of the chassis is not obstructed and that fillers are in place and correctly installed.
3. Make sure that the room temperature is within operating specifications.
4. Make sure that the DIMM baffles are in place.
5. If the problem persists and there are no other DIMMs with the same indication, replace the DIMM.

806f0a0c-2026ffff An Over-Temperature Condition has been detected on the [PhysicalMemoryElementName] on Subsystem [MemoryElementName].

Explanation: An over temperature condition for memory has been detected.

May also be shown as 806f0a0c2026ffff or 0x806f0a0c2026ffff

Severity: Error

Alert Category: Critical - Temperature

Serviceable: Yes

CIM Information: Prefix: PLAT and ID: 0146

806f0a0c-2027ffff • 806f0a0c-2028ffff

SNMP Trap ID: 0

Automatically notify Support: No

User response: Complete the following steps:

1. Check the CMM or FSM event log for any fan or cooling related issues.
2. Make sure that the airflow at the front and rear of the chassis is not obstructed and that fillers are in place and correctly installed.
3. Make sure that the room temperature is within operating specifications.
4. Make sure that the DIMM baffles are in place.
5. If the problem persists and there are no other DIMMs with the same indication, replace the DIMM.

806f0a0c-2027ffff An Over-Temperature Condition has been detected on the [PhysicalMemoryElementName] on Subsystem [MemoryElementName].

Explanation: An over temperature condition for memory has been detected.

May also be shown as 806f0a0c2027ffff or 0x806f0a0c2027ffff

Severity: Error

Alert Category: Critical - Temperature

Serviceable: Yes

CIM Information: Prefix: PLAT and ID: 0146

SNMP Trap ID: 0

Automatically notify Support: No

User response: Complete the following steps:

1. Check the CMM or FSM event log for any fan or cooling related issues.
2. Make sure that the airflow at the front and rear of the chassis is not obstructed and that fillers are in place and correctly installed.
3. Make sure that the room temperature is within operating specifications.
4. Make sure that the DIMM baffles are in place.
5. If the problem persists and there are no other DIMMs with the same indication, replace the DIMM.

806f0a0c-2028ffff An Over-Temperature Condition has been detected on the [PhysicalMemoryElementName] on Subsystem [MemoryElementName].

Explanation: An over temperature condition for memory has been detected.

May also be shown as 806f0a0c2028ffff or 0x806f0a0c2028ffff

Severity: Error

Alert Category: Critical - Temperature

Serviceable: Yes

CIM Information: Prefix: PLAT and ID: 0146

SNMP Trap ID: 0

Automatically notify Support: No

User response: Complete the following steps:

1. Check the CMM or FSM event log for any fan or cooling related issues.
2. Make sure that the airflow at the front and rear of the chassis is not obstructed and that fillers are in place and correctly installed.
3. Make sure that the room temperature is within operating specifications.
4. Make sure that the DIMM baffles are in place.
5. If the problem persists and there are no other DIMMs with the same indication, replace the DIMM.

806f0a0c-2029ffff An Over-Temperature Condition has been detected on the [PhysicalMemoryElementName] on Subsystem [MemoryElementName].

Explanation: An over temperature condition for memory has been detected.

May also be shown as 806f0a0c2029ffff or 0x806f0a0c2029ffff

Severity: Error

Alert Category: Critical - Temperature

Serviceable: Yes

CIM Information: Prefix: PLAT and ID: 0146

SNMP Trap ID: 0

Automatically notify Support: No

User response: Complete the following steps:

1. Check the CMM or FSM event log for any fan or cooling related issues.
2. Make sure that the airflow at the front and rear of the chassis is not obstructed and that fillers are in place and correctly installed.
3. Make sure that the room temperature is within operating specifications.
4. Make sure that the DIMM baffles are in place.
5. If the problem persists and there are no other DIMMs with the same indication, replace the DIMM.

806f0a0c-202affff An Over-Temperature Condition has been detected on the [PhysicalMemoryElementName] on Subsystem [MemoryElementName].

Explanation: An over temperature condition for memory has been detected.

May also be shown as 806f0a0c202affff or 0x806f0a0c202affff

Severity: Error

Alert Category: Critical - Temperature

Serviceable: Yes

CIM Information: Prefix: PLAT and ID: 0146

SNMP Trap ID: 0

Automatically notify Support: No

User response: Complete the following steps:

1. Check the CMM or FSM event log for any fan or cooling related issues.
2. Make sure that the airflow at the front and rear of the chassis is not obstructed and that fillers are in place and correctly installed.
3. Make sure that the room temperature is within operating specifications.
4. Make sure that the DIMM baffles are in place.
5. If the problem persists and there are no other DIMMs with the same indication, replace the DIMM.

806f0a0c-202bffff An Over-Temperature Condition has been detected on the [PhysicalMemoryElementName] on Subsystem [MemoryElementName].

Explanation: An over temperature condition for memory has been detected.

May also be shown as 806f0a0c202bffff or 0x806f0a0c202bffff

Severity: Error

Alert Category: Critical - Temperature

Serviceable: Yes

CIM Information: Prefix: PLAT and ID: 0146

806f0a0c-202cffff • 806f0a0c-202dffff

SNMP Trap ID: 0

Automatically notify Support: No

User response: Complete the following steps:

1. Check the CMM or FSM event log for any fan or cooling related issues.
2. Make sure that the airflow at the front and rear of the chassis is not obstructed and that fillers are in place and correctly installed.
3. Make sure that the room temperature is within operating specifications.
4. Make sure that the DIMM baffles are in place.
5. If the problem persists and there are no other DIMMs with the same indication, replace the DIMM.

806f0a0c-202cffff An Over-Temperature Condition has been detected on the [PhysicalMemoryElementName] on Subsystem [MemoryElementName].

Explanation: An over temperature condition for memory has been detected.

May also be shown as 806f0a0c202cffff or 0x806f0a0c202cffff

Severity: Error

Alert Category: Critical - Temperature

Serviceable: Yes

CIM Information: Prefix: PLAT and ID: 0146

SNMP Trap ID: 0

Automatically notify Support: No

User response: Complete the following steps:

1. Check the CMM or FSM event log for any fan or cooling related issues.
2. Make sure that the airflow at the front and rear of the chassis is not obstructed and that fillers are in place and correctly installed.
3. Make sure that the room temperature is within operating specifications.
4. Make sure that the DIMM baffles are in place.
5. If the problem persists and there are no other DIMMs with the same indication, replace the DIMM.

806f0a0c-202dffff An Over-Temperature Condition has been detected on the [PhysicalMemoryElementName] on Subsystem [MemoryElementName].

Explanation: An over temperature condition for memory has been detected.

May also be shown as 806f0a0c202dffff or 0x806f0a0c202dffff

Severity: Error

Alert Category: Critical - Temperature

Serviceable: Yes

CIM Information: Prefix: PLAT and ID: 0146

SNMP Trap ID: 0

Automatically notify Support: No

User response: Complete the following steps:

1. Check the CMM or FSM event log for any fan or cooling related issues.
2. Make sure that the airflow at the front and rear of the chassis is not obstructed and that fillers are in place and correctly installed.
3. Make sure that the room temperature is within operating specifications.
4. Make sure that the DIMM baffles are in place.
5. If the problem persists and there are no other DIMMs with the same indication, replace the DIMM.

806f0a0c-202effff An Over-Temperature Condition has been detected on the [PhysicalMemoryElementName] on Subsystem [MemoryElementName].

Explanation: An over temperature condition for memory has been detected.

May also be shown as 806f0a0c202effff or 0x806f0a0c202effff

Severity: Error

Alert Category: Critical - Temperature

Serviceable: Yes

CIM Information: Prefix: PLAT and ID: 0146

SNMP Trap ID: 0

Automatically notify Support: No

User response: Complete the following steps:

1. Check the CMM or FSM event log for any fan or cooling related issues.
2. Make sure that the airflow at the front and rear of the chassis is not obstructed and that fillers are in place and correctly installed.
3. Make sure that the room temperature is within operating specifications.
4. Make sure that the DIMM baffles are in place.
5. If the problem persists and there are no other DIMMs with the same indication, replace the DIMM.

806f0a0c-202fffff An Over-Temperature Condition has been detected on the [PhysicalMemoryElementName] on Subsystem [MemoryElementName].

Explanation: An over temperature condition for memory has been detected.

May also be shown as 806f0a0c202fffff or 0x806f0a0c202fffff

Severity: Error

Alert Category: Critical - Temperature

Serviceable: Yes

CIM Information: Prefix: PLAT and ID: 0146

SNMP Trap ID: 0

Automatically notify Support: No

User response: Complete the following steps:

1. Check the CMM or FSM event log for any fan or cooling related issues.
2. Make sure that the airflow at the front and rear of the chassis is not obstructed and that fillers are in place and correctly installed.
3. Make sure that the room temperature is within operating specifications.
4. Make sure that the DIMM baffles are in place.
5. If the problem persists and there are no other DIMMs with the same indication, replace the DIMM.

806f0a0c-2030ffff An Over-Temperature Condition has been detected on the [PhysicalMemoryElementName] on Subsystem [MemoryElementName].

Explanation: An over temperature condition for memory has been detected.

May also be shown as 806f0a0c2030ffff or 0x806f0a0c2030ffff

Severity: Error

Alert Category: Critical - Temperature

Serviceable: Yes

CIM Information: Prefix: PLAT and ID: 0146

806f0a13-2401ffff • 806f0b13-0701ffff

SNMP Trap ID: 0

Automatically notify Support: No

User response: Complete the following steps:

1. Check the CMM or FSM event log for any fan or cooling related issues.
2. Make sure that the airflow at the front and rear of the chassis is not obstructed and that fillers are in place and correctly installed.
3. Make sure that the room temperature is within operating specifications.
4. Make sure that the DIMM baffles are in place.
5. If the problem persists and there are no other DIMMs with the same indication, replace the DIMM.

806f0a13-2401ffff A Fatal Bus Error has occurred on bus [SensorElementName].

Explanation: IMM has detected a Bus Fatal Error relating to SMBus.

May also be shown as 806f0a132401ffff or 0x806f0a132401ffff

Severity: Error

Alert Category: Critical - Other

Serviceable: Yes

CIM Information: Prefix: PLAT and ID: 0244

SNMP Trap ID: 50

Automatically notify Support: No

User response: This is a UEFI detected event. The UEFI diagnostic code for this event can be found in the logged IMM message text. Please refer to the UEFI diagnostic code in the "UEFI diagnostic code" section of the Information Center for the appropriate user response.

Related Links:

- "Finding the UEFI diagnostic code" on page 648

806f0a13-2582ffff A Fatal Bus Error has occurred on bus [SensorElementName].

Explanation: IMM has detected a Bus Fatal Error relating to PCI.

May also be shown as 806f0a132582ffff or 0x806f0a132582ffff

Severity: Error

Alert Category: Critical - Other

Serviceable: Yes

CIM Information: Prefix: PLAT and ID: 0244

SNMP Trap ID: 50

Automatically notify Support: No

User response: This is a UEFI detected event. The UEFI diagnostic code for this event can be found in the logged IMM message text. Please refer to the UEFI diagnostic code in the "UEFI diagnostic code" section of the Information Center for the appropriate user response.

Related Links:

- "Finding the UEFI diagnostic code" on page 648

806f0b13-0701ffff Bus [SensorElementName] is operating in a degraded state.

Explanation: IMM has detected that the DMI Bus is degraded.

May also be shown as 806f0b130701ffff or 0x806f0b130701ffff

Severity: Warning

Alert Category: Warning - Other

Serviceable: Yes

CIM Information: Prefix: PLAT and ID: 0246

SNMP Trap ID: 60

Automatically notify Support: No

User response: Complete the following steps:

1. AC cycle the machine
2. Remove CPU 1 and inspect the CPU socket for bent pins.
3. Swap CPU 1 and CPU 2. If the error goes away, replace the original CPU 1.
4. If the problem persists, System board may need to be replaced.(Trained service personnel only)

81010202-0701ffff Numeric sensor [NumericSensorElementName] going low (lower critical) has deasserted.

Explanation: A previously low voltage has returned to above its specified threshold (sensor SysBrd 12V, SysBrd 3.3V, or SysBrd 5V).

May also be shown as 810102020701ffff or 0x810102020701ffff

Severity: Info

Alert Category: Critical - Voltage

Serviceable: No

CIM Information: Prefix: PLAT and ID: 0481

SNMP Trap ID: 1

Automatically notify Support: No

User response: Information only; no action is required.

81010202-2801ffff Numeric sensor [NumericSensorElementName] going low (lower critical) has deasserted.

Explanation: The previously low CMOS battery voltage has returned to above its specified threshold.

May also be shown as 810102022801ffff or 0x810102022801ffff

Severity: Info

Alert Category: Critical - Voltage

Serviceable: No

CIM Information: Prefix: PLAT and ID: 0481

SNMP Trap ID: 1

Automatically notify Support: No

User response: Information only; no action is required.

81010701-3701ffff Numeric sensor [NumericSensorElementName] going high (upper non-critical) has deasserted.

Explanation: The previously high inlet temperature 1 has returned to below its specified threshold.

May also be shown as 810107013701ffff or 0x810107013701ffff

Severity: Info

Alert Category: Warning - Temperature

Serviceable: No

CIM Information: Prefix: PLAT and ID: 0491

SNMP Trap ID: 12

81010701-3702ffff • 81010902-0701ffff

Automatically notify Support: No

User response: Information only; no action is required.

81010701-3702ffff Numeric sensor [NumericSensorElementName] going high (upper non-critical) has deasserted.

Explanation: The previously high inlet temperature 2 has returned to below its specified threshold.

May also be shown as 810107013702ffff or 0x810107013702ffff

Severity: Info

Alert Category: Warning - Temperature

Serviceable: No

CIM Information: Prefix: PLAT and ID: 0491

SNMP Trap ID: 12

Automatically notify Support: No

User response: Information only; no action is required.

81010901-3701ffff Numeric sensor [NumericSensorElementName] going high (upper critical) has deasserted.

Explanation: The previously high inlet temperature 1 has returned to below its specified threshold.

May also be shown as 810109013701ffff or 0x810109013701ffff

Severity: Info

Alert Category: Critical - Temperature

Serviceable: No

CIM Information: Prefix: PLAT and ID: 0495

SNMP Trap ID: 0

Automatically notify Support: No

User response: Information only; no action is required.

81010901-3702ffff Numeric sensor [NumericSensorElementName] going high (upper critical) has deasserted.

Explanation: The previously high inlet temperature 2 has returned to below its specified threshold.

May also be shown as 810109013702ffff or 0x810109013702ffff

Severity: Info

Alert Category: Critical - Temperature

Serviceable: No

CIM Information: Prefix: PLAT and ID: 0495

SNMP Trap ID: 0

Automatically notify Support: No

User response: Information only; no action is required.

81010902-0701ffff Numeric sensor [NumericSensorElementName] going high (upper critical) has deasserted.

Explanation: A previously high voltage has returned to below its specified threshold (sensor Planar 12V, Planar 3.3V, or Planar 5V).

May also be shown as 810109020701ffff or 0x810109020701ffff

Severity: Info

Alert Category: Critical - Voltage

Serviceable: No

CIM Information: Prefix: PLAT and ID: 0495

SNMP Trap ID: 1

Automatically notify Support: No

User response: Information only; no action is required.

81010b01-3701ffff Numeric sensor [NumericSensorElementName] going high (upper non-recoverable) has deasserted.

Explanation: The previously high inlet temperature 1 has returned to below its specified threshold.

May also be shown as 81010b013701ffff or 0x81010b013701ffff

Severity: Info

Alert Category: Critical - Temperature

Serviceable: No

CIM Information: Prefix: PLAT and ID: 0499

SNMP Trap ID: 0

Automatically notify Support: No

User response: Information only; no action is required.

81010b01-3702ffff Numeric sensor [NumericSensorElementName] going high (upper non-recoverable) has deasserted.

Explanation: The previously high inlet temperature 2 has returned to below its specified threshold.

May also be shown as 81010b013702ffff or 0x81010b013702ffff

Severity: Info

Alert Category: Critical - Temperature

Serviceable: No

CIM Information: Prefix: PLAT and ID: 0499

SNMP Trap ID: 0

Automatically notify Support: No

User response: Information only; no action is required.

81030006-2101ffff Sensor [SensorElementName] has asserted.

Explanation: Signature verification of one of the Firmware Volumes or Capsules in UEFI BIOS failed.

May also be shown as 810300062101ffff or 0x810300062101ffff

Severity: Info

Alert Category: System - Other

Serviceable: No

CIM Information: Prefix: PLAT and ID: 0508

SNMP Trap ID:

Automatically notify Support: No

User response: Automatic BIOS Recovery (ABR) should cause system to come up from UEFI image in backup bank. Reflash UEFI image in the primary bank. If error does not persist no additional recovery action is required.

8103000f-2101ffff • 8103010d-2b81ffff

8103000f-2101ffff Sensor [SensorElementName] has asserted.

Explanation: IMM Firmware is Corrupted.

May also be shown as 8103000f2101ffff or 0x8103000f2101ffff

Severity: Info

Alert Category: System - Other

Serviceable: No

CIM Information: Prefix: PLAT and ID: 0508

SNMP Trap ID:

Automatically notify Support: No

User response: Check that the primary build level is correct and upgrade primary to latest level.

8103010c-2581ffff Sensor [SensorElementName] has deasserted.

Explanation: IMM has reported a SMI Lane Failover has deasserted.

May also be shown as 8103010c2581ffff or 0x8103010c2581ffff

Severity: Info

Alert Category: System - Other

Serviceable: No

CIM Information: Prefix: PLAT and ID: 0509

SNMP Trap ID:

Automatically notify Support: No

User response: Information only; no action is required.

8103010d-2101ffff Sensor [SensorElementName] has deasserted.

Explanation: An eXFlash DIMM firmware configuration error has deasserted on eXFlash DIMM.

May also be shown as 8103010d2101ffff or 0x8103010d2101ffff

Severity: Info

Alert Category: System - Other

Serviceable: No

CIM Information: Prefix: PLAT and ID: 0509

SNMP Trap ID:

Automatically notify Support: No

User response: Information only; no action is required.

Related Links:

- "Removing a flash DIMM" on page 730
 - "Installing a flash DIMM" on page 730
-

8103010d-2b81ffff Sensor [SensorElementName] has deasserted.

Explanation: An eXFlash DIMM firmware configuration error has deasserted on eXFlash DIMM.

May also be shown as 8103010d2b81ffff or 0x8103010d2b81ffff

Severity: Info

Alert Category: System - Other

Serviceable: No

CIM Information: Prefix: PLAT and ID: 0509

SNMP Trap ID:

Automatically notify Support: No

User response: Information only; no action is required.

Related Links:

- “Removing a flash DIMM” on page 730
- “Installing a flash DIMM” on page 730
- “Removing a DIMM” on page 717
- “Installing a DIMM” on page 719

8103010e-2581ffff Sensor [SensorElementName] has deasserted.

Explanation: A sensor has recovered.

May also be shown as 8103010e2581ffff or 0x8103010e2581ffff

Severity: Info

Alert Category: System - Other

Serviceable: No

CIM Information: Prefix: PLAT and ID: 0509

SNMP Trap ID:

Automatically notify Support: No

User response: Information only; no action is required.

81030112-0601ffff Sensor [SensorElementName] has deasserted.

Explanation: IMM has exited a system maintenance mode (SMM Mode, SMM Monitor) where the current power state is important.

May also be shown as 810301120601ffff or 0x810301120601ffff

Severity: Info

Alert Category: System - Other

Serviceable: No

CIM Information: Prefix: PLAT and ID: 0509

SNMP Trap ID:

Automatically notify Support: No

User response: Information only; no action required.

8105010d-2b81ffff Sensor [SensorElementName] has indicated limit no longer exceeded.

Explanation: A Sensor limit is no longer exceeded.

May also be shown as 8105010d2b81ffff or 0x8105010d2b81ffff

Severity: Info

Alert Category: System - Other

Serviceable: No

CIM Information: Prefix: PLAT and ID: 0513

SNMP Trap ID:

81070101-030101ff • 81070101-0302ffff

Automatically notify Support: No

User response: Information only; no action is required.

81070101-030101ff Sensor [SensorElementName] has deasserted the transition from normal to non-critical state.

Explanation: The previously high microprocessor 1 temperature has returned to below its specified threshold.

May also be shown as 81070101030101ff or 0x81070101030101ff

Severity: Info

Alert Category: Warning - Temperature

Serviceable: No

CIM Information: Prefix: PLAT and **ID:** 0521

SNMP Trap ID: 12

Automatically notify Support: No

User response: Information only; no action is required.

81070101-0301ffff Sensor [SensorElementName] Overtemp has deasserted the transition from normal to non-critical state.

Explanation: The previously high microprocessor 1 temperature has returned to below its specified threshold.

May also be shown as 810701010301ffff or 0x810701010301ffff

Severity: Info

Alert Category: Warning - Temperature

Serviceable: No

CIM Information: Prefix: PLAT and **ID:** 0521

SNMP Trap ID: 12

Automatically notify Support: No

User response: Information only; no action is required.

81070101-030201ff Sensor [SensorElementName] has deasserted the transition from normal to non-critical state.

Explanation: The previously high microprocessor 2 temperature has returned to below its specified threshold.

May also be shown as 81070101030201ff or 0x81070101030201ff

Severity: Info

Alert Category: Warning - Temperature

Serviceable: No

CIM Information: Prefix: PLAT and **ID:** 0521

SNMP Trap ID: 12

Automatically notify Support: No

User response: Information only; no action is required.

81070101-0302ffff Sensor [SensorElementName] Overtemp has deasserted the transition from normal to non-critical state.

Explanation: The previously high microprocessor 2 temperature has returned to below its specified threshold.

May also be shown as 810701010302ffff or 0x810701010302ffff

Severity: Info

Alert Category: Warning - Temperature

Serviceable: No

CIM Information: Prefix: PLAT and ID: 0521

SNMP Trap ID: 12

Automatically notify Support: No

User response: Information only; no action is required.

81070101-0481ffff Sensor [SensorElementName] has deasserted the transition from normal to non-critical state.

Explanation: IMM has detected that the Drive temperature has returned to normal.

May also be shown as 810701010481ffff or 0x810701010481ffff

Severity: Info

Alert Category: Warning - Temperature

Serviceable: No

CIM Information: Prefix: PLAT and ID: 0521

SNMP Trap ID: 12

Automatically notify Support: No

User response: Information only; no action is required.

81070101-2c01ffff Sensor [SensorElementName] has deasserted the transition from normal to non-critical state.

Explanation: The previously high I/O Expansion card temperature has returned to below its specified threshold.

May also be shown as 810701012c01ffff or 0x810701012c01ffff

Severity: Info

Alert Category: Warning - Temperature

Serviceable: No

CIM Information: Prefix: PLAT and ID: 0521

SNMP Trap ID: 12

Automatically notify Support: No

User response: Information only; no action is required.

81070101-2c02ffff Sensor [SensorElementName] has deasserted the transition from normal to non-critical state.

Explanation: The previously high I/O Expansion card temperature has returned to below its specified threshold.

May also be shown as 810701012c02ffff or 0x810701012c02ffff

Severity: Info

Alert Category: Warning - Temperature

Serviceable: No

CIM Information: Prefix: PLAT and ID: 0521

SNMP Trap ID: 12

Automatically notify Support: No

User response: Information only; no action is required.

81070101-2c03ffff • 8107010d-2582ffff

81070101-2c03ffff Sensor [SensorElementName] has deasserted the transition from normal to non-critical state.

Explanation: The previously high I/O Expansion card temperature has returned to below its specified threshold.

May also be shown as 810701012c03ffff or 0x810701012c03ffff

Severity: Info

Alert Category: Warning - Temperature

Serviceable: No

CIM Information: Prefix: PLAT and ID: 0521

SNMP Trap ID: 12

Automatically notify Support: No

User response: Information only; no action is required.

81070101-2c04ffff Sensor [SensorElementName] has deasserted the transition from normal to non-critical state.

Explanation: The previously high I/O Expansion card temperature has returned to below its specified threshold.

May also be shown as 810701012c04ffff or 0x810701012c04ffff

Severity: Info

Alert Category: Warning - Temperature

Serviceable: No

CIM Information: Prefix: PLAT and ID: 0521

SNMP Trap ID: 12

Automatically notify Support: No

User response: Information only; no action is required.

81070101-2d01ffff Sensor [SensorElementName] has deasserted the transition from normal to non-critical state.

Explanation: IMM has detected that the PCH temperature has returned to a normal range.

May also be shown as 810701012d01ffff or 0x810701012d01ffff

Severity: Info

Alert Category: Warning - Temperature

Serviceable: No

CIM Information: Prefix: PLAT and ID: 0521

SNMP Trap ID: 12

Automatically notify Support: No

User response: Information only; no action is required.

8107010d-2582ffff Sensor [SensorElementName] has deasserted the transition from normal to non-critical state.

Explanation: This message is for the use case when an implementation has detected that a Sensor has deasserted a transition to non-critical from normal.

May also be shown as 8107010d2582ffff or 0x8107010d2582ffff

Severity: Info

Alert Category: Warning - Other

Serviceable: No

CIM Information: Prefix: PLAT and ID: 0521

SNMP Trap ID: 60

Automatically notify Support: No

User response: RAID Vol State :

8107010d-2b81ffff Sensor [SensorElementName] has deasserted the transition from normal to non-critical state.

Explanation: The IMM has detected that the Sensor deasserted.

May also be shown as 8107010d2b81ffff or 0x8107010d2b81ffff

Severity: Info

Alert Category: Warning - Other

Serviceable: No

CIM Information: Prefix: PLAT and ID: 0521

SNMP Trap ID: 60

Automatically notify Support: No

User response: Information only; no action is required.

8107010d-3030ffff Sensor [SensorElementName] has deasserted the transition from normal to non-critical state.

Explanation: This message is for the use case when an implementation has detected that a Sensor has deasserted a transition to non-critical from normal.

May also be shown as 8107010d3030ffff or 0x8107010d3030ffff

Severity: Info

Alert Category: Warning - Other

Serviceable: No

CIM Information: Prefix: PLAT and ID: 0521

SNMP Trap ID: 60

Automatically notify Support: No

User response: ROMB Volume :

8107010f-2201ffff Sensor [SensorElementName] has deasserted the transition from normal to non-critical state.

Explanation: The GPT (GUID Partition Table) in the disk LUN (Logical Unit Number) has returned to normal.

May also be shown as 8107010f2201ffff or 0x8107010f2201ffff

Severity: Info

Alert Category: Warning - Other

Serviceable: No

CIM Information: Prefix: PLAT and ID: 0521

SNMP Trap ID: 60

Automatically notify Support: No

User response: Information only; no action is required.

8107010f-2582ffff Sensor [SensorElementName] has deasserted the transition from normal to non-critical state.

Explanation: The prior condition of less than optimal I/O resource configuration has been cleared.

May also be shown as 8107010f2582ffff or 0x8107010f2582ffff

81070114-2201ffff • 81070202-0701ffff

Severity: Info

Alert Category: Warning - Other

Serviceable: No

CIM Information: **Prefix:** PLAT and **ID:** 0521

SNMP Trap ID: 60

Automatically notify Support: No

User response: Information only; no action is required.

81070114-2201ffff Sensor [SensorElementName] has deasserted the transition from normal to non-critical state.

Explanation: The TPM Lock has returned to normal.

May also be shown as 810701142201ffff or 0x810701142201ffff

Severity: Info

Alert Category: Warning - Other

Serviceable: No

CIM Information: **Prefix:** PLAT and **ID:** 0521

SNMP Trap ID: 60

Automatically notify Support: No

User response: Information only; no action required.

81070201-0481ffff Sensor [SensorElementName] has transitioned to a less severe state from critical.

Explanation: IMM has detected that the Drive temperature has returned to normal.

May also be shown as 810702010481ffff or 0x810702010481ffff

Severity: Info

Alert Category: Critical - Temperature

Serviceable: No

CIM Information: **Prefix:** PLAT and **ID:** 0523

SNMP Trap ID: 0

Automatically notify Support: No

User response: Information only; no action is required.

81070202-0701ffff Sensor [SensorElementName] has transitioned to a less severe state from critical.

Explanation: The Planar Fault sensor no longer detects a problem with the system board.

May also be shown as 810702020701ffff or 0x810702020701ffff

Severity: Info

Alert Category: Critical - Voltage

Serviceable: No

CIM Information: **Prefix:** PLAT and **ID:** 0523

SNMP Trap ID: 1

Automatically notify Support: No

User response: Information only; no action is required.

8107020c-2581ffff Sensor [SensorElementName] has transitioned to a less severe state from critical.

Explanation: IMM has reported a SMI Lane Failed has deasserted.

May also be shown as 8107020c2581ffff or 0x8107020c2581ffff

Severity: Info

Alert Category: Critical - Other

Serviceable: No

CIM Information: Prefix: PLAT and ID: 0523

SNMP Trap ID: 50

Automatically notify Support: No

User response: Information only; no action is required.

8107020d-2582ffff Sensor [SensorElementName] has transitioned to a less severe state from critical.

Explanation: This message is for the use case when an implementation has detected a Sensor transition to less severe from critical.

May also be shown as 8107020d2582ffff or 0x8107020d2582ffff

Severity: Info

Alert Category: Critical - Other

Serviceable: No

CIM Information: Prefix: PLAT and ID: 0523

SNMP Trap ID: 50

Automatically notify Support: No

User response: RAID Vol State :

8107020d-3030ffff Sensor [SensorElementName] has transitioned to a less severe state from critical.

Explanation: This message is for the use case when an implementation has detected a Sensor transition to less severe from critical.

May also be shown as 8107020d3030ffff or 0x8107020d3030ffff

Severity: Info

Alert Category: Critical - Other

Serviceable: No

CIM Information: Prefix: PLAT and ID: 0523

SNMP Trap ID: 50

Automatically notify Support: No

User response: ROMB Volume :

8107020f-2201ffff Sensor [SensorElementName] has transitioned to a less severe state from critical.

Explanation: The IMM has reported a Drive Key Fault or TXT ACM Module fault has deasserted

May also be shown as 8107020f2201ffff or 0x8107020f2201ffff

Severity: Info

Alert Category: Critical - Other

Serviceable: No

8107020f-2582ffff • 81070217-2c02ffff

CIM Information: Prefix: PLAT and ID: 0523

SNMP Trap ID: 50

Automatically notify Support: No

User response: Information only; no action is required.

8107020f-2582ffff Sensor [SensorElementName] has transitioned to a less severe state from critical.

Explanation: The prior I/O resource conflict has been resolved.

May also be shown as 8107020f2582ffff or 0x8107020f2582ffff

Severity: Info

Alert Category: Critical - Other

Serviceable: No

CIM Information: Prefix: PLAT and ID: 0523

SNMP Trap ID: 50

Automatically notify Support: No

User response: Information only; no action is required.

81070217-2c01ffff Sensor [SensorElementName] has transitioned to a less severe state from critical.

Explanation: The I/O Expansion card is no longer in a fault condition.

May also be shown as 810702172c01ffff or 0x810702172c01ffff

Severity: Info

Alert Category: Critical - Other

Serviceable: No

CIM Information: Prefix: PLAT and ID: 0523

SNMP Trap ID: 50

Automatically notify Support: No

User response: Information only; no action is required.

81070217-2c02ffff Sensor [SensorElementName] has transitioned to a less severe state from critical.

Explanation: The I/O Expansion card is no longer in a fault condition.

May also be shown as 810702172c02ffff or 0x810702172c02ffff

Severity: Info

Alert Category: Critical - Other

Serviceable: No

CIM Information: Prefix: PLAT and ID: 0523

SNMP Trap ID: 50

Automatically notify Support: No

User response: Information only; no action is required.

81070217-2c03ffff Sensor [SensorElementName] has transitioned to a less severe state from critical.

Explanation: The I/O Expansion card is no longer in a fault condition.

May also be shown as 810702172c03ffff or 0x810702172c03ffff

Severity: Info

Alert Category: Critical - Other

Serviceable: No

CIM Information: Prefix: PLAT and ID: 0523

SNMP Trap ID: 50

Automatically notify Support: No

User response: Information only; no action is required.

81070217-2c04ffff Sensor [SensorElementName] has transitioned to a less severe state from critical.

Explanation: The I/O Expansion card is no longer in a fault condition.

May also be shown as 810702172c04ffff or 0x810702172c04ffff

Severity: Info

Alert Category: Critical - Other

Serviceable: No

CIM Information: Prefix: PLAT and ID: 0523

SNMP Trap ID: 50

Automatically notify Support: No

User response: Information only; no action is required.

81070219-0701ffff Sensor [SensorElementName] has transitioned to a less severe state from critical.

Explanation: The system board critical fault has cleared.

May also be shown as 810702190701ffff or 0x810702190701ffff

Severity: Info

Alert Category: Critical - Other

Serviceable: No

CIM Information: Prefix: PLAT and ID: 0523

SNMP Trap ID: 50

Automatically notify Support: No

User response: Information only; no action is required.

8107021b-0301ffff Sensor [SensorElementName] has transitioned to a less severe state from critical.

Explanation: IMM has detected that CPU 1 has recovered from a QPI Link Error.

May also be shown as 8107021b0301ffff or 0x8107021b0301ffff

Severity: Info

Alert Category: Critical - Other

Serviceable: No

CIM Information: Prefix: PLAT and ID: 0523

8107021b-0302ffff • 81070301-0301ffff

SNMP Trap ID: 50

Automatically notify Support: No

User response: Information only; no action is required.

8107021b-0302ffff Sensor [SensorElementName] has transitioned to a less severe state from critical.

Explanation: IMM has detected that CPU 2 has recovered from a QPI Link Error.

May also be shown as 8107021b0302ffff or 0x8107021b0302ffff

Severity: Info

Alert Category: Critical - Other

Serviceable: No

CIM Information: Prefix: PLAT and ID: 0523

SNMP Trap ID: 50

Automatically notify Support: No

User response: Information only; no action is required.

81070221-1f09ffff Sensor [SensorElementName] has transitioned to a less severe state from critical.

Explanation: IMM has detected that CPU 1 has recovered from a Ext QPI Link Error.

May also be shown as 810702211f09ffff or 0x810702211f09ffff

Severity: Info

Alert Category: Critical - Other

Serviceable: No

CIM Information: Prefix: PLAT and ID: 0523

SNMP Trap ID: 50

Automatically notify Support: No

User response: Information only; no action is required.

81070221-1f0affff Sensor [SensorElementName] has transitioned to a less severe state from critical.

Explanation: IMM has detected that CPU 2 has recovered from a Ext QPI Link Error.

May also be shown as 810702211f0affff or 0x810702211f0affff

Severity: Info

Alert Category: Critical - Other

Serviceable: No

CIM Information: Prefix: PLAT and ID: 0523

SNMP Trap ID: 50

Automatically notify Support: No

User response: Information only; no action is required.

81070301-0301ffff Sensor [SensorElementName] has deasserted the transition to non-recoverable from a less severe state.

Explanation: The previously high microprocessor 1 temperature has returned to below its specified threshold.

May also be shown as 810703010301ffff or 0x810703010301ffff

Severity: Info

Alert Category: Critical - Temperature

Serviceable: No

CIM Information: Prefix: PLAT and ID: 0525

SNMP Trap ID: 0

Automatically notify Support: No

User response: Information only; no action is required.

81070301-0302ffff Sensor [SensorElementName] has deasserted the transition to non-recoverable from a less severe state.

Explanation: The previously high microprocessor 2 temperature has returned to below its specified threshold.

May also be shown as 810703010302ffff or 0x810703010302ffff

Severity: Info

Alert Category: Critical - Temperature

Serviceable: No

CIM Information: Prefix: PLAT and ID: 0525

SNMP Trap ID: 0

Automatically notify Support: No

User response: Information only; no action is required.

81070301-0481ffff Sensor [SensorElementName] has deasserted the transition to non-recoverable from a less severe state.

Explanation: IMM has detected that the Drive temperature has returned to normal.

May also be shown as 810703010481ffff or 0x810703010481ffff

Severity: Info

Alert Category: Critical - Temperature

Serviceable: No

CIM Information: Prefix: PLAT and ID: 0525

SNMP Trap ID: 0

Automatically notify Support: No

User response: Information only; no action is required.

81070301-2c01ffff Sensor [SensorElementName] has deasserted the transition to non-recoverable from a less severe state.

Explanation: The previously high I/O Expansion card temperature has returned below its specified threshold.

May also be shown as 810703012c01ffff or 0x810703012c01ffff

Severity: Info

Alert Category: Critical - Temperature

Serviceable: No

CIM Information: Prefix: PLAT and ID: 0525

SNMP Trap ID: 0

Automatically notify Support: No

81070301-2c02ffff • 81070301-2d01ffff

User response: Information only; no action is required.

81070301-2c02ffff Sensor [SensorElementName] has deasserted the transition to non-recoverable from a less severe state.

Explanation: The previously high I/O Expansion card temperature has returned below its specified threshold.

May also be shown as 810703012c02ffff or 0x810703012c02ffff

Severity: Info

Alert Category: Critical - Temperature

Serviceable: No

CIM Information: Prefix: PLAT and ID: 0525

SNMP Trap ID: 0

Automatically notify Support: No

User response: Information only; no action is required.

81070301-2c03ffff Sensor [SensorElementName] has deasserted the transition to non-recoverable from a less severe state.

Explanation: The previously high I/O Expansion card temperature has returned below its specified threshold.

May also be shown as 810703012c03ffff or 0x810703012c03ffff

Severity: Info

Alert Category: Critical - Temperature

Serviceable: No

CIM Information: Prefix: PLAT and ID: 0525

SNMP Trap ID: 0

Automatically notify Support: No

User response: Information only; no action is required.

81070301-2c04ffff Sensor [SensorElementName] has deasserted the transition to non-recoverable from a less severe state.

Explanation: The previously high I/O Expansion card temperature has returned below its specified threshold.

May also be shown as 810703012c04ffff or 0x810703012c04ffff

Severity: Info

Alert Category: Critical - Temperature

Serviceable: No

CIM Information: Prefix: PLAT and ID: 0525

SNMP Trap ID: 0

Automatically notify Support: No

User response: Information only; no action is required.

81070301-2d01ffff Sensor [SensorElementName] has deasserted the transition to non-recoverable from a less severe state.

Explanation: The PCH temperature has returned to below its specified threshold.

May also be shown as 810703012d01ffff or 0x810703012d01ffff

Severity: Info

Alert Category: Critical - Temperature

Serviceable: No

CIM Information: Prefix: PLAT and ID: 0525

SNMP Trap ID: 0

Automatically notify Support: No

User response: Information only; no action is required.

8107030d-2582ffff Sensor [SensorElementName] has deasserted the transition to non-recoverable from a less severe state.

Explanation: This message is for the use case when an implementation has detected that the Sensor transition to non-recoverable from less severe has deasserted.

May also be shown as 8107030d2582ffff or 0x8107030d2582ffff

Severity: Info

Alert Category: Critical - Other

Serviceable: No

CIM Information: Prefix: PLAT and ID: 0525

SNMP Trap ID: 50

Automatically notify Support: No

User response: RAID Vol State :

8107030d-2b81ffff Sensor [SensorElementName] has deasserted the transition to non-recoverable from a less severe state.

Explanation: This message is for the use case when an implementation has detected that the Sensor transition to non-recoverable from less severe has deasserted.

May also be shown as 8107030d2b81ffff or 0x8107030d2b81ffff

Severity: Info

Alert Category: Critical - Other

Serviceable: No

CIM Information: Prefix: PLAT and ID: 0525

SNMP Trap ID: 50

Automatically notify Support: No

User response: Information only; no action is required.

8107030d-3030ffff Sensor [SensorElementName] has deasserted the transition to non-recoverable from a less severe state.

Explanation: This message is for the use case when an implementation has detected that the Sensor transition to non-recoverable from less severe has deasserted.

May also be shown as 8107030d3030ffff or 0x8107030d3030ffff

Severity: Info

Alert Category: Critical - Other

Serviceable: No

CIM Information: Prefix: PLAT and ID: 0525

SNMP Trap ID: 50

81070601-2c01ffff • 81070601-2c04ffff

Automatically notify Support: No

User response: ROMB Volume :

81070601-2c01ffff Sensor [SensorElementName] has deasserted the transition to non-recoverable.

Explanation: The previously high I/O Expansion card temperature has returned below its specified threshold.

May also be shown as 810706012c01ffff or 0x810706012c01ffff

Severity: Info

Alert Category: Critical - Temperature

Serviceable: No

CIM Information: Prefix: PLAT and ID: 0531

SNMP Trap ID: 0

Automatically notify Support: No

User response: Information only; no action is required.

81070601-2c02ffff Sensor [SensorElementName] has deasserted the transition to non-recoverable.

Explanation: The previously high I/O Expansion card temperature has returned below its specified threshold.

May also be shown as 810706012c02ffff or 0x810706012c02ffff

Severity: Info

Alert Category: Critical - Temperature

Serviceable: No

CIM Information: Prefix: PLAT and ID: 0531

SNMP Trap ID: 0

Automatically notify Support: No

User response: Information only; no action is required.

81070601-2c03ffff Sensor [SensorElementName] has deasserted the transition to non-recoverable.

Explanation: The previously high I/O Expansion card temperature has returned below its specified threshold.

May also be shown as 810706012c03ffff or 0x810706012c03ffff

Severity: Info

Alert Category: Critical - Temperature

Serviceable: No

CIM Information: Prefix: PLAT and ID: 0531

SNMP Trap ID: 0

Automatically notify Support: No

User response: Information only; no action is required.

81070601-2c04ffff Sensor [SensorElementName] has deasserted the transition to non-recoverable.

Explanation: The previously high I/O Expansion card temperature has returned below its specified threshold.

May also be shown as 810706012c04ffff or 0x810706012c04ffff

Severity: Info

Alert Category: Critical - Temperature

Serviceable: No

CIM Information: Prefix: PLAT and ID: 0531

SNMP Trap ID: 0

Automatically notify Support: No

User response: Information only; no action is required.

8107060f-2201ffff Sensor [SensorElementName] has deasserted the transition to non-recoverable.

Explanation: BOFM Config Sensor has transitioned to non-recoverable has deasserted.

May also be shown as 8107060f2201ffff or 0x8107060f2201ffff

Severity: Info

Alert Category: Critical - Other

Serviceable: No

CIM Information: Prefix: PLAT and ID: 0531

SNMP Trap ID: 50

Automatically notify Support: No

User response: Information only; no user action required.

81070617-2c01ffff Sensor [SensorElementName] has deasserted the transition to non-recoverable.

Explanation: The I/O expansion adapter in I/O expansion connector 1 no longer reports a non-recoverable condition.

May also be shown as 810706172c01ffff or 0x810706172c01ffff

Severity: Info

Alert Category: Critical - Other

Serviceable: No

CIM Information: Prefix: PLAT and ID: 0531

SNMP Trap ID: 50

Automatically notify Support: No

User response: Information only; no action is required.

81070617-2c02ffff Sensor [SensorElementName] has deasserted the transition to non-recoverable.

Explanation: The I/O expansion adapter in I/O expansion connector 2 no longer reports a non-recoverable condition.

May also be shown as 810706172c02ffff or 0x810706172c02ffff

Severity: Info

Alert Category: Critical - Other

Serviceable: No

CIM Information: Prefix: PLAT and ID: 0531

SNMP Trap ID: 50

Automatically notify Support: No

User response: Information only; no action is required.

81070617-2c03ffff Sensor [SensorElementName] has deasserted the transition to non-recoverable.

Explanation: The I/O expansion adapter in I/O expansion connector 3 no longer reports a non-recoverable condition.

May also be shown as 810706172c03ffff or 0x810706172c03ffff

Severity: Info

Alert Category: Critical - Other

Serviceable: No

CIM Information: Prefix: PLAT and ID: 0531

SNMP Trap ID: 50

Automatically notify Support: No

User response: Information only; no action is required.

81070617-2c04ffff Sensor [SensorElementName] has deasserted the transition to non-recoverable.

Explanation: The I/O expansion adapter in I/O expansion connector 4 no longer reports a non-recoverable condition.

May also be shown as 810706172c04ffff or 0x810706172c04ffff

Severity: Info

Alert Category: Critical - Other

Serviceable: No

CIM Information: Prefix: PLAT and ID: 0531

SNMP Trap ID: 50

Automatically notify Support: No

User response: Information only; no action is required.

81090112-2101ffff Device [LogicalDeviceElementName] has been disabled.

Explanation: An account with IPMI / SNMP access has been disabled.

May also be shown as 810901122101ffff or 0x810901122101ffff

Severity: Info

Alert Category: System - Other

Serviceable: No

CIM Information: Prefix: PLAT and ID: 0539

SNMP Trap ID:

Automatically notify Support: No

User response: Information only; no action is required.

810b010c-2581ffff Redundancy Lost for [RedundancySetElementName] has deasserted.

Explanation: Redundancy has been recovered.

May also be shown as 810b010c2581ffff or 0x810b010c2581ffff

Severity: Info

Alert Category: Critical - Memory

Serviceable: No

CIM Information: Prefix: PLAT and ID: 0803

SNMP Trap ID: 41

Automatically notify Support: No

User response: Information only; no action is required.

810b030c-2581ffff Non-redundant:Sufficient Resources from Redundancy Degraded or Fully Redundant for [RedundancySetElementName] has deasserted.

Explanation: Memory component group (Backup Memory) has regained its redundancy.

May also be shown as 810b030c2581ffff or 0x810b030c2581ffff

Severity: Info

Alert Category: Warning - Memory

Serviceable: No

CIM Information: Prefix: PLAT and ID: 0807

SNMP Trap ID: 43

Automatically notify Support: No

User response: Information only; no action is required.

810b050c-2581ffff Non-redundant:Insufficient Resources for [RedundancySetElementName] has deasserted.

Explanation: A Redundancy Set has transitioned from Non-redundant:Insufficient Resources.

May also be shown as 810b050c2581ffff or 0x810b050c2581ffff

Severity: Info

Alert Category: Critical - Memory

Serviceable: No

CIM Information: Prefix: PLAT and ID: 0811

SNMP Trap ID: 41

Automatically notify Support: No

User response: Information only; no action is required.

816f0007-0301ffff [ProcessorElementName] has Recovered from IERR.

Explanation: A processor has recovered - IERR Condition.

May also be shown as 816f00070301ffff or 0x816f00070301ffff

Severity: Info

Alert Category: Critical - CPU

Serviceable: No

CIM Information: Prefix: PLAT and ID: 0043

SNMP Trap ID: 40

Automatically notify Support: No

User response: Information only; no action is required.

816f0007-0302ffff [ProcessorElementName] has Recovered from IERR.

Explanation: A processor has recovered - IERR Condition.

May also be shown as 816f00070302ffff or 0x816f00070302ffff

Severity: Info

Alert Category: Critical - CPU

Serviceable: No

CIM Information: Prefix: PLAT and ID: 0043

SNMP Trap ID: 40

Automatically notify Support: No

User response: Information only; no action is required.

816f0009-0701ffff [PowerSupplyElementName] has been turned on.

Explanation: IMM has detected that the system power has been turned on.

May also be shown as 816f00090701ffff or 0x816f00090701ffff

Severity: Info

Alert Category: System - Power On

Serviceable: No

CIM Information: Prefix: PLAT and ID: 0107

SNMP Trap ID: 24

Automatically notify Support: No

User response: Information only; no action is required.

816f000d-0400ffff The [StorageVolumeElementName] has been removed from unit
[PhysicalPackageElementName].

Explanation: Presence of drive 0 is no longer detected. If hard drive is absent from drive bay a filler is required.

May also be shown as 816f000d0400ffff or 0x816f000d0400ffff

Severity: Info

Alert Category: Critical - Hard Disk drive

Serviceable: No

CIM Information: Prefix: PLAT and ID: 0163

SNMP Trap ID: 5

Automatically notify Support: No

User response:

- If drive was intentionally removed, no action required.
 - Make sure that the drive properly seated.
 - If drive is properly seated, replace the drive.
-

816f000d-0401ffff The [StorageVolumeElementName] has been removed from unit
[PhysicalPackageElementName].

Explanation: Presence of drive 1 is no longer detected. If hard drive is absent from drive bay a filler is required.

May also be shown as 816f000d0401ffff or 0x816f000d0401ffff

Severity: Info

Alert Category: Critical - Hard Disk drive

Serviceable: No

CIM Information: Prefix: PLAT and ID: 0163

SNMP Trap ID: 5

Automatically notify Support: No

User response:

- If drive was intentionally removed, no action required.
- Make sure that the drive properly seated.
- If drive is properly seated, replace the drive.

816f000d-0402ffff The [StorageVolumeElementName] has been removed from unit [PhysicalPackageElementName].

Explanation: Presence of drive 2 is no longer detected. If hard drive is absent from drive bay a filler is required.

May also be shown as 816f000d0402ffff or 0x816f000d0402ffff

Severity: Info

Alert Category: Critical - Hard Disk drive

Serviceable: No

CIM Information: Prefix: PLAT and ID: 0163

SNMP Trap ID: 5

Automatically notify Support: No

User response:

- If drive was intentionally removed, no action required.
- Make sure that the drive properly seated.
- If drive is properly seated, replace the drive.

816f000d-0403ffff The [StorageVolumeElementName] has been removed from unit [PhysicalPackageElementName].

Explanation: Presence of drive 3 is no longer detected. If hard drive is absent from drive bay a filler is required.

May also be shown as 816f000d0403ffff or 0x816f000d0403ffff

Severity: Info

Alert Category: Critical - Hard Disk drive

Serviceable: No

CIM Information: Prefix: PLAT and ID: 0163

SNMP Trap ID: 5

Automatically notify Support: No

User response:

- If drive was intentionally removed, no action required.
- Make sure that the drive properly seated.
- If drive is properly seated, replace the drive.

816f000d-0404ffff The Drive [StorageVolumeElementName] has been removed from unit [PhysicalPackageElementName].

Explanation: Presence of drive 4 is no longer detected. If hard drive is absent from drive bay a filler is required.

May also be shown as 816f000d0404ffff or 0x816f000d0404ffff

Severity: Info

Alert Category: Critical - Hard Disk drive

Serviceable: No

CIM Information: Prefix: PLAT and ID: 0163

SNMP Trap ID: 5

Automatically notify Support: No

User response:

- If drive was intentionally removed, no action required.
- Make sure that the drive properly seated.
- If drive is properly seated, replace the drive.

816f000d-0405ffff The [StorageVolumeElementName] has been removed from unit [PhysicalPackageElementName].

Explanation: Presence of drive 5 is no longer detected. If hard drive is absent from drive bay a filler is required.

May also be shown as 816f000d0405ffff or 0x816f000d0405ffff

Severity: Info

Alert Category: Critical - Hard Disk drive

Serviceable: No

CIM Information: Prefix: PLAT and ID: 0163

SNMP Trap ID: 5

Automatically notify Support: No

User response:

- If drive was intentionally removed, no action required.
- Make sure that the drive properly seated.
- If drive is properly seated, replace the drive.

816f000d-0406ffff The [StorageVolumeElementName] has been removed from unit [PhysicalPackageElementName].

Explanation: Presence of drive 6 is no longer detected. If hard drive is absent from drive bay a filler is required.

May also be shown as 816f000d0406ffff or 0x816f000d0406ffff

Severity: Info

Alert Category: Critical - Hard Disk drive

Serviceable: No

CIM Information: Prefix: PLAT and ID: 0163

SNMP Trap ID: 5

Automatically notify Support: No

User response:

- If drive was intentionally removed, no action required.
- Make sure that the drive properly seated.

- If drive is properly seated, replace the drive.

816f000d-0407ffff The [StorageVolumeElementName] has been removed from unit [PhysicalPackageElementName].

Explanation: Presence of drive 7 is no longer detected. If hard drive is absent from drive bay a filler is required.

May also be shown as 816f000d0407ffff or 0x816f000d0407ffff

Severity: Info

Alert Category: Critical - Hard Disk drive

Serviceable: No

CIM Information: Prefix: PLAT and ID: 0163

SNMP Trap ID: 5

Automatically notify Support: No

User response:

- If drive was intentionally removed, no action required.
- Make sure that the drive properly seated.
- If drive is properly seated, replace the drive.

816f000f-2201ffff The System [ComputerSystemElementName] has detected a POST Error deassertion.

Explanation: A Post Error has recovered.

May also be shown as 816f000f2201ffff or 0x816f000f2201ffff

Severity: Info

Alert Category: Critical - Other

Serviceable: No

CIM Information: Prefix: PLAT and ID: 0185

SNMP Trap ID: 50

Automatically notify Support: No

User response: Information only; no action is required.

816f0013-1701ffff System [ComputerSystemElementName] has recovered from a diagnostic interrupt.

Explanation: The system has recovered from a Front Panel NMI / Diagnostic Interrupt.

May also be shown as 816f00131701ffff or 0x816f00131701ffff

Severity: Info

Alert Category: Critical - Other

Serviceable: No

CIM Information: Prefix: PLAT and ID: 0223

SNMP Trap ID: 50

Automatically notify Support: No

User response: Information only; no action is required.

816f0021-1201ffff • 816f0028-2101ffff

816f0021-1201ffff Fault condition removed on slot [PhysicalConnectorElementName] on system [ComputerSystemElementName].

Explanation: The SMP scaling connector in the system has been removed.

May also be shown as 816f00211201ffff or 0x816f00211201ffff

Severity: Info

Alert Category: Critical - Other

Serviceable: No

CIM Information: Prefix: PLAT and ID: 0331

SNMP Trap ID: 50

Automatically notify Support: No

User response: Information only; no action is required.

816f0021-2201ffff Fault condition removed on slot [PhysicalConnectorElementName] on system [ComputerSystemElementName].

Explanation: A fault in a slot has been removed. No Op ROM Space.

May also be shown as 816f00212201ffff or 0x816f00212201ffff

Severity: Info

Alert Category: Critical - Other

Serviceable: No

CIM Information: Prefix: PLAT and ID: 0331

SNMP Trap ID: 50

Automatically notify Support: No

User response: Information only; no action is required.

816f0021-2582ffff Fault condition removed on slot [PhysicalConnectorElementName] on system [ComputerSystemElementName].

Explanation: A fault in a slot has been recovered. PCIe error.

May also be shown as 816f00212582ffff or 0x816f00212582ffff

Severity: Info

Alert Category: Critical - Other

Serviceable: No

CIM Information: Prefix: PLAT and ID: 0331

SNMP Trap ID: 50

Automatically notify Support: No

User response: Information only; no action is required.

816f0028-2101ffff Sensor [SensorElementName] has returned to normal on management system [ComputerSystemElementName].

Explanation: TPM was initialized and started successfully.

May also be shown as 816f00282101ffff or 0x816f00282101ffff

Severity: Info

Alert Category: Warning - Other

Serviceable: No

CIM Information: Prefix: PLAT and ID: 0399

SNMP Trap ID: 60

Automatically notify Support: No

User response: Information Only; no action is required.

816f0107-0301ffff An Over-Temperature Condition has been removed on [ProcessorElementName].

Explanation: The microprocessor 1 temperature has returned to below the critical level.

May also be shown as 816f01070301ffff or 0x816f01070301ffff

Severity: Info

Alert Category: Critical - Temperature

Serviceable: No

CIM Information: Prefix: PLAT and ID: 0037

SNMP Trap ID: 0

Automatically notify Support: No

User response: Information only; no action is required.

816f0107-0302ffff An Over-Temperature Condition has been removed on [ProcessorElementName].

Explanation: The microprocessor 2 temperature has returned to below the critical level.

May also be shown as 816f01070302ffff or 0x816f01070302ffff

Severity: Info

Alert Category: Critical - Temperature

Serviceable: No

CIM Information: Prefix: PLAT and ID: 0037

SNMP Trap ID: 0

Automatically notify Support: No

User response: Information only; no action is required.

816f0107-2584ffff An Over-Temperature Condition has been removed on [ProcessorElementName].

Explanation: The microprocessor temperature has returned to below the critical level. All CPUs. One of CPUs.

May also be shown as 816f01072584ffff or 0x816f01072584ffff

Severity: Info

Alert Category: Critical - Temperature

Serviceable: No

CIM Information: Prefix: PLAT and ID: 0037

SNMP Trap ID: 0

Automatically notify Support: No

User response: Information only; no action is required.

816f010c-2001ffff Uncorrectable error recovery detected for [PhysicalMemoryElementName] on Subsystem [MemoryElementName].

Explanation: A memory uncorrectable error has recovered.

May also be shown as 816f010c2001ffff or 0x816f010c2001ffff

Severity: Info

Alert Category: Critical - Memory

Serviceable: No

CIM Information: Prefix: PLAT and ID: 0139

SNMP Trap ID: 41

Automatically notify Support: No

User response: Information only; no action is required.

816f010c-2002ffff Uncorrectable error recovery detected for [PhysicalMemoryElementName] on Subsystem [MemoryElementName].

Explanation: A memory uncorrectable error has recovered.

May also be shown as 816f010c2002ffff or 0x816f010c2002ffff

Severity: Info

Alert Category: Critical - Memory

Serviceable: No

CIM Information: Prefix: PLAT and ID: 0139

SNMP Trap ID: 41

Automatically notify Support: No

User response: Information only; no action is required.

816f010c-2003ffff Uncorrectable error recovery detected for [PhysicalMemoryElementName] on Subsystem [MemoryElementName].

Explanation: A memory uncorrectable error has recovered.

May also be shown as 816f010c2003ffff or 0x816f010c2003ffff

Severity: Info

Alert Category: Critical - Memory

Serviceable: No

CIM Information: Prefix: PLAT and ID: 0139

SNMP Trap ID: 41

Automatically notify Support: No

User response: Information only; no action is required.

816f010c-2004ffff Uncorrectable error recovery detected for [PhysicalMemoryElementName] on Subsystem [MemoryElementName].

Explanation: A memory uncorrectable error has recovered.

May also be shown as 816f010c2004ffff or 0x816f010c2004ffff

Severity: Info

Alert Category: Critical - Memory

Serviceable: No

CIM Information: Prefix: PLAT and ID: 0139

SNMP Trap ID: 41

Automatically notify Support: No

User response: Information only; no action is required.

816f010c-2005ffff Uncorrectable error recovery detected for [PhysicalMemoryElementName] on Subsystem [MemoryElementName].

Explanation: A memory uncorrectable error has recovered.

May also be shown as 816f010c2005ffff or 0x816f010c2005ffff

Severity: Info

Alert Category: Critical - Memory

Serviceable: No

CIM Information: Prefix: PLAT and ID: 0139

SNMP Trap ID: 41

Automatically notify Support: No

User response: Information only; no action is required.

816f010c-2006ffff Uncorrectable error recovery detected for [PhysicalMemoryElementName] on Subsystem [MemoryElementName].

Explanation: A memory uncorrectable error has recovered.

May also be shown as 816f010c2006ffff or 0x816f010c2006ffff

Severity: Info

Alert Category: Critical - Memory

Serviceable: No

CIM Information: Prefix: PLAT and ID: 0139

SNMP Trap ID: 41

Automatically notify Support: No

User response: Information only; no action is required.

816f010c-2007ffff Uncorrectable error recovery detected for [PhysicalMemoryElementName] on Subsystem [MemoryElementName].

Explanation: A memory uncorrectable error has recovered.

May also be shown as 816f010c2007ffff or 0x816f010c2007ffff

Severity: Info

Alert Category: Critical - Memory

Serviceable: No

CIM Information: Prefix: PLAT and ID: 0139

SNMP Trap ID: 41

Automatically notify Support: No

User response: Information only; no action is required.

816f010c-2008ffff Uncorrectable error recovery detected for [PhysicalMemoryElementName] on Subsystem [MemoryElementName].

Explanation: A memory uncorrectable error has recovered.

May also be shown as 816f010c2008ffff or 0x816f010c2008ffff

Severity: Info

Alert Category: Critical - Memory

Serviceable: No

CIM Information: Prefix: PLAT and ID: 0139

SNMP Trap ID: 41

Automatically notify Support: No

User response: Information only; no action is required.

816f010c-2009ffff Uncorrectable error recovery detected for [PhysicalMemoryElementName] on Subsystem [MemoryElementName].

Explanation: A memory uncorrectable error has recovered.

May also be shown as 816f010c2009ffff or 0x816f010c2009ffff

Severity: Info

Alert Category: Critical - Memory

Serviceable: No

CIM Information: Prefix: PLAT and ID: 0139

SNMP Trap ID: 41

Automatically notify Support: No

User response: Information only; no action is required.

816f010c-200affff Uncorrectable error recovery detected for [PhysicalMemoryElementName] on Subsystem [MemoryElementName].

Explanation: A memory uncorrectable error has recovered.

May also be shown as 816f010c200affff or 0x816f010c200affff

Severity: Info

Alert Category: Critical - Memory

Serviceable: No

CIM Information: Prefix: PLAT and ID: 0139

SNMP Trap ID: 41

Automatically notify Support: No

User response: Information only; no action is required.

816f010c-200bffff Uncorrectable error recovery detected for [PhysicalMemoryElementName] on Subsystem [MemoryElementName].

Explanation: A memory uncorrectable error has recovered.

May also be shown as 816f010c200bffff or 0x816f010c200bffff

Severity: Info

Alert Category: Critical - Memory

Serviceable: No

CIM Information: Prefix: PLAT and ID: 0139

SNMP Trap ID: 41

Automatically notify Support: No

User response: Information only; no action is required.

816f010c-200cffff Uncorrectable error recovery detected for [PhysicalMemoryElementName] on Subsystem [MemoryElementName].

Explanation: A memory uncorrectable error has recovered.

May also be shown as 816f010c200cffff or 0x816f010c200cffff

Severity: Info

Alert Category: Critical - Memory

Serviceable: No

CIM Information: Prefix: PLAT and ID: 0139

SNMP Trap ID: 41

Automatically notify Support: No

User response: Information only; no action is required.

816f010c-200dffff Uncorrectable error recovery detected for [PhysicalMemoryElementName] on Subsystem [MemoryElementName].

Explanation: A memory uncorrectable error has recovered.

May also be shown as 816f010c200dffff or 0x816f010c200dffff

Severity: Info

Alert Category: Critical - Memory

Serviceable: No

CIM Information: Prefix: PLAT and ID: 0139

SNMP Trap ID: 41

Automatically notify Support: No

User response: Information only; no action is required.

816f010c-200effff Uncorrectable error recovery detected for [PhysicalMemoryElementName] on Subsystem [MemoryElementName].

Explanation: A memory uncorrectable error has recovered.

May also be shown as 816f010c200effff or 0x816f010c200effff

Severity: Info

Alert Category: Critical - Memory

Serviceable: No

CIM Information: Prefix: PLAT and ID: 0139

SNMP Trap ID: 41

Automatically notify Support: No

User response: Information only; no action is required.

816f010c-200ffff Uncorrectable error recovery detected for [PhysicalMemoryElementName] on Subsystem [MemoryElementName].

Explanation: A memory uncorrectable error has recovered.

May also be shown as 816f010c200ffff or 0x816f010c200ffff

Severity: Info

Alert Category: Critical - Memory

Serviceable: No

CIM Information: Prefix: PLAT and ID: 0139

SNMP Trap ID: 41

Automatically notify Support: No

User response: Information only; no action is required.

816f010c-2010ffff Uncorrectable error recovery detected for [PhysicalMemoryElementName] on Subsystem [MemoryElementName].

Explanation: A memory uncorrectable error has recovered.

May also be shown as 816f010c2010ffff or 0x816f010c2010ffff

Severity: Info

Alert Category: Critical - Memory

Serviceable: No

CIM Information: Prefix: PLAT and ID: 0139

SNMP Trap ID: 41

Automatically notify Support: No

User response: Information only; no action is required.

816f010c-2011ffff Uncorrectable error recovery detected for [PhysicalMemoryElementName] on Subsystem [MemoryElementName].

Explanation: A memory uncorrectable error has recovered.

May also be shown as 816f010c2011ffff or 0x816f010c2011ffff

Severity: Info

Alert Category: Critical - Memory

Serviceable: No

CIM Information: Prefix: PLAT and ID: 0139

SNMP Trap ID: 41

Automatically notify Support: No

User response: Information only; no action is required.

816f010c-2012ffff Uncorrectable error recovery detected for [PhysicalMemoryElementName] on Subsystem [MemoryElementName].

Explanation: A memory uncorrectable error has recovered.

May also be shown as 816f010c2012ffff or 0x816f010c2012ffff

Severity: Info

Alert Category: Critical - Memory

Serviceable: No

CIM Information: Prefix: PLAT and ID: 0139

SNMP Trap ID: 41

Automatically notify Support: No

User response: Information only; no action is required.

816f010c-2013ffff Uncorrectable error recovery detected for [PhysicalMemoryElementName] on Subsystem [MemoryElementName].

Explanation: A memory uncorrectable error has recovered.

May also be shown as 816f010c2013ffff or 0x816f010c2013ffff

Severity: Info

Alert Category: Critical - Memory

Serviceable: No

CIM Information: Prefix: PLAT and ID: 0139

SNMP Trap ID: 41

Automatically notify Support: No

User response: Information only; no action is required.

816f010c-2014ffff Uncorrectable error recovery detected for [PhysicalMemoryElementName] on Subsystem [MemoryElementName].

Explanation: A memory uncorrectable error has recovered.

May also be shown as 816f010c2014ffff or 0x816f010c2014ffff

Severity: Info

Alert Category: Critical - Memory

Serviceable: No

CIM Information: Prefix: PLAT and ID: 0139

SNMP Trap ID: 41

Automatically notify Support: No

User response: Information only; no action is required.

816f010c-2015ffff Uncorrectable error recovery detected for [PhysicalMemoryElementName] on Subsystem [MemoryElementName].

Explanation: A memory uncorrectable error has recovered.

May also be shown as 816f010c2015ffff or 0x816f010c2015ffff

Severity: Info

Alert Category: Critical - Memory

Serviceable: No

CIM Information: Prefix: PLAT and ID: 0139

SNMP Trap ID: 41

Automatically notify Support: No

User response: Information only; no action is required.

816f010c-2016ffff Uncorrectable error recovery detected for DIMM 22 on Subsystem [MemoryElementName].

Explanation: A memory uncorrectable error has recovered.

May also be shown as 816f010c2016ffff or 0x816f010c2016ffff

Severity: Info

Alert Category: Critical - Memory

Serviceable: No

CIM Information: Prefix: PLAT and ID: 0139

SNMP Trap ID: 41

Automatically notify Support: No

User response: Information only; no action is required.

816f010c-2017ffff Uncorrectable error recovery detected for [PhysicalMemoryElementName] on Subsystem [MemoryElementName].

Explanation: A memory uncorrectable error has recovered.

May also be shown as 816f010c2017ffff or 0x816f010c2017ffff

Severity: Info

Alert Category: Critical - Memory

Serviceable: No

CIM Information: Prefix: PLAT and ID: 0139

SNMP Trap ID: 41

Automatically notify Support: No

User response: Information only; no action is required.

816f010c-2018ffff Uncorrectable error recovery detected for [PhysicalMemoryElementName] on Subsystem [MemoryElementName].

Explanation: A memory uncorrectable error has recovered.

May also be shown as 816f010c2018ffff or 0x816f010c2018ffff

Severity: Info

Alert Category: Critical - Memory

Serviceable: No

CIM Information: Prefix: PLAT and ID: 0139

SNMP Trap ID: 41

Automatically notify Support: No

User response: Information only; no action is required.

816f010c-2019ffff Uncorrectable error recovery detected for [PhysicalMemoryElementName] on Subsystem [MemoryElementName].

Explanation: A memory uncorrectable error has recovered.

May also be shown as 816f010c2019ffff or 0x816f010c2019ffff

Severity: Info

Alert Category: Critical - Memory

Serviceable: No

CIM Information: Prefix: PLAT and ID: 0139

SNMP Trap ID: 41

Automatically notify Support: No

User response: Information only; no action is required.

816f010c-201affff Uncorrectable error recovery detected for [PhysicalMemoryElementName] on Subsystem [MemoryElementName].

Explanation: A memory uncorrectable error has recovered.

May also be shown as 816f010c201affff or 0x816f010c201affff

Severity: Info

Alert Category: Critical - Memory

Serviceable: No

CIM Information: Prefix: PLAT and ID: 0139

SNMP Trap ID: 41

Automatically notify Support: No

User response: Information only; no action is required.

816f010c-201bffff Uncorrectable error recovery detected for [PhysicalMemoryElementName] on Subsystem [MemoryElementName].

Explanation: A memory uncorrectable error has recovered.

May also be shown as 816f010c201bffff or 0x816f010c201bffff

Severity: Info

Alert Category: Critical - Memory

Serviceable: No

CIM Information: Prefix: PLAT and ID: 0139

SNMP Trap ID: 41

Automatically notify Support: No

User response: Information only; no action is required.

816f010c-201cffff Uncorrectable error recovery detected for [PhysicalMemoryElementName] on Subsystem [MemoryElementName].

Explanation: A memory uncorrectable error has recovered.

May also be shown as 816f010c201cffff or 0x816f010c201cffff

Severity: Info

Alert Category: Critical - Memory

Serviceable: No

CIM Information: Prefix: PLAT and ID: 0139

SNMP Trap ID: 41

Automatically notify Support: No

User response: Information only; no action is required.

816f010c-201dffff Uncorrectable error recovery detected for [PhysicalMemoryElementName] on Subsystem [MemoryElementName].

Explanation: A memory uncorrectable error has recovered.

May also be shown as 816f010c201dffff or 0x816f010c201dffff

Severity: Info

Alert Category: Critical - Memory

Serviceable: No

CIM Information: Prefix: PLAT and ID: 0139

SNMP Trap ID: 41

Automatically notify Support: No

User response: Information only; no action is required.

816f010c-201effff Uncorrectable error recovery detected for [PhysicalMemoryElementName] on Subsystem [MemoryElementName].

Explanation: A memory uncorrectable error has recovered.

May also be shown as 816f010c201effff or 0x816f010c201effff

Severity: Info

Alert Category: Critical - Memory

Serviceable: No

CIM Information: Prefix: PLAT and ID: 0139

SNMP Trap ID: 41

Automatically notify Support: No

User response: Information only; no action is required.

816f010c-201fffff Uncorrectable error recovery detected for [PhysicalMemoryElementName] on Subsystem [MemoryElementName].

Explanation: A memory uncorrectable error has recovered.

May also be shown as 816f010c201fffff or 0x816f010c201fffff

Severity: Info

Alert Category: Critical - Memory

Serviceable: No

CIM Information: Prefix: PLAT and ID: 0139

SNMP Trap ID: 41

Automatically notify Support: No

User response: Information only; no action is required.

816f010c-2020ffff Uncorrectable error recovery detected for [PhysicalMemoryElementName] on Subsystem [MemoryElementName].

Explanation: A memory uncorrectable error has recovered.

May also be shown as 816f010c2020ffff or 0x816f010c2020ffff

Severity: Info

Alert Category: Critical - Memory

Serviceable: No

CIM Information: Prefix: PLAT and ID: 0139

SNMP Trap ID: 41

Automatically notify Support: No

User response: Information only; no action is required.

816f010c-2021ffff Uncorrectable error recovery detected for [PhysicalMemoryElementName] on Subsystem [MemoryElementName].

Explanation: A memory uncorrectable error has recovered.

May also be shown as 816f010c2021ffff or 0x816f010c2021ffff

Severity: Info

Alert Category: Critical - Memory

Serviceable: No

CIM Information: Prefix: PLAT and ID: 0139

SNMP Trap ID: 41

Automatically notify Support: No

User response: Information only; no action is required.

816f010c-2022ffff Uncorrectable error recovery detected for [PhysicalMemoryElementName] on Subsystem [MemoryElementName].

Explanation: A memory uncorrectable error has recovered.

May also be shown as 816f010c2022ffff or 0x816f010c2022ffff

Severity: Info

Alert Category: Critical - Memory

Serviceable: No

CIM Information: Prefix: PLAT and ID: 0139

SNMP Trap ID: 41

Automatically notify Support: No

User response: Information only; no action is required.

816f010c-2023ffff Uncorrectable error recovery detected for [PhysicalMemoryElementName] on Subsystem [MemoryElementName].

Explanation: A memory uncorrectable error has recovered.

May also be shown as 816f010c2023ffff or 0x816f010c2023ffff

Severity: Info

Alert Category: Critical - Memory

Serviceable: No

CIM Information: Prefix: PLAT and ID: 0139

SNMP Trap ID: 41

Automatically notify Support: No

User response: Information only; no action is required.

816f010c-2024ffff Uncorrectable error recovery detected for [PhysicalMemoryElementName] on Subsystem [MemoryElementName].

Explanation: A memory uncorrectable error has recovered.

May also be shown as 816f010c2024ffff or 0x816f010c2024ffff

Severity: Info

Alert Category: Critical - Memory

Serviceable: No

CIM Information: Prefix: PLAT and ID: 0139

SNMP Trap ID: 41

Automatically notify Support: No

User response: Information only; no action is required.

816f010c-2025ffff Uncorrectable error recovery detected for [PhysicalMemoryElementName] on Subsystem [MemoryElementName].

Explanation: A memory uncorrectable error has recovered.

May also be shown as 816f010c2025ffff or 0x816f010c2025ffff

Severity: Info

Alert Category: Critical - Memory

Serviceable: No

CIM Information: Prefix: PLAT and ID: 0139

SNMP Trap ID: 41

Automatically notify Support: No

User response: Information only; no action is required.

816f010c-2026ffff Uncorrectable error recovery detected for [PhysicalMemoryElementName] on Subsystem [MemoryElementName].

Explanation: A memory uncorrectable error has recovered.

May also be shown as 816f010c2026ffff or 0x816f010c2026ffff

Severity: Info

Alert Category: Critical - Memory

Serviceable: No

CIM Information: Prefix: PLAT and ID: 0139

SNMP Trap ID: 41

Automatically notify Support: No

User response: Information only; no action is required.

816f010c-2027ffff Uncorrectable error recovery detected for [PhysicalMemoryElementName] on Subsystem [MemoryElementName].

Explanation: A memory uncorrectable error has recovered.

May also be shown as 816f010c2027ffff or 0x816f010c2027ffff

Severity: Info

Alert Category: Critical - Memory

Serviceable: No

CIM Information: Prefix: PLAT and ID: 0139

SNMP Trap ID: 41

Automatically notify Support: No

User response: Information only; no action is required.

816f010c-2028ffff Uncorrectable error recovery detected for [PhysicalMemoryElementName] on Subsystem [MemoryElementName].

Explanation: A memory uncorrectable error has recovered.

May also be shown as 816f010c2028ffff or 0x816f010c2028ffff

Severity: Info

Alert Category: Critical - Memory

Serviceable: No

CIM Information: Prefix: PLAT and ID: 0139

SNMP Trap ID: 41

Automatically notify Support: No

User response: Information only; no action is required.

816f010c-2029ffff Uncorrectable error recovery detected for [PhysicalMemoryElementName] on Subsystem [MemoryElementName].

Explanation: A memory uncorrectable error has recovered.

May also be shown as 816f010c2029ffff or 0x816f010c2029ffff

Severity: Info

Alert Category: Critical - Memory

Serviceable: No

CIM Information: Prefix: PLAT and ID: 0139

SNMP Trap ID: 41

Automatically notify Support: No

User response: Information only; no action is required.

816f010c-202affff Uncorrectable error recovery detected for [PhysicalMemoryElementName] on Subsystem [MemoryElementName].

Explanation: A memory uncorrectable error has recovered.

May also be shown as 816f010c202affff or 0x816f010c202affff

Severity: Info

Alert Category: Critical - Memory

Serviceable: No

CIM Information: Prefix: PLAT and ID: 0139

SNMP Trap ID: 41

Automatically notify Support: No

User response: Information only; no action is required.

816f010c-202bffff Uncorrectable error recovery detected for [PhysicalMemoryElementName] on Subsystem [MemoryElementName].

Explanation: A memory uncorrectable error has recovered.

May also be shown as 816f010c202bffff or 0x816f010c202bffff

Severity: Info

Alert Category: Critical - Memory

Serviceable: No

CIM Information: Prefix: PLAT and ID: 0139

SNMP Trap ID: 41

Automatically notify Support: No

User response: Information only; no action is required.

816f010c-202cffff Uncorrectable error recovery detected for [PhysicalMemoryElementName] on Subsystem [MemoryElementName].

Explanation: A memory uncorrectable error has recovered.

May also be shown as 816f010c202cffff or 0x816f010c202cffff

Severity: Info

Alert Category: Critical - Memory

Serviceable: No

CIM Information: Prefix: PLAT and ID: 0139

SNMP Trap ID: 41

Automatically notify Support: No

User response: Information only; no action is required.

816f010c-202dffff Uncorrectable error recovery detected for [PhysicalMemoryElementName] on Subsystem [MemoryElementName].

Explanation: A memory uncorrectable error has recovered.

May also be shown as 816f010c202dffff or 0x816f010c202dffff

Severity: Info

Alert Category: Critical - Memory

Serviceable: No

CIM Information: Prefix: PLAT and ID: 0139

SNMP Trap ID: 41

Automatically notify Support: No

User response: Information only; no action is required.

816f010c-202effff Uncorrectable error recovery detected for [PhysicalMemoryElementName] on Subsystem [MemoryElementName].

Explanation: A memory uncorrectable error has recovered.

May also be shown as 816f010c202effff or 0x816f010c202effff

Severity: Info

Alert Category: Critical - Memory

Serviceable: No

CIM Information: Prefix: PLAT and ID: 0139

SNMP Trap ID: 41

Automatically notify Support: No

User response: Information only; no action is required.

816f010c-202ffff Uncorrectable error recovery detected for [PhysicalMemoryElementName] on Subsystem [MemoryElementName].

Explanation: A memory uncorrectable error has recovered.

May also be shown as 816f010c202ffff or 0x816f010c202ffff

Severity: Info

Alert Category: Critical - Memory

Serviceable: No

CIM Information: Prefix: PLAT and ID: 0139

SNMP Trap ID: 41

Automatically notify Support: No

User response: Information only; no action is required.

816f010c-2030ffff Uncorrectable error recovery detected for [PhysicalMemoryElementName] on Subsystem [MemoryElementName].

Explanation: A memory uncorrectable error has recovered.

May also be shown as 816f010c2030ffff or 0x816f010c2030ffff

Severity: Info

Alert Category: Critical - Memory

Serviceable: No

CIM Information: Prefix: PLAT and ID: 0139

SNMP Trap ID: 41

Automatically notify Support: No

User response: Information only; no action is required.

816f010c-2581ffff Uncorrectable error recovery detected for [PhysicalMemoryElementName] on Subsystem [MemoryElementName].

Explanation: A memory uncorrectable error has recovered. All DIMMs. One of the DIMMs.

May also be shown as 816f010c2581ffff or 0x816f010c2581ffff

Severity: Info

Alert Category: Critical - Memory

Serviceable: No

CIM Information: Prefix: PLAT and ID: 0139

SNMP Trap ID: 41

Automatically notify Support: No

User response: Information only; no action is required.

816f010d-0400ffff • 816f010d-0403ffff

816f010d-0400ffff The [StorageVolumeElementName] has been enabled.

Explanation: The previously disabled drive 0 has been enabled.

May also be shown as 816f010d0400ffff or 0x816f010d0400ffff

Severity: Info

Alert Category: Critical - Hard Disk drive

Serviceable: No

CIM Information: Prefix: PLAT and ID: 0167

SNMP Trap ID: 5

Automatically notify Support: No

User response: Information only; no action is required.

816f010d-0401ffff The [StorageVolumeElementName] has been enabled.

Explanation: The previously disabled drive 1 has been enabled.

May also be shown as 816f010d0401ffff or 0x816f010d0401ffff

Severity: Info

Alert Category: Critical - Hard Disk drive

Serviceable: No

CIM Information: Prefix: PLAT and ID: 0167

SNMP Trap ID: 5

Automatically notify Support: No

User response: Information only; no action is required.

816f010d-0402ffff The [StorageVolumeElementName] has been enabled.

Explanation: The previously disabled drive 2 has been enabled.

May also be shown as 816f010d0402ffff or 0x816f010d0402ffff

Severity: Info

Alert Category: Critical - Hard Disk drive

Serviceable: No

CIM Information: Prefix: PLAT and ID: 0167

SNMP Trap ID: 5

Automatically notify Support: No

User response: Information only; no action is required.

816f010d-0403ffff The [StorageVolumeElementName] has been enabled.

Explanation: The previously disabled drive 3 has been enabled.

May also be shown as 816f010d0403ffff or 0x816f010d0403ffff

Severity: Info

Alert Category: Critical - Hard Disk drive

Serviceable: No

CIM Information: Prefix: PLAT and ID: 0167

SNMP Trap ID: 5

Automatically notify Support: No

User response: Information only; no action is required.

816f010d-0404ffff The [StorageVolumeElementName] has been enabled.

Explanation: The previously disabled drive 4 has been enabled.

May also be shown as 816f010d0404ffff or 0x816f010d0404ffff

Severity: Info

Alert Category: Critical - Hard Disk drive

Serviceable: No

CIM Information: Prefix: PLAT and ID: 0167

SNMP Trap ID: 5

Automatically notify Support: No

User response: Information only; no action is required.

816f010d-0405ffff The [StorageVolumeElementName] has been enabled.

Explanation: The previously disabled drive 5 has been enabled.

May also be shown as 816f010d0405ffff or 0x816f010d0405ffff

Severity: Info

Alert Category: Critical - Hard Disk drive

Serviceable: No

CIM Information: Prefix: PLAT and ID: 0167

SNMP Trap ID: 5

Automatically notify Support: No

User response: Information only; no action is required.

816f010d-0406ffff The [StorageVolumeElementName] has been enabled.

Explanation: The previously disabled drive 6 has been enabled.

May also be shown as 816f010d0406ffff or 0x816f010d0406ffff

Severity: Info

Alert Category: Critical - Hard Disk drive

Serviceable: No

CIM Information: Prefix: PLAT and ID: 0167

SNMP Trap ID: 5

Automatically notify Support: No

User response: Information only; no action is required.

816f010d-0407ffff The [StorageVolumeElementName] has been enabled.

Explanation: The previously disabled drive 7 has been enabled.

May also be shown as 816f010d0407ffff or 0x816f010d0407ffff

Severity: Info

816f010d-2b81ffff • 816f0207-0301ffff

Alert Category: Critical - Hard Disk drive

Serviceable: No

CIM Information: **Prefix:** PLAT and **ID:** 0167

SNMP Trap ID: 5

Automatically notify Support: No

User response: Information only; no action is required.

816f010d-2b81ffff The [StorageVolumeElementName] has been enabled.

Explanation: A drive was Enabled.

May also be shown as 816f010d2b81ffff or 0x816f010d2b81ffff

Severity: Info

Alert Category: Critical - Hard Disk drive

Serviceable: No

CIM Information: **Prefix:** PLAT and **ID:** 0167

SNMP Trap ID: 5

Automatically notify Support: No

User response: Information only; no action is required.

816f010f-2201ffff The System [ComputerSystemElementName] has recovered from a firmware hang.

Explanation: A System Firmware hang has recovered.

May also be shown as 816f010f2201ffff or 0x816f010f2201ffff

Severity: Info

Alert Category: Critical - Other

Serviceable: No

CIM Information: **Prefix:** PLAT and **ID:** 0187

SNMP Trap ID: 50

Automatically notify Support: No

User response: Information only; no action is required.

816f0207-0301ffff [ProcessorElementName] has Recovered from FRB1/BIST condition.

Explanation: A processor has Recovered - FRB1/BIST condition.

May also be shown as 816f02070301ffff or 0x816f02070301ffff

Severity: Info

Alert Category: Critical - CPU

Serviceable: No

CIM Information: **Prefix:** PLAT and **ID:** 0045

SNMP Trap ID: 40

Automatically notify Support: No

User response: Information only; no action is required.

816f0207-0302ffff [ProcessorElementName] has Recovered from FRB1/BIST condition.

Explanation: A processor has Recovered - FRB1/BIST condition.

May also be shown as 816f02070302ffff or 0x816f02070302ffff

Severity: Info

Alert Category: Critical - CPU

Serviceable: No

CIM Information: Prefix: PLAT and ID: 0045

SNMP Trap ID: 40

Automatically notify Support: No

User response: Information only; no action is required.

816f0207-2584ffff [ProcessorElementName] has Recovered from FRB1/BIST condition.

Explanation: A processor recovered - FRB1/BIST condition. All CPUs. One of CPUs.

May also be shown as 816f02072584ffff or 0x816f02072584ffff

Severity: Info

Alert Category: Critical - CPU

Serviceable: No

CIM Information: Prefix: PLAT and ID: 0045

SNMP Trap ID: 40

Automatically notify Support: No

User response: Information only; no action is required.

816f020d-0400ffff Failure no longer Predicted on [StorageVolumeElementName] for array [ComputerSystemElementName].

Explanation: The predicted failure for Drive 0 no longer exists.

May also be shown as 816f020d0400ffff or 0x816f020d0400ffff

Severity: Info

Alert Category: System - Predicted Failure

Serviceable: No

CIM Information: Prefix: PLAT and ID: 0169

SNMP Trap ID: 27

Automatically notify Support: No

User response: Information only; no action is required.

816f020d-0401ffff Failure no longer Predicted on [StorageVolumeElementName] for array [ComputerSystemElementName].

Explanation: The predicted failure for Drive 1 no longer exists.

May also be shown as 816f020d0401ffff or 0x816f020d0401ffff

Severity: Info

Alert Category: System - Predicted Failure

Serviceable: No

816f020d-0402ffff • 816f020d-0404ffff

CIM Information: Prefix: PLAT and ID: 0169

SNMP Trap ID: 27

Automatically notify Support: No

User response: Information only; no action is required.

816f020d-0402ffff Failure no longer Predicted on [StorageVolumeElementName] for array [ComputerSystemElementName].

Explanation: The predicted failure for Drive 2 no longer exists.

May also be shown as 816f020d0402ffff or 0x816f020d0402ffff

Severity: Info

Alert Category: System - Predicted Failure

Serviceable: No

CIM Information: Prefix: PLAT and ID: 0169

SNMP Trap ID: 27

Automatically notify Support: No

User response: Information only; no action is required.

816f020d-0403ffff Failure no longer Predicted on [StorageVolumeElementName] for array [ComputerSystemElementName].

Explanation: The predicted failure for Drive 3 no longer exists.

May also be shown as 816f020d0403ffff or 0x816f020d0403ffff

Severity: Info

Alert Category: System - Predicted Failure

Serviceable: No

CIM Information: Prefix: PLAT and ID: 0169

SNMP Trap ID: 27

Automatically notify Support: No

User response: Information only; no action is required.

816f020d-0404ffff Failure no longer Predicted on [StorageVolumeElementName] for array [ComputerSystemElementName].

Explanation: The predicted failure for Drive 4 no longer exists.

May also be shown as 816f020d0404ffff or 0x816f020d0404ffff

Severity: Info

Alert Category: System - Predicted Failure

Serviceable: No

CIM Information: Prefix: PLAT and ID: 0169

SNMP Trap ID: 27

Automatically notify Support: No

User response: Information only; no action is required.

816f020d-0405ffff Failure no longer Predicted on [StorageVolumeElementName] for array [ComputerSystemElementName].

Explanation: The predicted failure for Drive 5 no longer exists.

May also be shown as 816f020d0405ffff or 0x816f020d0405ffff

Severity: Info

Alert Category: System - Predicted Failure

Serviceable: No

CIM Information: Prefix: PLAT and ID: 0169

SNMP Trap ID: 27

Automatically notify Support: No

User response: Information only; no action is required.

816f020d-0406ffff Failure no longer Predicted on [StorageVolumeElementName] for array [ComputerSystemElementName].

Explanation: The predicted failure for Drive 6 no longer exists.

May also be shown as 816f020d0406ffff or 0x816f020d0406ffff

Severity: Info

Alert Category: System - Predicted Failure

Serviceable: No

CIM Information: Prefix: PLAT and ID: 0169

SNMP Trap ID: 27

Automatically notify Support: No

User response: Information only; no action is required.

816f020d-0407ffff Failure no longer Predicted on [StorageVolumeElementName] for array [ComputerSystemElementName].

Explanation: The predicted failure for Drive 7 no longer exists.

May also be shown as 816f020d0407ffff or 0x816f020d0407ffff

Severity: Info

Alert Category: System - Predicted Failure

Serviceable: No

CIM Information: Prefix: PLAT and ID: 0169

SNMP Trap ID: 27

Automatically notify Support: No

User response: Information only; no action is required.

816f020d-2b81ffff Failure no longer Predicted on [StorageVolumeElementName] for array [ComputerSystemElementName].

Explanation: The eXFlash Proxy Service deasserted a previous reported predicted failure for eXFlash DIMM.

May also be shown as 816f020d2b81ffff or 0x816f020d2b81ffff

Severity: Info

Alert Category: System - Predicted Failure

816f0221-1201ffff • 816f030c-2001ffff

Serviceable: No

CIM Information: Prefix: PLAT and ID: 0169

SNMP Trap ID: 27

Automatically notify Support: No

User response: Information only; no action is required.

816f0221-1201ffff Slot [PhysicalConnectorElementName] empty for system [ComputerSystemElementName].

Explanation: An SMP connector has been removed from the system.

May also be shown as 816f02211201ffff or 0x816f02211201ffff

Severity: Info

Alert Category: System - Other

Serviceable: No

CIM Information: Prefix: PLAT and ID: 0336

SNMP Trap ID:

Automatically notify Support: No

User response: Information only; no action is required.

816f0225-1f05ffff [ManagedElementName] has been enabled.

Explanation: This message indicates the LAN On Motherboard (LOM) 1 is enabled.

May also be shown as 816f02251f05ffff or 0x816f02251f05ffff

Severity: Info

Alert Category: System - Other

Serviceable: No

CIM Information: Prefix: PLAT and ID: 0395

SNMP Trap ID:

Automatically notify Support: No

User response: Information only; no action is required.

816f030c-2001ffff Scrub Failure for [PhysicalMemoryElementName] on Subsystem [MemoryElementName] has recovered.

Explanation: A Memory Scrub failure detected during boot has recovered.

May also be shown as 816f030c2001ffff or 0x816f030c2001ffff

Severity: Info

Alert Category: Critical - Memory

Serviceable: No

CIM Information: Prefix: PLAT and ID: 0137

SNMP Trap ID: 41

Automatically notify Support: No

User response: Information only; no action is required.

816f030c-2002ffff Scrub Failure for [PhysicalMemoryElementName] on Subsystem [MemoryElementName] has recovered.

Explanation: A Memory Scrub failure detected during boot has recovered.

May also be shown as 816f030c2002ffff or 0x816f030c2002ffff

Severity: Info

Alert Category: Critical - Memory

Serviceable: No

CIM Information: Prefix: PLAT and ID: 0137

SNMP Trap ID: 41

Automatically notify Support: No

User response: Information only; no action is required.

816f030c-2003ffff Scrub Failure for [PhysicalMemoryElementName] on Subsystem [MemoryElementName] has recovered.

Explanation: A Memory Scrub failure detected during boot has recovered.

May also be shown as 816f030c2003ffff or 0x816f030c2003ffff

Severity: Info

Alert Category: Critical - Memory

Serviceable: No

CIM Information: Prefix: PLAT and ID: 0137

SNMP Trap ID: 41

Automatically notify Support: No

User response: Information only; no action is required.

816f030c-2004ffff Scrub Failure for [PhysicalMemoryElementName] on Subsystem [MemoryElementName] has recovered.

Explanation: A Memory Scrub failure detected during boot has recovered.

May also be shown as 816f030c2004ffff or 0x816f030c2004ffff

Severity: Info

Alert Category: Critical - Memory

Serviceable: No

CIM Information: Prefix: PLAT and ID: 0137

SNMP Trap ID: 41

Automatically notify Support: No

User response: Information only; no action is required.

816f030c-2005ffff Scrub Failure for [PhysicalMemoryElementName] on Subsystem [MemoryElementName] has recovered.

Explanation: A Memory Scrub failure detected during boot has recovered.

May also be shown as 816f030c2005ffff or 0x816f030c2005ffff

Severity: Info

Alert Category: Critical - Memory

816f030c-2006ffff • 816f030c-2008ffff

Serviceable: No

CIM Information: Prefix: PLAT and ID: 0137

SNMP Trap ID: 41

Automatically notify Support: No

User response: Information only; no action is required.

816f030c-2006ffff Scrub Failure for [PhysicalMemoryElementName] on Subsystem [MemoryElementName] has recovered.

Explanation: A Memory Scrub failure detected during boot has recovered.

May also be shown as 816f030c2006ffff or 0x816f030c2006ffff

Severity: Info

Alert Category: Critical - Memory

Serviceable: No

CIM Information: Prefix: PLAT and ID: 0137

SNMP Trap ID: 41

Automatically notify Support: No

User response: Information only; no action is required.

816f030c-2007ffff Scrub Failure for [PhysicalMemoryElementName] on Subsystem [MemoryElementName] has recovered.

Explanation: A Memory Scrub failure detected during boot has recovered.

May also be shown as 816f030c2007ffff or 0x816f030c2007ffff

Severity: Info

Alert Category: Critical - Memory

Serviceable: No

CIM Information: Prefix: PLAT and ID: 0137

SNMP Trap ID: 41

Automatically notify Support: No

User response: Information only; no action is required.

816f030c-2008ffff Scrub Failure for [PhysicalMemoryElementName] on Subsystem [MemoryElementName] has recovered.

Explanation: A Memory Scrub failure detected during boot has recovered.

May also be shown as 816f030c2008ffff or 0x816f030c2008ffff

Severity: Info

Alert Category: Critical - Memory

Serviceable: No

CIM Information: Prefix: PLAT and ID: 0137

SNMP Trap ID: 41

Automatically notify Support: No

User response: Information only; no action is required.

816f030c-2009ffff Scrub Failure for [PhysicalMemoryElementName] on Subsystem [MemoryElementName] has recovered.

Explanation: A Memory Scrub failure detected during boot has recovered.

May also be shown as 816f030c2009ffff or 0x816f030c2009ffff

Severity: Info

Alert Category: Critical - Memory

Serviceable: No

CIM Information: Prefix: PLAT and ID: 0137

SNMP Trap ID: 41

Automatically notify Support: No

User response: Information only; no action is required.

816f030c-200affff Scrub Failure for [PhysicalMemoryElementName] on Subsystem [MemoryElementName] has recovered.

Explanation: A Memory Scrub failure detected during boot has recovered.

May also be shown as 816f030c200affff or 0x816f030c200affff

Severity: Info

Alert Category: Critical - Memory

Serviceable: No

CIM Information: Prefix: PLAT and ID: 0137

SNMP Trap ID: 41

Automatically notify Support: No

User response: Information only; no action is required.

816f030c-200bffff Scrub Failure for [PhysicalMemoryElementName] on Subsystem [MemoryElementName] has recovered.

Explanation: A Memory Scrub failure detected during boot has recovered.

May also be shown as 816f030c200bffff or 0x816f030c200bffff

Severity: Info

Alert Category: Critical - Memory

Serviceable: No

CIM Information: Prefix: PLAT and ID: 0137

SNMP Trap ID: 41

Automatically notify Support: No

User response: Information only; no action is required.

816f030c-200cffff Scrub Failure for [PhysicalMemoryElementName] on Subsystem [MemoryElementName] has recovered.

Explanation: A Memory Scrub failure detected during boot has recovered.

May also be shown as 816f030c200cffff or 0x816f030c200cffff

Severity: Info

Alert Category: Critical - Memory

816f030c-200dffff • 816f030c-200fffff

Serviceable: No

CIM Information: Prefix: PLAT and ID: 0137

SNMP Trap ID: 41

Automatically notify Support: No

User response: Information only; no action is required.

816f030c-200dffff Scrub Failure for [PhysicalMemoryElementName] on Subsystem [MemoryElementName] has recovered.

Explanation: A Memory Scrub failure detected during boot has recovered.

May also be shown as 816f030c200dffff or 0x816f030c200dffff

Severity: Info

Alert Category: Critical - Memory

Serviceable: No

CIM Information: Prefix: PLAT and ID: 0137

SNMP Trap ID: 41

Automatically notify Support: No

User response: Information only; no action is required.

816f030c-200effff Scrub Failure for [PhysicalMemoryElementName] on Subsystem [MemoryElementName] has recovered.

Explanation: A Memory Scrub failure detected during boot has recovered.

May also be shown as 816f030c200effff or 0x816f030c200effff

Severity: Info

Alert Category: Critical - Memory

Serviceable: No

CIM Information: Prefix: PLAT and ID: 0137

SNMP Trap ID: 41

Automatically notify Support: No

User response: Information only; no action is required.

816f030c-200fffff Scrub Failure for [PhysicalMemoryElementName] on Subsystem [MemoryElementName] has recovered.

Explanation: A Memory Scrub failure detected during boot has recovered.

May also be shown as 816f030c200fffff or 0x816f030c200fffff

Severity: Info

Alert Category: Critical - Memory

Serviceable: No

CIM Information: Prefix: PLAT and ID: 0137

SNMP Trap ID: 41

Automatically notify Support: No

User response: Information only; no action is required.

816f030c-2010ffff Scrub Failure for [PhysicalMemoryElementName] on Subsystem [MemoryElementName] has recovered.

Explanation: A Memory Scrub failure detected during boot has recovered.

May also be shown as 816f030c2010ffff or 0x816f030c2010ffff

Severity: Info

Alert Category: Critical - Memory

Serviceable: No

CIM Information: Prefix: PLAT and ID: 0137

SNMP Trap ID: 41

Automatically notify Support: No

User response: Information only; no action is required.

816f030c-2011ffff Scrub Failure for [PhysicalMemoryElementName] on Subsystem [MemoryElementName] has recovered.

Explanation: A Memory Scrub failure detected during boot has recovered.

May also be shown as 816f030c2011ffff or 0x816f030c2011ffff

Severity: Info

Alert Category: Critical - Memory

Serviceable: No

CIM Information: Prefix: PLAT and ID: 0137

SNMP Trap ID: 41

Automatically notify Support: No

User response: Information only; no action is required.

816f030c-2012ffff Scrub Failure for [PhysicalMemoryElementName] on Subsystem [MemoryElementName] has recovered.

Explanation: A Memory Scrub failure detected during boot has recovered.

May also be shown as 816f030c2012ffff or 0x816f030c2012ffff

Severity: Info

Alert Category: Critical - Memory

Serviceable: No

CIM Information: Prefix: PLAT and ID: 0137

SNMP Trap ID: 41

Automatically notify Support: No

User response: Information only; no action is required.

816f030c-2013ffff Scrub Failure for [PhysicalMemoryElementName] on Subsystem [MemoryElementName] has recovered.

Explanation: A Memory Scrub failure detected during boot has recovered.

May also be shown as 816f030c2013ffff or 0x816f030c2013ffff

Severity: Info

Alert Category: Critical - Memory

816f030c-2014ffff • 816f030c-2016ffff

Serviceable: No

CIM Information: Prefix: PLAT and ID: 0137

SNMP Trap ID: 41

Automatically notify Support: No

User response: Information only; no action is required.

816f030c-2014ffff Scrub Failure for [PhysicalMemoryElementName] on Subsystem [MemoryElementName] has recovered.

Explanation: A Memory Scrub failure detected during boot has recovered.

May also be shown as 816f030c2014ffff or 0x816f030c2014ffff

Severity: Info

Alert Category: Critical - Memory

Serviceable: No

CIM Information: Prefix: PLAT and ID: 0137

SNMP Trap ID: 41

Automatically notify Support: No

User response: Information only; no action is required.

816f030c-2015ffff Scrub Failure for [PhysicalMemoryElementName] on Subsystem [MemoryElementName] has recovered.

Explanation: A Memory Scrub failure detected during boot has recovered.

May also be shown as 816f030c2015ffff or 0x816f030c2015ffff

Severity: Info

Alert Category: Critical - Memory

Serviceable: No

CIM Information: Prefix: PLAT and ID: 0137

SNMP Trap ID: 41

Automatically notify Support: No

User response: Information only; no action is required.

816f030c-2016ffff Scrub Failure for [PhysicalMemoryElementName] on Subsystem [MemoryElementName] has recovered.

Explanation: A Memory Scrub failure detected during boot has recovered.

May also be shown as 816f030c2016ffff or 0x816f030c2016ffff

Severity: Info

Alert Category: Critical - Memory

Serviceable: No

CIM Information: Prefix: PLAT and ID: 0137

SNMP Trap ID: 41

Automatically notify Support: No

User response: Information only; no action is required.

816f030c-2017ffff Scrub Failure for [PhysicalMemoryElementName] on Subsystem [MemoryElementName] has recovered.

Explanation: A Memory Scrub failure detected during boot has recovered.

May also be shown as 816f030c2017ffff or 0x816f030c2017ffff

Severity: Info

Alert Category: Critical - Memory

Serviceable: No

CIM Information: Prefix: PLAT and ID: 0137

SNMP Trap ID: 41

Automatically notify Support: No

User response: Information only; no action is required.

816f030c-2018ffff Scrub Failure for [PhysicalMemoryElementName] on Subsystem [MemoryElementName] has recovered.

Explanation: A Memory Scrub failure detected during boot has recovered.

May also be shown as 816f030c2018ffff or 0x816f030c2018ffff

Severity: Info

Alert Category: Critical - Memory

Serviceable: No

CIM Information: Prefix: PLAT and ID: 0137

SNMP Trap ID: 41

Automatically notify Support: No

User response: Information only; no action is required.

816f030c-2019ffff Scrub Failure for [PhysicalMemoryElementName] on Subsystem [MemoryElementName] has recovered.

Explanation: A Memory Scrub failure detected during boot has recovered.

May also be shown as 816f030c2019ffff or 0x816f030c2019ffff

Severity: Info

Alert Category: Critical - Memory

Serviceable: No

CIM Information: Prefix: PLAT and ID: 0137

SNMP Trap ID: 41

Automatically notify Support: No

User response: Information only; no action is required.

816f030c-201affff Scrub Failure for [PhysicalMemoryElementName] on Subsystem [MemoryElementName] has recovered.

Explanation: A Memory Scrub failure detected during boot has recovered.

May also be shown as 816f030c201affff or 0x816f030c201affff

Severity: Info

Alert Category: Critical - Memory

816f030c-201bffff • 816f030c-201dffff

Serviceable: No

CIM Information: Prefix: PLAT and ID: 0137

SNMP Trap ID: 41

Automatically notify Support: No

User response: Information only; no action is required.

816f030c-201bffff Scrub Failure for [PhysicalMemoryElementName] on Subsystem [MemoryElementName] has recovered.

Explanation: A Memory Scrub failure detected during boot has recovered.

May also be shown as 816f030c201bffff or 0x816f030c201bffff

Severity: Info

Alert Category: Critical - Memory

Serviceable: No

CIM Information: Prefix: PLAT and ID: 0137

SNMP Trap ID: 41

Automatically notify Support: No

User response: Information only; no action is required.

816f030c-201cffff Scrub Failure for [PhysicalMemoryElementName] on Subsystem [MemoryElementName] has recovered.

Explanation: A Memory Scrub failure detected during boot has recovered.

May also be shown as 816f030c201cffff or 0x816f030c201cffff

Severity: Info

Alert Category: Critical - Memory

Serviceable: No

CIM Information: Prefix: PLAT and ID: 0137

SNMP Trap ID: 41

Automatically notify Support: No

User response: Information only; no action is required.

816f030c-201dffff Scrub Failure for [PhysicalMemoryElementName] on Subsystem [MemoryElementName] has recovered.

Explanation: A Memory Scrub failure detected during boot has recovered.

May also be shown as 816f030c201dffff or 0x816f030c201dffff

Severity: Info

Alert Category: Critical - Memory

Serviceable: No

CIM Information: Prefix: PLAT and ID: 0137

SNMP Trap ID: 41

Automatically notify Support: No

User response: Information only; no action is required.

816f030c-201effff Scrub Failure for [PhysicalMemoryElementName] on Subsystem [MemoryElementName] has recovered.

Explanation: A Memory Scrub failure detected during boot has recovered.

May also be shown as 816f030c201effff or 0x816f030c201effff

Severity: Info

Alert Category: Critical - Memory

Serviceable: No

CIM Information: Prefix: PLAT and ID: 0137

SNMP Trap ID: 41

Automatically notify Support: No

User response: Information only; no action is required.

816f030c-201fffff Scrub Failure for [PhysicalMemoryElementName] on Subsystem [MemoryElementName] has recovered.

Explanation: A Memory Scrub failure detected during boot has recovered.

May also be shown as 816f030c201fffff or 0x816f030c201fffff

Severity: Info

Alert Category: Critical - Memory

Serviceable: No

CIM Information: Prefix: PLAT and ID: 0137

SNMP Trap ID: 41

Automatically notify Support: No

User response: Information only; no action is required.

816f030c-2020ffff Scrub Failure for [PhysicalMemoryElementName] on Subsystem [MemoryElementName] has recovered.

Explanation: A Memory Scrub failure detected during boot has recovered.

May also be shown as 816f030c2020ffff or 0x816f030c2020ffff

Severity: Info

Alert Category: Critical - Memory

Serviceable: No

CIM Information: Prefix: PLAT and ID: 0137

SNMP Trap ID: 41

Automatically notify Support: No

User response: Information only; no action is required.

816f030c-2021ffff Scrub Failure for [PhysicalMemoryElementName] on Subsystem [MemoryElementName] has recovered.

Explanation: A Memory Scrub failure detected during boot has recovered.

May also be shown as 816f030c2021ffff or 0x816f030c2021ffff

Severity: Info

Alert Category: Critical - Memory

816f030c-2022ffff • 816f030c-2024ffff

Serviceable: No

CIM Information: Prefix: PLAT and ID: 0137

SNMP Trap ID: 41

Automatically notify Support: No

User response: Information only; no action is required.

816f030c-2022ffff Scrub Failure for [PhysicalMemoryElementName] on Subsystem [MemoryElementName] has recovered.

Explanation: A Memory Scrub failure detected during boot has recovered.

May also be shown as 816f030c2022ffff or 0x816f030c2022ffff

Severity: Info

Alert Category: Critical - Memory

Serviceable: No

CIM Information: Prefix: PLAT and ID: 0137

SNMP Trap ID: 41

Automatically notify Support: No

User response: Information only; no action is required.

816f030c-2023ffff Scrub Failure for [PhysicalMemoryElementName] on Subsystem [MemoryElementName] has recovered.

Explanation: A Memory Scrub failure detected during boot has recovered.

May also be shown as 816f030c2023ffff or 0x816f030c2023ffff

Severity: Info

Alert Category: Critical - Memory

Serviceable: No

CIM Information: Prefix: PLAT and ID: 0137

SNMP Trap ID: 41

Automatically notify Support: No

User response: Information only; no action is required.

816f030c-2024ffff Scrub Failure for [PhysicalMemoryElementName] on Subsystem [MemoryElementName] has recovered.

Explanation: A Memory Scrub failure detected during boot has recovered.

May also be shown as 816f030c2024ffff or 0x816f030c2024ffff

Severity: Info

Alert Category: Critical - Memory

Serviceable: No

CIM Information: Prefix: PLAT and ID: 0137

SNMP Trap ID: 41

Automatically notify Support: No

User response: Information only; no action is required.

816f030c-2025ffff Scrub Failure for [PhysicalMemoryElementName] on Subsystem [MemoryElementName] has recovered.

Explanation: A Memory Scrub failure detected during boot has recovered.

May also be shown as 816f030c2025ffff or 0x816f030c2025ffff

Severity: Info

Alert Category: Critical - Memory

Serviceable: No

CIM Information: Prefix: PLAT and ID: 0137

SNMP Trap ID: 41

Automatically notify Support: No

User response: Information only; no action is required.

816f030c-2026ffff Scrub Failure for [PhysicalMemoryElementName] on Subsystem [MemoryElementName] has recovered.

Explanation: A Memory Scrub failure detected during boot has recovered.

May also be shown as 816f030c2026ffff or 0x816f030c2026ffff

Severity: Info

Alert Category: Critical - Memory

Serviceable: No

CIM Information: Prefix: PLAT and ID: 0137

SNMP Trap ID: 41

Automatically notify Support: No

User response: Information only; no action is required.

816f030c-2027ffff Scrub Failure for [PhysicalMemoryElementName] on Subsystem [MemoryElementName] has recovered.

Explanation: A Memory Scrub failure detected during boot has recovered.

May also be shown as 816f030c2027ffff or 0x816f030c2027ffff

Severity: Info

Alert Category: Critical - Memory

Serviceable: No

CIM Information: Prefix: PLAT and ID: 0137

SNMP Trap ID: 41

Automatically notify Support: No

User response: Information only; no action is required.

816f030c-2028ffff Scrub Failure for [PhysicalMemoryElementName] on Subsystem [MemoryElementName] has recovered.

Explanation: A Memory Scrub failure detected during boot has recovered.

May also be shown as 816f030c2028ffff or 0x816f030c2028ffff

Severity: Info

Alert Category: Critical - Memory

816f030c-2029ffff • 816f030c-202bffff

Serviceable: No

CIM Information: Prefix: PLAT and ID: 0137

SNMP Trap ID: 41

Automatically notify Support: No

User response: Information only; no action is required.

816f030c-2029ffff Scrub Failure for [PhysicalMemoryElementName] on Subsystem [MemoryElementName] has recovered.

Explanation: A Memory Scrub failure detected during boot has recovered.

May also be shown as 816f030c2029ffff or 0x816f030c2029ffff

Severity: Info

Alert Category: Critical - Memory

Serviceable: No

CIM Information: Prefix: PLAT and ID: 0137

SNMP Trap ID: 41

Automatically notify Support: No

User response: Information only; no action is required.

816f030c-202affff Scrub Failure for [PhysicalMemoryElementName] on Subsystem [MemoryElementName] has recovered.

Explanation: A Memory Scrub failure detected during boot has recovered.

May also be shown as 816f030c202affff or 0x816f030c202affff

Severity: Info

Alert Category: Critical - Memory

Serviceable: No

CIM Information: Prefix: PLAT and ID: 0137

SNMP Trap ID: 41

Automatically notify Support: No

User response: Information only; no action is required.

816f030c-202bffff Scrub Failure for [PhysicalMemoryElementName] on Subsystem [MemoryElementName] has recovered.

Explanation: A Memory Scrub failure detected during boot has recovered.

May also be shown as 816f030c202bffff or 0x816f030c202bffff

Severity: Info

Alert Category: Critical - Memory

Serviceable: No

CIM Information: Prefix: PLAT and ID: 0137

SNMP Trap ID: 41

Automatically notify Support: No

User response: Information only; no action is required.

816f030c-202cffff Scrub Failure for [PhysicalMemoryElementName] on Subsystem [MemoryElementName] has recovered.

Explanation: A Memory Scrub failure detected during boot has recovered.

May also be shown as 816f030c202cffff or 0x816f030c202cffff

Severity: Info

Alert Category: Critical - Memory

Serviceable: No

CIM Information: Prefix: PLAT and ID: 0137

SNMP Trap ID: 41

Automatically notify Support: No

User response: Information only; no action is required.

816f030c-202dffff Scrub Failure for [PhysicalMemoryElementName] on Subsystem [MemoryElementName] has recovered.

Explanation: A Memory Scrub failure detected during boot has recovered.

May also be shown as 816f030c202dffff or 0x816f030c202dffff

Severity: Info

Alert Category: Critical - Memory

Serviceable: No

CIM Information: Prefix: PLAT and ID: 0137

SNMP Trap ID: 41

Automatically notify Support: No

User response: Information only; no action is required.

816f030c-202effff Scrub Failure for [PhysicalMemoryElementName] on Subsystem [MemoryElementName] has recovered.

Explanation: A Memory Scrub failure detected during boot has recovered.

May also be shown as 816f030c202effff or 0x816f030c202effff

Severity: Info

Alert Category: Critical - Memory

Serviceable: No

CIM Information: Prefix: PLAT and ID: 0137

SNMP Trap ID: 41

Automatically notify Support: No

User response: Information only; no action is required.

816f030c-202fffff Scrub Failure for [PhysicalMemoryElementName] on Subsystem [MemoryElementName] has recovered.

Explanation: A Memory Scrub failure detected during boot has recovered.

May also be shown as 816f030c202fffff or 0x816f030c202fffff

Severity: Info

Alert Category: Critical - Memory

816f030c-2030ffff • 816f030d-0400ffff

Serviceable: No

CIM Information: Prefix: PLAT and ID: 0137

SNMP Trap ID: 41

Automatically notify Support: No

User response: Information only; no action is required.

816f030c-2030ffff Scrub Failure for [PhysicalMemoryElementName] on Subsystem [MemoryElementName] has recovered.

Explanation: A Memory Scrub failure detected during boot has recovered.

May also be shown as 816f030c2030ffff or 0x816f030c2030ffff

Severity: Info

Alert Category: Critical - Memory

Serviceable: No

CIM Information: Prefix: PLAT and ID: 0137

SNMP Trap ID: 41

Automatically notify Support: No

User response: Information only; no action is required.

816f030c-2581ffff Scrub Failure for [PhysicalMemoryElementName] on Subsystem [MemoryElementName] has recovered.

Explanation: A Memory Scrub failure detected during boot has recovered on All DIMMs or One of the DIMMs.

May also be shown as 816f030c2581ffff or 0x816f030c2581ffff

Severity: Info

Alert Category: Critical - Memory

Serviceable: No

CIM Information: Prefix: PLAT and ID: 0137

SNMP Trap ID: 41

Automatically notify Support: No

User response: Information only; no action is required.

816f030d-0400ffff Hot spare disabled for [ComputerSystemElementName].

Explanation: A hot spare drive is not available.

May also be shown as 816f030d0400ffff or 0x816f030d0400ffff

Severity: Info

Alert Category: System - Other

Serviceable: No

CIM Information: Prefix: PLAT and ID: 0171

SNMP Trap ID:

Automatically notify Support: No

User response: Information only; no action is required.

816f030d-0401ffff Hot spare disabled for [ComputerSystemElementName].

Explanation: A hot spare drive is not available.

May also be shown as 816f030d0401ffff or 0x816f030d0401ffff

Severity: Info

Alert Category: System - Other

Serviceable: No

CIM Information: Prefix: PLAT and ID: 0171

SNMP Trap ID:

Automatically notify Support: No

User response: Information only; no action is required.

816f030d-0402ffff Hot spare disabled for [ComputerSystemElementName].

Explanation: A hot spare drive is not available.

May also be shown as 816f030d0402ffff or 0x816f030d0402ffff

Severity: Info

Alert Category: System - Other

Serviceable: No

CIM Information: Prefix: PLAT and ID: 0171

SNMP Trap ID:

Automatically notify Support: No

User response: Information only; no action is required.

816f030d-0403ffff Hot spare disabled for [ComputerSystemElementName].

Explanation: A hot spare drive is not available.

May also be shown as 816f030d0403ffff or 0x816f030d0403ffff

Severity: Info

Alert Category: System - Other

Serviceable: No

CIM Information: Prefix: PLAT and ID: 0171

SNMP Trap ID:

Automatically notify Support: No

User response: Information only; no action is required.

816f030d-0404ffff Hot spare disabled for [ComputerSystemElementName].

Explanation: A hot spare drive is not available.

May also be shown as 816f030d0404ffff or 0x816f030d0404ffff

Severity: Info

Alert Category: System - Other

Serviceable: No

CIM Information: Prefix: PLAT and ID: 0171

816f030d-0405ffff • 816f0313-1701ffff

SNMP Trap ID:

Automatically notify Support: No

User response: Information only; no action is required.

816f030d-0405ffff Hot spare disabled for [ComputerSystemElementName].

Explanation: A hot spare drive is not available.

May also be shown as 816f030d0405ffff or 0x816f030d0405ffff

Severity: Info

Alert Category: System - Other

Serviceable: No

CIM Information: Prefix: PLAT and ID: 0171

SNMP Trap ID:

Automatically notify Support: No

User response: Information only; no action is required.

816f030d-0406ffff Hot spare disabled for [ComputerSystemElementName].

Explanation: A hot spare drive is not available.

May also be shown as 816f030d0406ffff or 0x816f030d0406ffff

Severity: Info

Alert Category: System - Other

Serviceable: No

CIM Information: Prefix: PLAT and ID: 0171

SNMP Trap ID:

Automatically notify Support: No

User response: Information only; no action is required.

816f030d-0407ffff Hot spare disabled for [ComputerSystemElementName].

Explanation: A hot spare drive is not available.

May also be shown as 816f030d0407ffff or 0x816f030d0407ffff

Severity: Info

Alert Category: System - Other

Serviceable: No

CIM Information: Prefix: PLAT and ID: 0171

SNMP Trap ID:

Automatically notify Support: No

User response: Information only; no action is required.

816f0313-1701ffff System [ComputerSystemElementName] has recovered from an NMI.

Explanation: A Software NMI has recovered.

May also be shown as 816f03131701ffff or 0x816f03131701ffff

Severity: Info

Alert Category: Critical - Other

Serviceable: No

CIM Information: **Prefix:** PLAT and **ID:** 0230

SNMP Trap ID: 50

Automatically notify Support: No

User response: Information only; no action is required.

816f032b-2101ffff The firmware or software on system [ComputerSystemElementName]are compatible.

Explanation: The Firmware and Software are compatibile.

May also be shown as 816f032b2101ffff or 0x816f032b2101ffff

Severity: Info

Alert Category: Critical - Hardware Incompatibility

Serviceable: No

CIM Information: **Prefix:** PLAT and **ID:** 0443

SNMP Trap ID: 36

Automatically notify Support: No

User response: Information only; no action is required.

816f040c-2001ffff [PhysicalMemoryElementName] Enabled on Subsystem [MemoryElementName].

Explanation: Memory has been enabled.

May also be shown as 816f040c2001ffff or 0x816f040c2001ffff

Severity: Info

Alert Category: System - Other

Serviceable: No

CIM Information: **Prefix:** PLAT and **ID:** 0130

SNMP Trap ID:

Automatically notify Support: No

User response: Information only; no action is required.

816f040c-2002ffff [PhysicalMemoryElementName] Enabled on Subsystem [MemoryElementName].

Explanation: Memory has been enabled.

May also be shown as 816f040c2002ffff or 0x816f040c2002ffff

Severity: Info

Alert Category: System - Other

Serviceable: No

CIM Information: **Prefix:** PLAT and **ID:** 0130

SNMP Trap ID:

Automatically notify Support: No

User response: Information only; no action is required.

816f040c-2003ffff • 816f040c-2006ffff

816f040c-2003ffff [PhysicalMemoryElementName] Enabled on Subsystem [MemoryElementName].

Explanation: Memory has been enabled.

May also be shown as 816f040c2003ffff or 0x816f040c2003ffff

Severity: Info

Alert Category: System - Other

Serviceable: No

CIM Information: Prefix: PLAT and ID: 0130

SNMP Trap ID:

Automatically notify Support: No

User response: Information only; no action is required.

816f040c-2004ffff [PhysicalMemoryElementName] Enabled on Subsystem [MemoryElementName].

Explanation: Memory has been enabled.

May also be shown as 816f040c2004ffff or 0x816f040c2004ffff

Severity: Info

Alert Category: System - Other

Serviceable: No

CIM Information: Prefix: PLAT and ID: 0130

SNMP Trap ID:

Automatically notify Support: No

User response: Information only; no action is required.

816f040c-2005ffff [PhysicalMemoryElementName] Enabled on Subsystem [MemoryElementName].

Explanation: Memory has been enabled.

May also be shown as 816f040c2005ffff or 0x816f040c2005ffff

Severity: Info

Alert Category: System - Other

Serviceable: No

CIM Information: Prefix: PLAT and ID: 0130

SNMP Trap ID:

Automatically notify Support: No

User response: Information only; no action is required.

816f040c-2006ffff [PhysicalMemoryElementName] Enabled on Subsystem [MemoryElementName].

Explanation: Memory has been enabled.

May also be shown as 816f040c2006ffff or 0x816f040c2006ffff

Severity: Info

Alert Category: System - Other

Serviceable: No

CIM Information: Prefix: PLAT and ID: 0130

SNMP Trap ID:

Automatically notify Support: No

User response: Information only; no action is required.

816f040c-2007ffff [PhysicalMemoryElementName] Enabled on Subsystem [MemoryElementName].

Explanation: Memory has been enabled.

May also be shown as 816f040c2007ffff or 0x816f040c2007ffff

Severity: Info

Alert Category: System - Other

Serviceable: No

CIM Information: Prefix: PLAT and ID: 0130

SNMP Trap ID:

Automatically notify Support: No

User response: Information only; no action is required.

816f040c-2008ffff [PhysicalMemoryElementName] Enabled on Subsystem [MemoryElementName].

Explanation: Memory has been enabled.

May also be shown as 816f040c2008ffff or 0x816f040c2008ffff

Severity: Info

Alert Category: System - Other

Serviceable: No

CIM Information: Prefix: PLAT and ID: 0130

SNMP Trap ID:

Automatically notify Support: No

User response: Information only; no action is required.

816f040c-2009ffff [PhysicalMemoryElementName] Enabled on Subsystem [MemoryElementName].

Explanation: Memory has been enabled.

May also be shown as 816f040c2009ffff or 0x816f040c2009ffff

Severity: Info

Alert Category: System - Other

Serviceable: No

CIM Information: Prefix: PLAT and ID: 0130

SNMP Trap ID:

Automatically notify Support: No

User response: Information only; no action is required.

816f040c-200affff [PhysicalMemoryElementName] Enabled on Subsystem [MemoryElementName].

Explanation: Memory has been enabled.

May also be shown as 816f040c200affff or 0x816f040c200affff

Severity: Info

816f040c-200bffff • 816f040c-200dffff

Alert Category: System - Other

Serviceable: No

CIM Information: Prefix: PLAT and ID: 0130

SNMP Trap ID:

Automatically notify Support: No

User response: Information only; no action is required.

816f040c-200bffff [PhysicalMemoryElementName] Enabled on Subsystem [MemoryElementName].

Explanation: Memory has been enabled.

May also be shown as 816f040c200bffff or 0x816f040c200bffff

Severity: Info

Alert Category: System - Other

Serviceable: No

CIM Information: Prefix: PLAT and ID: 0130

SNMP Trap ID:

Automatically notify Support: No

User response: Information only; no action is required.

816f040c-200cffff [PhysicalMemoryElementName] Enabled on Subsystem [MemoryElementName].

Explanation: Memory has been enabled.

May also be shown as 816f040c200cffff or 0x816f040c200cffff

Severity: Info

Alert Category: System - Other

Serviceable: No

CIM Information: Prefix: PLAT and ID: 0130

SNMP Trap ID:

Automatically notify Support: No

User response: Information only; no action is required.

816f040c-200dffff [PhysicalMemoryElementName] Enabled on Subsystem [MemoryElementName].

Explanation: Memory has been enabled.

May also be shown as 816f040c200dffff or 0x816f040c200dffff

Severity: Info

Alert Category: System - Other

Serviceable: No

CIM Information: Prefix: PLAT and ID: 0130

SNMP Trap ID:

Automatically notify Support: No

User response: Information only; no action is required.

816f040c-200effff [PhysicalMemoryElementName] Enabled on Subsystem [MemoryElementName].

Explanation: Memory has been enabled.

May also be shown as 816f040c200effff or 0x816f040c200effff

Severity: Info

Alert Category: System - Other

Serviceable: No

CIM Information: Prefix: PLAT and ID: 0130

SNMP Trap ID:

Automatically notify Support: No

User response: Information only; no action is required.

816f040c-200fffff [PhysicalMemoryElementName] Enabled on Subsystem [MemoryElementName].

Explanation: Memory has been enabled.

May also be shown as 816f040c200fffff or 0x816f040c200fffff

Severity: Info

Alert Category: System - Other

Serviceable: No

CIM Information: Prefix: PLAT and ID: 0130

SNMP Trap ID:

Automatically notify Support: No

User response: Information only; no action is required.

816f040c-2010ffff [PhysicalMemoryElementName] Enabled on Subsystem [MemoryElementName].

Explanation: Memory has been enabled.

May also be shown as 816f040c2010ffff or 0x816f040c2010ffff

Severity: Info

Alert Category: System - Other

Serviceable: No

CIM Information: Prefix: PLAT and ID: 0130

SNMP Trap ID:

Automatically notify Support: No

User response: Information only; no action is required.

816f040c-2011ffff [PhysicalMemoryElementName] Enabled on Subsystem [MemoryElementName].

Explanation: Memory has been enabled.

May also be shown as 816f040c2011ffff or 0x816f040c2011ffff

Severity: Info

Alert Category: System - Other

Serviceable: No

CIM Information: Prefix: PLAT and ID: 0130

816f040c-2012ffff • 816f040c-2015ffff

SNMP Trap ID:

Automatically notify Support: No

User response: Information only; no action is required.

816f040c-2012ffff [PhysicalMemoryElementName] Enabled on Subsystem [MemoryElementName].

Explanation: Memory has been enabled.

May also be shown as 816f040c2012ffff or 0x816f040c2012ffff

Severity: Info

Alert Category: System - Other

Serviceable: No

CIM Information: Prefix: PLAT and ID: 0130

SNMP Trap ID:

Automatically notify Support: No

User response: Information only; no action is required.

816f040c-2013ffff [PhysicalMemoryElementName] Enabled on Subsystem [MemoryElementName].

Explanation: Memory has been enabled.

May also be shown as 816f040c2013ffff or 0x816f040c2013ffff

Severity: Info

Alert Category: System - Other

Serviceable: No

CIM Information: Prefix: PLAT and ID: 0130

SNMP Trap ID:

Automatically notify Support: No

User response: Information only; no action is required.

816f040c-2014ffff [PhysicalMemoryElementName] Enabled on Subsystem [MemoryElementName].

Explanation: Memory has been enabled.

May also be shown as 816f040c2014ffff or 0x816f040c2014ffff

Severity: Info

Alert Category: System - Other

Serviceable: No

CIM Information: Prefix: PLAT and ID: 0130

SNMP Trap ID:

Automatically notify Support: No

User response: Information only; no action is required.

816f040c-2015ffff [PhysicalMemoryElementName] Enabled on Subsystem [MemoryElementName].

Explanation: Memory has been enabled.

May also be shown as 816f040c2015ffff or 0x816f040c2015ffff

Severity: Info

Alert Category: System - Other

Serviceable: No

CIM Information: Prefix: PLAT and ID: 0130

SNMP Trap ID:

Automatically notify Support: No

User response: Information only; no action is required.

816f040c-2016ffff [PhysicalMemoryElementName] Enabled on Subsystem [MemoryElementName].

Explanation: Memory has been enabled.

May also be shown as 816f040c2016ffff or 0x816f040c2016ffff

Severity: Info

Alert Category: System - Other

Serviceable: No

CIM Information: Prefix: PLAT and ID: 0130

SNMP Trap ID:

Automatically notify Support: No

User response: Information only; no action is required.

816f040c-2017ffff [PhysicalMemoryElementName] Enabled on Subsystem [MemoryElementName].

Explanation: Memory has been enabled.

May also be shown as 816f040c2017ffff or 0x816f040c2017ffff

Severity: Info

Alert Category: System - Other

Serviceable: No

CIM Information: Prefix: PLAT and ID: 0130

SNMP Trap ID:

Automatically notify Support: No

User response: Information only; no action is required.

816f040c-2018ffff [PhysicalMemoryElementName] Enabled on Subsystem [MemoryElementName].

Explanation: Memory has been enabled.

May also be shown as 816f040c2018ffff or 0x816f040c2018ffff

Severity: Info

Alert Category: System - Other

Serviceable: No

CIM Information: Prefix: PLAT and ID: 0130

SNMP Trap ID:

Automatically notify Support: No

User response: Information only; no action is required.

816f040c-2019ffff • 816f040c-201cffff

816f040c-2019ffff [PhysicalMemoryElementName] Enabled on Subsystem [MemoryElementName].

Explanation: Memory has been enabled.

May also be shown as 816f040c2019ffff or 0x816f040c2019ffff

Severity: Info

Alert Category: System - Other

Serviceable: No

CIM Information: Prefix: PLAT and ID: 0130

SNMP Trap ID:

Automatically notify Support: No

User response: Information only; no action is required.

816f040c-201affff [PhysicalMemoryElementName] Enabled on Subsystem [MemoryElementName].

Explanation: Memory has been enabled.

May also be shown as 816f040c201affff or 0x816f040c201affff

Severity: Info

Alert Category: System - Other

Serviceable: No

CIM Information: Prefix: PLAT and ID: 0130

SNMP Trap ID:

Automatically notify Support: No

User response: Information only; no action is required.

816f040c-201bffff [PhysicalMemoryElementName] Enabled on Subsystem [MemoryElementName].

Explanation: Memory has been enabled.

May also be shown as 816f040c201bffff or 0x816f040c201bffff

Severity: Info

Alert Category: System - Other

Serviceable: No

CIM Information: Prefix: PLAT and ID: 0130

SNMP Trap ID:

Automatically notify Support: No

User response: Information only; no action is required.

816f040c-201cffff [PhysicalMemoryElementName] Enabled on Subsystem [MemoryElementName].

Explanation: Memory has been enabled.

May also be shown as 816f040c201cffff or 0x816f040c201cffff

Severity: Info

Alert Category: System - Other

Serviceable: No

CIM Information: Prefix: PLAT and ID: 0130

SNMP Trap ID:

Automatically notify Support: No

User response: Information only; no action is required.

816f040c-201dffff [PhysicalMemoryElementName] Enabled on Subsystem [MemoryElementName].

Explanation: Memory has been enabled.

May also be shown as 816f040c201dffff or 0x816f040c201dffff

Severity: Info

Alert Category: System - Other

Serviceable: No

CIM Information: Prefix: PLAT and ID: 0130

SNMP Trap ID:

Automatically notify Support: No

User response: Information only; no action is required.

816f040c-201effff [PhysicalMemoryElementName] Enabled on Subsystem [MemoryElementName].

Explanation: Memory has been enabled.

May also be shown as 816f040c201effff or 0x816f040c201effff

Severity: Info

Alert Category: System - Other

Serviceable: No

CIM Information: Prefix: PLAT and ID: 0130

SNMP Trap ID:

Automatically notify Support: No

User response: Information only; no action is required.

816f040c-201fffff DIMM 31 Enabled on Subsystem [MemoryElementName].

Explanation: Memory has been enabled.

May also be shown as 816f040c201fffff or 0x816f040c201fffff

Severity: Info

Alert Category: System - Other

Serviceable: No

CIM Information: Prefix: PLAT and ID: 0130

SNMP Trap ID:

Automatically notify Support: No

User response: Information only; no action is required.

816f040c-2020ffff [PhysicalMemoryElementName] Enabled on Subsystem [MemoryElementName].

Explanation: Memory has been enabled.

May also be shown as 816f040c2020ffff or 0x816f040c2020ffff

Severity: Info

816f040c-2021ffff • 816f040c-2023ffff

Alert Category: System - Other

Serviceable: No

CIM Information: Prefix: PLAT and ID: 0130

SNMP Trap ID:

Automatically notify Support: No

User response: Information only; no action is required.

816f040c-2021ffff [PhysicalMemoryElementName] Enabled on Subsystem [MemoryElementName].

Explanation: Memory has been enabled.

May also be shown as 816f040c2021ffff or 0x816f040c2021ffff

Severity: Info

Alert Category: System - Other

Serviceable: No

CIM Information: Prefix: PLAT and ID: 0130

SNMP Trap ID:

Automatically notify Support: No

User response: Information only; no action is required.

816f040c-2022ffff [PhysicalMemoryElementName] Enabled on Subsystem [MemoryElementName].

Explanation: Memory has been enabled.

May also be shown as 816f040c2022ffff or 0x816f040c2022ffff

Severity: Info

Alert Category: System - Other

Serviceable: No

CIM Information: Prefix: PLAT and ID: 0130

SNMP Trap ID:

Automatically notify Support: No

User response: Information only; no action is required.

816f040c-2023ffff [PhysicalMemoryElementName] Enabled on Subsystem [MemoryElementName].

Explanation: Memory has been enabled.

May also be shown as 816f040c2023ffff or 0x816f040c2023ffff

Severity: Info

Alert Category: System - Other

Serviceable: No

CIM Information: Prefix: PLAT and ID: 0130

SNMP Trap ID:

Automatically notify Support: No

User response: Information only; no action is required.

816f040c-2024ffff [PhysicalMemoryElementName] Enabled on Subsystem [MemoryElementName].

Explanation: Memory has been enabled.

May also be shown as 816f040c2024ffff or 0x816f040c2024ffff

Severity: Info

Alert Category: System - Other

Serviceable: No

CIM Information: Prefix: PLAT and ID: 0130

SNMP Trap ID:

Automatically notify Support: No

User response: Information only; no action is required.

816f040c-2025ffff [PhysicalMemoryElementName] Enabled on Subsystem [MemoryElementName].

Explanation: Memory has been enabled.

May also be shown as 816f040c2025ffff or 0x816f040c2025ffff

Severity: Info

Alert Category: System - Other

Serviceable: No

CIM Information: Prefix: PLAT and ID: 0130

SNMP Trap ID:

Automatically notify Support: No

User response: Information only; no action is required.

816f040c-2026ffff [PhysicalMemoryElementName] Enabled on Subsystem [MemoryElementName].

Explanation: Memory has been enabled.

May also be shown as 816f040c2026ffff or 0x816f040c2026ffff

Severity: Info

Alert Category: System - Other

Serviceable: No

CIM Information: Prefix: PLAT and ID: 0130

SNMP Trap ID:

Automatically notify Support: No

User response: Information only; no action is required.

816f040c-2027ffff [PhysicalMemoryElementName] Enabled on Subsystem [MemoryElementName].

Explanation: Memory has been enabled.

May also be shown as 816f040c2027ffff or 0x816f040c2027ffff

Severity: Info

Alert Category: System - Other

Serviceable: No

CIM Information: Prefix: PLAT and ID: 0130

816f040c-2028ffff • 816f040c-202bffff

SNMP Trap ID:

Automatically notify Support: No

User response: Information only; no action is required.

816f040c-2028ffff [PhysicalMemoryElementName] Enabled on Subsystem [MemoryElementName].

Explanation: Memory has been enabled.

May also be shown as 816f040c2028ffff or 0x816f040c2028ffff

Severity: Info

Alert Category: System - Other

Serviceable: No

CIM Information: Prefix: PLAT and ID: 0130

SNMP Trap ID:

Automatically notify Support: No

User response: Information only; no action is required.

816f040c-2029ffff [PhysicalMemoryElementName] Enabled on Subsystem [MemoryElementName].

Explanation: Memory has been enabled.

May also be shown as 816f040c2029ffff or 0x816f040c2029ffff

Severity: Info

Alert Category: System - Other

Serviceable: No

CIM Information: Prefix: PLAT and ID: 0130

SNMP Trap ID:

Automatically notify Support: No

User response: Information only; no action is required.

816f040c-202affff [PhysicalMemoryElementName] Enabled on Subsystem [MemoryElementName].

Explanation: Memory has been enabled.

May also be shown as 816f040c202affff or 0x816f040c202affff

Severity: Info

Alert Category: System - Other

Serviceable: No

CIM Information: Prefix: PLAT and ID: 0130

SNMP Trap ID:

Automatically notify Support: No

User response: Information only; no action is required.

816f040c-202bffff [PhysicalMemoryElementName] Enabled on Subsystem [MemoryElementName].

Explanation: Memory has been enabled.

May also be shown as 816f040c202bffff or 0x816f040c202bffff

Severity: Info

Alert Category: System - Other

Serviceable: No

CIM Information: Prefix: PLAT and ID: 0130

SNMP Trap ID:

Automatically notify Support: No

User response: Information only; no action is required.

816f040c-202cffff [PhysicalMemoryElementName] Enabled on Subsystem [MemoryElementName].

Explanation: Memory has been enabled.

May also be shown as 816f040c202cffff or 0x816f040c202cffff

Severity: Info

Alert Category: System - Other

Serviceable: No

CIM Information: Prefix: PLAT and ID: 0130

SNMP Trap ID:

Automatically notify Support: No

User response: Information only; no action is required.

816f040c-202dffff [PhysicalMemoryElementName] Enabled on Subsystem [MemoryElementName].

Explanation: Memory has been enabled.

May also be shown as 816f040c202dffff or 0x816f040c202dffff

Severity: Info

Alert Category: System - Other

Serviceable: No

CIM Information: Prefix: PLAT and ID: 0130

SNMP Trap ID:

Automatically notify Support: No

User response: Information only; no action is required.

816f040c-202effff [PhysicalMemoryElementName] Enabled on Subsystem [MemoryElementName].

Explanation: Memory has been enabled.

May also be shown as 816f040c202effff or 0x816f040c202effff

Severity: Info

Alert Category: System - Other

Serviceable: No

CIM Information: Prefix: PLAT and ID: 0130

SNMP Trap ID:

Automatically notify Support: No

User response: Information only; no action is required.

816f040c-202ffff • 816f0413-2582ffff

816f040c-202ffff [PhysicalMemoryElementName] Enabled on Subsystem [MemoryElementName].

Explanation: Memory has been enabled.

May also be shown as 816f040c202ffff or 0x816f040c202ffff

Severity: Info

Alert Category: System - Other

Serviceable: No

CIM Information: Prefix: PLAT and ID: 0130

SNMP Trap ID:

Automatically notify Support: No

User response: Information only; no action is required.

816f040c-2030ffff [PhysicalMemoryElementName] Enabled on Subsystem [MemoryElementName].

Explanation: Memory has been enabled.

May also be shown as 816f040c2030ffff or 0x816f040c2030ffff

Severity: Info

Alert Category: System - Other

Serviceable: No

CIM Information: Prefix: PLAT and ID: 0130

SNMP Trap ID:

Automatically notify Support: No

User response: Information only; no action is required.

816f040c-2581ffff [PhysicalMemoryElementName] Enabled on Subsystem [MemoryElementName].

Explanation: Memory has been enabled. All DIMMs. One of the DIMMs.

May also be shown as 816f040c2581ffff or 0x816f040c2581ffff

Severity: Info

Alert Category: System - Other

Serviceable: No

CIM Information: Prefix: PLAT and ID: 0130

SNMP Trap ID:

Automatically notify Support: No

User response: Information only; no action is required.

816f0413-2582ffff A PCI PERR recovery has occurred on system [ComputerSystemElementName].

Explanation: A PCI Parity Error (PERR) has recovered. All PCI Error. One of PCI Error.

May also be shown as 816f04132582ffff or 0x816f04132582ffff

Severity: Info

Alert Category: Critical - Other

Serviceable: No

CIM Information: Prefix: PLAT and ID: 0233

SNMP Trap ID: 50

Automatically notify Support: No

User response: Information only; no action is required.

816f0507-0301ffff [ProcessorElementName] has Recovered from a Configuration Mismatch.

Explanation: A Processor Configuration Mismatch has recovered.

May also be shown as 816f05070301ffff or 0x816f05070301ffff

Severity: Info

Alert Category: Critical - CPU

Serviceable: No

CIM Information: Prefix: PLAT and ID: 0063

SNMP Trap ID: 40

Automatically notify Support: No

User response: Information only; no action is required.

816f0507-0302ffff [ProcessorElementName] has Recovered from a Configuration Mismatch.

Explanation: A Processor Configuration Mismatch has recovered.

May also be shown as 816f05070302ffff or 0x816f05070302ffff

Severity: Info

Alert Category: Critical - CPU

Serviceable: No

CIM Information: Prefix: PLAT and ID: 0063

SNMP Trap ID: 40

Automatically notify Support: No

User response: Information only; no action is required.

816f0507-2584ffff [ProcessorElementName] has Recovered from a Configuration Mismatch.

Explanation: A processor configuration mismatch has recovered. All CPUs. One of CPUs.

May also be shown as 816f05072584ffff or 0x816f05072584ffff

Severity: Info

Alert Category: Critical - CPU

Serviceable: No

CIM Information: Prefix: PLAT and ID: 0063

SNMP Trap ID: 40

Automatically notify Support: No

User response: Information only; no action is required.

816f050c-2001ffff Memory Logging Limit Removed for [PhysicalMemoryElementName] on Subsystem [MemoryElementName].

Explanation: The Memory Logging Limit has been Removed.

May also be shown as 816f050c2001ffff or 0x816f050c2001ffff

816f050c-2002ffff • 816f050c-2004ffff

Severity: Info

Alert Category: Warning - Memory

Serviceable: No

CIM Information: Prefix: PLAT and ID: 0145

SNMP Trap ID: 43

Automatically notify Support: No

User response: Information only; no action is required.

816f050c-2002ffff Memory Logging Limit Removed for [PhysicalMemoryElementName] on Subsystem [MemoryElementName].

Explanation: The Memory Logging Limit has been Removed.

May also be shown as 816f050c2002ffff or 0x816f050c2002ffff

Severity: Info

Alert Category: Warning - Memory

Serviceable: No

CIM Information: Prefix: PLAT and ID: 0145

SNMP Trap ID: 43

Automatically notify Support: No

User response: Information only; no action is required.

816f050c-2003ffff Memory Logging Limit Removed for [PhysicalMemoryElementName] on Subsystem [MemoryElementName].

Explanation: The Memory Logging Limit has been Removed.

May also be shown as 816f050c2003ffff or 0x816f050c2003ffff

Severity: Info

Alert Category: Warning - Memory

Serviceable: No

CIM Information: Prefix: PLAT and ID: 0145

SNMP Trap ID: 43

Automatically notify Support: No

User response: Information only; no action is required.

816f050c-2004ffff Memory Logging Limit Removed for [PhysicalMemoryElementName] on Subsystem [MemoryElementName].

Explanation: The Memory Logging Limit has been Removed.

May also be shown as 816f050c2004ffff or 0x816f050c2004ffff

Severity: Info

Alert Category: Warning - Memory

Serviceable: No

CIM Information: Prefix: PLAT and ID: 0145

SNMP Trap ID: 43

Automatically notify Support: No

User response: Information only; no action is required.

816f050c-2005ffff Memory Logging Limit Removed for [PhysicalMemoryElementName] on Subsystem [MemoryElementName].

Explanation: The Memory Logging Limit has been Removed.

May also be shown as 816f050c2005ffff or 0x816f050c2005ffff

Severity: Info

Alert Category: Warning - Memory

Serviceable: No

CIM Information: Prefix: PLAT and ID: 0145

SNMP Trap ID: 43

Automatically notify Support: No

User response: Information only; no action is required.

816f050c-2006ffff Memory Logging Limit Removed for [PhysicalMemoryElementName] on Subsystem [MemoryElementName].

Explanation: The Memory Logging Limit has been Removed.

May also be shown as 816f050c2006ffff or 0x816f050c2006ffff

Severity: Info

Alert Category: Warning - Memory

Serviceable: No

CIM Information: Prefix: PLAT and ID: 0145

SNMP Trap ID: 43

Automatically notify Support: No

User response: Information only; no action is required.

816f050c-2007ffff Memory Logging Limit Removed for [PhysicalMemoryElementName] on Subsystem [MemoryElementName].

Explanation: The Memory Logging Limit has been Removed.

May also be shown as 816f050c2007ffff or 0x816f050c2007ffff

Severity: Info

Alert Category: Warning - Memory

Serviceable: No

CIM Information: Prefix: PLAT and ID: 0145

SNMP Trap ID: 43

Automatically notify Support: No

User response: Information only; no action is required.

816f050c-2008ffff Memory Logging Limit Removed for [PhysicalMemoryElementName] on Subsystem [MemoryElementName].

Explanation: The Memory Logging Limit has been Removed.

May also be shown as 816f050c2008ffff or 0x816f050c2008ffff

Severity: Info

816f050c-2009ffff • 816f050c-200bffff

Alert Category: Warning - Memory

Serviceable: No

CIM Information: Prefix: PLAT and ID: 0145

SNMP Trap ID: 43

Automatically notify Support: No

User response: Information only; no action is required.

816f050c-2009ffff Memory Logging Limit Removed for [PhysicalMemoryElementName] on Subsystem [MemoryElementName].

Explanation: The Memory Logging Limit has been Removed.

May also be shown as 816f050c2009ffff or 0x816f050c2009ffff

Severity: Info

Alert Category: Warning - Memory

Serviceable: No

CIM Information: Prefix: PLAT and ID: 0145

SNMP Trap ID: 43

Automatically notify Support: No

User response: Information only; no action is required.

816f050c-200affff Memory Logging Limit Removed for [PhysicalMemoryElementName] on Subsystem [MemoryElementName].

Explanation: The Memory Logging Limit has been Removed.

May also be shown as 816f050c200affff or 0x816f050c200affff

Severity: Info

Alert Category: Warning - Memory

Serviceable: No

CIM Information: Prefix: PLAT and ID: 0145

SNMP Trap ID: 43

Automatically notify Support: No

User response: Information only; no action is required.

816f050c-200bffff Memory Logging Limit Removed for [PhysicalMemoryElementName] on Subsystem [MemoryElementName].

Explanation: The Memory Logging Limit has been Removed.

May also be shown as 816f050c200bffff or 0x816f050c200bffff

Severity: Info

Alert Category: Warning - Memory

Serviceable: No

CIM Information: Prefix: PLAT and ID: 0145

SNMP Trap ID: 43

Automatically notify Support: No

User response: Information only; no action is required.

816f050c-200cffff Memory Logging Limit Removed for [PhysicalMemoryElementName] on Subsystem [MemoryElementName].

Explanation: The Memory Logging Limit has been Removed.

May also be shown as 816f050c200cffff or 0x816f050c200cffff

Severity: Info

Alert Category: Warning - Memory

Serviceable: No

CIM Information: Prefix: PLAT and ID: 0145

SNMP Trap ID: 43

Automatically notify Support: No

User response: Information only; no action is required.

816f050c-200dffff Memory Logging Limit Removed for [PhysicalMemoryElementName] on Subsystem [MemoryElementName].

Explanation: The Memory Logging Limit has been Removed.

May also be shown as 816f050c200dffff or 0x816f050c200dffff

Severity: Info

Alert Category: Warning - Memory

Serviceable: No

CIM Information: Prefix: PLAT and ID: 0145

SNMP Trap ID: 43

Automatically notify Support: No

User response: Information only; no action is required.

816f050c-200effff Memory Logging Limit Removed for [PhysicalMemoryElementName] on Subsystem [MemoryElementName].

Explanation: The Memory Logging Limit has been Removed.

May also be shown as 816f050c200effff or 0x816f050c200effff

Severity: Info

Alert Category: Warning - Memory

Serviceable: No

CIM Information: Prefix: PLAT and ID: 0145

SNMP Trap ID: 43

Automatically notify Support: No

User response: Information only; no action is required.

816f050c-200fffff Memory Logging Limit Removed for [PhysicalMemoryElementName] on Subsystem [MemoryElementName].

Explanation: The Memory Logging Limit has been Removed.

May also be shown as 816f050c200fffff or 0x816f050c200fffff

Severity: Info

Alert Category: Warning - Memory

816f050c-2010ffff • 816f050c-2012ffff

Serviceable: No

CIM Information: Prefix: PLAT and ID: 0145

SNMP Trap ID: 43

Automatically notify Support: No

User response: Information only; no action is required.

816f050c-2010ffff Memory Logging Limit Removed for [PhysicalMemoryElementName] on Subsystem [MemoryElementName].

Explanation: The Memory Logging Limit has been Removed.

May also be shown as 816f050c2010ffff or 0x816f050c2010ffff

Severity: Info

Alert Category: Warning - Memory

Serviceable: No

CIM Information: Prefix: PLAT and ID: 0145

SNMP Trap ID: 43

Automatically notify Support: No

User response: Information only; no action is required.

816f050c-2011ffff Memory Logging Limit Removed for [PhysicalMemoryElementName] on Subsystem [MemoryElementName].

Explanation: The Memory Logging Limit has been Removed.

May also be shown as 816f050c2011ffff or 0x816f050c2011ffff

Severity: Info

Alert Category: Warning - Memory

Serviceable: No

CIM Information: Prefix: PLAT and ID: 0145

SNMP Trap ID: 43

Automatically notify Support: No

User response: Information only; no action is required.

816f050c-2012ffff Memory Logging Limit Removed for [PhysicalMemoryElementName] on Subsystem [MemoryElementName].

Explanation: The Memory Logging Limit has been Removed.

May also be shown as 816f050c2012ffff or 0x816f050c2012ffff

Severity: Info

Alert Category: Warning - Memory

Serviceable: No

CIM Information: Prefix: PLAT and ID: 0145

SNMP Trap ID: 43

Automatically notify Support: No

User response: Information only; no action is required.

816f050c-2013ffff Memory Logging Limit Removed for [PhysicalMemoryElementName] on Subsystem [MemoryElementName].

Explanation: The Memory Logging Limit has been Removed.

May also be shown as 816f050c2013ffff or 0x816f050c2013ffff

Severity: Info

Alert Category: Warning - Memory

Serviceable: No

CIM Information: Prefix: PLAT and ID: 0145

SNMP Trap ID: 43

Automatically notify Support: No

User response: Information only; no action is required.

816f050c-2014ffff Memory Logging Limit Removed for [PhysicalMemoryElementName] on Subsystem [MemoryElementName].

Explanation: The Memory Logging Limit has been Removed.

May also be shown as 816f050c2014ffff or 0x816f050c2014ffff

Severity: Info

Alert Category: Warning - Memory

Serviceable: No

CIM Information: Prefix: PLAT and ID: 0145

SNMP Trap ID: 43

Automatically notify Support: No

User response: Information only; no action is required.

816f050c-2015ffff Memory Logging Limit Removed for [PhysicalMemoryElementName] on Subsystem [MemoryElementName].

Explanation: The Memory Logging Limit has been Removed.

May also be shown as 816f050c2015ffff or 0x816f050c2015ffff

Severity: Info

Alert Category: Warning - Memory

Serviceable: No

CIM Information: Prefix: PLAT and ID: 0145

SNMP Trap ID: 43

Automatically notify Support: No

User response: Information only; no action is required.

816f050c-2016ffff Memory Logging Limit Removed for [PhysicalMemoryElementName] on Subsystem [MemoryElementName].

Explanation: The Memory Logging Limit has been Removed.

May also be shown as 816f050c2016ffff or 0x816f050c2016ffff

Severity: Info

Alert Category: Warning - Memory

816f050c-2017ffff • 816f050c-2019ffff

Serviceable: No

CIM Information: Prefix: PLAT and ID: 0145

SNMP Trap ID: 43

Automatically notify Support: No

User response: Information only; no action is required.

816f050c-2017ffff Memory Logging Limit Removed for [PhysicalMemoryElementName] on Subsystem [MemoryElementName].

Explanation: The Memory Logging Limit has been Removed.

May also be shown as 816f050c2017ffff or 0x816f050c2017ffff

Severity: Info

Alert Category: Warning - Memory

Serviceable: No

CIM Information: Prefix: PLAT and ID: 0145

SNMP Trap ID: 43

Automatically notify Support: No

User response: Information only; no action is required.

816f050c-2018ffff Memory Logging Limit Removed for [PhysicalMemoryElementName] on Subsystem [MemoryElementName].

Explanation: The Memory Logging Limit has been Removed.

May also be shown as 816f050c2018ffff or 0x816f050c2018ffff

Severity: Info

Alert Category: Warning - Memory

Serviceable: No

CIM Information: Prefix: PLAT and ID: 0145

SNMP Trap ID: 43

Automatically notify Support: No

User response: Information only; no action is required.

816f050c-2019ffff Memory Logging Limit Removed for [PhysicalMemoryElementName] on Subsystem [MemoryElementName].

Explanation: The Memory Logging Limit has been Removed.

May also be shown as 816f050c2019ffff or 0x816f050c2019ffff

Severity: Info

Alert Category: Warning - Memory

Serviceable: No

CIM Information: Prefix: PLAT and ID: 0145

SNMP Trap ID: 43

Automatically notify Support: No

User response: Information only; no action is required.

816f050c-201affff Memory Logging Limit Removed for [PhysicalMemoryElementName] on Subsystem [MemoryElementName].

Explanation: The Memory Logging Limit has been Removed.

May also be shown as 816f050c201affff or 0x816f050c201affff

Severity: Info

Alert Category: Warning - Memory

Serviceable: No

CIM Information: Prefix: PLAT and ID: 0145

SNMP Trap ID: 43

Automatically notify Support: No

User response: Information only; no action is required.

816f050c-201bffff Memory Logging Limit Removed for [PhysicalMemoryElementName] on Subsystem [MemoryElementName].

Explanation: The Memory Logging Limit has been Removed.

May also be shown as 816f050c201bffff or 0x816f050c201bffff

Severity: Info

Alert Category: Warning - Memory

Serviceable: No

CIM Information: Prefix: PLAT and ID: 0145

SNMP Trap ID: 43

Automatically notify Support: No

User response: Information only; no action is required.

816f050c-201cffff Memory Logging Limit Removed for [PhysicalMemoryElementName] on Subsystem [MemoryElementName].

Explanation: The Memory Logging Limit has been Removed.

May also be shown as 816f050c201cffff or 0x816f050c201cffff

Severity: Info

Alert Category: Warning - Memory

Serviceable: No

CIM Information: Prefix: PLAT and ID: 0145

SNMP Trap ID: 43

Automatically notify Support: No

User response: Information only; no action is required.

816f050c-201dffff Memory Logging Limit Removed for [PhysicalMemoryElementName] on Subsystem [MemoryElementName].

Explanation: The Memory Logging Limit has been Removed.

May also be shown as 816f050c201dffff or 0x816f050c201dffff

Severity: Info

Alert Category: Warning - Memory

816f050c-201effff • 816f050c-2020ffff

Serviceable: No

CIM Information: Prefix: PLAT and ID: 0145

SNMP Trap ID: 43

Automatically notify Support: No

User response: Information only; no action is required.

816f050c-201effff Memory Logging Limit Removed for [PhysicalMemoryElementName] on Subsystem [MemoryElementName].

Explanation: The Memory Logging Limit has been Removed.

May also be shown as 816f050c201effff or 0x816f050c201effff

Severity: Info

Alert Category: Warning - Memory

Serviceable: No

CIM Information: Prefix: PLAT and ID: 0145

SNMP Trap ID: 43

Automatically notify Support: No

User response: Information only; no action is required.

816f050c-201fffff Memory Logging Limit Removed for [PhysicalMemoryElementName] on Subsystem [MemoryElementName].

Explanation: The Memory Logging Limit has been Removed.

May also be shown as 816f050c201fffff or 0x816f050c201fffff

Severity: Info

Alert Category: Warning - Memory

Serviceable: No

CIM Information: Prefix: PLAT and ID: 0145

SNMP Trap ID: 43

Automatically notify Support: No

User response: Information only; no action is required.

816f050c-2020ffff Memory Logging Limit Removed for [PhysicalMemoryElementName] on Subsystem [MemoryElementName].

Explanation: The Memory Logging Limit has been Removed.

May also be shown as 816f050c2020ffff or 0x816f050c2020ffff

Severity: Info

Alert Category: Warning - Memory

Serviceable: No

CIM Information: Prefix: PLAT and ID: 0145

SNMP Trap ID: 43

Automatically notify Support: No

User response: Information only; no action is required.

816f050c-2021ffff Memory Logging Limit Removed for [PhysicalMemoryElementName] on Subsystem [MemoryElementName].

Explanation: The Memory Logging Limit has been Removed.

May also be shown as 816f050c2021ffff or 0x816f050c2021ffff

Severity: Info

Alert Category: Warning - Memory

Serviceable: No

CIM Information: Prefix: PLAT and ID: 0145

SNMP Trap ID: 43

Automatically notify Support: No

User response: Information only; no action is required.

816f050c-2022ffff Memory Logging Limit Removed for [PhysicalMemoryElementName] on Subsystem [MemoryElementName].

Explanation: The Memory Logging Limit has been Removed.

May also be shown as 816f050c2022ffff or 0x816f050c2022ffff

Severity: Info

Alert Category: Warning - Memory

Serviceable: No

CIM Information: Prefix: PLAT and ID: 0145

SNMP Trap ID: 43

Automatically notify Support: No

User response: Information only; no action is required.

816f050c-2023ffff Memory Logging Limit Removed for [PhysicalMemoryElementName] on Subsystem [MemoryElementName].

Explanation: The Memory Logging Limit has been Removed.

May also be shown as 816f050c2023ffff or 0x816f050c2023ffff

Severity: Info

Alert Category: Warning - Memory

Serviceable: No

CIM Information: Prefix: PLAT and ID: 0145

SNMP Trap ID: 43

Automatically notify Support: No

User response: Information only; no action is required.

816f050c-2024ffff Memory Logging Limit Removed for [PhysicalMemoryElementName] on Subsystem [MemoryElementName].

Explanation: The Memory Logging Limit has been Removed.

May also be shown as 816f050c2024ffff or 0x816f050c2024ffff

Severity: Info

Alert Category: Warning - Memory

816f050c-2025ffff • 816f050c-2027ffff

Serviceable: No

CIM Information: Prefix: PLAT and ID: 0145

SNMP Trap ID: 43

Automatically notify Support: No

User response: Information only; no action is required.

816f050c-2025ffff Memory Logging Limit Removed for [PhysicalMemoryElementName] on Subsystem [MemoryElementName].

Explanation: The Memory Logging Limit has been Removed.

May also be shown as 816f050c2025ffff or 0x816f050c2025ffff

Severity: Info

Alert Category: Warning - Memory

Serviceable: No

CIM Information: Prefix: PLAT and ID: 0145

SNMP Trap ID: 43

Automatically notify Support: No

User response: Information only; no action is required.

816f050c-2026ffff Memory Logging Limit Removed for [PhysicalMemoryElementName] on Subsystem [MemoryElementName].

Explanation: The Memory Logging Limit has been Removed.

May also be shown as 816f050c2026ffff or 0x816f050c2026ffff

Severity: Info

Alert Category: Warning - Memory

Serviceable: No

CIM Information: Prefix: PLAT and ID: 0145

SNMP Trap ID: 43

Automatically notify Support: No

User response: Information only; no action is required.

816f050c-2027ffff Memory Logging Limit Removed for [PhysicalMemoryElementName] on Subsystem [MemoryElementName].

Explanation: The Memory Logging Limit has been Removed.

May also be shown as 816f050c2027ffff or 0x816f050c2027ffff

Severity: Info

Alert Category: Warning - Memory

Serviceable: No

CIM Information: Prefix: PLAT and ID: 0145

SNMP Trap ID: 43

Automatically notify Support: No

User response: Information only; no action is required.

816f050c-2028ffff Memory Logging Limit Removed for [PhysicalMemoryElementName] on Subsystem [MemoryElementName].

Explanation: The Memory Logging Limit has been Removed.

May also be shown as 816f050c2028ffff or 0x816f050c2028ffff

Severity: Info

Alert Category: Warning - Memory

Serviceable: No

CIM Information: Prefix: PLAT and ID: 0145

SNMP Trap ID: 43

Automatically notify Support: No

User response: Information only; no action is required.

816f050c-2029ffff Memory Logging Limit Removed for [PhysicalMemoryElementName] on Subsystem [MemoryElementName].

Explanation: The Memory Logging Limit has been Removed.

May also be shown as 816f050c2029ffff or 0x816f050c2029ffff

Severity: Info

Alert Category: Warning - Memory

Serviceable: No

CIM Information: Prefix: PLAT and ID: 0145

SNMP Trap ID: 43

Automatically notify Support: No

User response: Information only; no action is required.

816f050c-202affff Memory Logging Limit Removed for [PhysicalMemoryElementName] on Subsystem [MemoryElementName].

Explanation: The Memory Logging Limit has been Removed.

May also be shown as 816f050c202affff or 0x816f050c202affff

Severity: Info

Alert Category: Warning - Memory

Serviceable: No

CIM Information: Prefix: PLAT and ID: 0145

SNMP Trap ID: 43

Automatically notify Support: No

User response: Information only; no action is required.

816f050c-202bffff Memory Logging Limit Removed for [PhysicalMemoryElementName] on Subsystem [MemoryElementName].

Explanation: The Memory Logging Limit has been Removed.

May also be shown as 816f050c202bffff or 0x816f050c202bffff

Severity: Info

Alert Category: Warning - Memory

816f050c-202cffff • 816f050c-202effff

Serviceable: No

CIM Information: Prefix: PLAT and ID: 0145

SNMP Trap ID: 43

Automatically notify Support: No

User response: Information only; no action is required.

816f050c-202cffff Memory Logging Limit Removed for [PhysicalMemoryElementName] on Subsystem [MemoryElementName].

Explanation: The Memory Logging Limit has been Removed.

May also be shown as 816f050c202cffff or 0x816f050c202cffff

Severity: Info

Alert Category: Warning - Memory

Serviceable: No

CIM Information: Prefix: PLAT and ID: 0145

SNMP Trap ID: 43

Automatically notify Support: No

User response: Information only; no action is required.

816f050c-202dffff Memory Logging Limit Removed for [PhysicalMemoryElementName] on Subsystem [MemoryElementName].

Explanation: The Memory Logging Limit has been Removed.

May also be shown as 816f050c202dffff or 0x816f050c202dffff

Severity: Info

Alert Category: Warning - Memory

Serviceable: No

CIM Information: Prefix: PLAT and ID: 0145

SNMP Trap ID: 43

Automatically notify Support: No

User response: Information only; no action is required.

816f050c-202effff Memory Logging Limit Removed for [PhysicalMemoryElementName] on Subsystem [MemoryElementName].

Explanation: The Memory Logging Limit has been Removed.

May also be shown as 816f050c202effff or 0x816f050c202effff

Severity: Info

Alert Category: Warning - Memory

Serviceable: No

CIM Information: Prefix: PLAT and ID: 0145

SNMP Trap ID: 43

Automatically notify Support: No

User response: Information only; no action is required.

816f050c-202ffff Memory Logging Limit Removed for [PhysicalMemoryElementName] on Subsystem [MemoryElementName].

Explanation: The Memory Logging Limit has been Removed.

May also be shown as 816f050c202ffff or 0x816f050c202ffff

Severity: Info

Alert Category: Warning - Memory

Serviceable: No

CIM Information: Prefix: PLAT and ID: 0145

SNMP Trap ID: 43

Automatically notify Support: No

User response: Information only; no action is required.

816f050c-2030ffff Memory Logging Limit Removed for [PhysicalMemoryElementName] on Subsystem [MemoryElementName].

Explanation: The Memory Logging Limit has been Removed.

May also be shown as 816f050c2030ffff or 0x816f050c2030ffff

Severity: Info

Alert Category: Warning - Memory

Serviceable: No

CIM Information: Prefix: PLAT and ID: 0145

SNMP Trap ID: 43

Automatically notify Support: No

User response: Information only; no action is required.

816f050c-2581ffff Memory Logging Limit Removed for [PhysicalMemoryElementName] on Subsystem [MemoryElementName].

Explanation: The memory logging limit has been removed. All DIMMs. One of the DIMMs.

May also be shown as 816f050c2581ffff or 0x816f050c2581ffff

Severity: Info

Alert Category: Warning - Memory

Serviceable: No

CIM Information: Prefix: PLAT and ID: 0145

SNMP Trap ID: 43

Automatically notify Support: No

User response: Information only; no action is required.

816f050d-0400ffff Critical Array [ComputerSystemElementName] has deasserted.

Explanation: The RAID array (Drive 0) is no longer in a critical condition.

May also be shown as 816f050d0400ffff or 0x816f050d0400ffff

Severity: Info

Alert Category: Critical - Hard Disk drive

Serviceable: No

816f050d-0401ffff • 816f050d-0403ffff

CIM Information: Prefix: PLAT and ID: 0175

SNMP Trap ID: 5

Automatically notify Support: No

User response: Information only; no action is required.

816f050d-0401ffff Critical Array [ComputerSystemElementName] has deasserted.

Explanation: The RAID array (Drive 1) is no longer in a critical condition.

May also be shown as 816f050d0401ffff or 0x816f050d0401ffff

Severity: Info

Alert Category: Critical - Hard Disk drive

Serviceable: No

CIM Information: Prefix: PLAT and ID: 0175

SNMP Trap ID: 5

Automatically notify Support: No

User response: Information only; no action is required.

816f050d-0402ffff Critical Array [ComputerSystemElementName] has deasserted.

Explanation: The RAID array (Drive 2) is no longer in a critical condition.

May also be shown as 816f050d0402ffff or 0x816f050d0402ffff

Severity: Info

Alert Category: Critical - Hard Disk drive

Serviceable: No

CIM Information: Prefix: PLAT and ID: 0175

SNMP Trap ID: 5

Automatically notify Support: No

User response: Information only; no action is required.

816f050d-0403ffff Critical Array [ComputerSystemElementName] has deasserted.

Explanation: The RAID array (Drive 3) is no longer in a critical condition.

May also be shown as 816f050d0403ffff or 0x816f050d0403ffff

Severity: Info

Alert Category: Critical - Hard Disk drive

Serviceable: No

CIM Information: Prefix: PLAT and ID: 0175

SNMP Trap ID: 5

Automatically notify Support: No

User response: Information only; no action is required.

816f050d-0404ffff Critical Array [ComputerSystemElementName] has deasserted.

Explanation: The RAID array (Drive 4) is no longer in a critical condition.

May also be shown as 816f050d0404ffff or 0x816f050d0404ffff

Severity: Info

Alert Category: Critical - Hard Disk drive

Serviceable: No

CIM Information: Prefix: PLAT and ID: 0175

SNMP Trap ID: 5

Automatically notify Support: No

User response: Information only; no action is required.

816f050d-0405ffff Critical Array [ComputerSystemElementName] has deasserted.

Explanation: The RAID array (Drive 5) is no longer in a critical condition.

May also be shown as 816f050d0405ffff or 0x816f050d0405ffff

Severity: Info

Alert Category: Critical - Hard Disk drive

Serviceable: No

CIM Information: Prefix: PLAT and ID: 0175

SNMP Trap ID: 5

Automatically notify Support: No

User response: Information only; no action is required.

816f050d-0406ffff Critical Array [ComputerSystemElementName] has deasserted.

Explanation: The RAID array (Drive 6) is no longer in a critical condition.

May also be shown as 816f050d0406ffff or 0x816f050d0406ffff

Severity: Info

Alert Category: Critical - Hard Disk drive

Serviceable: No

CIM Information: Prefix: PLAT and ID: 0175

SNMP Trap ID: 5

Automatically notify Support: No

User response: Information only; no action is required.

816f050d-0407ffff Critical Array [ComputerSystemElementName] has deasserted.

Explanation: The RAID array (Drive 7) is no longer in a critical condition.

May also be shown as 816f050d0407ffff or 0x816f050d0407ffff

Severity: Info

Alert Category: Critical - Hard Disk drive

Serviceable: No

CIM Information: Prefix: PLAT and ID: 0175

816f0513-2582ffff • 816f0607-2584ffff

SNMP Trap ID: 5

Automatically notify Support: No

User response: Information only; no action is required.

816f0513-2582ffff A PCI SERR on system [ComputerSystemElementName] has deasserted.

Explanation: A PCI System Error (SERR) has recovered. All PCI Error. One of PCI Error.

May also be shown as 816f05132582ffff or 0x816f05132582ffff

Severity: Info

Alert Category: Critical - Other

Serviceable: No

CIM Information: Prefix: PLAT and ID: 0235

SNMP Trap ID: 50

Automatically notify Support: No

User response: Information only; no action is required.

816f0607-0301ffff An SM BIOS Uncorrectable CPU complex error for [ProcessorElementName] has deasserted.

Explanation: An SM BIOS uncorrectable CPU complex error has recovered.

May also be shown as 816f06070301ffff or 0x816f06070301ffff

Severity: Info

Alert Category: Critical - CPU

Serviceable: No

CIM Information: Prefix: PLAT and ID: 0817

SNMP Trap ID: 40

Automatically notify Support: No

User response: Information only; no action is required.

816f0607-0302ffff An SM BIOS Uncorrectable CPU complex error for [ProcessorElementName] has deasserted.

Explanation: An SM BIOS uncorrectable CPU complex error has recovered.

May also be shown as 816f06070302ffff or 0x816f06070302ffff

Severity: Info

Alert Category: Critical - CPU

Serviceable: No

CIM Information: Prefix: PLAT and ID: 0817

SNMP Trap ID: 40

Automatically notify Support: No

User response: Information only; no action is required.

816f0607-2584ffff An SM BIOS Uncorrectable CPU complex error for [ProcessorElementName] has deasserted.

Explanation: An SM BIOS Uncorrectable CPU complex error has recovered. All CPUs. One of CPUs.

May also be shown as 816f06072584ffff or 0x816f06072584ffff

Severity: Info

Alert Category: Critical - CPU

Serviceable: No

CIM Information: Prefix: PLAT and ID: 0817

SNMP Trap ID: 40

Automatically notify Support: No

User response: Information only; no action is required.

816f060d-0400ffff Array in system [ComputerSystemElementName] has been restored.

Explanation: The failed RAID array (Drive 0) has been restored.

May also be shown as 816f060d0400ffff or 0x816f060d0400ffff

Severity: Info

Alert Category: Critical - Hard Disk drive

Serviceable: No

CIM Information: Prefix: PLAT and ID: 0177

SNMP Trap ID: 5

Automatically notify Support: No

User response: Information only; no action is required.

816f060d-0401ffff Array in system [ComputerSystemElementName] has been restored.

Explanation: The failed RAID array (Drive 1) has been restored.

May also be shown as 816f060d0401ffff or 0x816f060d0401ffff

Severity: Info

Alert Category: Critical - Hard Disk drive

Serviceable: No

CIM Information: Prefix: PLAT and ID: 0177

SNMP Trap ID: 5

Automatically notify Support: No

User response: Information only; no action is required.

816f060d-0402ffff Array in system [ComputerSystemElementName] has been restored.

Explanation: The failed RAID array (Drive 2) has been restored.

May also be shown as 816f060d0402ffff or 0x816f060d0402ffff

Severity: Info

Alert Category: Critical - Hard Disk drive

Serviceable: No

CIM Information: Prefix: PLAT and ID: 0177

SNMP Trap ID: 5

Automatically notify Support: No

User response: Information only; no action is required.

816f060d-0403ffff • 816f060d-0406ffff

816f060d-0403ffff Array in system [ComputerSystemElementName] has been restored.

Explanation: The failed RAID array (Drive 3) has been restored.

May also be shown as 816f060d0403ffff or 0x816f060d0403ffff

Severity: Info

Alert Category: Critical - Hard Disk drive

Serviceable: No

CIM Information: Prefix: PLAT and ID: 0177

SNMP Trap ID: 5

Automatically notify Support: No

User response: Information only; no action is required.

816f060d-0404ffff Array in system [ComputerSystemElementName] has been restored.

Explanation: The failed RAID array (Drive 4) has been restored.

May also be shown as 816f060d0404ffff or 0x816f060d0404ffff

Severity: Info

Alert Category: Critical - Hard Disk drive

Serviceable: No

CIM Information: Prefix: PLAT and ID: 0177

SNMP Trap ID: 5

Automatically notify Support: No

User response: Information only; no action is required.

816f060d-0405ffff Array in system [ComputerSystemElementName] has been restored.

Explanation: The failed RAID array (Drive 5) has been restored.

May also be shown as 816f060d0405ffff or 0x816f060d0405ffff

Severity: Info

Alert Category: Critical - Hard Disk drive

Serviceable: No

CIM Information: Prefix: PLAT and ID: 0177

SNMP Trap ID: 5

Automatically notify Support: No

User response: Information only; no action is required.

816f060d-0406ffff Array in system [ComputerSystemElementName] has been restored.

Explanation: The failed RAID array (Drive 6) has been restored.

May also be shown as 816f060d0406ffff or 0x816f060d0406ffff

Severity: Info

Alert Category: Critical - Hard Disk drive

Serviceable: No

CIM Information: Prefix: PLAT and ID: 0177

SNMP Trap ID: 5

Automatically notify Support: No

User response: Information only; no action is required.

816f060d-0407ffff Array in system [ComputerSystemElementName] has been restored.

Explanation: The failed RAID array (Drive 7) has been restored.

May also be shown as 816f060d0407ffff or 0x816f060d0407ffff

Severity: Info

Alert Category: Critical - Hard Disk drive

Serviceable: No

CIM Information: Prefix: PLAT and ID: 0177

SNMP Trap ID: 5

Automatically notify Support: No

User response: Information only; no action is required.

816f070c-2001ffff Configuration error for [PhysicalMemoryElementName] on Subsystem [MemoryElementName]has deasserted.

Explanation: A memory DIMM configuration error has recovered.

May also be shown as 816f070c2001ffff or 0x816f070c2001ffff

Severity: Info

Alert Category: Critical - Memory

Serviceable: No

CIM Information: Prefix: PLAT and ID: 0127

SNMP Trap ID: 41

Automatically notify Support: No

User response: Information only; no action is required.

816f070c-2002ffff Configuration error for [PhysicalMemoryElementName] on Subsystem [MemoryElementName]has deasserted.

Explanation: A memory DIMM configuration error has recovered.

May also be shown as 816f070c2002ffff or 0x816f070c2002ffff

Severity: Info

Alert Category: Critical - Memory

Serviceable: No

CIM Information: Prefix: PLAT and ID: 0127

SNMP Trap ID: 41

Automatically notify Support: No

User response: Information only; no action is required.

816f070c-2003ffff Configuration error for [PhysicalMemoryElementName] on Subsystem [MemoryElementName]has deasserted.

Explanation: A memory DIMM configuration error has recovered.

May also be shown as 816f070c2003ffff or 0x816f070c2003ffff

Severity: Info

Alert Category: Critical - Memory

Serviceable: No

CIM Information: Prefix: PLAT and ID: 0127

SNMP Trap ID: 41

Automatically notify Support: No

User response: Information only; no action is required.

816f070c-2004ffff Configuration error for [PhysicalMemoryElementName] on Subsystem [MemoryElementName]has deasserted.

Explanation: A memory DIMM configuration error has recovered.

May also be shown as 816f070c2004ffff or 0x816f070c2004ffff

Severity: Info

Alert Category: Critical - Memory

Serviceable: No

CIM Information: Prefix: PLAT and ID: 0127

SNMP Trap ID: 41

Automatically notify Support: No

User response: Information only; no action is required.

816f070c-2005ffff Configuration error for [PhysicalMemoryElementName] on Subsystem [MemoryElementName]has deasserted.

Explanation: A memory DIMM configuration error has recovered.

May also be shown as 816f070c2005ffff or 0x816f070c2005ffff

Severity: Info

Alert Category: Critical - Memory

Serviceable: No

CIM Information: Prefix: PLAT and ID: 0127

SNMP Trap ID: 41

Automatically notify Support: No

User response: Information only; no action is required.

816f070c-2006ffff Configuration error for [PhysicalMemoryElementName] on Subsystem [MemoryElementName]has deasserted.

Explanation: A memory DIMM configuration error has recovered.

May also be shown as 816f070c2006ffff or 0x816f070c2006ffff

Severity: Info

Alert Category: Critical - Memory

Serviceable: No

CIM Information: Prefix: PLAT and ID: 0127

SNMP Trap ID: 41

Automatically notify Support: No

User response: Information only; no action is required.

816f070c-2007ffff Configuration error for [PhysicalMemoryElementName] on Subsystem [MemoryElementName]has deasserted.

Explanation: A memory DIMM configuration error has recovered.

May also be shown as 816f070c2007ffff or 0x816f070c2007ffff

Severity: Info

Alert Category: Critical - Memory

Serviceable: No

CIM Information: Prefix: PLAT and ID: 0127

SNMP Trap ID: 41

Automatically notify Support: No

User response: Information only; no action is required.

816f070c-2008ffff Configuration error for [PhysicalMemoryElementName] on Subsystem [MemoryElementName]has deasserted.

Explanation: A memory DIMM configuration error has recovered.

May also be shown as 816f070c2008ffff or 0x816f070c2008ffff

Severity: Info

Alert Category: Critical - Memory

Serviceable: No

CIM Information: Prefix: PLAT and ID: 0127

SNMP Trap ID: 41

Automatically notify Support: No

User response: Information only; no action is required.

816f070c-2009ffff Configuration error for [PhysicalMemoryElementName] on Subsystem [MemoryElementName]has deasserted.

Explanation: A memory DIMM configuration error has recovered.

May also be shown as 816f070c2009ffff or 0x816f070c2009ffff

Severity: Info

Alert Category: Critical - Memory

Serviceable: No

CIM Information: Prefix: PLAT and ID: 0127

SNMP Trap ID: 41

Automatically notify Support: No

User response: Information only; no action is required.

816f070c-200affff • 816f070c-200dffff

816f070c-200affff Configuration error for [PhysicalMemoryElementName] on Subsystem [MemoryElementName]has deasserted.

Explanation: A memory DIMM configuration error has recovered.

May also be shown as 816f070c200affff or 0x816f070c200affff

Severity: Info

Alert Category: Critical - Memory

Serviceable: No

CIM Information: Prefix: PLAT and ID: 0127

SNMP Trap ID: 41

Automatically notify Support: No

User response: Information only; no action is required.

816f070c-200bffff Configuration error for [PhysicalMemoryElementName] on Subsystem [MemoryElementName]has deasserted.

Explanation: A memory DIMM configuration error has recovered.

May also be shown as 816f070c200bffff or 0x816f070c200bffff

Severity: Info

Alert Category: Critical - Memory

Serviceable: No

CIM Information: Prefix: PLAT and ID: 0127

SNMP Trap ID: 41

Automatically notify Support: No

User response: Information only; no action is required.

816f070c-200cffff Configuration error for [PhysicalMemoryElementName] on Subsystem [MemoryElementName]has deasserted.

Explanation: A memory DIMM configuration error has recovered.

May also be shown as 816f070c200cffff or 0x816f070c200cffff

Severity: Info

Alert Category: Critical - Memory

Serviceable: No

CIM Information: Prefix: PLAT and ID: 0127

SNMP Trap ID: 41

Automatically notify Support: No

User response: Information only; no action is required.

816f070c-200dffff Configuration error for [PhysicalMemoryElementName] on Subsystem [MemoryElementName]has deasserted.

Explanation: A memory DIMM configuration error has recovered.

May also be shown as 816f070c200dffff or 0x816f070c200dffff

Severity: Info

Alert Category: Critical - Memory

Serviceable: No

CIM Information: Prefix: PLAT and ID: 0127

SNMP Trap ID: 41

Automatically notify Support: No

User response: Information only; no action is required.

816f070c-200effff Configuration error for [PhysicalMemoryElementName] on Subsystem [MemoryElementName]has deasserted.

Explanation: A memory DIMM configuration error has recovered.

May also be shown as 816f070c200effff or 0x816f070c200effff

Severity: Info

Alert Category: Critical - Memory

Serviceable: No

CIM Information: Prefix: PLAT and ID: 0127

SNMP Trap ID: 41

Automatically notify Support: No

User response: Information only; no action is required.

816f070c-200ffff Configuration error for [PhysicalMemoryElementName] on Subsystem [MemoryElementName]has deasserted.

Explanation: A memory DIMM configuration error has recovered.

May also be shown as 816f070c200ffff or 0x816f070c200ffff

Severity: Info

Alert Category: Critical - Memory

Serviceable: No

CIM Information: Prefix: PLAT and ID: 0127

SNMP Trap ID: 41

Automatically notify Support: No

User response: Information only; no action is required.

816f070c-2010ffff Configuration error for [PhysicalMemoryElementName] on Subsystem [MemoryElementName]has deasserted.

Explanation: A memory DIMM configuration error has recovered.

May also be shown as 816f070c2010ffff or 0x816f070c2010ffff

Severity: Info

Alert Category: Critical - Memory

Serviceable: No

CIM Information: Prefix: PLAT and ID: 0127

SNMP Trap ID: 41

Automatically notify Support: No

User response: Information only; no action is required.

816f070c-2011ffff Configuration error for [PhysicalMemoryElementName] on Subsystem [MemoryElementName]has deasserted.

Explanation: A memory DIMM configuration error has recovered.

May also be shown as 816f070c2011ffff or 0x816f070c2011ffff

Severity: Info

Alert Category: Critical - Memory

Serviceable: No

CIM Information: Prefix: PLAT and ID: 0127

SNMP Trap ID: 41

Automatically notify Support: No

User response: Information only; no action is required.

816f070c-2012ffff Configuration error for [PhysicalMemoryElementName] on Subsystem [MemoryElementName]has deasserted.

Explanation: A memory DIMM configuration error has recovered.

May also be shown as 816f070c2012ffff or 0x816f070c2012ffff

Severity: Info

Alert Category: Critical - Memory

Serviceable: No

CIM Information: Prefix: PLAT and ID: 0127

SNMP Trap ID: 41

Automatically notify Support: No

User response: Information only; no action is required.

816f070c-2013ffff Configuration error for [PhysicalMemoryElementName] on Subsystem [MemoryElementName]has deasserted.

Explanation: A memory DIMM configuration error has recovered.

May also be shown as 816f070c2013ffff or 0x816f070c2013ffff

Severity: Info

Alert Category: Critical - Memory

Serviceable: No

CIM Information: Prefix: PLAT and ID: 0127

SNMP Trap ID: 41

Automatically notify Support: No

User response: Information only; no action is required.

816f070c-2014ffff Configuration error for [PhysicalMemoryElementName] on Subsystem [MemoryElementName]has deasserted.

Explanation: A memory DIMM configuration error has recovered.

May also be shown as 816f070c2014ffff or 0x816f070c2014ffff

Severity: Info

Alert Category: Critical - Memory

Serviceable: No

CIM Information: Prefix: PLAT and ID: 0127

SNMP Trap ID: 41

Automatically notify Support: No

User response: Information only; no action is required.

816f070c-2015ffff Configuration error for [PhysicalMemoryElementName] on Subsystem [MemoryElementName]has deasserted.

Explanation: A memory DIMM configuration error has recovered.

May also be shown as 816f070c2015ffff or 0x816f070c2015ffff

Severity: Info

Alert Category: Critical - Memory

Serviceable: No

CIM Information: Prefix: PLAT and ID: 0127

SNMP Trap ID: 41

Automatically notify Support: No

User response: Information only; no action is required.

816f070c-2016ffff Configuration error for [PhysicalMemoryElementName] on Subsystem [MemoryElementName]has deasserted.

Explanation: A memory DIMM configuration error has recovered.

May also be shown as 816f070c2016ffff or 0x816f070c2016ffff

Severity: Info

Alert Category: Critical - Memory

Serviceable: No

CIM Information: Prefix: PLAT and ID: 0127

SNMP Trap ID: 41

Automatically notify Support: No

User response: Information only; no action is required.

816f070c-2017ffff Configuration error for [PhysicalMemoryElementName] on Subsystem [MemoryElementName]has deasserted.

Explanation: A memory DIMM configuration error has recovered.

May also be shown as 816f070c2017ffff or 0x816f070c2017ffff

Severity: Info

Alert Category: Critical - Memory

Serviceable: No

CIM Information: Prefix: PLAT and ID: 0127

SNMP Trap ID: 41

Automatically notify Support: No

User response: Information only; no action is required.

816f070c-2018ffff Configuration error for [PhysicalMemoryElementName] on Subsystem [MemoryElementName]has deasserted.

Explanation: A memory DIMM configuration error has recovered.

May also be shown as 816f070c2018ffff or 0x816f070c2018ffff

Severity: Info

Alert Category: Critical - Memory

Serviceable: No

CIM Information: Prefix: PLAT and ID: 0127

SNMP Trap ID: 41

Automatically notify Support: No

User response: Information only; no action is required.

816f070c-2019ffff Configuration error for [PhysicalMemoryElementName] on Subsystem [MemoryElementName]has deasserted.

Explanation: A memory DIMM configuration error has recovered.

May also be shown as 816f070c2019ffff or 0x816f070c2019ffff

Severity: Info

Alert Category: Critical - Memory

Serviceable: No

CIM Information: Prefix: PLAT and ID: 0127

SNMP Trap ID: 41

Automatically notify Support: No

User response: Information only; no action is required.

816f070c-201affff Configuration error for [PhysicalMemoryElementName] on Subsystem [MemoryElementName]has deasserted.

Explanation: A memory DIMM configuration error has recovered.

May also be shown as 816f070c201affff or 0x816f070c201affff

Severity: Info

Alert Category: Critical - Memory

Serviceable: No

CIM Information: Prefix: PLAT and ID: 0127

SNMP Trap ID: 41

Automatically notify Support: No

User response: Information only; no action is required.

816f070c-201bffff Configuration error for [PhysicalMemoryElementName] on Subsystem [MemoryElementName]has deasserted.

Explanation: A memory DIMM configuration error has recovered.

May also be shown as 816f070c201bffff or 0x816f070c201bffff

Severity: Info

Alert Category: Critical - Memory

Serviceable: No

CIM Information: Prefix: PLAT and ID: 0127

SNMP Trap ID: 41

Automatically notify Support: No

User response: Information only; no action is required.

816f070c-201cffff Configuration error for [PhysicalMemoryElementName] on Subsystem [MemoryElementName]has deasserted.

Explanation: A memory DIMM configuration error has recovered.

May also be shown as 816f070c201cffff or 0x816f070c201cffff

Severity: Info

Alert Category: Critical - Memory

Serviceable: No

CIM Information: Prefix: PLAT and ID: 0127

SNMP Trap ID: 41

Automatically notify Support: No

User response: Information only; no action is required.

816f070c-201dffff Configuration error for [PhysicalMemoryElementName] on Subsystem [MemoryElementName]has deasserted.

Explanation: A memory DIMM configuration error has recovered.

May also be shown as 816f070c201dffff or 0x816f070c201dffff

Severity: Info

Alert Category: Critical - Memory

Serviceable: No

CIM Information: Prefix: PLAT and ID: 0127

SNMP Trap ID: 41

Automatically notify Support: No

User response: Information only; no action is required.

816f070c-201effff Configuration error for [PhysicalMemoryElementName] on Subsystem [MemoryElementName]has deasserted.

Explanation: A memory DIMM configuration error has recovered.

May also be shown as 816f070c201effff or 0x816f070c201effff

Severity: Info

Alert Category: Critical - Memory

Serviceable: No

CIM Information: Prefix: PLAT and ID: 0127

SNMP Trap ID: 41

Automatically notify Support: No

User response: Information only; no action is required.

816f070c-201ffff Configuration error for [PhysicalMemoryElementName] on Subsystem [MemoryElementName]has deasserted.

Explanation: A memory DIMM configuration error has recovered.

May also be shown as 816f070c201ffff or 0x816f070c201ffff

Severity: Info

Alert Category: Critical - Memory

Serviceable: No

CIM Information: Prefix: PLAT and ID: 0127

SNMP Trap ID: 41

Automatically notify Support: No

User response: Information only; no action is required.

816f070c-2020ffff Configuration error for [PhysicalMemoryElementName] on Subsystem [MemoryElementName]has deasserted.

Explanation: A memory DIMM configuration error has recovered.

May also be shown as 816f070c2020ffff or 0x816f070c2020ffff

Severity: Info

Alert Category: Critical - Memory

Serviceable: No

CIM Information: Prefix: PLAT and ID: 0127

SNMP Trap ID: 41

Automatically notify Support: No

User response: Information only; no action is required.

816f070c-2021ffff Configuration error for [PhysicalMemoryElementName] on Subsystem [MemoryElementName]has deasserted.

Explanation: A memory DIMM configuration error has recovered.

May also be shown as 816f070c2021ffff or 0x816f070c2021ffff

Severity: Info

Alert Category: Critical - Memory

Serviceable: No

CIM Information: Prefix: PLAT and ID: 0127

SNMP Trap ID: 41

Automatically notify Support: No

User response: Information only; no action is required.

816f070c-2022ffff Configuration error for [PhysicalMemoryElementName] on Subsystem [MemoryElementName]has deasserted.

Explanation: A memory DIMM configuration error has recovered.

May also be shown as 816f070c2022ffff or 0x816f070c2022ffff

Severity: Info

Alert Category: Critical - Memory

Serviceable: No

CIM Information: Prefix: PLAT and ID: 0127

SNMP Trap ID: 41

Automatically notify Support: No

User response: Information only; no action is required.

816f070c-2023ffff Configuration error for [PhysicalMemoryElementName] on Subsystem [MemoryElementName]has deasserted.

Explanation: A memory DIMM configuration error has recovered.

May also be shown as 816f070c2023ffff or 0x816f070c2023ffff

Severity: Info

Alert Category: Critical - Memory

Serviceable: No

CIM Information: Prefix: PLAT and ID: 0127

SNMP Trap ID: 41

Automatically notify Support: No

User response: Information only; no action is required.

816f070c-2024ffff Configuration error for [PhysicalMemoryElementName] on Subsystem [MemoryElementName]has deasserted.

Explanation: A memory DIMM configuration error has recovered.

May also be shown as 816f070c2024ffff or 0x816f070c2024ffff

Severity: Info

Alert Category: Critical - Memory

Serviceable: No

CIM Information: Prefix: PLAT and ID: 0127

SNMP Trap ID: 41

Automatically notify Support: No

User response: Information only; no action is required.

816f070c-2025ffff Configuration error for [PhysicalMemoryElementName] on Subsystem [MemoryElementName]has deasserted.

Explanation: A memory DIMM configuration error has recovered.

May also be shown as 816f070c2025ffff or 0x816f070c2025ffff

Severity: Info

Alert Category: Critical - Memory

Serviceable: No

CIM Information: Prefix: PLAT and ID: 0127

SNMP Trap ID: 41

Automatically notify Support: No

User response: Information only; no action is required.

816f070c-2026ffff Configuration error for [PhysicalMemoryElementName] on Subsystem [MemoryElementName]has deasserted.

Explanation: A memory DIMM configuration error has recovered.

May also be shown as 816f070c2026ffff or 0x816f070c2026ffff

Severity: Info

Alert Category: Critical - Memory

Serviceable: No

CIM Information: Prefix: PLAT and ID: 0127

SNMP Trap ID: 41

Automatically notify Support: No

User response: Information only; no action is required.

816f070c-2027ffff Configuration error for [PhysicalMemoryElementName] on Subsystem [MemoryElementName]has deasserted.

Explanation: A memory DIMM configuration error has recovered.

May also be shown as 816f070c2027ffff or 0x816f070c2027ffff

Severity: Info

Alert Category: Critical - Memory

Serviceable: No

CIM Information: Prefix: PLAT and ID: 0127

SNMP Trap ID: 41

Automatically notify Support: No

User response: Information only; no action is required.

816f070c-2028ffff Configuration error for [PhysicalMemoryElementName] on Subsystem [MemoryElementName]has deasserted.

Explanation: A memory DIMM configuration error has recovered.

May also be shown as 816f070c2028ffff or 0x816f070c2028ffff

Severity: Info

Alert Category: Critical - Memory

Serviceable: No

CIM Information: Prefix: PLAT and ID: 0127

SNMP Trap ID: 41

Automatically notify Support: No

User response: Information only; no action is required.

816f070c-2029ffff Configuration error for [PhysicalMemoryElementName] on Subsystem [MemoryElementName]has deasserted.

Explanation: A memory DIMM configuration error has recovered.

May also be shown as 816f070c2029ffff or 0x816f070c2029ffff

Severity: Info

Alert Category: Critical - Memory

Serviceable: No

CIM Information: Prefix: PLAT and ID: 0127

SNMP Trap ID: 41

Automatically notify Support: No

User response: Information only; no action is required.

816f070c-202affff Configuration error for [PhysicalMemoryElementName] on Subsystem [MemoryElementName]has deasserted.

Explanation: A memory DIMM configuration error has recovered.

May also be shown as 816f070c202affff or 0x816f070c202affff

Severity: Info

Alert Category: Critical - Memory

Serviceable: No

CIM Information: Prefix: PLAT and ID: 0127

SNMP Trap ID: 41

Automatically notify Support: No

User response: Information only; no action is required.

816f070c-202bffff Configuration error for [PhysicalMemoryElementName] on Subsystem [MemoryElementName]has deasserted.

Explanation: A memory DIMM configuration error has recovered.

May also be shown as 816f070c202bffff or 0x816f070c202bffff

Severity: Info

Alert Category: Critical - Memory

Serviceable: No

CIM Information: Prefix: PLAT and ID: 0127

SNMP Trap ID: 41

Automatically notify Support: No

User response: Information only; no action is required.

816f070c-202cffff Configuration error for [PhysicalMemoryElementName] on Subsystem [MemoryElementName]has deasserted.

Explanation: A memory DIMM configuration error has recovered.

May also be shown as 816f070c202cffff or 0x816f070c202cffff

Severity: Info

Alert Category: Critical - Memory

Serviceable: No

CIM Information: Prefix: PLAT and ID: 0127

SNMP Trap ID: 41

Automatically notify Support: No

User response: Information only; no action is required.

816f070c-202dffff Configuration error for [PhysicalMemoryElementName] on Subsystem [MemoryElementName]has deasserted.

Explanation: A memory DIMM configuration error has recovered.

May also be shown as 816f070c202dffff or 0x816f070c202dffff

Severity: Info

Alert Category: Critical - Memory

Serviceable: No

CIM Information: Prefix: PLAT and ID: 0127

SNMP Trap ID: 41

Automatically notify Support: No

User response: Information only; no action is required.

816f070c-202effff Configuration error for [PhysicalMemoryElementName] on Subsystem [MemoryElementName]has deasserted.

Explanation: A memory DIMM configuration error has recovered.

May also be shown as 816f070c202effff or 0x816f070c202effff

Severity: Info

Alert Category: Critical - Memory

Serviceable: No

CIM Information: Prefix: PLAT and ID: 0127

SNMP Trap ID: 41

Automatically notify Support: No

User response: Information only; no action is required.

816f070c-202fffff Configuration error for [PhysicalMemoryElementName] on Subsystem [MemoryElementName]has deasserted.

Explanation: A memory DIMM configuration error has recovered.

May also be shown as 816f070c202fffff or 0x816f070c202fffff

Severity: Info

Alert Category: Critical - Memory

Serviceable: No

CIM Information: Prefix: PLAT and ID: 0127

SNMP Trap ID: 41

Automatically notify Support: No

User response: Information only; no action is required.

816f070c-2030ffff Configuration error for [PhysicalMemoryElementName] on Subsystem [MemoryElementName]has deasserted.

Explanation: A memory DIMM configuration error has recovered.

May also be shown as 816f070c2030ffff or 0x816f070c2030ffff

Severity: Info

Alert Category: Critical - Memory

Serviceable: No

CIM Information: Prefix: PLAT and ID: 0127

SNMP Trap ID: 41

Automatically notify Support: No

User response: Information only; no action is required.

816f070c-2581ffff Configuration error for [PhysicalMemoryElementName] on Subsystem [MemoryElementName]has deasserted.

Explanation: A memory DIMM configuration error has recovered. All DIMMs. One of the DIMMs.

May also be shown as 816f070c2581ffff or 0x816f070c2581ffff

Severity: Info

Alert Category: Critical - Memory

Serviceable: No

CIM Information: Prefix: PLAT and ID: 0127

SNMP Trap ID: 41

Automatically notify Support: No

User response: Information only; no action is required.

816f070d-0400ffff Rebuild completed for Array in system [ComputerSystemElementName].

Explanation: The rebuild of the RAID array (drive 0) has completed.

May also be shown as 816f070d0400ffff or 0x816f070d0400ffff

Severity: Info

Alert Category: System - Other

Serviceable: No

CIM Information: Prefix: PLAT and ID: 0179

SNMP Trap ID:

Automatically notify Support: No

User response: Information only; no action is required.

816f070d-0401ffff Rebuild completed for Array in system [ComputerSystemElementName].

Explanation: The rebuild of the RAID array (Drive 1) has completed.

May also be shown as 816f070d0401ffff or 0x816f070d0401ffff

Severity: Info

Alert Category: System - Other

Serviceable: No

CIM Information: Prefix: PLAT and ID: 0179

SNMP Trap ID:

Automatically notify Support: No

User response: Information only; no action is required.

816f070d-0402ffff Rebuild completed for Array in system [ComputerSystemElementName].

Explanation: The rebuild of the RAID array (Drive 2) has completed.

May also be shown as 816f070d0402ffff or 0x816f070d0402ffff

Severity: Info

Alert Category: System - Other

Serviceable: No

CIM Information: Prefix: PLAT and ID: 0179

SNMP Trap ID:

Automatically notify Support: No

User response: Information only; no action is required.

816f070d-0403ffff Rebuild completed for Array in system [ComputerSystemElementName].

Explanation: The rebuild of the RAID array (Drive 3) has completed.

May also be shown as 816f070d0403ffff or 0x816f070d0403ffff

Severity: Info

Alert Category: System - Other

Serviceable: No

CIM Information: Prefix: PLAT and ID: 0179

SNMP Trap ID:

Automatically notify Support: No

User response: Information only; no action is required.

816f070d-0404ffff Rebuild completed for Array in system [ComputerSystemElementName].

Explanation: The rebuild of the RAID array (Drive 4) has completed.

May also be shown as 816f070d0404ffff or 0x816f070d0404ffff

Severity: Info

Alert Category: System - Other

Serviceable: No

CIM Information: Prefix: PLAT and ID: 0179

SNMP Trap ID:

Automatically notify Support: No

User response: Information only; no action is required.

816f070d-0405ffff Rebuild completed for Array in system [ComputerSystemElementName].

Explanation: The rebuild of the RAID array (Drive 5) has completed.

May also be shown as 816f070d0405ffff or 0x816f070d0405ffff

Severity: Info

Alert Category: System - Other

Serviceable: No

CIM Information: Prefix: PLAT and ID: 0179

SNMP Trap ID:

Automatically notify Support: No

User response: Information only; no action is required.

816f070d-0406ffff Rebuild completed for Array in system [ComputerSystemElementName].

Explanation: The rebuild of the RAID array (Drive 6) has completed.

May also be shown as 816f070d0406ffff or 0x816f070d0406ffff

Severity: Info

Alert Category: System - Other

Serviceable: No

CIM Information: Prefix: PLAT and ID: 0179

SNMP Trap ID:

Automatically notify Support: No

User response: Information only; no action is required.

816f070d-0407ffff Rebuild completed for Array in system [ComputerSystemElementName].

Explanation: The rebuild of the RAID array (Drive 7) has completed.

May also be shown as 816f070d0407ffff or 0x816f070d0407ffff

Severity: Info

Alert Category: System - Other

Serviceable: No

CIM Information: Prefix: PLAT and ID: 0179

SNMP Trap ID:

Automatically notify Support: No

User response: Information only; no action is required.

816f0807-0301ffff [ProcessorElementName] has been Enabled.

Explanation: A processor has been enabled.

May also be shown as 816f08070301ffff or 0x816f08070301ffff

Severity: Info

Alert Category: System - Other

Serviceable: No

CIM Information: Prefix: PLAT and ID: 0060

SNMP Trap ID:

Automatically notify Support: No

User response: Information only; no action is required.

816f0807-0302ffff [ProcessorElementName] has been Enabled.

Explanation: A processor has been enabled.

May also be shown as 816f08070302ffff or 0x816f08070302ffff

Severity: Info

816f0807-2584ffff • 816f0813-2584ffff

Alert Category: System - Other

Serviceable: No

CIM Information: Prefix: PLAT and ID: 0060

SNMP Trap ID:

Automatically notify Support: No

User response: Information only; no action is required.

816f0807-2584ffff [ProcessorElementName] has been Enabled.

Explanation: A processor has been enabled. All CPUs. One of CPUs.

May also be shown as 816f08072584ffff or 0x816f08072584ffff

Severity: Info

Alert Category: System - Other

Serviceable: No

CIM Information: Prefix: PLAT and ID: 0060

SNMP Trap ID:

Automatically notify Support: No

User response: Information only; no action is required.

816f0813-2581ffff Bus [SensorElementName] has recovered from an Uncorrectable Bus Error.

Explanation: The system has recovered from a bus uncorrectable error. DIMMs.

May also be shown as 816f08132581ffff or 0x816f08132581ffff

Severity: Info

Alert Category: Critical - Other

Serviceable: No

CIM Information: Prefix: PLAT and ID: 0241

SNMP Trap ID: 50

Automatically notify Support: No

User response: Information only; no action is required.

816f0813-2584ffff Bus [SensorElementName] has recovered from an Uncorrectable Bus Error.

Explanation: A Bus Uncorrectable Error has recovered. CPUs.

May also be shown as 816f08132584ffff or 0x816f08132584ffff

Severity: Info

Alert Category: Critical - Other

Serviceable: No

CIM Information: Prefix: PLAT and ID: 0241

SNMP Trap ID: 50

Automatically notify Support: No

User response: Information only; no action is required.

816f090c-2001ffff [PhysicalMemoryElementName] on Subsystem [MemoryElementName] is no longer Throttled.

Explanation: Memory DIMM 1 throttling has been turned off.

May also be shown as 816f090c2001ffff or 0x816f090c2001ffff

Severity: Info

Alert Category: System - Other

Serviceable: No

CIM Information: Prefix: PLAT and ID: 0143

SNMP Trap ID:

Automatically notify Support: No

User response: Information only; no action is required.

816f090c-2002ffff [PhysicalMemoryElementName] on Subsystem [MemoryElementName] is no longer Throttled.

Explanation: Memory DIMM 2 throttling has been turned off.

May also be shown as 816f090c2002ffff or 0x816f090c2002ffff

Severity: Info

Alert Category: System - Other

Serviceable: No

CIM Information: Prefix: PLAT and ID: 0143

SNMP Trap ID:

Automatically notify Support: No

User response: Information only; no action is required.

816f090c-2003ffff [PhysicalMemoryElementName] on Subsystem [MemoryElementName] is no longer Throttled.

Explanation: Memory DIMM 3 throttling has been turned off.

May also be shown as 816f090c2003ffff or 0x816f090c2003ffff

Severity: Info

Alert Category: System - Other

Serviceable: No

CIM Information: Prefix: PLAT and ID: 0143

SNMP Trap ID:

Automatically notify Support: No

User response: Information only; no action is required.

816f090c-2004ffff [PhysicalMemoryElementName] on Subsystem [MemoryElementName] is no longer Throttled.

Explanation: Memory DIMM 4 throttling has been turned off.

May also be shown as 816f090c2004ffff or 0x816f090c2004ffff

Severity: Info

Alert Category: System - Other

Serviceable: No

CIM Information: Prefix: PLAT and ID: 0143

816f090c-2005ffff • 816f090c-2008ffff

SNMP Trap ID:

Automatically notify Support: No

User response: Information only; no action is required.

816f090c-2005ffff [PhysicalMemoryElementName] on Subsystem [MemoryElementName] is no longer Throttled.

Explanation: Memory DIMM 5 throttling has been turned off.

May also be shown as 816f090c2005ffff or 0x816f090c2005ffff

Severity: Info

Alert Category: System - Other

Serviceable: No

CIM Information: Prefix: PLAT and ID: 0143

SNMP Trap ID:

Automatically notify Support: No

User response: Information only; no action is required.

816f090c-2006ffff [PhysicalMemoryElementName] on Subsystem [MemoryElementName] is no longer Throttled.

Explanation: Memory DIMM 6 throttling has been turned off.

May also be shown as 816f090c2006ffff or 0x816f090c2006ffff

Severity: Info

Alert Category: System - Other

Serviceable: No

CIM Information: Prefix: PLAT and ID: 0143

SNMP Trap ID:

Automatically notify Support: No

User response: Information only; no action is required.

816f090c-2007ffff [PhysicalMemoryElementName] on Subsystem [MemoryElementName] is no longer Throttled.

Explanation: Memory DIMM 7 throttling has been turned off.

May also be shown as 816f090c2007ffff or 0x816f090c2007ffff

Severity: Info

Alert Category: System - Other

Serviceable: No

CIM Information: Prefix: PLAT and ID: 0143

SNMP Trap ID:

Automatically notify Support: No

User response: Information only; no action is required.

816f090c-2008ffff [PhysicalMemoryElementName] on Subsystem [MemoryElementName] is no longer Throttled.

Explanation: Memory DIMM 8 throttling has been turned off.

May also be shown as 816f090c2008ffff or 0x816f090c2008ffff

Severity: Info

Alert Category: System - Other

Serviceable: No

CIM Information: Prefix: PLAT and ID: 0143

SNMP Trap ID:

Automatically notify Support: No

User response: Information only; no action is required.

816f090c-2009ffff [PhysicalMemoryElementName] on Subsystem [MemoryElementName] is no longer Throttled.

Explanation: Memory DIMM 9 throttling has been turned off.

May also be shown as 816f090c2009ffff or 0x816f090c2009ffff

Severity: Info

Alert Category: System - Other

Serviceable: No

CIM Information: Prefix: PLAT and ID: 0143

SNMP Trap ID:

Automatically notify Support: No

User response: Information only; no action is required.

816f090c-200affff [PhysicalMemoryElementName] on Subsystem [MemoryElementName] is no longer Throttled.

Explanation: Memory DIMM 10 throttling has been turned off.

May also be shown as 816f090c200affff or 0x816f090c200affff

Severity: Info

Alert Category: System - Other

Serviceable: No

CIM Information: Prefix: PLAT and ID: 0143

SNMP Trap ID:

Automatically notify Support: No

User response: Information only; no action is required.

816f090c-200bffff [PhysicalMemoryElementName] on Subsystem [MemoryElementName] is no longer Throttled.

Explanation: Memory DIMM 11 throttling has been turned off.

May also be shown as 816f090c200bffff or 0x816f090c200bffff

Severity: Info

Alert Category: System - Other

Serviceable: No

CIM Information: Prefix: PLAT and ID: 0143

SNMP Trap ID:

Automatically notify Support: No

User response: Information only; no action is required.

816f090c-200cffff • 816f090c-200ffff

816f090c-200cffff [PhysicalMemoryElementName] on Subsystem [MemoryElementName] is no longer Throttled.

Explanation: Memory DIMM 12 throttling has been turned off.

May also be shown as 816f090c200cffff or 0x816f090c200cffff

Severity: Info

Alert Category: System - Other

Serviceable: No

CIM Information: Prefix: PLAT and ID: 0143

SNMP Trap ID:

Automatically notify Support: No

User response: Information only; no action is required.

816f090c-200dffff [PhysicalMemoryElementName] on Subsystem [MemoryElementName] is no longer Throttled.

Explanation: Memory DIMM 13 throttling has been turned off.

May also be shown as 816f090c200dffff or 0x816f090c200dffff

Severity: Info

Alert Category: System - Other

Serviceable: No

CIM Information: Prefix: PLAT and ID: 0143

SNMP Trap ID:

Automatically notify Support: No

User response: Information only; no action is required.

816f090c-200effff [PhysicalMemoryElementName] on Subsystem [MemoryElementName] is no longer Throttled.

Explanation: Memory DIMM 14 throttling has been turned off.

May also be shown as 816f090c200effff or 0x816f090c200effff

Severity: Info

Alert Category: System - Other

Serviceable: No

CIM Information: Prefix: PLAT and ID: 0143

SNMP Trap ID:

Automatically notify Support: No

User response: Information only; no action is required.

816f090c-200fffff [PhysicalMemoryElementName] on Subsystem [MemoryElementName] is no longer Throttled.

Explanation: Memory DIMM 15 throttling has been turned off.

May also be shown as 816f090c200fffff or 0x816f090c200fffff

Severity: Info

Alert Category: System - Other

Serviceable: No

CIM Information: Prefix: PLAT and ID: 0143

SNMP Trap ID:

Automatically notify Support: No

User response: Information only; no action is required.

816f090c-2010ffff [PhysicalMemoryElementName] on Subsystem [MemoryElementName] is no longer Throttled.

Explanation: Memory DIMM 16 throttling has been turned off.

May also be shown as 816f090c2010ffff or 0x816f090c2010ffff

Severity: Info

Alert Category: System - Other

Serviceable: No

CIM Information: Prefix: PLAT and ID: 0143

SNMP Trap ID:

Automatically notify Support: No

User response: Information only; no action is required.

816f090c-2011ffff [PhysicalMemoryElementName] on Subsystem [MemoryElementName] is no longer Throttled.

Explanation: Memory DIMM 17 throttling has been turned off.

May also be shown as 816f090c2011ffff or 0x816f090c2011ffff

Severity: Info

Alert Category: System - Other

Serviceable: No

CIM Information: Prefix: PLAT and ID: 0143

SNMP Trap ID:

Automatically notify Support: No

User response: Information only; no action is required.

816f090c-2012ffff [PhysicalMemoryElementName] on Subsystem [MemoryElementName] is no longer Throttled.

Explanation: Memory DIMM 18 throttling has been turned off.

May also be shown as 816f090c2012ffff or 0x816f090c2012ffff

Severity: Info

Alert Category: System - Other

Serviceable: No

CIM Information: Prefix: PLAT and ID: 0143

SNMP Trap ID:

Automatically notify Support: No

User response: Information only; no action is required.

816f090c-2013ffff [PhysicalMemoryElementName] on Subsystem [MemoryElementName] is no longer Throttled.

Explanation: Memory DIMM 19 throttling has been turned off.

May also be shown as 816f090c2013ffff or 0x816f090c2013ffff

Severity: Info

816f090c-2014ffff • 816f090c-2016ffff

Alert Category: System - Other

Serviceable: No

CIM Information: Prefix: PLAT and ID: 0143

SNMP Trap ID:

Automatically notify Support: No

User response: Information only; no action is required.

816f090c-2014ffff [PhysicalMemoryElementName] on Subsystem [MemoryElementName] is no longer Throttled.

Explanation: Memory DIMM 20 throttling has been turned off.

May also be shown as 816f090c2014ffff or 0x816f090c2014ffff

Severity: Info

Alert Category: System - Other

Serviceable: No

CIM Information: Prefix: PLAT and ID: 0143

SNMP Trap ID:

Automatically notify Support: No

User response: Information only; no action is required.

816f090c-2015ffff [PhysicalMemoryElementName] on Subsystem [MemoryElementName] is no longer Throttled.

Explanation: Memory DIMM 21 throttling has been turned off.

May also be shown as 816f090c2015ffff or 0x816f090c2015ffff

Severity: Info

Alert Category: System - Other

Serviceable: No

CIM Information: Prefix: PLAT and ID: 0143

SNMP Trap ID:

Automatically notify Support: No

User response: Information only; no action is required.

816f090c-2016ffff [PhysicalMemoryElementName] on Subsystem [MemoryElementName] is no longer Throttled.

Explanation: Memory DIMM 22 throttling has been turned off.

May also be shown as 816f090c2016ffff or 0x816f090c2016ffff

Severity: Info

Alert Category: System - Other

Serviceable: No

CIM Information: Prefix: PLAT and ID: 0143

SNMP Trap ID:

Automatically notify Support: No

User response: Information only; no action is required.

816f090c-2017ffff [PhysicalMemoryElementName] on Subsystem [MemoryElementName] is no longer Throttled.

Explanation: Memory DIMM 23 throttling has been turned off.

May also be shown as 816f090c2017ffff or 0x816f090c2017ffff

Severity: Info

Alert Category: System - Other

Serviceable: No

CIM Information: Prefix: PLAT and ID: 0143

SNMP Trap ID:

Automatically notify Support: No

User response: Information only; no action is required.

816f090c-2018ffff [PhysicalMemoryElementName] on Subsystem [MemoryElementName] is no longer Throttled.

Explanation: Memory DIMM 24 throttling has been turned off.

May also be shown as 816f090c2018ffff or 0x816f090c2018ffff

Severity: Info

Alert Category: System - Other

Serviceable: No

CIM Information: Prefix: PLAT and ID: 0143

SNMP Trap ID:

Automatically notify Support: No

User response: Information only; no action is required.

816f090c-2019ffff [PhysicalMemoryElementName] on Subsystem [MemoryElementName] is no longer Throttled.

Explanation: Memory DIMM 25 throttling has been turned off.

May also be shown as 816f090c2019ffff or 0x816f090c2019ffff

Severity: Info

Alert Category: System - Other

Serviceable: No

CIM Information: Prefix: PLAT and ID: 0143

SNMP Trap ID:

Automatically notify Support: No

User response: Information only; no action is required.

816f090c-201affff [PhysicalMemoryElementName] on Subsystem [MemoryElementName] is no longer Throttled.

Explanation: Memory DIMM 26 throttling has been turned off.

May also be shown as 816f090c201affff or 0x816f090c201affff

Severity: Info

Alert Category: System - Other

Serviceable: No

CIM Information: Prefix: PLAT and ID: 0143

816f090c-201bffff • 816f090c-201effff

SNMP Trap ID:

Automatically notify Support: No

User response: Information only; no action is required.

816f090c-201bffff [PhysicalMemoryElementName] on Subsystem [MemoryElementName] is no longer Throttled.

Explanation: Memory DIMM 27 throttling has been turned off.

May also be shown as 816f090c201bffff or 0x816f090c201bffff

Severity: Info

Alert Category: System - Other

Serviceable: No

CIM Information: Prefix: PLAT and ID: 0143

SNMP Trap ID:

Automatically notify Support: No

User response: Information only; no action is required.

816f090c-201cffff [PhysicalMemoryElementName] on Subsystem [MemoryElementName] is no longer Throttled.

Explanation: Memory DIMM 28 throttling has been turned off.

May also be shown as 816f090c201cffff or 0x816f090c201cffff

Severity: Info

Alert Category: System - Other

Serviceable: No

CIM Information: Prefix: PLAT and ID: 0143

SNMP Trap ID:

Automatically notify Support: No

User response: Information only; no action is required.

816f090c-201dffff [PhysicalMemoryElementName] on Subsystem [MemoryElementName] is no longer Throttled.

Explanation: Memory DIMM 29 throttling has been turned off.

May also be shown as 816f090c201dffff or 0x816f090c201dffff

Severity: Info

Alert Category: System - Other

Serviceable: No

CIM Information: Prefix: PLAT and ID: 0143

SNMP Trap ID:

Automatically notify Support: No

User response: Information only; no action is required.

816f090c-201effff [PhysicalMemoryElementName] on Subsystem [MemoryElementName] is no longer Throttled.

Explanation: Memory DIMM 30 throttling has been turned off.

May also be shown as 816f090c201effff or 0x816f090c201effff

Severity: Info

Alert Category: System - Other

Serviceable: No

CIM Information: Prefix: PLAT and ID: 0143

SNMP Trap ID:

Automatically notify Support: No

User response: Information only; no action is required.

816f090c-201ffff [PhysicalMemoryElementName] on Subsystem [MemoryElementName] is no longer Throttled.

Explanation: Memory DIMM 31 throttling has been turned off.

May also be shown as 816f090c201ffff or 0x816f090c201ffff

Severity: Info

Alert Category: System - Other

Serviceable: No

CIM Information: Prefix: PLAT and ID: 0143

SNMP Trap ID:

Automatically notify Support: No

User response: Information only; no action is required.

816f090c-2020ffff [PhysicalMemoryElementName] on Subsystem [MemoryElementName] is no longer Throttled.

Explanation: Memory DIMM 32 throttling has been turned off.

May also be shown as 816f090c2020ffff or 0x816f090c2020ffff

Severity: Info

Alert Category: System - Other

Serviceable: No

CIM Information: Prefix: PLAT and ID: 0143

SNMP Trap ID:

Automatically notify Support: No

User response: Information only; no action is required.

816f090c-2021ffff [PhysicalMemoryElementName] on Subsystem [MemoryElementName] is no longer Throttled.

Explanation: Memory DIMM 33 throttling has been turned off.

May also be shown as 816f090c2021ffff or 0x816f090c2021ffff

Severity: Info

Alert Category: System - Other

Serviceable: No

CIM Information: Prefix: PLAT and ID: 0143

SNMP Trap ID:

Automatically notify Support: No

User response: Information only; no action is required.

816f090c-2022ffff [PhysicalMemoryElementName] on Subsystem [MemoryElementName] is no longer Throttled.

Explanation: Memory DIMM 34 throttling has been turned off.

May also be shown as 816f090c2022ffff or 0x816f090c2022ffff

Severity: Info

Alert Category: System - Other

Serviceable: No

CIM Information: Prefix: PLAT and ID: 0143

SNMP Trap ID:

Automatically notify Support: No

User response: Information only; no action is required.

816f090c-2023ffff [PhysicalMemoryElementName] on Subsystem [MemoryElementName] is no longer Throttled.

Explanation: Memory DIMM 35 throttling has been turned off.

May also be shown as 816f090c2023ffff or 0x816f090c2023ffff

Severity: Info

Alert Category: System - Other

Serviceable: No

CIM Information: Prefix: PLAT and ID: 0143

SNMP Trap ID:

Automatically notify Support: No

User response: Information only; no action is required.

816f090c-2024ffff [PhysicalMemoryElementName] on Subsystem [MemoryElementName] is no longer Throttled.

Explanation: Memory DIMM 36 throttling has been turned off.

May also be shown as 816f090c2024ffff or 0x816f090c2024ffff

Severity: Info

Alert Category: System - Other

Serviceable: No

CIM Information: Prefix: PLAT and ID: 0143

SNMP Trap ID:

Automatically notify Support: No

User response: Information only; no action is required.

816f090c-2025ffff [PhysicalMemoryElementName] on Subsystem [MemoryElementName] is no longer Throttled.

Explanation: Memory DIMM 37 throttling has been turned off.

May also be shown as 816f090c2025ffff or 0x816f090c2025ffff

Severity: Info

Alert Category: System - Other

Serviceable: No

CIM Information: Prefix: PLAT and ID: 0143

SNMP Trap ID:

Automatically notify Support: No

User response: Information only; no action is required.

816f090c-2026ffff [PhysicalMemoryElementName] on Subsystem [MemoryElementName] is no longer Throttled.

Explanation: Memory DIMM 38 throttling has been turned off.

May also be shown as 816f090c2026ffff or 0x816f090c2026ffff

Severity: Info

Alert Category: System - Other

Serviceable: No

CIM Information: Prefix: PLAT and ID: 0143

SNMP Trap ID:

Automatically notify Support: No

User response: Information only; no action is required.

816f090c-2027ffff [PhysicalMemoryElementName] on Subsystem [MemoryElementName] is no longer Throttled.

Explanation: Memory DIMM 39 throttling has been turned off.

May also be shown as 816f090c2027ffff or 0x816f090c2027ffff

Severity: Info

Alert Category: System - Other

Serviceable: No

CIM Information: Prefix: PLAT and ID: 0143

SNMP Trap ID:

Automatically notify Support: No

User response: Information only; no action is required.

816f090c-2028ffff [PhysicalMemoryElementName] on Subsystem [MemoryElementName] is no longer Throttled.

Explanation: Memory DIMM 40 throttling has been turned off.

May also be shown as 816f090c2028ffff or 0x816f090c2028ffff

Severity: Info

Alert Category: System - Other

Serviceable: No

CIM Information: Prefix: PLAT and ID: 0143

SNMP Trap ID:

Automatically notify Support: No

User response: Information only; no action is required.

816f090c-2029ffff [PhysicalMemoryElementName] on Subsystem [MemoryElementName] is no longer Throttled.

Explanation: Memory DIMM 41 throttling has been turned off.

May also be shown as 816f090c2029ffff or 0x816f090c2029ffff

Severity: Info

816f090c-202affff • 816f090c-202cffff

Alert Category: System - Other

Serviceable: No

CIM Information: Prefix: PLAT and ID: 0143

SNMP Trap ID:

Automatically notify Support: No

User response: Information only; no action is required.

816f090c-202affff [PhysicalMemoryElementName] on Subsystem [MemoryElementName] is no longer Throttled.

Explanation: Memory DIMM 42 throttling has been turned off.

May also be shown as 816f090c202affff or 0x816f090c202affff

Severity: Info

Alert Category: System - Other

Serviceable: No

CIM Information: Prefix: PLAT and ID: 0143

SNMP Trap ID:

Automatically notify Support: No

User response: Information only; no action is required.

816f090c-202bffff [PhysicalMemoryElementName] on Subsystem [MemoryElementName] is no longer Throttled.

Explanation: Memory DIMM 43 throttling has been turned off.

May also be shown as 816f090c202bffff or 0x816f090c202bffff

Severity: Info

Alert Category: System - Other

Serviceable: No

CIM Information: Prefix: PLAT and ID: 0143

SNMP Trap ID:

Automatically notify Support: No

User response: Information only; no action is required.

816f090c-202cffff [PhysicalMemoryElementName] on Subsystem [MemoryElementName] is no longer Throttled.

Explanation: Memory DIMM 44 throttling has been turned off.

May also be shown as 816f090c202cffff or 0x816f090c202cffff

Severity: Info

Alert Category: System - Other

Serviceable: No

CIM Information: Prefix: PLAT and ID: 0143

SNMP Trap ID:

Automatically notify Support: No

User response: Information only; no action is required.

816f090c-202dffff [PhysicalMemoryElementName] on Subsystem [MemoryElementName] is no longer Throttled.

Explanation: Memory DIMM 45 throttling has been turned off.

May also be shown as 816f090c202dffff or 0x816f090c202dffff

Severity: Info

Alert Category: System - Other

Serviceable: No

CIM Information: Prefix: PLAT and ID: 0143

SNMP Trap ID:

Automatically notify Support: No

User response: Information only; no action is required.

816f090c-202effff [PhysicalMemoryElementName] on Subsystem [MemoryElementName] is no longer Throttled.

Explanation: Memory DIMM 46 throttling has been turned off.

May also be shown as 816f090c202effff or 0x816f090c202effff

Severity: Info

Alert Category: System - Other

Serviceable: No

CIM Information: Prefix: PLAT and ID: 0143

SNMP Trap ID:

Automatically notify Support: No

User response: Information only; no action is required.

816f090c-202fffff [PhysicalMemoryElementName] on Subsystem [MemoryElementName] is no longer Throttled.

Explanation: Memory DIMM 47 throttling has been turned off.

May also be shown as 816f090c202fffff or 0x816f090c202fffff

Severity: Info

Alert Category: System - Other

Serviceable: No

CIM Information: Prefix: PLAT and ID: 0143

SNMP Trap ID:

Automatically notify Support: No

User response: Information only; no action is required.

816f090c-2030ffff [PhysicalMemoryElementName] on Subsystem [MemoryElementName] is no longer Throttled.

Explanation: Memory DIMM 48 throttling has been turned off.

May also be shown as 816f090c2030ffff or 0x816f090c2030ffff

Severity: Info

Alert Category: System - Other

Serviceable: No

CIM Information: Prefix: PLAT and ID: 0143

816f0a07-0301ffff • 816f0a0c-2001ffff

SNMP Trap ID:

Automatically notify Support: No

User response: Information only; no action is required.

816f0a07-0301ffff The Processor [ProcessorElementName] is no longer operating in a Degraded State.

Explanation: The microprocessor 1 is no longer being throttled. (or ... has been turned off.)

May also be shown as 816f0a070301ffff or 0x816f0a070301ffff

Severity: Info

Alert Category: Warning - CPU

Serviceable: No

CIM Information: Prefix: PLAT and ID: 0039

SNMP Trap ID: 42

Automatically notify Support: No

User response: Information only; no action is required.

816f0a07-0302ffff The Processor [ProcessorElementName] is no longer operating in a Degraded State.

Explanation: The microprocessor 2 is no longer being throttled. (or ... has been turned off.)

May also be shown as 816f0a070302ffff or 0x816f0a070302ffff

Severity: Info

Alert Category: Warning - CPU

Serviceable: No

CIM Information: Prefix: PLAT and ID: 0039

SNMP Trap ID: 42

Automatically notify Support: No

User response: Information only; no action is required.

816f0a07-2584ffff The Processor [ProcessorElementName] is no longer operating in a Degraded State.

Explanation: The microprocessor is no longer being throttled. (or ... has been turned off.) All CPUs. One of CPUs.

May also be shown as 816f0a072584ffff or 0x816f0a072584ffff

Severity: Info

Alert Category: Warning - CPU

Serviceable: No

CIM Information: Prefix: PLAT and ID: 0039

SNMP Trap ID: 42

Automatically notify Support: No

User response: Information only; no action is required.

816f0a0c-2001ffff An Over-Temperature Condition has been removed on the [PhysicalMemoryElementName] on Subsystem [MemoryElementName].

Explanation: Memory DIMM 1 is no longer in an over-temperature condition.

May also be shown as 816f0a0c2001ffff or 0x816f0a0c2001ffff

Severity: Info

Alert Category: Critical - Temperature

Serviceable: No

CIM Information: Prefix: PLAT and ID: 0147

SNMP Trap ID: 0

Automatically notify Support: No

User response: Information only; no action is required.

816f0a0c-2002ffff An Over-Temperature Condition has been removed on the [PhysicalMemoryElementName] on Subsystem [MemoryElementName].

Explanation: Memory DIMM 2 is no longer in an over-temperature condition.

May also be shown as 816f0a0c2002ffff or 0x816f0a0c2002ffff

Severity: Info

Alert Category: Critical - Temperature

Serviceable: No

CIM Information: Prefix: PLAT and ID: 0147

SNMP Trap ID: 0

Automatically notify Support: No

User response: Information only; no action is required.

816f0a0c-2003ffff An Over-Temperature Condition has been removed on the [PhysicalMemoryElementName] on Subsystem [MemoryElementName].

Explanation: Memory DIMM 3 is no longer in an over-temperature condition.

May also be shown as 816f0a0c2003ffff or 0x816f0a0c2003ffff

Severity: Info

Alert Category: Critical - Temperature

Serviceable: No

CIM Information: Prefix: PLAT and ID: 0147

SNMP Trap ID: 0

Automatically notify Support: No

User response: Information only; no action is required.

816f0a0c-2004ffff An Over-Temperature Condition has been removed on the [PhysicalMemoryElementName] on Subsystem [MemoryElementName].

Explanation: Memory DIMM 4 is no longer in an over-temperature condition.

May also be shown as 816f0a0c2004ffff or 0x816f0a0c2004ffff

Severity: Info

Alert Category: Critical - Temperature

Serviceable: No

CIM Information: Prefix: PLAT and ID: 0147

SNMP Trap ID: 0

Automatically notify Support: No

816f0a0c-2005ffff • 816f0a0c-2008ffff

User response: Information only; no action is required.

816f0a0c-2005ffff An Over-Temperature Condition has been removed on the [PhysicalMemoryElementName] on Subsystem [MemoryElementName].

Explanation: Memory DIMM 5 is no longer in an over-temperature condition.

May also be shown as 816f0a0c2005ffff or 0x816f0a0c2005ffff

Severity: Info

Alert Category: Critical - Temperature

Serviceable: No

CIM Information: Prefix: PLAT and ID: 0147

SNMP Trap ID: 0

Automatically notify Support: No

User response: Information only; no action is required.

816f0a0c-2006ffff An Over-Temperature Condition has been removed on the [PhysicalMemoryElementName] on Subsystem [MemoryElementName].

Explanation: Memory DIMM 6 is no longer in an over-temperature condition.

May also be shown as 816f0a0c2006ffff or 0x816f0a0c2006ffff

Severity: Info

Alert Category: Critical - Temperature

Serviceable: No

CIM Information: Prefix: PLAT and ID: 0147

SNMP Trap ID: 0

Automatically notify Support: No

User response: Information only; no action is required.

816f0a0c-2007ffff An Over-Temperature Condition has been removed on the [PhysicalMemoryElementName] on Subsystem [MemoryElementName].

Explanation: Memory DIMM 7 is no longer in an over-temperature condition.

May also be shown as 816f0a0c2007ffff or 0x816f0a0c2007ffff

Severity: Info

Alert Category: Critical - Temperature

Serviceable: No

CIM Information: Prefix: PLAT and ID: 0147

SNMP Trap ID: 0

Automatically notify Support: No

User response: Information only; no action is required.

816f0a0c-2008ffff An Over-Temperature Condition has been removed on the [PhysicalMemoryElementName] on Subsystem [MemoryElementName].

Explanation: Memory DIMM 8 is no longer in an over-temperature condition.

May also be shown as 816f0a0c2008ffff or 0x816f0a0c2008ffff

Severity: Info

Alert Category: Critical - Temperature

Serviceable: No

CIM Information: Prefix: PLAT and ID: 0147

SNMP Trap ID: 0

Automatically notify Support: No

User response: Information only; no action is required.

816f0a0c-2009ffff An Over-Temperature Condition has been removed on the [PhysicalMemoryElementName] on Subsystem [MemoryElementName].

Explanation: Memory DIMM 9 is no longer in an over-temperature condition.

May also be shown as 816f0a0c2009ffff or 0x816f0a0c2009ffff

Severity: Info

Alert Category: Critical - Temperature

Serviceable: No

CIM Information: Prefix: PLAT and ID: 0147

SNMP Trap ID: 0

Automatically notify Support: No

User response: Information only; no action is required.

816f0a0c-200affff An Over-Temperature Condition has been removed on the [PhysicalMemoryElementName] on Subsystem [MemoryElementName].

Explanation: Memory DIMM 10 is no longer in an over-temperature condition.

May also be shown as 816f0a0c200affff or 0x816f0a0c200affff

Severity: Info

Alert Category: Critical - Temperature

Serviceable: No

CIM Information: Prefix: PLAT and ID: 0147

SNMP Trap ID: 0

Automatically notify Support: No

User response: Information only; no action is required.

816f0a0c-200bffff An Over-Temperature Condition has been removed on the [PhysicalMemoryElementName] on Subsystem [MemoryElementName].

Explanation: Memory DIMM 11 is no longer in an over-temperature condition.

May also be shown as 816f0a0c200bffff or 0x816f0a0c200bffff

Severity: Info

Alert Category: Critical - Temperature

Serviceable: No

CIM Information: Prefix: PLAT and ID: 0147

SNMP Trap ID: 0

Automatically notify Support: No

User response: Information only; no action is required.

816f0a0c-200cffff • 816f0a0c-200fffff

816f0a0c-200cffff An Over-Temperature Condition has been removed on the [PhysicalMemoryElementName] on Subsystem [MemoryElementName].

Explanation: Memory DIMM 12 is no longer in an over-temperature condition.

May also be shown as 816f0a0c200cffff or 0x816f0a0c200cffff

Severity: Info

Alert Category: Critical - Temperature

Serviceable: No

CIM Information: Prefix: PLAT and ID: 0147

SNMP Trap ID: 0

Automatically notify Support: No

User response: Information only; no action is required.

816f0a0c-200dffff An Over-Temperature Condition has been removed on the [PhysicalMemoryElementName] on Subsystem [MemoryElementName].

Explanation: Memory DIMM 13 is no longer in an over-temperature condition.

May also be shown as 816f0a0c200dffff or 0x816f0a0c200dffff

Severity: Info

Alert Category: Critical - Temperature

Serviceable: No

CIM Information: Prefix: PLAT and ID: 0147

SNMP Trap ID: 0

Automatically notify Support: No

User response: Information only; no action is required.

816f0a0c-200effff An Over-Temperature Condition has been removed on the [PhysicalMemoryElementName] on Subsystem [MemoryElementName].

Explanation: Memory DIMM 14 is no longer in an over-temperature condition.

May also be shown as 816f0a0c200effff or 0x816f0a0c200effff

Severity: Info

Alert Category: Critical - Temperature

Serviceable: No

CIM Information: Prefix: PLAT and ID: 0147

SNMP Trap ID: 0

Automatically notify Support: No

User response: Information only; no action is required.

816f0a0c-200fffff An Over-Temperature Condition has been removed on the [PhysicalMemoryElementName] on Subsystem [MemoryElementName].

Explanation: Memory DIMM 15 is no longer in an over-temperature condition.

May also be shown as 816f0a0c200fffff or 0x816f0a0c200fffff

Severity: Info

Alert Category: Critical - Temperature

Serviceable: No

CIM Information: Prefix: PLAT and ID: 0147

SNMP Trap ID: 0

Automatically notify Support: No

User response: Information only; no action is required.

816f0a0c-2010ffff An Over-Temperature Condition has been removed on the [PhysicalMemoryElementName] on Subsystem [MemoryElementName].

Explanation: Memory DIMM 16 is no longer in an over-temperature condition.

May also be shown as 816f0a0c2010ffff or 0x816f0a0c2010ffff

Severity: Info

Alert Category: Critical - Temperature

Serviceable: No

CIM Information: Prefix: PLAT and ID: 0147

SNMP Trap ID: 0

Automatically notify Support: No

User response: Information only; no action is required.

816f0a0c-2011ffff An Over-Temperature Condition has been removed on the [PhysicalMemoryElementName] on Subsystem [MemoryElementName].

Explanation: Memory DIMM 17 is no longer in an over-temperature condition.

May also be shown as 816f0a0c2011ffff or 0x816f0a0c2011ffff

Severity: Info

Alert Category: Critical - Temperature

Serviceable: No

CIM Information: Prefix: PLAT and ID: 0147

SNMP Trap ID: 0

Automatically notify Support: No

User response: Information only; no action is required.

816f0a0c-2012ffff An Over-Temperature Condition has been removed on the [PhysicalMemoryElementName] on Subsystem [MemoryElementName].

Explanation: Memory DIMM 18 is no longer in an over-temperature condition.

May also be shown as 816f0a0c2012ffff or 0x816f0a0c2012ffff

Severity: Info

Alert Category: Critical - Temperature

Serviceable: No

CIM Information: Prefix: PLAT and ID: 0147

SNMP Trap ID: 0

Automatically notify Support: No

User response: Information only; no action is required.

816f0a0c-2013ffff • 816f0a0c-2016ffff

816f0a0c-2013ffff An Over-Temperature Condition has been removed on the [PhysicalMemoryElementName] on Subsystem [MemoryElementName].

Explanation: Memory DIMM 19 is no longer in an over-temperature condition.

May also be shown as 816f0a0c2013ffff or 0x816f0a0c2013ffff

Severity: Info

Alert Category: Critical - Temperature

Serviceable: No

CIM Information: Prefix: PLAT and ID: 0147

SNMP Trap ID: 0

Automatically notify Support: No

User response: Information only; no action is required.

816f0a0c-2014ffff An Over-Temperature Condition has been removed on the [PhysicalMemoryElementName] on Subsystem [MemoryElementName].

Explanation: Memory DIMM 20 is no longer in an over-temperature condition.

May also be shown as 816f0a0c2014ffff or 0x816f0a0c2014ffff

Severity: Info

Alert Category: Critical - Temperature

Serviceable: No

CIM Information: Prefix: PLAT and ID: 0147

SNMP Trap ID: 0

Automatically notify Support: No

User response: Information only; no action is required.

816f0a0c-2015ffff An Over-Temperature Condition has been removed on the [PhysicalMemoryElementName] on Subsystem [MemoryElementName].

Explanation: Memory DIMM 21 is no longer in an over-temperature condition.

May also be shown as 816f0a0c2015ffff or 0x816f0a0c2015ffff

Severity: Info

Alert Category: Critical - Temperature

Serviceable: No

CIM Information: Prefix: PLAT and ID: 0147

SNMP Trap ID: 0

Automatically notify Support: No

User response: Information only; no action is required.

816f0a0c-2016ffff An Over-Temperature Condition has been removed on the [PhysicalMemoryElementName] on Subsystem [MemoryElementName].

Explanation: Memory DIMM 22 is no longer in an over-temperature condition.

May also be shown as 816f0a0c2016ffff or 0x816f0a0c2016ffff

Severity: Info

Alert Category: Critical - Temperature

Serviceable: No

CIM Information: Prefix: PLAT and ID: 0147

SNMP Trap ID: 0

Automatically notify Support: No

User response: Information only; no action is required.

816f0a0c-2017ffff An Over-Temperature Condition has been removed on the [PhysicalMemoryElementName] on Subsystem [MemoryElementName].

Explanation: Memory DIMM 23 is no longer in an over-temperature condition.

May also be shown as 816f0a0c2017ffff or 0x816f0a0c2017ffff

Severity: Info

Alert Category: Critical - Temperature

Serviceable: No

CIM Information: Prefix: PLAT and ID: 0147

SNMP Trap ID: 0

Automatically notify Support: No

User response: Information only; no action is required.

816f0a0c-2018ffff An Over-Temperature Condition has been removed on the [PhysicalMemoryElementName] on Subsystem [MemoryElementName].

Explanation: Memory DIMM 24 is no longer in an over-temperature condition.

May also be shown as 816f0a0c2018ffff or 0x816f0a0c2018ffff

Severity: Info

Alert Category: Critical - Temperature

Serviceable: No

CIM Information: Prefix: PLAT and ID: 0147

SNMP Trap ID: 0

Automatically notify Support: No

User response: Information only; no action is required.

816f0a0c-2019ffff An Over-Temperature Condition has been removed on the [PhysicalMemoryElementName] on Subsystem [MemoryElementName].

Explanation: Memory DIMM 25 is no longer in an over-temperature condition.

May also be shown as 816f0a0c2019ffff or 0x816f0a0c2019ffff

Severity: Info

Alert Category: Critical - Temperature

Serviceable: No

CIM Information: Prefix: PLAT and ID: 0147

SNMP Trap ID: 0

Automatically notify Support: No

User response: Information only; no action is required.

816f0a0c-201affff An Over-Temperature Condition has been removed on the [PhysicalMemoryElementName] on Subsystem [MemoryElementName].

Explanation: Memory DIMM 26 is no longer in an over-temperature condition.

May also be shown as 816f0a0c201affff or 0x816f0a0c201affff

Severity: Info

Alert Category: Critical - Temperature

Serviceable: No

CIM Information: Prefix: PLAT and ID: 0147

SNMP Trap ID: 0

Automatically notify Support: No

User response: Information only; no action is required.

816f0a0c-201bffff An Over-Temperature Condition has been removed on the [PhysicalMemoryElementName] on Subsystem [MemoryElementName].

Explanation: Memory DIMM 27 is no longer in an over-temperature condition.

May also be shown as 816f0a0c201bffff or 0x816f0a0c201bffff

Severity: Info

Alert Category: Critical - Temperature

Serviceable: No

CIM Information: Prefix: PLAT and ID: 0147

SNMP Trap ID: 0

Automatically notify Support: No

User response: Information only; no action is required.

816f0a0c-201cffff An Over-Temperature Condition has been removed on the [PhysicalMemoryElementName] on Subsystem [MemoryElementName].

Explanation: Memory DIMM 28 is no longer in an over-temperature condition.

May also be shown as 816f0a0c201cffff or 0x816f0a0c201cffff

Severity: Info

Alert Category: Critical - Temperature

Serviceable: No

CIM Information: Prefix: PLAT and ID: 0147

SNMP Trap ID: 0

Automatically notify Support: No

User response: Information only; no action is required.

816f0a0c-201dffff An Over-Temperature Condition has been removed on the [PhysicalMemoryElementName] on Subsystem [MemoryElementName].

Explanation: Memory DIMM 29 is no longer in an over-temperature condition.

May also be shown as 816f0a0c201dffff or 0x816f0a0c201dffff

Severity: Info

Alert Category: Critical - Temperature

Serviceable: No

CIM Information: Prefix: PLAT and ID: 0147

SNMP Trap ID: 0

Automatically notify Support: No

User response: Information only; no action is required.

816f0a0c-201effff An Over-Temperature Condition has been removed on the [PhysicalMemoryElementName] on Subsystem [MemoryElementName].

Explanation: Memory DIMM 30 is no longer in an over-temperature condition.

May also be shown as 816f0a0c201effff or 0x816f0a0c201effff

Severity: Info

Alert Category: Critical - Temperature

Serviceable: No

CIM Information: Prefix: PLAT and ID: 0147

SNMP Trap ID: 0

Automatically notify Support: No

User response: Information only; no action is required.

816f0a0c-201fffff An Over-Temperature Condition has been removed on the [PhysicalMemoryElementName] on Subsystem [MemoryElementName].

Explanation: Memory DIMM 31 is no longer in an over-temperature condition.

May also be shown as 816f0a0c201fffff or 0x816f0a0c201fffff

Severity: Info

Alert Category: Critical - Temperature

Serviceable: No

CIM Information: Prefix: PLAT and ID: 0147

SNMP Trap ID: 0

Automatically notify Support: No

User response: Information only; no action is required.

816f0a0c-2020ffff An Over-Temperature Condition has been removed on the [PhysicalMemoryElementName] on Subsystem [MemoryElementName].

Explanation: Memory DIMM 32 is no longer in an over-temperature condition.

May also be shown as 816f0a0c2020ffff or 0x816f0a0c2020ffff

Severity: Info

Alert Category: Critical - Temperature

Serviceable: No

CIM Information: Prefix: PLAT and ID: 0147

SNMP Trap ID: 0

Automatically notify Support: No

User response: Information only; no action is required.

816f0a0c-2021ffff An Over-Temperature Condition has been removed on the [PhysicalMemoryElementName] on Subsystem [MemoryElementName].

Explanation: Memory DIMM 33 is no longer in an over-temperature condition.

May also be shown as 816f0a0c2021ffff or 0x816f0a0c2021ffff

Severity: Info

Alert Category: Critical - Temperature

Serviceable: No

CIM Information: Prefix: PLAT and ID: 0147

SNMP Trap ID: 0

Automatically notify Support: No

User response: Information only; no action is required.

816f0a0c-2022ffff An Over-Temperature Condition has been removed on the [PhysicalMemoryElementName] on Subsystem [MemoryElementName].

Explanation: Memory DIMM 34 is no longer in an over-temperature condition.

May also be shown as 816f0a0c2022ffff or 0x816f0a0c2022ffff

Severity: Info

Alert Category: Critical - Temperature

Serviceable: No

CIM Information: Prefix: PLAT and ID: 0147

SNMP Trap ID: 0

Automatically notify Support: No

User response: Information only; no action is required.

816f0a0c-2023ffff An Over-Temperature Condition has been removed on the [PhysicalMemoryElementName] on Subsystem [MemoryElementName].

Explanation: Memory DIMM 35 is no longer in an over-temperature condition.

May also be shown as 816f0a0c2023ffff or 0x816f0a0c2023ffff

Severity: Info

Alert Category: Critical - Temperature

Serviceable: No

CIM Information: Prefix: PLAT and ID: 0147

SNMP Trap ID: 0

Automatically notify Support: No

User response: Information only; no action is required.

816f0a0c-2024ffff An Over-Temperature Condition has been removed on the [PhysicalMemoryElementName] on Subsystem [MemoryElementName].

Explanation: Memory DIMM 36 is no longer in an over-temperature condition.

May also be shown as 816f0a0c2024ffff or 0x816f0a0c2024ffff

Severity: Info

Alert Category: Critical - Temperature

Serviceable: No

CIM Information: Prefix: PLAT and ID: 0147

SNMP Trap ID: 0

Automatically notify Support: No

User response: Information only; no action is required.

816f0a0c-2025ffff An Over-Temperature Condition has been removed on the [PhysicalMemoryElementName] on Subsystem [MemoryElementName].

Explanation: Memory DIMM 37 is no longer in an over-temperature condition.

May also be shown as 816f0a0c2025ffff or 0x816f0a0c2025ffff

Severity: Info

Alert Category: Critical - Temperature

Serviceable: No

CIM Information: Prefix: PLAT and ID: 0147

SNMP Trap ID: 0

Automatically notify Support: No

User response: Information only; no action is required.

816f0a0c-2026ffff An Over-Temperature Condition has been removed on the [PhysicalMemoryElementName] on Subsystem [MemoryElementName].

Explanation: Memory DIMM 38 is no longer in an over-temperature condition.

May also be shown as 816f0a0c2026ffff or 0x816f0a0c2026ffff

Severity: Info

Alert Category: Critical - Temperature

Serviceable: No

CIM Information: Prefix: PLAT and ID: 0147

SNMP Trap ID: 0

Automatically notify Support: No

User response: Information only; no action is required.

816f0a0c-2027ffff An Over-Temperature Condition has been removed on the [PhysicalMemoryElementName] on Subsystem [MemoryElementName].

Explanation: Memory DIMM 39 is no longer in an over-temperature condition.

May also be shown as 816f0a0c2027ffff or 0x816f0a0c2027ffff

Severity: Info

Alert Category: Critical - Temperature

Serviceable: No

CIM Information: Prefix: PLAT and ID: 0147

SNMP Trap ID: 0

Automatically notify Support: No

User response: Information only; no action is required.

816f0a0c-2028ffff An Over-Temperature Condition has been removed on the [PhysicalMemoryElementName] on Subsystem [MemoryElementName].

Explanation: Memory DIMM 40 is no longer in an over-temperature condition.

May also be shown as 816f0a0c2028ffff or 0x816f0a0c2028ffff

Severity: Info

Alert Category: Critical - Temperature

Serviceable: No

CIM Information: Prefix: PLAT and ID: 0147

SNMP Trap ID: 0

Automatically notify Support: No

User response: Information only; no action is required.

816f0a0c-2029ffff An Over-Temperature Condition has been removed on the [PhysicalMemoryElementName] on Subsystem [MemoryElementName].

Explanation: Memory DIMM 41 is no longer in an over-temperature condition.

May also be shown as 816f0a0c2029ffff or 0x816f0a0c2029ffff

Severity: Info

Alert Category: Critical - Temperature

Serviceable: No

CIM Information: Prefix: PLAT and ID: 0147

SNMP Trap ID: 0

Automatically notify Support: No

User response: Information only; no action is required.

816f0a0c-202affff An Over-Temperature Condition has been removed on the [PhysicalMemoryElementName] on Subsystem [MemoryElementName].

Explanation: Memory DIMM 42 is no longer in an over-temperature condition.

May also be shown as 816f0a0c202affff or 0x816f0a0c202affff

Severity: Info

Alert Category: Critical - Temperature

Serviceable: No

CIM Information: Prefix: PLAT and ID: 0147

SNMP Trap ID: 0

Automatically notify Support: No

User response: Information only; no action is required.

816f0a0c-202bffff An Over-Temperature Condition has been removed on the [PhysicalMemoryElementName] on Subsystem [MemoryElementName].

Explanation: Memory DIMM 43 is no longer in an over-temperature condition.

May also be shown as 816f0a0c202bffff or 0x816f0a0c202bffff

Severity: Info

Alert Category: Critical - Temperature

Serviceable: No

CIM Information: Prefix: PLAT and ID: 0147

SNMP Trap ID: 0

Automatically notify Support: No

User response: Information only; no action is required.

816f0a0c-202cffff An Over-Temperature Condition has been removed on the [PhysicalMemoryElementName] on Subsystem [MemoryElementName].

Explanation: Memory DIMM 44 is no longer in an over-temperature condition.

May also be shown as 816f0a0c202cffff or 0x816f0a0c202cffff

Severity: Info

Alert Category: Critical - Temperature

Serviceable: No

CIM Information: Prefix: PLAT and ID: 0147

SNMP Trap ID: 0

Automatically notify Support: No

User response: Information only; no action is required.

816f0a0c-202dffff An Over-Temperature Condition has been removed on the [PhysicalMemoryElementName] on Subsystem [MemoryElementName].

Explanation: Memory DIMM 45 is no longer in an over-temperature condition.

May also be shown as 816f0a0c202dffff or 0x816f0a0c202dffff

Severity: Info

Alert Category: Critical - Temperature

Serviceable: No

CIM Information: Prefix: PLAT and ID: 0147

SNMP Trap ID: 0

Automatically notify Support: No

User response: Information only; no action is required.

816f0a0c-202effff An Over-Temperature Condition has been removed on the [PhysicalMemoryElementName] on Subsystem [MemoryElementName].

Explanation: Memory DIMM 46 is no longer in an over-temperature condition.

May also be shown as 816f0a0c202effff or 0x816f0a0c202effff

Severity: Info

Alert Category: Critical - Temperature

Serviceable: No

CIM Information: Prefix: PLAT and ID: 0147

SNMP Trap ID: 0

Automatically notify Support: No

User response: Information only; no action is required.

816f0a0c-202fffff An Over-Temperature Condition has been removed on the [PhysicalMemoryElementName] on Subsystem [MemoryElementName].

Explanation: Memory DIMM 47 is no longer in an over-temperature condition.

May also be shown as 816f0a0c202fffff or 0x816f0a0c202fffff

Severity: Info

Alert Category: Critical - Temperature

Serviceable: No

CIM Information: Prefix: PLAT and ID: 0147

SNMP Trap ID: 0

Automatically notify Support: No

User response: Information only; no action is required.

816f0a0c-2030ffff An Over-Temperature Condition has been removed on the [PhysicalMemoryElementName] on Subsystem [MemoryElementName].

Explanation: Memory DIMM 48 is no longer in an over-temperature condition.

May also be shown as 816f0a0c2030ffff or 0x816f0a0c2030ffff

Severity: Info

Alert Category: Critical - Temperature

Serviceable: No

CIM Information: Prefix: PLAT and ID: 0147

SNMP Trap ID: 0

Automatically notify Support: No

User response: Information only; no action is required.

816f0a13-2401ffff Bus [SensorElementName] has recovered from a Fatal Bus Error.

Explanation: The UEFI has detected that a system has recovered from a System Management Bus Fatal

May also be shown as 816f0a132401ffff or 0x816f0a132401ffff

Severity: Info

Alert Category: Critical - Other

Serviceable: No

CIM Information: Prefix: PLAT and ID: 0245

SNMP Trap ID: 50

Automatically notify Support: No

User response: Information only; no action is required.

816f0a13-2582ffff Bus [SensorElementName] has recovered from a Fatal Bus Error.

Explanation: IMM has detected that the system has recovered from a fatal bus error. (All PCI Error or One of PCI Error or PCIs)

May also be shown as 816f0a132582ffff or 0x816f0a132582ffff

Severity: Info

Alert Category: Critical - Other

Serviceable: No

CIM Information: Prefix: PLAT and ID: 0245

SNMP Trap ID: 50

Automatically notify Support: No

User response: Information only; no action is required.

816f0b13-0701ffff Bus [SensorElementName] is no longer operating in a degraded state.

Explanation: IMM has detected the DMI Bus is No Longer Degraded.

May also be shown as 816f0b130701ffff or 0x816f0b130701ffff

Severity: Info

Alert Category: Warning - Other

Serviceable: No

CIM Information: Prefix: PLAT and ID: 0247

SNMP Trap ID: 60

Automatically notify Support: No

User response: Information only; no action is required.

UEFI diagnostic codes

UEFI diagnostic codes can be generated when the compute node starts or while the compute node is running. UEFI diagnostic codes are logged in the IMM event log in the compute node.

For each event code, the following fields are displayed:

Event identifier

An identifier that uniquely identifies an event.

Event description

The logged message string that appears for an event.

Explanation

Additional information to explain why the event occurred.

Severity

An indication of the level of concern for the condition. In the event log, the severity is abbreviated to the first character.

- **Info:** The event was recorded for audit purposes, usually a user action or a change of states that is normal behavior.
- **Warning:** The event is not as severe as an error, but if possible, the condition should be corrected before it becomes an error. It might also be a condition that requires additional monitoring or maintenance.
- **Error:** The event is a failure or critical condition that impairs service or an expected function.

Alert Category

Similar events are grouped in categories. The alert category is in the following format:

severity - device

severity is one of the following severity levels:

- **Critical:** A key component in the server is no longer functioning.
- **Warning:** The event might progress to a critical level.

- **System:** The event is the result of a system error or a configuration change.

device component is the specific device in the compute node that caused the event to be generated.

User response

The actions that you should perform to resolve the event.

Perform the steps listed in this section in the order shown until the problem is solved. After you perform all of the actions that are described in this field, if you cannot solve the problem, contact Support.

UEFI diagnostic code fields

For each event code, the following fields are displayed:

Note: For information about how to locate the UEFI diagnostic code for your systems-management platform, see “Finding the UEFI diagnostic code.” Not all events have a UEFI diagnostic code associated with the event.

Event identifier

An identifier that uniquely identifies an event.

Event description

The logged message string that appears for an event.

Explanation

Additional information to explain why the event occurred.

Severity

An indication of the level of concern for the condition. The severity is abbreviated in the event log to the first character. The following severities can be displayed.

Table 7. Severity levels

Severity	Description
Informational	An informational message is something that was recorded for audit purposes, usually a user action or a change of states that is normal behavior.
Warning	A warning is not as severe as an error, but if possible, the condition should be corrected before it becomes an error. It might also be a condition that requires additional monitoring or maintenance.
Error	An error typically indicates a failure or critical condition that impairs service or an expected function.

User response

Indicates what actions you should perform to resolve the event.

Perform the steps listed in this section in the order shown until the problem is solved. After you perform all of the actions that are described in this field, if you cannot solve the problem, contact Support.

Finding the UEFI diagnostic code

This topic provides information about finding the UEFI diagnostic code.

Several methods are available to locate the UEFI diagnostic code based on the systems-management platform you are using or if you are viewing test results generated by the DSA Preboot diagnostic program.

Note: Not all events have a UEFI diagnostic code associated with the event.

Table 8. Finding the UEFI diagnostic code

Interface to the UEFI diagnostic code	Action
Logged on to Flex System Manager management software (if installed)	<ol style="list-style-type: none"> 1. Go to the Problems (Active Status) view and click the name of the problem. 2. Click on the Recommendations tab and locate the UEFI diagnostic code.
Logged on to the IMM or CMM web interface	<ol style="list-style-type: none"> 1. Open the Events menu and click Event Log. 2. Click more next to the event message and locate the UEFI diagnostic code.
Viewing the DSA Preboot diagnostic program test results	<ol style="list-style-type: none"> 1. Go to the Chassis Event log. 2. Scroll to the right and look in the Auxillary Data Column to find the UEFI diagnostic code.

I.11002 [I.11002]

Explanation: A processor mismatch has been detected between one or more processors in the system. One or More Mismatched Processors Detected

Severity: Error

User response: Complete the following steps:

1. This message could occur with messages about other Processor configuration problems. Resolve those messages first.
2. If the problem persists, ensure that matching processors are installed (i.e., matching option part numbers, etc)
3. Verify that the Processor's are installed in the correct sockets according to the service information for this product. If not, correct that problem.
4. Check IBM support site for an applicable service bulletin or UEFI firmware update that applies to this Processor error.
5. (Trained Service technician only) Replace mismatching processor. Inspect Processor socket and replace the system board first if socket is damaged.

I.18005 [I.18005]

Explanation: A discrepancy has been detected in the number of cores reported by one or more processor packages within the system. Processors have mismatched number of cores

Severity: Error

User response: Complete the following steps:

1. If this is a newly installed option, ensure that matching Processors are installed in the correct Processor sockets according to the service information for this product.
2. Check IBM support site for an applicable service bulletin that applies to this Processor error.
3. (Trained Service technician only) Replace Processor. Inspect Processor socket and replace the system board first if socket is damaged.

I.18006 [I.18006]

Explanation: A mismatch between the maximum allowed QPI link speed has been detected for one or more processor packages. Processors have mismatched QPI Speed

Severity: Error

User response: Complete the following steps:

I.18007 • I.1800A

1. If this is a newly installed option, ensure that matching Processor CPUs are installed in the correct Processor CPU sockets according to the service information for this product
2. Check IBM support site for an applicable retain tipservice bulletin or firmware update that applies to this Processor error.
3. (Trained Service technician only) Replace Processor. Inspect Processor socket and replace the system board first if socket is damaged.

I.18007 [I.18007]

Explanation: A power segment mismatch has been detected for one or more processor packages. Processors have mismatched Power Segments

Severity: Error

User response: Complete the following steps:

1. If this is a newly installed option, ensure that matching Processors are installed in the correct Processor sockets according to the service information for this product.
2. If power requirements match, check IBM support site for an applicable service bulletin or firmware update that applies to this Processor error.
3. (Trained Service technician only) Replace Processor. Inspect Processor socket and replace the system board first if socket is damaged

I.18008 [I.18008]

Explanation: Currently, there is no additional information for this event. Processors have mismatched Internal DDR3 Frequency

Severity: Error

User response: Complete the following steps:

1. Verify that supported and matching DIMMs are installed in the channel in the correct population sequence, according to the service information for this product. {Add link to Memory chart.} Correct any configuration issues found.
2. (Trained Service technician only) Replace associated Processor. Inspect Processor socket and replace the system board first if socket is damaged

I.18009 [I.18009]

Explanation: A core speed mismatch has been detected for one or more processor packages. Processors have mismatched Core Speed

Severity: Error

User response: Complete the following steps:

1. Verify that matching processors are installed in the correct processor sockets according to the service information for this product. Correct any mismatch issues found.
2. Check IBM support site for an applicable service bulletin or firmware update that applies to this Processor error.
3. (Trained Service technician only) Replace Processor. Inspect Processor socket and replace the system board first if socket is damaged.

I.1800A [I.1800A]

Explanation: A mismatch has been detected between the speed at which a QPI link has trained between two or more processor packages. Processors have mismatched Bus Speed

Severity: Error

User response: Complete the following steps:

1. Verify that the Processor is a valid option that is listed as a Server Proven device for this system. If not, remove the Processor and install a Server Proven one.

2. Verify that matching Processors are installed in the correct Processor sockets according to the service information for this product. Correct any mismatch found.
3. Check IBM support site for an applicable service bulletin or firmware update that applies to this processor error.
4. (Trained Service technician only) Replace the Processor. Inspect Processor socket and replace the system board first if socket is damaged

I.1800B [I.1800B]

Explanation: A cache size mismatch has been detected for one or more processor packages. Processors have one or more cache levels with mismatched size

Severity: Error

User response: Complete the following steps:

1. Verify that matching processors are installed in the correct processor sockets according to the service information for this product. Correct any mismatch found.
2. Check IBM support site for an applicable service bulletin or firmware update that applies to this Processor error.
3. (Trained Service technician only) Replace the Processor. Inspect Processor socket and replace the system board first if socket is damaged.

I.1800C [I.1800C]

Explanation: A cache type mismatch has been detected for one or more processor packages. Processors have one or more cache levels with mismatched type

Severity: Error

User response: Complete the following steps:

1. Verify that matching Processors are installed in the correct Processor sockets according to the service information for this product.
2. Check IBM support site for an applicable service bulletin or firmware update that applies to this Processor error.
3. (Trained Service technician only) Replace the Processor. Inspect Processor socket and replace the system board first if socket is damaged.

I.1800D [I.1800D]

Explanation: A cache associativity mismatch has been detected for one or more processor packages. Processors have one or more cache levels with mismatched associativity

Severity: Error

User response: Complete the following steps:

1. Verify that matching Processors are installed in the correct Processor sockets according to the service information for this product.
2. Check IBM support site for an applicable service bulletin or firmware update that applies to this Processor error.
3. (Trained Service technician only) Replace the Processor. Inspect Processor socket and replace the system board first if socket is damaged.

I.1800E [I.1800E]

Explanation: A processor model mismatch has been detected for one or more processor packages. Processors have mismatched Model Number

Severity: Error

User response: Complete the following steps:

1. Verify that matching Processors are installed in the correct Processor sockets according to the service information for this product.
2. Check IBM support site for an applicable service bulletin or firmware update that applies to this Processor error.
3. (Trained Service technician only) Replace the Processor. Inspect Processor socket and replace the system board first if socket is damaged.

I.1800F [I.1800F]

Explanation: A processor family mismatch has been detected for one or more processor packages. Processors have mismatched Family

Severity: Error

User response: Complete the following steps:

1. Verify that matching Processors are installed in the correct Processor sockets according to the service information for this product
2. Check IBM support site for an applicable service bulletin or firmware update that applies to this Processor error.
3. (Trained Service technician only) Replace the Processor. Inspect Processor socket and replace the system board first if socket is damaged.

I.18010 [I.18010]

Explanation: A processor stepping mismatch has been detected for one or more processor packages. Processors of the same model have mismatched Stepping ID

Severity: Error

User response: Complete the following steps:

1. Verify that matching Processors are installed in the correct Processor sockets according to the service information for this product.
2. Check IBM support site for an applicable service bulletin or firmware update that applies to this Processor error.
3. (Trained Service technician only) Replace the Processor. Inspect Processor socket and replace the system board first if socket is damaged.

I.2018002 [I.2018002]

Explanation: The device found at Bus % Device % Function % could not be configured due to resource constraints. The Vendor ID for the device is % and the Device ID is %. OUT_OF_RESOURCES (PCI Option ROM)

Severity: Info

User response: Complete the following steps:

1. If this PCIe device and/or any attached cables were recently installed, moved, serviced or upgraded, reseal adapter and any attached cables.
2. Check IBM support site for any applicable service bulletin or UEFI or adapter firmware update that applies to this error. NOTE: It may be necessary to disable unused option ROMs from UEFI F1 setup or ASU or using adapter manufacturer utilities so that adapter firmware can be updated.

I.2018003 [I.2018003]

Explanation: A bad option ROM checksum was detected for the device found at Bus % Device % Function %. The Vendor ID for the device is % and the Device ID is %. ROM CHECKSUM ERROR

Severity: Error

User response: Complete the following steps:

1. If this PCIe device and/or any attached cables were recently installed, moved, serviced or upgraded, reseal adapter and any attached cables.
2. Check IBM support site for any applicable service bulletin or UEFI or adapter firmware update that applies to this error. NOTE: It may be necessary to configure slot to Gen1 or to use special utility software so that adapter firmware can be upgraded. Gen1/Gen2 settings can be configured via F1 Setup -> System Settings -> Devices and I/O Ports -> PCIe Gen1/Gen2/Gen3 Speed Selection, or the ASU Utility.
3. Move adapter to a different system slot, if available.
4. Replace adapter.

I.3048005 [I.3048005]

Explanation: UEFI has booted from the backup flash bank. Booting Backup UEFI Image

Severity: Info

User response: Complete the following steps:

1. Check IBM support site for an applicable service bulletin or firmware update that applies to this error.
2. Reflash Primary UEFI image. Refer to UEFI Recovery section of service information for this product.

Related Links:

- IBM Flex System and IBM PureFlex Firmware Updates Best Practices
-

I.3808004 [I.3808004]

Explanation: The IMM System Event log (SEL) is full. IPMI System Event Log is Full

Severity: Info

User response: Complete the following steps:

1. Use IMM Web Interface to clear event log.
 2. If IMM communication is unavailable, use F1 Setup to access System Event Logs Menu and Choose Clear IMM System Event Log and Restart Server.
-

I.3818001 [I.3818001]

Explanation: The firmware image capsule signature for the currently booted flash bank is invalid. Current Bank CRTM Capsule Update Signature Invalid

Severity: Info

User response: Complete the following steps:

1. Reboot system. Will come up on backup UEFI image. Reflash the primary UEFI image.
 2. If error does not persist no additional recovery action is required.
 3. (Trained Service technician only) If error persists, or boot is unsuccessful, replace the system board.
-

I.3818002 [I.3818002]

Explanation: The firmware image capsule signature for the non-booted flash bank is invalid. Opposite Bank CRTM Capsule Update Signature Invalid

Severity: Info

User response: Complete the following steps:

1. Reflash backup UEFI image.
 2. If error does not persist no additional recovery action is required.
 3. (Trained Service technician only) If error persists, or boot is unsuccessful, replace the system board.
-

I.3818003 [I.3818003]

Explanation: The CRTM flash driver could not lock the secure flash region. CRTM Could not lock secure flash region

Severity: Info

User response: Complete the following steps:

1. If system failed to boot successfully, DC cycle system.
 2. If system boots to F1 setup, flash UEFI image and reset bank to primary (if required). If system boots without error, recovery is complete and no additional action is required.
 3. (Trained Service technician only) If system fails to boot, or if flash attempt fails, replace the system board.
-

I.3868000 • S.1100B

I.3868000 [I.3868000]

Explanation: BOFM: System reset performed to reset adapters. BOFM: System reset performed to reset adapters

Severity: Info

User response: Complete the following steps:

1. No user required for this event. This is for informational purposes only.
-

I.3868003 [I.3868003]

Explanation: BOFM: Configuration too large for compatibility mode.

Severity: Info

User response: Complete the following steps:

1. No user required for this event. This is for informational purposes only.
-

I.58015 [I.58015]

Explanation: Memory spare copy initiated. Spare Copy Started

Severity: Info

User response: Complete the following steps:

1. No user required for this event. This is for informational purposes only.
-

I.580A4 [I.580A4]

Explanation: Memory population change detected. DIMM Population Change Detected

Severity: Info

User response: Complete the following steps:

1. If you have added or removed DIMMs to the system, and no additional errors were detected, then please ignore this message.
 2. Check system event log for uncorrected DIMM failures and replace those DIMMs.
-

I.580A5 [I.580A5]

Explanation: Mirror Fail-over complete. DIMM number % has failed over to to the mirrored copy. DIMM Mirror Fail-over Detected

Severity: Info

User response: Complete the following steps:

1. Check the system-event log for uncorrected DIMM failures and replace those DIMMs.
-

I.580A6 [I.580A6]

Explanation: Memory spare copy has completed successfully. Spare Copy Complete

Severity: Info

User response: Complete the following steps:

1. Check system log for related DIMM failures and replace those DIMMs.
-

S.1100B [S.1100B]

Explanation: CATERR(IERR) has asserted on processor %.

Severity: Error

User response: Complete the following steps:

1. Check IBM support site for an applicable service bulletin or UEFI firmware update that applies to this Processor error.
2. Reboot system. If problem persists escalate to the next level of support.

S.1100C [S.1100C]

Explanation: An uncorrectable error has been detected on processor %.

Severity: Error

User response: Complete the following steps:

1. Check IBM support site for an applicable service bulletin or UEFI firmware update that applies to this error.
2. Reboot system. If problem persists escalate to the next level of support.

S.2011000 [S.2011000]

Explanation: An Uncorrected PCIe Error has Occurred at Bus % Device % Function %. The Vendor ID for the device is % and the Device ID is %. PCI PERR Detected

Severity: Error

User response: Complete the following steps:

1. Check IBM support site for an applicable device driver, firmware update, revision of service information for this product or other information that applies to this error. Load new device driver and any required firmware updates.
2. If this node and/or any attached cables were recently installed, moved, serviced or upgraded, a. Reseat Adapter and any attached cables. b. Reload Device Driver c. If device is not recognized, reconfiguring slot to Gen1 or Gen2 may be required. Gen1/Gen2 settings can be configured via F1 Setup -> System Settings -> Devices and I/O Ports -> PCIe Gen1/Gen2/Gen3 Speed Selection, or the ASU Utility.
3. If problem persists, then remove Adapter Card. If system reboots successfully without the adapter, replace that card.
4. (Trained service technician only) Replace Processor associated with the PCIe slot. Inspect Processor socket for foreign debris or damage. If debris is found remove debris. If socket is damaged, replace the system board first.
5. (Trained Service technician only) If error recurs, replace the system board.

S.2011001 [S.2011001]

Explanation: An Uncorrected PCIe Error has Occurred at Bus % Device % Function %. The Vendor ID for the device is % and the Device ID is %. PCI SERR Detected

Severity: Error

User response: Complete the following steps:

1. Check IBM support site for an applicable device driver, firmware update, version of service information for this product or other information that applies to this error. Load new device driver and any required firmware updates.
2. If this node and/or any attached cables were recently installed, moved, serviced or upgraded, a. Reseat Adapter and any attached cables. b. Reload Device Driver c. If device is not recognized, reconfiguring slot to Gen1 or Gen2 may be required. Gen1/Gen2 settings can be configured via F1 Setup -> System Settings -> Devices and I/O Ports -> PCIe Gen1/Gen2/Gen3 Speed Selection, or the ASU Utility.
3. If problem persists, then remove Adapter Card. If system reboots successfully without the adapter, replace that card.
4. (Trained service technician only) Replace Processor associated with the PCIe slot. Inspect Processor socket for foreign debris or damage. If debris is found remove debris. If socket is damaged, replace the system board first.
5. (Trained Service technician only) If error recurs, replace the system board.

S.2018001 • S.3030007

S.2018001 [S.2018001]

Explanation: An Uncorrected PCIe Error has Occurred at Bus % Device % Function %. The Vendor ID for the device is % and the Device ID is %. PCIe Uncorrected Error Detected

Severity: Error

User response: Complete the following steps:

1. Check IBM support site for an applicable device driver, firmware update, version of service information for this product or other information that applies to this error. Load new device driver and any required firmware updates.
 2. If this node and/or any attached cables were recently installed, moved, serviced or upgraded, a. Reseat Adapter and any attached cables. b. Reload Device Driver c. If device is not recognized, reconfiguring slot to Gen1 or Gen2 may be required. Gen1/Gen2 settings can be configured via F1 Setup -> System Settings -> Devices and I/O Ports -> PCIe Gen1/Gen2/Gen3 Speed Selection, or the ASU Utility.
 3. If problem persists, then remove Adapter Card. If system reboots successfully without the adapter, replace that card.
 4. (Trained service technician only) Replace Processor associated with the PCIe slot. Inspect Processor socket for foreign debris or damage. If debris is found remove debris. If socket is damaged, replace the system board first.
 5. (Trained Service technician only) If error recurs, replace the system board.
-

S.3020007 [S.3020007]

Explanation: A firmware fault has been detected in the UEFI image. Internal UEFI Firmware Fault Detected, System halted

Severity: Error

User response: Complete the following steps:

1. Check IBM support site for an applicable service bulletin or firmware update that applies to this error.
 2. Reflash UEFI image.
 3. (Trained Service technician only) Replace the system board.
-

S.3028002 [S.3028002]

Explanation: Boot permission timeout detected. Boot Permission Negotiation Timeout

Severity: Error

User response: Complete the following steps:

1. Check CMM/IMM logs for communication errors and resolve.
 2. Reseat system
 3. If problem persists escalate to the next level of support
-

S.3030007 [S.3030007]

Explanation: A firmware fault has been detected in the UEFI image. Internal UEFI Firmware Fault Detected, System halted

Severity: Error

User response: Complete the following steps:

1. Check IBM support site for an applicable service bulletin or firmware update that applies to this error.
 2. Reflash UEFI image.
 3. (Trained Service technician only) Replace the system board.
-

S.3040007 [S.3040007]

Explanation: A firmware fault has been detected in the UEFI image. Internal UEFI Firmware Fault Detected, System halted

Severity: Error

User response: Complete the following steps:

1. Check IBM support site for an applicable service bulletin or firmware update that applies to this error.
2. Reflash UEFI image.
3. (Trained Service technician only) Replace the system board.

S.3050007 [S.3050007]

Explanation: A firmware fault has been detected in the UEFI image. Internal UEFI Firmware Fault Detected, System halted

Severity: Error

User response: Complete the following steps:

1. Check IBM support site for an applicable service bulletin or firmware update that applies to this error.
2. Reflash UEFI image.
3. (Trained Service technician only) Replace the system board.

S.3058004 [S.3058004]

Explanation: A Three Strike boot failure has occurred. The system has booted with default UEFI settings. POST failure has occurred! System booted with default settings.

Severity: Error

User response: Complete the following steps:

1. Original UEFI settings are still present. If customer desires to continue using the original settings, select Save Settings.
2. If User did not intentionally trigger the reboots, check logs for probable cause. For example, if there is a battery fault event, follow the steps to resolve that event.
3. Undo recent system changes (settings or devices added). Verify that the system boots. Then, re-install options one at a time to locate the problem.
4. Check IBM support site for an applicable service bulletin or firmware update that applies to this error. Update UEFI firmware if applicable.
5. Remove and re-install CMOS battery for 30 seconds to clear CMOS contents. If it boots successfully, then restore system settings.
6. (Trained Service technician only) Replace the system board.

S.3060007 [S.3060007]

Explanation: A firmware fault has been detected in the UEFI image. Internal UEFI Firmware Fault Detected, System halted

Severity: Error

User response: Complete the following steps:

1. Check IBM support site for an applicable service bulletin or firmware update that applies to this error.
 2. Reflash UEFI image.
 3. (Trained Service technician only) Replace the system board.
-

S.3070007 • S.3828001

S.3070007 [S.3070007]

Explanation: A firmware fault has been detected in the UEFI image. Internal UEFI Firmware Fault Detected, System halted

Severity: Error

User response: Complete the following steps:

1. Check IBM support site for an applicable service bulletin or firmware update that applies to this error.
 2. Reflash UEFI image.
 3. (Trained Service technician only) Replace the system board.
-

S.3108007 [S.3108007]

Explanation: The default system settings have been restored. System Configuration Restored to Defaults

Severity: Error

User response: Complete the following steps:

1. Check IBM support site for an applicable service bulletin or firmware update that applies to this error.
-

S.3818004 [S.3818004]

Explanation: The CRTM flash driver could not successfully flash the staging area. A failure occurred. CRTM Update Failed

Severity: Error

User response: Complete the following steps:

1. Continue booting system. If system does not reset, manually reset the system.
 2. If the error is not reported on the subsequent boot, no additional recovery action is required.
 3. If the error persists, continue booting system and reflash UEFI image. Check whether there are any additional instructions to update to this level of UEFI.
 4. (Trained Service technician only) Replace the system board.
-

S.3818007 [S.3818007]

Explanation: The firmware image capsules for both flash banks could not be verified. CRTM image capsule could not be verified

Severity: Error

User response: Complete the following steps:

1. If system failed to boot successfully, DC cycle system.
 2. If system boots to F1 step, flash UEFI image and reset bank to primary (if required). If system boots without error, recovery is complete and no additional action is required.
 3. (Trained Service technician only) If system fails to boot, or if flash attempt fails, replace the system board
-

S.3828001 [S.3828001]

Explanation: Boot Permission denied by Management Module: System Halted Boot Permission denied by Management Module: System Halted

Severity: Error

User response: Complete the following steps:

1. Check IMM log
 2. Review power policies and system configuration settings in the IMM.
-

S.3828002 [S.3828002]

Explanation: Timed Out waiting on boot permission from Management Module: System Halted Timed Out waiting on boot permission from Management Module: System Halted

Severity: Error

User response: Complete the following steps:

1. Check IMM log
2. Review power policies and system configuration settings in the IMM.

S.51003 [S.51003]

Explanation: An uncorrectable memory error was detected in DIMM slot % on rank %. An uncorrectable memory error was detected on processor % channel %. The failing DIMM within the channel could not be determined. An uncorrectable memory error has been detected. Fatal Memory Error Occurred

Severity: Error

User response: Complete the following steps:

1. If the node has recently been installed, moved, serviced, or upgraded, verify that the DIMM is properly seated and visually verify that there is no foreign material in any DIMM connector on that memory channel. If either of these conditions is found, correct and retry with the same DIMM. (Note: Event Log may contain a recent 00580A4 event denoting detected change in DIMM population that could be related to this problem.)
2. Check IBM support site for an applicable service bulletin or firmware update that applies to this memory error.
3. If no problem is observed on the DIMM connectors or the problem persists, replace the DIMM identified by LightPath and/or event log entry. If this is a flash DIMM, make sure it is still under warranty before replacing it.
4. If problem re-occurs on the same DIMM connector, replace the other DIMMs on the same memory channel. If this is a flash DIMM, make sure it is still under warranty before replacing it
5. (Trained service technician only) Replace Processor. Inspect Processor socket for foreign debris or damage. If debris is found, remove debris. If socket is damaged, replace the system board first.
6. (Trained Service technician only) If error recurs, replace the system board.

S.51006 [S.51006]

Explanation: A memory mismatch has been detected. Please verify that the memory configuration is valid. One or More Mismatched DIMMs Detected

Severity: Error

User response: Complete the following steps:

1. Could follow an uncorrectable memory error or failed memory test. Check log and service that event first. DIMMs disabled by other errors or actions could cause this event.
2. Verify that the DIMMs are installed in the correct population sequence, according to the service information for this product.
3. Disable memory mirroring and sparing. If this action eliminates the mismatch, check IBM Support site for information related to this problem.
4. Reflash UEFI firmware.
5. Replace DIMM. If this is a flash DIMM, make sure it is still under warranty before replacing it.
6. (Trained Service technician only) Replace Processor.

S.51009 [S.51009]

Explanation: No system memory has been detected. No Memory Detected

Severity: Error

User response: Complete the following steps:

1. Make sure that one or more DIMMs are installed in the server, and resolve any other currently existing memory errors.

S.58008 • S.68005

2. If no memory fault is recorded in the logs and no DIMM connector error LEDs are lit, verify that all DIMM connectors are enabled using the Setup utility or the Advanced Settings Utility (ASU).
3. Re-Install all DIMMs verifying the correct population sequence, according to the service information for this product.
4. (Trained service technician only) Replace Processor. Inspect Processor socket for foreign debris or damage. If debris is found, remove debris. If socket is damaged, replace the system board first.
5. (Trained Service technician only) If error recurs, replace the system board.

S.58008 [S.58008]

Explanation: A DIMM has failed the POST memory test. DIMM Failed Memory Test

Severity: Error

User response: Complete the following steps:

1. You must AC-cycle the system to re-enable affected DIMM connector or re-enable manually using F1 setup
2. If the node has been recently installed, serviced, moved, or upgraded, check to ensure that DIMMs are firmly seated and that no foreign material can be seen in the DIMM connector. If either condition is observed, correct and retry with the same DIMM. (Note: Event Log may contain a recent 00580A4 event denoting detected change in DIMM population that could be related to this problem.)
3. If problem persists, replace the DIMM identified by LightPath and/or event log entry. If this is a flash DIMM, make sure it is still under warranty before replacing it.
4. If problem re-occurs on the same DIMM connector, swap the other DIMMs on the same memory channel across channels one at a time to a different memory channel or Processor. (check service information for this product/Install guide for population requirements for sparing/paring modes). If problem follows a moved DIMM to a different memory channel, replace that DIMM. If this is a flash DIMM, make sure it is still under warranty before replacing it.
5. Check IBM support site for an applicable service bulletin or firmware update that applies to this memory error.
6. (Trained service technician only) If problem stays with the original DIMM connector, re-inspect DIMM connector for foreign material and remove, if found. If connector is damaged, replace the system board.
7. (Trained service technician only) Remove affected Processor and inspect Processor socket pins for damaged or mis-aligned pins. If damage is found, replace the system board. If there are multiple Processor's, swap Processor's to move affected Processor to another Processor socket and retry. If problem follows the affected Processor (or there is only one Processor), replace the affected Processor.
8. (Trained Service technician only) Replace the system board.

S.58009 [S.58009]

Explanation: All DIMMs have been disabled and the system will be unable to boot until this is corrected. All DIMM Slots Disabled

Severity: Error

User response: Complete the following steps:

1. Check system log for related DIMM failures and replace those DIMMs.

S.68005 [S.68005]

Explanation: An error has been detected by the the IIO core logic on Bus %. The Global Fatal Error Status register contains %. The Global Non-Fatal Error Status register contains %. Please check error logs for the presence of additional downstream device error data. Critical IOH-PCI Error

Severity: Error

User response: Complete the following steps:

1. Check IBM support site for an applicable service bulletin or firmware update for the system or adapter that applies to this error.
2. Check log for a separate error for an associated PCIe device and service that error.

3. (Trained service technician only) Replace Processor. Inspect Processor socket for foreign debris or damage. If debris is found, remove debris. If socket is damaged, replace the system board first.
4. (Trained Service technician only) If error recurs, replace the system board.

S.680B8 [S.680B8]**Explanation:** Internal QPI Link Failure Detected.**Severity:** Error**User response:** Complete the following steps:

1. Check IBM support site for an applicable service bulletin or firmware update that applies to this error.
2. (Trained service technician only) Replace Processor. Inspect Processor socket for foreign debris or damage. If debris is found, remove debris. If socket is damaged, replace the system board first.
3. (Trained Service technician only) If error recurs, replace the system board.

S.680B9 [S.680B9]**Explanation:** External QPI Link Failure Detected.**Severity:** Error**User response:** Complete the following steps:

1. Check IBM support site for an applicable service bulletin or firmware update that applies to this error.
2. (Trained service technician only) Replace Processor. Inspect Processor socket for foreign debris or damage. If debris is found, remove debris. If socket is damaged, replace the system board first.
3. (Trained Service technician only) If error recurs, replace the system board.

W.3048006 [W.3048006]**Explanation:** UEFI has booted from the backup flash bank due to an Automatic Boot Recovery (ABR) event. Automated Boot Recovery, Booting Backup UEFI Image**Severity:** Warning**User response:** Complete the following steps:

1. Check IBM support site for an applicable service bulletin or firmware update that applies to this error.
2. Reflash Primary UEFI image. Refer to UEFI Recovery section of service information for this product.
3. (Trained Service technician only) Replace the system board.

W.305000A [W.305000A]**Explanation:** An invalid date and time have been detected. RTC Date and Time Incorrect**Severity:** Warning**User response:** Complete the following steps:

1. Check IMM/chassis event log. This event should immediately precede 0068002 error. Service that event or any other battery related errors.
2. Use F1 Setup to reset date and time. If problem returns after a system reset, replace CMOS battery.
3. If problem persists then check IBM support site for an applicable service bulletin or firmware update that applies to this error.
4. (Trained Service technician only) Replace the system board.

W.3058009 [W.3058009]**Explanation:** DRIVER HEALTH PROTOCOL: Missing Configuraiton. Requires Change Settings From F1.**Severity:** Warning**User response:** Complete the following steps:

W.305800A • W.3808000

1. Go to F1 Setup > System Settings > Settings > Driver Health Status List and find a driver/controller reporting Configuration Required status.
2. Search for the driver menu from System Settings and change settings appropriately.
3. Save settings and restart system.

W.305800A [W.305800A]

Explanation: DRIVER HEALTH PROTOCOL: Reports 'Failed' Status Controller.

Severity: Warning

User response: Complete the following steps:

1. Reboot the system.
2. If problem persists, reflash the adapter firmware.

W.305800B [W.305800B]

Explanation: DRIVER HEALTH PROTOCOL: Reports 'Reboot' Required Controller.

Severity: Warning

User response: Complete the following steps:

1. No action required – system will reboot at the end of POST.
2. If problem persists, reflash the adapter firmware.

W.305800C [W.305800C]

Explanation: DRIVER HEALTH PROTOCOL: Reports 'System Shutdown' Required Controller.

Severity: Warning

User response: Complete the following steps:

1. Reboot the system.
2. If problem persists, reflash the adapter firmware.

W.305800D [W.305800D]

Explanation: DRIVER HEALTH PROTOCOL: Disconnect Controller Failed. Requires 'Reboot'.

Severity: Warning

User response: Complete the following steps:

1. Reboot the system to reconnect the controller.
2. If problem persists, reflash the adapter firmware.

W.305800E [W.305800E]

Explanation: DRIVER HEALTH PROTOCOL: Reports Invalid Health Status Driver.

Severity: Warning

User response: Complete the following steps:

1. Reboot the system.
2. If problem persists, reflash the adapter firmware.

W.3808000 [W.3808000]

Explanation: An IMM communication failure has occurred. IMM Communication Failure

Severity: Warning

User response: Complete the following steps:

1. Check the IMM network cables and configuration.
2. AC cycle the system.
3. Check IBM support site for an applicable service bulletin or firmware update that applies to this error.
4. Reflash IMM Firmware.
5. (Trained Service technician only) Replace the system board.

W.3808002 [W.3808002]

Explanation: An error occurred while saving UEFI settings to the IMM. Error Updating System Configuration to IMM

Severity: Warning

User response: Complete the following steps:

1. Use F1 Setup, Verify and Save Settings to recover settings.
2. Reset the IMM.
3. AC cycle the system.
4. Check IBM support site for an applicable service bulletin or firmware update that applies to this error.
5. Reflash IMM Firmware.
6. Remove and re-install CMOS battery for 30 seconds to clear CMOS contents.
7. (Trained Service technician only) Replace the system board.

W.3808003 [W.3808003]

Explanation: Unable to retrieve the system configuration from the IMM. Error Retrieving System Configuration from IMM

Severity: Warning

User response: Complete the following steps:

1. Use F1 Setup, Verify and Save Settings to recover settings.
2. Reset the IMM.
3. AC cycle the system.
4. Check IBM support site for an applicable service bulletin or firmware update that applies to this error.
5. Reflash IMM Firmware.
6. Remove and re-install CMOS battery for 30 seconds to clear CMOS contents.
7. (Trained Service technician only) Replace the system board.

W.3818005 [W.3818005]

Explanation: The CRTM flash driver could not successfully flash the staging area. The update was aborted CRTM Update Aborted

Severity: Warning

User response: Complete the following steps:

1. Continue booting system. If system does not reset, manually reset the system.
2. If the error is not reported on the subsequent boot, no additional recovery action is required.
3. If the event persists, continue booting system and reflash UEFI image. Check whether there are any additional instructions to update to this level of UEFI.
4. (Trained Service technician only) Replace the system board.

W.381800D [W.381800D]

Explanation: TPM physical presence is in asserted state

Severity: Warning

W.3868001 • W.58001

User response: Complete the following steps:

1. Complete any administrative tasks requiring the TPM physical presence switch to be in the "ON" position..
2. Restore the physical presence switch to the "OFF" position and reboot the system.
3. (Trained Service technician only) Replace the system board.

W.3868001 [W.3868001]

Explanation: BOFM: Reset loop avoided - Multiple resets not allowed. BOFM: Reset loop avoided - Multiple resets not allowed

Severity: Warning

User response: Complete the following steps:

1. Update all firmware (including adapter firmware) to the latest levels.
2. If problem persists escalate to the next level of support.

W.3868002 [W.3868002]

Explanation: BOFM: Error communicating with the IMM - BOFM may not be deployed correctly. BOFM: Error communicating with the IMM - BOFM may not be deployed correctly

Severity: Error

User response: Complete the following steps:

1. Update all firmware (including adapter firmware) to the latest levels.
2. If problem persists escalate to the next level of support.

W.3938002 [W.3938002]

Explanation: A boot configuration error has been detected. Boot Configuration Error

Severity: Warning

User response: Complete the following steps:

1. F1 Setup -> Save Settings
2. Retry OOB config update

W.50001 [W.50001]

Explanation: A DIMM has been disabled due to an error detected during POST. DIMM Disabled

Severity: Info

User response: Complete the following steps:

1. If the DIMM was disabled because of a memory fault, follow the procedure for that event.
2. If no memory fault is recorded in the logs and no DIMM connector error LEDs are lit, re-enable the DIMM through the Setup utility or the Advanced Settings Utility (ASU).
3. If problem persists, Power cycle the node from management console.
4. Reset IMM to default settings.
5. Reset UEFI to default settings.
6. Reflash IMM and UEFI firmware.
7. Swap the DIMM from the disabled slot with a matching DIMM. If the slot remains disabled, replace the system board.

W.58001 [W.58001]

Explanation: The PFA Threshold limit (correctable error logging limit) has been exceeded on DIMM number % at address %. MC5 Status contains % and MC5 Misc contains %. DIMM PFA Threshold Exceeded

Severity: Error

User response: Complete the following steps:

1. If the node has recently been installed, moved, serviced, or upgraded, verify that the DIMM is properly seated and visually verify that there is no foreign material in any DIMM connector on that memory channel. If either of these conditions is found, correct and retry with the same DIMM. (Note: Event Log may contain a recent 00580A4 event denoting detected change in DIMM population that could be related to this problem.)
2. Check IBM support site for an applicable firmware update that applies to this memory error. The release notes will list the known problems the update addresses. Also, check IBM support site for an applicable Service Bulletins (Service bulletins) that applies to this memory error. (Link to IBM support service bulletins)
3. If the previous steps do not resolve the problem, at the next maintenance opportunity, swap the DIMMs on the same memory channel one at a time to a different memory channel or Processor. (check service information for this product/Install guide for population requirements for sparing/paring modes). If PFA follows a moved DIMM to any DIMM connector on the different memory channel, replace the moved DIMM. If this is a flash DIMM, make sure it is still under warranty before replacing it.
4. (Trained service technician only) If problem continues to re-occur on the same DIMM connector, inspect DIMM connector for foreign material and remove, if found. If connector is damaged, replace the system board.
5. (Trained service technician only) Remove affected Processor and inspect Processor socket pins for damaged or mis-aligned pins. If socket is damaged, replace the system board.
6. (Trained Service technician only) Replace affected processor.
7. (Trained Service technician only) Replace the system board.

W.58002 [W.58002]

Explanation: Memory spare copy failed. Spare Copy Failed

Severity: Info

User response: Complete the following steps:

1. Check system log for related DIMM failures and replace those DIMMs.

W.58007 [W.58007]

Explanation: Invalid memory configuration (Unsupported DIMM Population) detected. Please verify memory configuration is valid. Unsupported DIMM Population

Severity: Error

User response: Complete the following steps:

1. Could follow an uncorrectable memory error or failed memory test. Check log and service that event first. DIMMs disabled by other errors or actions could cause this event.
2. Ensure that the DIMM connectors are populated according to the guidelines in the service information for this product for the memory mode you are running.

Related Links:

- “Installing a DIMM” on page 719

W.58017 [W.58017]

Explanation: DIMM Re-enabled DIMM Re-Enabled

Severity: Warning

User response: Complete the following steps:

1. Check system log for related DIMM failures.

W.580A1 [W.580A1]

Explanation: Invalid memory configuration for Mirror Mode. Please correct memory configuration. Unsupported DIMM Population for Mirror Mode

Severity: Error

User response: Complete the following steps:

W.580A2 • W.580B1

1. If a DIMM connector error LED is lit, resolve the failure.
2. Make sure that the DIMM connectors are correctly populated for mirroring mode, according to the service information for this product.

W.580A2 [W.580A2]

Explanation: Invalid memory configuration for Sparing Mode. Please correct memory configuration. Unsupported DIMM Population for Spare Mode

Severity: Error

User response: Complete the following steps:

1. Make sure that the DIMM connectors are correctly populated for sparing mode, according to the service information for this product.

W.580A3 [W.580A3]

Explanation: Invalid memory configuration for Lock-Step Mode. Please correct memory configuration. Unsupported DIMM Population for Lockstep Mode

Severity: Warning

User response: Complete the following steps:

1. Make sure that the DIMM connectors are correctly populated for lock-step mode, according to the service information for this product.

W.580A7 [W.580A7]

Explanation: DIMM Service Action Detected, Slot Re-Enabled DIMM Service Action Detected, Slot Re-Enabled

Severity: Warning

User response: Complete the following steps:

1. Check system log for related DIMM failures.

W.580A8 [W.580A8]

Explanation: System Memory Resized

Severity: Warning

User response: Complete the following steps:

1. Check system log for related DIMM failures and replace those DIMMs.

W.580B0 [W.580B0]

Explanation: Memory SMI Link Failure

Severity: Warning

User response: Complete the following steps:

1. Ensure the Processor heatsink is fully screwed down
2. (Trained service technician only) Remove affected Processor and inspect Processor socket pins for damaged or mis-aligned pins. If damage is found, replace the system board.

W.580B1 [W.580B1]

Explanation: Memory SMI Lane Redundancy Lost

Severity: Warning

User response: Complete the following steps:

1. Ensure the Processor heatsink is fully screwed down

2. (Trained service technician only) Remove affected Processor and inspect Processor socket pins for damaged or mis-aligned pins. If damage is found, replace the system board.

W.68002 [W.68002]

Explanation: A CMOS battery error has been detected CMOS Battery Fault

Severity: Error

User response: Complete the following steps:

1. If the system was recently Installed, Moved, or Serviced, make sure the battery is properly seated.
2. Check IBM support site for an applicable service bulletin or firmware update that applies to this error.
3. Replace CMOS Battery
4. (Trained service technician only) Replace the system board.

W.680B4 [W.680B4]

Explanation: Internal QPI Link Half Width Reduction Detected

Severity: Warning

User response: Complete the following steps:

1. Ensure all Processor heatsinks are fully screwed down
2. (Trained service technician only) Remove affected Processor and inspect Processor socket pins for damaged or mis-aligned pins. If damage is found, replace the system board.

W.680B6 [W.680B6]

Explanation: External QPI Link Half Width Reduction Detected

Severity: Warning

User response: Complete the following steps:

1. Remove scalability card and check for damaged connectors on the system board, and check for bent pins on the scalability card. Replace any damaged hardware
2. (Trained service technician only) Remove affected Processor and inspect Processor socket pins for damaged or mis-aligned pins. If damage is found, replace the system board.

DSA messages

Use this information to review the diagnostic error messages and solve many errors.

If the diagnostic programs generate error codes that are not listed in the table, make sure that the latest level of the UEFI code is installed. To download the latest firmware for the compute node, go to <http://www.ibm.com/support/fixcentral>.

The following table describes the messages that the diagnostic programs might generate and suggested actions to correct the detected problems. Follow the suggested actions in the order in which they are listed in the action column. In the error codes, *x* can be any numeral or letter. However, if the three-digit number in the central position of the code is 000, 195, or 197, *do not* replace a CRU. These numbers appearing in the central position of the code have the following meanings:

- | | |
|------------|---|
| 000 | The compute node passed the test. Do not replace a CRU. |
| 195 | The Esc key was pressed to end the test. Do not replace a CRU. |
| 197 | This is a warning error, but it does not indicate a hardware failure; do not replace a CRU. Take the action that is indicated in the Action column, but |

*do not replace a CRU. See the description for **Warning** in “Diagnostic text messages” on page 71 for more information.*

Microprocessor test

Use this information to diagnose and solve microprocessor test errors.

Follow the suggested actions in the order in which they are listed in the Action column until the problem is solved.

- See Chapter 5, “Parts listing, Types 7903 and 4259,” on page 59 to determine whether a component is a Tier 1 customer replaceable unit (CRU) or field replaceable unit (FRU).
- If an action step is preceded by “(Trained service technician only),” that step must be performed only by a trained service technician.

089-000-xxx

Explanation: Passed the CPU stress test

User response: Information only; no action is required.

089-801-xxx

Explanation: Aborted due to an internal program error.

User response: Complete the following steps:

1. If the compute node has stopped responding, turn off and restart the compute node. See “Turning off the compute node” on page 16 and “Turning on the compute node” on page 15.
2. Make sure that the DSA code is up-to-date, upgrade if necessary; then, run the test again. The latest code can be found at <http://www.ibm.com/support/entry/portal/docdisplay?Indocid=SERV-DSA>.
3. Make sure that the system firmware level is up-to-date, upgrade if necessary; then, run the test again. The installed firmware level can be found in the DSA log within the Firmware/VPD section for this component. The latest level firmware for this component can be found at <http://www.ibm.com/support/fixcentral>.
4. If the compute node has stopped responding, turn off and restart the compute node; then, run the test again. See “Turning off the compute node” on page 16 and “Turning on the compute node” on page 15.
5. (Trained service technician only) If the component failure remains, see Chapter 7, “Installing, removing, and replacing compute node components,” on page 699 to replace the failed component.

089-802-xxx

Explanation: Aborted due a system resource availability error.

User response: Complete the following steps:

1. Make sure at least 1 GB of memory is installed in the compute node (see “Installing a DIMM” on page 719).
2. Make sure that the DSA code is up-to-date, upgrade if necessary; then, run the test again. The latest code can be found at <http://www.ibm.com/support/entry/portal/docdisplay?Indocid=SERV-DSA>.
3. Make sure that the system firmware level is up-to-date, upgrade if necessary; then, run the test again. The installed firmware level can be found in the DSA log within the Firmware/VPD section for this component. The latest level firmware for this component can be found at <http://www.ibm.com/support/fixcentral>.
4. If the compute node has stopped responding, turn off and restart the compute node; then, run the test again. See “Turning off the compute node” on page 16 and “Turning on the compute node” on page 15.
5. (Trained service technician only) If the component failure remains, see Chapter 7, “Installing, removing, and replacing compute node components,” on page 699 to replace the failed component.

IMM2 self-tests

Use this information to diagnose and solve IMM2 self-test errors.

Follow the suggested actions in the order in which they are listed in the Action column until the problem is solved. See Chapter 5, “Parts listing, Types 7903 and 4259,” on page 59 to determine which components are Tier 1 customer replaceable units (CRUs) and which components are field replaceable units (FRUs).

Ethernet device tests

Use this information to diagnose and solve Ethernet device errors.

Follow the suggested actions in the order in which they are listed in the Action column until the problem is solved. See Chapter 5, “Parts listing, Types 7903 and 4259,” on page 59 to determine which components are Tier 1 customer replaceable units (CRUs) and which components are field replaceable units (FRUs).

Memory self-tests

Use this information to diagnose and solve memory self-test errors.

Follow the suggested actions in the order in which they are listed in the Action column until the problem is solved. See Chapter 5, “Parts listing, Types 7903 and 4259,” on page 59 to determine which components are Tier 1 customer replaceable units (CRUs) and which components are field replaceable units (FRUs).

Optical drive self-tests

Use this information to diagnose and solve optical drive self-test errors.

Follow the suggested actions in the order in which they are listed in the Action column until the problem is solved. See Chapter 5, “Parts listing, Types 7903 and 4259,” on page 59 to determine which components are Tier 1 customer replaceable units (CRUs) and which components are field replaceable units (FRUs).

Hard disk drive self-tests

Use this information to diagnose and resolve hard disk drive self-test errors.

Follow the suggested actions in the order in which they are listed in the Action column until the problem is solved. See Chapter 5, “Parts listing, Types 7903 and 4259,” on page 59 to determine which components are Tier 1 customer replaceable units (CRUs) and which components are field replaceable units (FRUs).

Troubleshooting by symptom

Use this information to find solutions to problems that have identifiable symptoms.

To use the symptom-based troubleshooting tables in this section, complete the following steps:

1. Check the IMM event log and follow the suggested actions to resolve any event codes (see “IMM event log” on page 68).
2. Find the symptoms that you are experiencing in the troubleshooting tables in this section and follow the suggested actions to resolve any problems.
3. If the problem remains, submit a service request (see http://pic.dhe.ibm.com/infocenter/flexsys/information/index.jsp?topic=%2Fcom.ibm.acc.common.nav.doc%2Fkh9_r_getting_help_and_technical_assistance.html).

Compute node start problems

Use this information to solve compute node start problems.

Embedded hypervisor is not in the Boot List

This issue is related to a hypervisor key

1. **If the compute node has recently been installed, moved, or serviced**, or if this is the *first time the embedded hypervisor is being used*, make sure that the device is connected properly and that there is no physical damage to the connectors.
2. *IBM ServerProven* website to validate that the embedded hypervisor device is supported for the compute node.
3. (USB key) is in the startup sequence. From the Setup utility, select Start Options.
4. <http://www.ibm.com> for any service bulletins related to the embedded *hypervisor* and the compute node.
5. Make sure that other software works on the compute node to ensure that the compute node is working properly.

Related Links: <http://www.ibm.com/support>

Connectivity problems

Use this information to solve connectivity problems.

Cannot communicate with SAN

Use the information in this section to troubleshoot one or more compute nodes are unable to communicate with SAN.

1. Make sure that:
 2.
 - a. The I/O module is powered on and the appropriate ports are enabled on the I/O module.
 - b. The CMM has reported that the I/O module has completed POST and that no errors have been reported in the logs.
 - c. The SAN device is powered on and is functional.
 - d. All cables between the I/O module and the SAN device are properly connected and secure, and that the activity LEDs are lit on the appropriate ports.
 3. See the documentation for the I/O module for additional information about troubleshooting SAN connectivity or network connectivity issues.

Cannot communicate with the CMM

Use the information in this section to troubleshoot the compute node when you cannot communicate with the Chassis Management Module (CMM) on the data network.

1. Make sure that all ports in the connection path are enabled and that you can ping the CMM. If you are unable to ping the CMM, see Cannot ping the CMM on the management network.
2. Make sure that the protocols that you are using are enabled.
3. Note: By default, only secure protocols are enabled, for example, SSH and HTTPS.
4. Make sure that you can log into the CMM. If you are unable to log in to the CMM, see Cannot log in to the CMM.
5. Note: Press and hold the button for 10 seconds to reset the CMM configuration settings. All user modified configuration settings are reset to the factory default values.

Cannot communicate with the I/O module

Use the information in this section to troubleshoot the compute node when you cannot communicate with the I/O module.

1. Make sure that all ports in the connection path are enabled and that you can ping the I/O module. If you are unable to ping the I/O module, see Cannot ping the I/O module.
2. Make sure that the protocols that you are using are enabled.
3. Note: By default, only secure protocols are enabled, for example, SSH and HTTPS.
4. Make sure that you can log into the I/O module. If you are unable to log into the I/O module, see Cannot log in to the I/O module.
5. Use a serial cable to connect to the I/O module to further isolate the problem. You can also link to the I/O module through an external Ethernet port.

Cannot communicate with the IBM Flex System Manager management node

Use the information in this section to troubleshoot the compute node when you cannot communicate with the IBM Flex System Manager management node on the data network.

1. Make sure that all ports for the connection path are enabled and that you can ping the IBM Flex System Manager management node. If you are unable to ping the IBM Flex System Manager management node, see Cannot ping the IBM Flex System Manager management node on the data network.
2. Make sure that the protocols you are using are enabled.
3. Note: By default, only secure protocols are enabled, for example, SSH and HTTPS.
4. If you cannot log into the IBM Flex System Manager management node, see Cannot log in to the IBM Flex System Manager management node.

Cannot connect to the data network (Ethernet)

Use the information in this section to troubleshoot the compute node when you cannot connect to the data network (Ethernet).

One compute node experiences a sudden loss of network (Ethernet) connectivity:

Use the information in this section to troubleshoot one compute node experiences a sudden loss of network (Ethernet) connectivity.

The event is logged in the event log. See the event log for the IBM Flex System Manager management node (if installed) or see the event log of the CMM to determine what actions might be required to resolve this issue. See IMM event log.

One compute node is unable to connect to the data network (Ethernet) during initial setup:

Use the information in this section to troubleshoot one compute node is unable to connect to the data network (Ethernet) during initial setup.

1. Make sure that:
 2.
 - a. The I/O module is powered on and the applicable ports are enabled on the I/O module.

- b. All cables between the I/O module and the network device (switch or router) are correctly connected and secure, and that the activity LEDs are lit on the applicable ports.
3. From the compute node operating system, verify the network settings, such as IP address, subnet mask (if using IPv4), DHCP settings, and vLAN settings, to ensure that the settings match the settings of the network device. See the documentation for the operating system for information about checking network settings.
4. From the compute node operating system, make sure that the network device is active. See the documentation for the operating system for information about viewing network devices.
5. Make sure that the proper device drivers are installed for the compute node Ethernet device.
6. Check the IBM support website for any firmware updates that might apply to this issue. You can view the release notes for a firmware update to determine the issues that are addressed by the update.
7. Remove the compute node from the chassis and check the connectors at the back of the node for bent pins. If the pins are bent, contact IBM Support. See Removing a compute node from a chassis.
8. Install the compute node in another compute node bay to determine whether the problem remains. See Installing a compute node in a chassis. If the problem remains, make sure that this compute node is connected to a port that has been enabled and that the vLAN settings enable that port to connect to the network.
9. Check the IBM support website for any service bulletins that are related to network connectivity.
10. (Trained service technician only) Complete the following steps:
11.
 - a. Force the link/duplex speed.
 - b. Check the connectors on the I/O module to ensure that there are no bent pins.
 - c. Check the connectors on the chassis midplane to ensure there are no bent pins. See the "IBM Flex System Enterprise Chassis Types 8721, 8724, and 8725: Installation and Service Guide".
 - d. Remove the I/O module and install a working I/O module in the same I/O bay.
 - e. If the problem is solved, replace the I/O module that you removed.

Related Links:

- "Installing an I/O expansion adapter" on page 742
- "Installing a compute node in a chassis" on page 702
- "Removing a compute node from a chassis" on page 701
- "Removing an I/O expansion adapter" on page 741
- <http://www.ibm.com/support>

Two or more compute nodes are unable to connect to the data network (Ethernet) during initial setup:

Use the information in this section to troubleshoot two or more compute nodes are unable to connect to the data network (Ethernet) during initial setup.

1. If you have just updated the firmware for one or more devices in the chassis (I/O module, CMM, etc), install the previous level of firmware.
2. Make sure that:
3.
 - a. The I/O module is powered on and the appropriate ports are enabled on the I/O module.
 - b. All cables between the I/O module and the network device (switch or router) are properly connected and secure, and that the activity LEDs are lit on the appropriate ports.
4. From the compute node operating system, verify the network settings, such as IP address, subnet mask (if using IPv4), DHCP settings, and vLAN settings, to ensure that the settings match the settings of the network device. See the documentation for the operating system for information about checking network settings.
5. From the compute node operating system, make sure that the network device is active. See the documentation for the operating system for information about viewing network devices.
6. Check the IBM support web site for any firmware updates that might apply to this issue. You can view the release notes for a firmware update to determine the issues addressed by the update.
7. Check the IBM support web site for any service bulletins that are related to network connectivity.
8. (Trained Service Technician Only) Perform the following steps:
9.
 - a. Force the link/duplex speed.
 - b. Check the connectors on the I/O module to ensure that there are no bent pins.
 - c. Check the connectors on the chassis midplane to ensure there are no bent pins. See the "IBM Flex System Enterprise Chassis Types 8721, 8724, and 8725: Installation and Service Guide."
 - d. Remove the I/O module and install a working I/O module in the same I/O module bay.
 - e. If the problem is resolved, replace the I/O module that you removed.

Related Links:

- <http://www.ibm.com/support>
- "Installing an I/O expansion adapter" on page 742
- "Removing an I/O expansion adapter" on page 741

Two or more compute nodes experience a sudden loss of network (Ethernet) connectivity:

Use the information in this section to troubleshoot two or more compute nodes experience a sudden loss of network (Ethernet) connectivity.

The event is logged in the event log. See the event log for the IBM Flex System Manager management node (if installed) or see the event log of the CMM to determine what actions might be required to resolve this issue.

Cannot log in

Use the information in this section to troubleshoot the compute node when you cannot log in to the management node, the Chassis Management Module (CMM), or the I/O module.

Cannot log into the CMM:

Use the information in this section to troubleshoot the compute node when you cannot log in to the Chassis Management Module (CMM).

1. Make sure that you are using the correct password and that the capitals lock is off.
2. Restore the CMM default settings by pressing the reset button on the CMM.

Cannot log into the I/O Module:

Use the information in this section to troubleshoot the compute node when you cannot log in to the I/O module.

1. Make sure that you are using the correct password and that the capitals lock is off.
2. Contact IBM Support for further assistance if you have forgotten the password.

Cannot log in to the IBM Flex System Manager management node:

Use the information in this section to troubleshoot the compute node when you cannot log in to the management node.

1. Make sure that you are using the correct password and that the capitals lock is off.
2. Contact IBM Support for further assistance if you have forgotten the password.

Cannot ping the CMM on the management network

Use the information in this section to troubleshoot the compute node when one or more compute nodes cannot ping the CMM on the management network.

CMM cannot ping the CMM in a different chassis (Management Network):

Use the information in this section to troubleshoot a Chassis Management Module (CMM) that cannot ping the Chassis Management Module (CMM) in a different chassis.

1. Make sure that the Chassis Management Modules are powered on and the applicable ports are enabled.
2.
 - a. If the CMM is powered on and hung, reset the CMM.
 - b. Make sure that the IMM, the management node, and the CMMs are all on the same subnet.
3. Verify that the cables between the CMMs and the top-of-rack switch are correctly connected and that the activity LEDs are lit on the applicable ports.
4. Make sure that the management node has a correct IP address and is on the same subnet as the CMMs.
5. Note: If the CMM recently lost connection to the DHCP server, you must reset the IMM by using the CMM interface so that a new IP address can be acquired.
6. In the CMM user interface, click Chassis Management > Component IP Configuration and make sure that the IP address that is listed is the same as

the IP address that is displayed in the Setup utility. If it is not the same IP address, configure the IMM network settings correctly or reset the IMM to automatically acquire a new IP address.

7. Check the IBM Support Portal for any firmware updates that might apply to this problem. You can view the release notes for a firmware update to determine the issues that the update addresses.
8. Check the IBM Support Portal for any service bulletins that are related to network connectivity.
9. Remove the compute node from the chassis and check the connectors on the back of the node and on the midplane for bent pins. If the pins are bent, contact IBM Support.
10. (Trained service technician only) Complete the following steps:
11.
 - a. Force the link/duplex speed.
 - b. Check the connectors on the nodes and on the midplane to make sure that no pins are bent.
 - c. Replace the I/O expansion card in the management node.
 - d. Replace the management node.

Multiple nodes cannot ping the CMM in the same chassis (Management Network):

Use the information in this section to troubleshoot multiple nodes that cannot ping the Chassis Management Module (CMM) on the management network in the same chassis.

1. Make sure that the Chassis Management Module is powered on and the applicable ports are enabled on the CMM. If the CMM is hung, reset the CMM.
2. Reset the CMM.
3. Check for firmware updates for the CMM.
4. Reset the CMM to factory defaults and attempt to discover the nodes again. Allow enough time for the IMM to acquire a network address.
5. Make sure that the compute node IMM has acquired an IP address from the CMM by using the Setup utility on the node.
6. Note: If the CMM recently lost connection to the DHCP server, you must reset the IMM by using the CMM interface so that a new IP address can be acquired.
7. In the CMM user interface, click Chassis Management > Component IP Configuration and make sure that the IP address that is listed is the same as the IP address that is displayed in the Setup utility. If it is not the same IP address, configure the IMM network settings correctly or reset the IMM to automatically acquire a new IP address.
8. Check the IBM Support Portal for any firmware updates that might apply to this problem. You can view the release notes for a firmware update to determine the issues that the update addresses.
9. Remove the compute node from the chassis and check the connectors on the back of the node for bent pins. If the pins are bent, contact IBM Support.
10. Check the IBM Support Portal for any service bulletins that are related to network connectivity.
11. (Trained service technician only) Complete the following steps:
- 12.

- a. Force the link/duplex speed.
- b. Check the connectors on the CMM to make sure that no pins are bent.
- c. Check the connectors on the chassis midplane to make sure that no pins are bent.
- d. Remove the CMM and install a working CMM in the same bay.
- e. If the problem is solved, replace the CMM that you removed.

Single node cannot ping the CMM in the same chassis (Management Network):

Use the information in this section to troubleshoot a single compute node that cannot ping the Chassis Management Module (CMM) on the management network in the same chassis.

1. Make sure that the Chassis Management Module is powered on and the applicable ports are enabled on the CMM.
2. Make sure that the compute node IMM has acquired an IP address from the CMM by using the Setup utility on the node.
3. Note: If the CMM recently lost connection to the DHCP server, you must reset the IMM by using the CMM interface so that a new IP address can be acquired.
4. In the CMM user interface, click Chassis Management > Component IP Configuration and make sure that the IP address that is listed is the same as the IP address that is displayed in the Setup utility. If it is not the same IP address, configure the IMM network settings correctly or reset the IMM to automatically acquire a new IP address.
5. Check the IBM Support Portal for any firmware updates that might apply to this problem. You can view the release notes for a firmware update to determine the issues that the update addresses.
6. Remove the compute node from the chassis and check the connectors on the back of the node for bent pins. If the pins are bent, contact IBM Support.
7. Install the compute node in another node bay to determine whether the problem remains. If the problem remains, make sure that the compute node is connected to a port that has been enabled and that the vLAN settings allow that port to connect to the network.
8. Check the IBM Support Portal for any service bulletins that are related to network connectivity.
9. (Trained service technician only) Complete the following steps:
10.
 - a. Force the link/duplex speed.
 - b. Check the connectors on the I/O module to make sure that no pins are bent.
 - c. Check the connectors on the chassis midplane to make sure that no pins are bent.
 - d. Remove the CMM and install a working CMM in the same bay.
 - e. If the problem is solved, replace the CMM that you removed.

Cannot ping the I/O module

Use the information in this section to troubleshoot the compute node when one or more compute nodes cannot ping the I/O module.

Multiple nodes cannot ping the I/O module:

Use the information in this section to troubleshoot multiple nodes that cannot ping the I/O module.

1. If you have recently updated the firmware for one or more devices in the chassis (I/O module or CMM), install the previous level of firmware.
2. Make sure that the I/O module is powered on and the applicable ports are enabled on the I/O module.
3. Make sure that all network cables are correctly connected and that the activity LEDs are lit.
4. From the compute node operating system, verify that the network device is active. Check also the network settings, such as IP address, subnet mask (if you are using IPv4), DNS, DHCP settings, and vLAN settings to make sure that the settings match the settings of the network device. See the documentation that comes with the operating system for information about viewing network devices and checking the network settings.
5. Check the IBM Support Portal for any firmware updates that might apply to this problem. You can view the release notes for a firmware update to determine the issues that are addressed by the update.
6. Check the IBM Support Portal for any service bulletins that are related to network connectivity.
7. (Trained service technician only) Complete the following steps:
8.
 - a. Force the link/duplex speed.
 - b. Check the connectors on the I/O module to make sure that no pins are bent.
 - c. Check the connectors on the chassis midplane to make sure that no pins are bent.
 - d. Remove the I/O module and install a working I/O module in the same I/O bay.
 - e. If the problem is solved, replace the I/O module that you removed.

Single node cannot ping to IOM:

Use the information in this section to troubleshoot a single compute node that cannot ping the I/O module.

1. If you have recently updated the firmware for one or more devices in the chassis (I/O module) and have verified the network settings, install the previous level of firmware.
2. Make sure that the I/O module is powered on and the applicable ports are enabled on the I/O module.
3. Make sure that all network cables are correctly connected and that the activity LEDs are lit. If the cables are correctly connected and the LEDs are not lit, replace the cable.
4. Check the IBM Support Portal for any firmware updates that might apply to this problem. You can view the release notes for a firmware update to determine the issues that are addressed by the update.
5. Remove the node from the chassis and check the connectors at the back of the node for bent pins. If the pins are bent, go to the IBM Support Portal to submit a service request.

6. Install the compute node in another node bay, if one is available. If the problem remains, make sure that the compute node is connected to a port that has been enabled and that the vLAN settings allow that port to connect to the network.
7. Check the IBM Support Portal for any service bulletins that are related to I/O-module connectivity.
8. If the problem remains, replace the I/O module, and go to the IBM Support Portal to submit a service request.
9. (Trained service technician only) Complete the following steps:
10.
 - a. Force the link/duplex speed.
 - b. Check the connectors on the I/O module to make sure that no pins are bent.
 - c. Check the connectors on the chassis midplane to make sure that no pins are bent.
 - d. Remove the I/O module and install a working I/O module in the same I/O bay.
 - e. If the problem is solved, replace the I/O module that you removed.

Cannot ping the IBM Flex System Manager management node on the data network

Use the information in this section to troubleshoot the compute node when one or more compute nodes cannot ping the management node on the data network.

Multiple nodes cannot ping the management node in a different chassis:

Use the information in this section to troubleshoot multiple nodes that cannot ping the IBM Flex System Manager management node in a different chassis on the data network.

1. Make sure that the management node is powered on and is not hung, by logging in to the management node. If you are unable to log in from the management network, attempt to log in from the data network. If the management node is powered on and hung, perform a virtual reset of the management node from the CMM.
2. Make sure that the I/O module is powered on and is not hung, by pinging the I/O module from the management node. If the I/O module is powered on and hung, reset the I/O module. Make sure that the correct ports are enabled for the node on the I/O module.
3. Make sure that the management network port (eth1) in the management node is enabled. Make sure that the port configuration settings are correct for the data network.
4. Make sure that the configuration settings for each node are correct and that the data network ports are enabled.
5. Make sure that the configuration settings in the I/O module are correct and that the applicable ports are enabled for your compute nodes and the management node on the I/O module. If the problem remains, complete the following steps:
6.
 - a. Restart the I/O module.
 - b. Check the IBM Support Portal for any firmware updates that might apply to this issue. You can view the release notes for a firmware update to determine the issues that are addressed by the update.

- c. Perform a virtual reseal of the I/O module.
- d. Replace the I/O module.
- 7. Check the IBM Support Portal for any service bulletins that are related to network connectivity.
- 8. Remove the management node and make sure that the connectors on the midplane and the node are not damaged.
- 9. (Trained service technician only) Complete the following steps:
- 10.
 - a. Force the link/duplex speed.
 - b. Check the connectors on the nodes and the midplane to make sure that no pins are bent.
 - c. Replace the I/O expansion card in the management node.

Multiple nodes cannot ping the management node in the same chassis:

Use the information in this section to troubleshoot multiple nodes that cannot ping the IBM Flex System Manager management node in the same chassis on the data network.

- 1. Make sure that the management node is powered on and is not hung, by logging in to the management node. If you are unable to log in from the management network, attempt to log in from the data network. If the management node is powered on and hung, perform a virtual reseal of the management node from the CMM.
- 2. Make sure that the I/O module is powered on and is not hung, by pinging the I/O module from the management node. If the I/O module is powered on and hung, reset the I/O module. Make sure that the correct ports are enabled for the node on the I/O module.
- 3. Make sure that the management network port (eth1) is enabled in the management node. Make sure that the port configuration settings are correct for the data network.
- 4. Make sure that the configuration settings for each node are correct and that the data network ports are enabled.
- 5. Make sure that the configuration settings in the I/O module are correct and that the appropriate ports are enabled for your compute nodes and the management node on the I/O module. If the problem remains, complete the following steps:
- 6.
 - a. Restart the I/O module.
 - b. Check the IBM Support Portal for any firmware updates that might apply to this issue. You can view the release notes for a firmware update to determine the issues that are addressed by the update.
 - c. Perform a virtual reseal of the I/O module.
 - d. Replace the I/O module.
- 7. Check the IBM Support Portal for any service bulletins that are related to network connectivity.
- 8. Remove the management node and make sure that the connectors on the midplane and the management node are not damaged.
- 9. (Trained service technician only) Complete the following steps:
- 10.
 - a. Force the link/duplex speed.

- b. Check the connectors on the nodes and the midplane to make sure that no pins are bent.
- c. Replace the I/O expansion card in the management node.

Multiple nodes cannot ping the management node in the same chassis and different chassis:

Use the information in this section to troubleshoot multiple nodes that cannot ping the IBM Flex System Manager management node in the same chassis or a different chassis on the data network.

1. Follow the steps in Multiple nodes cannot ping the management node in the same chassis.
2. Follow the steps in Multiple nodes cannot ping the management node in a different chassis.

Single node cannot ping the management node in a different chassis:

Use the information in this section to troubleshoot a single compute node that cannot ping the IBM Flex System Manager management node in a different chassis on the data network.

1. Make sure that the management node is powered on and is not hung, by logging in to the management node. If you are unable to log in from the management network, attempt to log in from the data network. If the management node is powered on and hung, perform a virtual reset of the management node from the CMM.
2. Make sure that the I/O module is powered on and is not hung, by pinging the I/O module from the management node. If the I/O module is powered on and hung, reset the I/O module. Make sure that the correct ports are enabled for the node on the I/O module.
3. Make sure that the compute node is the only one in the chassis that the management node cannot ping. If it is not, follow the steps in Multiple nodes cannot ping the management node in the same chassis.
4. Make sure that the IP configuration settings on the node are correct and that the port is enabled.
5. Check the IBM Support Portal for any firmware updates that might apply to this issue. You can view the release notes for a firmware update to determine the issues that are addressed by the update.
6. Check the IBM Support Portal for any service bulletins that are related to network connectivity.
7. Remove the compute node and make sure that the connectors on the midplane and the node are not damaged.
8. (Trained service technician only) Complete the following steps:
9.
 - a. Force the link/duplex speed.
 - b. Check the connectors on the node and the midplane to make sure that no pins are bent.

Single node cannot ping the management node in the same chassis:

Use the information in this section to troubleshoot a single compute node that cannot ping the IBM Flex System Manager management node in the same chassis on the data network.

1. Make sure that the management node is powered on and is not hung, by logging in to the management node. If you are unable to log in from the management network, attempt to log in from the data network. If the management node is powered on and hung, perform a virtual reseal of the management node from the CMM.
2. Make sure that the I/O module is powered on and is not hung, by pinging the I/O module from the management node. If the I/O module is powered on and hung, reset the I/O module. Make sure that the correct ports are enabled for the node on the I/O module.
3. Make sure that the compute node is the only one in the chassis that the management node cannot ping. If it is not, follow the steps in Multiple nodes cannot ping the management node in the same chassis.
4. Make sure that the configuration settings in the node are correct and that the port is enabled.
5. Check the IBM Support Portal for any firmware updates that might apply to this issue. You can view the release notes for a firmware update to determine the issues that are addressed by the update.
6. Check the IBM Support Portal for any service bulletins that are related to network connectivity.
7. Remove the compute node and make sure that the connectors on the midplane and the node are not damaged.
8. (Trained service technician only) Complete the following steps:
9.
 - a. Force the link/duplex speed.
 - b. Check the connectors on the node and the midplane to make sure that no pins are bent.

Cannot ping the IBM Flex System Manager management node on the management network

Use the information in this section to troubleshoot the compute node when one or more compute nodes cannot ping the management node on the management network.

Multiple nodes cannot ping the management node in a different chassis:

Use the information in this section to troubleshoot multiple nodes that cannot ping the IBM Flex System Manager management node in a different chassis on the management network.

1. Make sure that the management node is powered on and is not hung, by logging in to the management node. If you are unable to log in from the management network, attempt to log in from the data network. If the management node is powered on and hung, perform a virtual reseal of the management node from the Chassis Management Module (CMM).
2. Make sure that the Chassis Management Module (CMM) is powered on and is not hung by pinging the Chassis Management Module (CMM) from the management node:
3.
 - a. If the Chassis Management Module (CMM) is powered on and hung, reset the Chassis Management Module (CMM).
 - b. Make sure that the IMM, the management node, and the Chassis Management Module (CMM) are all on the same subnet.

4. Make sure that all cables between the CMMs and the top-of-rack switch are correctly connected and secure and that the activity LEDs are lit on the applicable ports.
5. Make sure that the Chassis Management Module (CMM)s (the Chassis Management Module (CMM) in the same chassis as the management node and the Chassis Management Module (CMM) in the remote chassis) have the same subnet address and can ping one another. If they cannot, make sure that the ports on the top-of-rack switch are enabled. Attempt to connect the Chassis Management Module (CMM)s directly if possible.
6. Make sure that the management node has fully discovered the nodes within its chassis by viewing the chassis map. If it has not fully discovered the nodes, follow the steps in Multiple nodes cannot ping the management node in the same chassis.
7. Make sure that the management processor for each compute node has a valid IP address by checking the chassis map of the remote chassis.
8. Note: If the Chassis Management Module (CMM) recently lost connection to the DHCP server, you must reset the IMM by using the Chassis Management Module (CMM) interface so that a new IP address can be acquired.
9. If a system-management processor does not have a valid IP address, complete the following steps:
10.
 - a. Restart the Chassis Management Module (CMM) in the remote chassis.
 - b. Check the IBM Support Portal for any firmware or software updates that might apply to this issue. You can view the release notes for a firmware update to determine the issues that are addressed by the update.
 - c. Remove and reinstall Chassis Management Module (CMM).
 - d. Replace the Chassis Management Module (CMM).
11. Check the IBM Support Portal for any service bulletins that are related to network connectivity.
12. Remove the node and make sure that the connectors on the midplane and the node are not damaged.
13. (Trained service technician only) Complete the following steps:
14.
 - a. Force the link/duplex speed.
 - b. Check the connectors on the nodes and the midplane to make sure that no pins are bent.
 - c. Replace the I/O expansion card in the management node.

Related Links:

- <http://www.ibm.com/support>
- “Installing an I/O expansion adapter” on page 742
- “Removing an I/O expansion adapter” on page 741

Multiple nodes cannot ping the management node in the same chassis:

Use the information in this section to troubleshoot multiple nodes that cannot ping the IBM Flex System Manager management node in the same chassis on the management network.

1. Make sure that the management node is powered on and is not hung, by logging in to the management node. If you are unable to log in from the management network, attempt to log in from the data network. If the

- management node is powered on and hung, perform a virtual reset of the management node from the Chassis Management Module (CMM).
2. Make sure that the Chassis Management Module (CMM) is powered on and is not hung, by pinging the Chassis Management Module (CMM) from the management node:
 3.
 - a. If the Chassis Management Module (CMM) is powered on and hung, reset the Chassis Management Module (CMM).
 - b. Make sure that the IMM, the management node, and Chassis Management Module (CMM) are all on the same subnet.
 4. Make sure that the management network port (eth0) in the management node is enabled.
 5. Make sure that the management node has an IP address, is on the same subnet as the Chassis Management Module (CMM), and is able to ping the Chassis Management Module (CMM).
 6. Make sure that the system-management processor in each compute node has a valid IP address by checking the chassis map of the remote chassis.
 7. Note: If the Chassis Management Module (CMM) recently lost connection to the DHCP server, you must reset the IMM by using the Chassis Management Module (CMM) interface so that a new IP address can be acquired.
 8. If a system-management processor does not have a valid IP address, complete the following steps:
 9.
 - a. Restart the Chassis Management Module (CMM).
 - b. Check the IBM Support Portal for any firmware or software updates that might apply to this issue. You can view the release notes for a firmware update to determine the issues that are addressed by the update.
 - c. Remove and reinstall Chassis Management Module (CMM).
 - d. Replace the Chassis Management Module (CMM).
 10. Check the IBM Support Portal for any service bulletins that are related to network connectivity.
 11. Remove the management node and make sure that the connectors on the midplane and the management node are not damaged.
 12. (Trained service technician only) Complete the following steps:
 13.
 - a. Force the link/duplex speed.
 - b. Check the connectors on the nodes and the midplane to make sure that no pins are bent.
 - c. Replace the I/O expansion card in the management node.
 - d. Replace the management node.

Related Links:

- <http://www.ibm.com/support>
- “Installing an I/O expansion adapter” on page 742
- “Removing an I/O expansion adapter” on page 741

Multiple nodes cannot ping the management node in the same chassis and different chassis:

Use the information in this section to troubleshoot multiple nodes that cannot ping the IBM Flex System Manager management node in the same chassis or a different chassis on the management network.

1. Follow the steps in Multiple nodes cannot ping the management node in the same chassis.
2. Follow the steps in Multiple nodes cannot ping the management node in a different chassis.

Single node cannot ping the management node in a different chassis:

Use the information in this section to troubleshoot a single compute node that cannot ping the IBM Flex System Manager management node in a different chassis on the management network.

1. Make sure that the management node is powered on and is not hung, by logging in to the management node. If you are unable to log in from the management network, attempt to log in from the data network. If the management node is powered on and hung, perform a virtual reset of the management node from the Chassis Management Module (CMM).
2. Make sure that the Chassis Management Module (CMM) is powered on and is not hung, by pinging the Chassis Management Module (CMM) from the management node:
3.
 - a. If the Chassis Management Module (CMM) is powered on and hung, reset the Chassis Management Module (CMM).
 - b. Make sure that the IMM, the management node, and Chassis Management Module (CMM) are all on the same subnet.
4. Make sure that the compute node is the only one in the chassis that the management node cannot ping. If it is not, follow the steps in Multiple nodes cannot ping the management node in the same chassis. Make sure that the compute node appears on the chassis map (it might not be fully discovered by the management node software).
5. Make sure that the IMM has acquired an IP address from the Chassis Management Module (CMM) by using the Setup utility on the compute node.
6. Note: If the Chassis Management Module (CMM) recently lost connection to the DHCP server, you must reset the IMM by using the Chassis Management Module (CMM) interface so that a new IP address can be acquired.
7. Make sure that the system-management processor in each compute node has a valid IP address by checking the chassis map of the remote chassis.
8. Note: If the Chassis Management Module (CMM) recently lost connection to the DHCP server, you must reset the IMM by using the Chassis Management Module (CMM) interface so that a new IP address can be acquired.
9. Check the IBM Support Portal for any firmware updates that might apply to this issue. You can view the release notes for a firmware update to determine the issues that are addressed by the update.
10. Check the IBM Support Portal for any service bulletins that are related to network connectivity.
11. Remove the compute node and make sure that the connectors on the midplane and the node are not damaged.

12. (Trained service technician only) Check the connectors on the node and the midplane to make sure that no pins are bent.

Related Links:

- “Installing a compute node in a chassis” on page 702
- “Removing a compute node from a chassis” on page 701
- <http://www.ibm.com/support>

Single node cannot ping the management node in the same chassis:

Use the information in this section to troubleshoot a single compute node that cannot ping the IBM Flex System Manager management node in the same chassis on the management network.

1. Make sure that the management node is powered on and is not hung, by logging in to the management node. If you are unable to log in from the management network, attempt to log in from the data network. If the management node is powered on and hung, perform a virtual reset of the management node from the Chassis Management Module (CMM).
2. Make sure that the Chassis Management Module (CMM) is powered on and is not hung, by pinging the Chassis Management Module (CMM) from the management node. If the Chassis Management Module (CMM) is powered on and hung, reset the Chassis Management Module (CMM). Make sure that the IMM, the management node, and Chassis Management Module (CMM) are all on the same subnet.
3. Make sure that the compute node is the only one in the chassis that the management node cannot ping. If it is not, follow the steps in Multiple nodes cannot ping the management node in the same chassis. Make sure that the compute node appears on the chassis map (it might not be fully discovered by the management node software).
4. Make sure that the system-management processor in each compute node has a valid IP address by checking the chassis map of the remote chassis.
5. Note: If the Chassis Management Module (CMM) recently lost connection to the DHCP server, you must reset the IMM by using the Chassis Management Module (CMM) interface so that a new IP address can be acquired.
6. In the Chassis Management Module (CMM) user interface, click Chassis Management > Component IP Configuration and make sure that the IP address that is listed is the same as the IP address that is displayed in the Setup utility. If it is not the same, configure the IMM network settings correctly.
7. Check the IBM Support Portal for any firmware updates that might apply to this issue. You can view the release notes for a firmware update to determine the issues that are addressed by the update.
8. Check the IBM Support Portal for any service bulletins that are related to network connectivity.
9. Remove the compute node and make sure that the connectors on the midplane and the node are not damaged.
10. (Trained service technician only) Complete the following steps:
11.
 - a. Force the link/duplex speed.
 - b. Check the connectors on the node and the midplane to make sure that no pins are bent.

- c. Replace the system-board assembly (see Removing the system-board assembly and Installing the system-board assembly).

Related Links:

- “Installing the system-board components for base-assembly replacement” on page 769
- “Removing the system-board components for base-assembly replacement” on page 767
- <http://www.ibm.com/support>

Hard disk drive problems

Use this information to resolve hard disk drive problems.

Compute node fails to recognize one drive

Use this information to resolve hard disk drive problems.

1. Verify that the drive is supported for this compute node. See the IBM ServerProven website for a list of supported hard drives.
2. Make sure that the drive is seated in the drive bay properly and that there is no physical damage to the drive connectors.
3. Run the DSA SAS Fixed Disk or SAS Attached Disk diagnostic tests (see IBM Dynamic System Analysis).
4.
 - a. If the drive fails the diagnostic test, replace the drive.
 - b. If the drive passes the diagnostic tests but is still not recognized, complete the following steps:
 - c. Replace the drive.
 - d. Replace the hard drive backplane (see Removing the hard disk drive backplane and Installing the hard disk drive backplane).
 - e. Replace the system-board assembly (see Removing the system-board assembly and Installing the system-board assembly).

Related Links:

- <http://www-03.ibm.com/systems/info/x86servers/serverproven/compat/us/>
- “Installing the hard disk drive cage and backplane assembly” on page 738
- “Installing the system-board components for base-assembly replacement” on page 769
- “Removing the hard disk drive cage and backplane assembly” on page 737
- “Removing the system-board components for base-assembly replacement” on page 767

Drive problems in a shared drive system

When using the multi-share disk function in a multi-node, it allows the drives from the second, third, or fourth node as if it was local. When de-scaling the system back into a single node, be aware that one of the nodes will not have the OS installed.

Drives do not function after de-scaling a multi-node system.:

1. Ensure proper procedure for de-scaling was followed.
2. Verify all cables and storage trays, backplane and raid card are fully seated.
3. Verify that RAID has been set up properly for the new configuration.

4. Contact IBM Support.

Related Links:

- “Installing a hot-swap hard disk drive” on page 740
- “Installing an SMP expansion connector” on page 747
- “Installing the hard disk drive cage and backplane assembly” on page 738
- “Removing a hot-swap hard disk drive” on page 739
- “Removing an SMP expansion connector” on page 745
- “Removing the hard disk drive cage and backplane assembly” on page 737

Raid degraded after de-scaling a multi-node system.:

1. Insure proper procedure for de-scaling was followed
2. Verify all cables and storage trays, backplane and raid card are fully seated.
3. Verify that RAID has been set up properly for the new configuration
4. Contact IBM Support

Related Links:

- “Installing a hot-swap hard disk drive” on page 740
- “Installing an SMP expansion connector” on page 747
- “Installing the hard disk drive cage and backplane assembly” on page 738
- “Removing a hot-swap hard disk drive” on page 739
- “Removing an SMP expansion connector” on page 745
- “Removing the hard disk drive cage and backplane assembly” on page 737

Intermittent Connectivity Problems

Use this information to solve intermittent connectivity problems

Single compute node cannot connect intermittently

1. Make sure that the network cables are correctly connected in the switch module ports and the switch module is correctly seated.
2. Update the NIC device driver, or the storage device controller device driver.
3. See the documentation for the I/O module for resolving connectivity issues.

Two or more compute nodes cannot connect intermittently

1. Using the diagnostic tools that are provided by the device manufacturer, test the I/O module that the devices are connected to.
2. Attempt to connect one compute node to the network first, and connect other compute nodes, one by one, to try to isolate the problem.
3. Update the I/O module firmware, if necessary.

Intermittent problems

Use this information to solve intermittent problems.

Intermittent external device problems

1. Make sure that the correct device drivers are installed. See the manufacturer's website for documentation.
2. For a USB device:
- 3.

- a. Make sure that the device is configured correctly (see Using the Setup utility).
- b. Connect the device to another port. If using a USB hub, remove the hub and connect the device directly to the compute node. Make sure that the device is configured correctly for the port (see Using the Setup utility).
- c. Run DSA Preboot USB diagnostics (see IBM Dynamic System Analysis).

Related Links: “Using the Setup utility” on page 29

Intermittent KVM problems

Use the information in this section to troubleshoot intermittent problems with KVMs

Malfunctioning keyboard:

Make sure that all cables and the console breakout cable are properly connected and secure.

Malfunctioning mouse:

Make sure that all cables and the console breakout cable are properly connected and secure.

Video problems:

1. Make sure that all cables and the console breakout cable are properly connected and secure.
2. Make sure that the monitor is working properly by testing it on another compute node.
3. Test the console breakout cable on a working compute node to ensure that it is operating properly. Replace the console breakout cable if it is defective.

Intermittent unexpected reboots

Use the information in this section to troubleshoot issues with intermittent and unexpected reboots.

Check for an event code that indicates a reboot. See the event log for the IBM Flex System Manager management software (if installed) or see the event log of the CMM to determine what actions might be required to resolve this issue. See IMM event log. Some correctable errors require that the compute node reboot so that it can disable a device, such as a memory DIMM or a microprocessor to allow the machine to boot up properly.

Memory problems

Use this information to solve memory problems

The amount of system memory that is displayed is less than the amount of physical memory installed in the system

1. Make sure that:
 2.
 - a. You have installed the correct type of memory (see Installing a DIMM).
 - b. Memory mirroring or memory sparring mode does not account for the discrepancy. You can check the memory configuration in the Setup utility (see Using the Setup utility).

3. If new memory has recently been installed, make sure that no configuration events are reported in the event log. If there are any events, resolve them.
4. If the compute node was recently installed, moved, or serviced, make sure that the DIMMs are correctly seated in the connectors (see *Installing a DIMM*).
5. Make sure that all DIMMs are enabled. The compute node might have automatically disabled a DIMM when it detected a problem, or a DIMM might have been manually disabled (see *Using the Setup utility*).
6. Run memory diagnostics (see *IBM Dynamic System Analysis*).
7. Remove DIMMs until the compute node is showing the correct amount of memory. Install one DIMM at a time until you can determine which DIMM is not working properly. Remove that DIMM and replace it with a good DIMM (see *Removing a DIMM*, and *Installing a DIMM*).
8. If the problem remains, contact IBM Support.

Related Links:

- “Installing a DIMM” on page 719
- “Removing a DIMM” on page 717
- “Using the Setup utility” on page 29

Observable problems

Use this information to solve observable problems

Compute node is unresponsive (POST is complete and operating system is running)

If you are accessing the compute node from a remote location:

1. Make sure that all applications are running (no applications are hung).
2. Attempt to log out of the system and log back in.
3. Validate the network access by pinging or running a trace route to the compute node from a command line.
4.
 - a. If you are unable to get a response during a ping test, attempt to ping another compute node in the chassis to determine whether it is a connection problem or compute node problem.
 - b. Run a trace route to determine where the connection breaks down. Attempt to resolve a connection issue with either the VPN or the point at which the connection breaks down.
5. Restart the compute node remotely through the management interface.
6. If the problem remains, verify that any new software has been installed and configured correctly.
7. Contact your place of purchase of the software or your software provider.

If you are in the same location as the compute node:

1. If you are using a KVM connection, make sure that the connection is operating correctly. Otherwise, make sure that the keyboard and mouse are operating correctly.
2. If possible, log in to the compute node and verify that all applications are running (no applications are hung).
3. Restart the compute node.
4. If the problem remains, make sure that any new software has been installed and configured correctly.

5. Contact your place of purchase of the software or your software provider.

Machine seems to be running hot

On a single node:

Check the IBM Flex System Manager management software (if installed) or CMM log for rising temperature events. If there are no events, the compute node is running within normal operating temperatures. Note that you can expect some variation in temperature.

On multiple machines/chassis:

1. Make sure that the room temperature is within the specified range (see Features and specifications).
2. Check the IBM Flex System Manager management software (if installed) or CMM log for rising temperature events. If there are no events, the compute node is running within normal operating temperatures. Note that you can expect some variation in temperature.

Unusual Smell

1. An unusual smell might be coming from newly installed equipment.
2. If the problem remains, contact IBM Support.

Optional device and replaceable component installation problems

Use this information to resolve optional device and replaceable component installation problems.

External USB device not recognized

Use this information to troubleshoot external USB devices.

1. Make sure that the proper drivers are installed on the compute node. See the product documentation for the USB device for information about device drivers.
2. Use the Setup utility to make sure that the device is configured correctly.
3. If the USB device is plugged into a hub or the console breakout cable, unplug the device and plug it directly into the USB port on the front of the compute node.
4. Run the DSA USB diagnostic tests

Network adaptors plugged into I/O expansion connectors 3 or 4 show only half the ports available.

PCIe connectors 3 and 4 only have 1 x 8 PCIe lanes. This creates a problem for cards that require 2 x 8 lanes. Not all cards are supported in connectors 3 and 4.

1. Verify the cards in I/O connector 3 and 4 are not cards supported only in I/O expansion connectors 1 and 2. The following link to the Service Guide describes cards supported only in I/O expansion connector 1 and 2.
2. If the card is in the correctly supported connector, replace the card.

Related Links:

- “Installing an I/O expansion adapter” on page 742
- “Removing an I/O expansion adapter” on page 741

OS will not load via USB 3.0 port

The USB 3.0 port on the front of the box can not be used to install some OSs, in particular, the Windows OSs, as the driver is not native to this OS and will require a device driver to work. Other OSs, such as Linux should be ok.

1. Verify OS supports USB 3.0. Check with your OS provider to insure installs are supported through USB 3.0.
2. Update OS USB driver to support USB 3.0

Related Links:

- IBM Flex System and IBM PureFlex Firmware Updates Best Practices
- “Installing the USB flash drive” on page 757
- “Installing the LAN over USB Linux device driver” on page 58
- “Installing the LAN over USB Windows device driver” on page 56
- “Removing the USB flash drive” on page 756

PCIe Adapters not recognized/functioning

Use this information to troubleshoot malfunctioning PCIe Adapters

1. Check the event log and resolve any issues related to the device.
2. See the IBM ServerProven website to validate that the adapter is supported.
3. Make sure that the adapter is installed in a correct slot.
4. Make sure that the proper device drivers are installed for the device.
5. Resolve any resource conflicts if running legacy mode (UEFI).
6. Check <http://www.ibm.com> for any service bulletins.
7. Ensure any adapter external connections are correct and that the connectors are not physically damaged.

Related Links:

- <http://www-03.ibm.com/systems/info/x86servers/serverproven/compat/us/>
- <http://www.ibm.com/support>

Performance problems

Use this information to solve performance problems

Network adaptors plugged into I/O expansion connectors 3 or 4 exhibit slow performance.

PCIe connectors 3 and 4 only have 1 x 8 PCIe lanes. This creates a problem for cards that require 2 x 8 lanes. Not all cards are supported in connectors 3 and 4.

1. Verify the cards in I/O connector 3 and 4 are not cards supported only in I/O expansion connectors 1 and 2. The following link to the Service Guide describes cards supported only in I/O expansion connector 1 and 2.
2. If the card is in the correctly supported connector, replace the card.

Related Links:

- “Installing an I/O expansion adapter” on page 742
- “Removing an I/O expansion adapter” on page 741

Poor or slow network performance

Use this information to troubleshoot poor or slow network performance.

1. Isolate which network is operating slowly (such as storage, data, and management). You might find it helpful to use ping tools or operating-system tools such as task manager or resource manager.
2. Check for traffic congestion on the network.
3. Update the NIC device driver, or the storage device controller device driver.
4. Use the traffic-diagnostic tools that are provided by the IO-module manufacturer.

Poor or slow Operating System performance

Use this information to troubleshoot Operating System performance issues.

1. If you have recently made changes to the compute node (for example updated device drivers or installed software applications) remove the changes.
2. Check for any networking issues.
3. Check the operating system logs for performance related errors.
4. Check for events related to high temperatures and power issues as the compute node might be throttled to help with cooling. If it is throttled, reduce the workload on the compute node to help improve performance.
5. Check for events related to disabled DIMMs. If you do not have enough memory for the application workload, your operating system will have poor performance.
6. Ensure that the workload is not too high for the configuration.

Power-on problems

Use this information to solve power-on problems

Compute node does not power off

Complete the following steps until the problem is solved.

1. Attempt to power off the compute node through the IBM Flex System Manager user interface, if an IBM Flex System Manager management node is installed. Otherwise, attempt to power off the compute node through the CMM user interface.
2. Attempt to restart the system-management processor for the compute node. You can restart the system-management processor through the CMM user interface. Click the compute node in the chassis view and then click Restart System Mgmt Processor. After the system-management processor has been restarted, attempt to power off the compute node from the CMM.
3. Attempt to power off the compute node by using the power button on the front of the node.
4. Attempt to reset the compute node from the CMM command-line interface (CLI) by using the reset command.
5. Reseat the CMM; then, perform steps 1-4 again.

Multiple nodes do not power on.

Complete the following steps until the problem is solved.

1. If you recently installed, moved, or serviced the computer nodes, reseat the compute nodes in the bays. If the compute nodes were not recently installed, moved, or serviced, perform a virtual reseat through the CMM service command. For more information about the CMM service command, see the "IBM Flex System Chassis Management Module: Command-Line Interface Reference Guide".

2. Check the event logs for any events that are related to the compute nodes, and solve them. If an IBM Flex System Manager management node is installed, check the event log on the management node. Otherwise, check the event log on the Chassis Management Module.

Single Node does not power on.

Complete the following steps until the problem is solved.

1. If you recently installed, moved, upgraded, or serviced the computer node, reseal the compute node in the bay. If the compute node was not recently installed, moved, or serviced, perform a virtual reseal through the CMM service command. For more information about the CMM service command, see the "IBM Flex System Chassis Management Module: Command-Line Interface Reference Guide".
2. Check the event logs for any events that are related to the compute node, and solve them. If an IBM Flex System Manager management node is installed, check the event log on the management node. Otherwise, check the event log on the Chassis Management Module.
3. Make sure that the CMM can recognize the compute node. Log in to the CMM user interface and verify that the compute node appears in the chassis view. If the CMM cannot recognize the compute node, remove the compute node and inspect the compute node and the back of the node bay to make sure there is no physical damage to the connectors.
4. Make sure that the power policy that is implemented on the CMM is sufficient to enable the compute node to power on. You can view the power policy from the CMM pmpolicy command and the CMM web interface.
5.
 - a. For more information about the CMM pmpolicy command, see the "IBM Flex System Chassis Management Module: Command-Line Interface Reference Guide".
 - b. From the CMM web interface, select Power Modules and Management from the Chassis Management menu. For more information, see the "IBM Flex System Chassis Management Module: User's Guide". All fields and options are described in the CMM web interface online help.
6. Make sure that the IBM Flex System Manager management node has completed the discovery of the compute node. Log in to the IBM Flex System Manager user interface and verify that the compute node appears in the chassis view from the CMM.
7. Replace the system-board assembly (see Removing the system-board assembly and Installing the system-board assembly).

Related Links:

- "Installing the system-board components for base-assembly replacement" on page 769
- "Removing the system-board components for base-assembly replacement" on page 767

Software

Use this information to solve software problems

Applications

Use this information to solve software Application problems

1. To determine whether the problem is caused by the software, make sure that:

2. The compute node has the minimum memory that is needed to use the software. For memory requirements, see the information that comes with the software.
3.
 - a. The software is designed to operate on the compute node.
 - b. Other software works on the compute node.
 - c. The software works on another compute node.
4. If you receive any error messages while you use the software, see the information that comes with the software for a description of the messages and suggested solutions to the problem.
5. Contact your place of purchase of the software.

OS will not load via USB 3.0 port

The USB 3.0 port on the front of the box can not be used to install some OSs, in particular, the Windows OSs, as the driver is not native to this OS and will require a device driver to work. Other OSs, such as Linux should be ok.

1. Verify OS supports USB 3.0. Check with your OS provider to insure installs are supported through USB 3.0.
2. Update OS USB driver to support USB 3.0

Related Links:

- IBM Flex System and IBM PureFlex Firmware Updates Best Practices
- “Installing the USB flash drive” on page 757
- “Installing the LAN over USB Linux device driver” on page 58
- “Installing the LAN over USB Windows device driver” on page 56
- “Removing the USB flash drive” on page 756

System Scaling Issues

Problems when scaling or de-scaling systems, usually via an SMP connector.

Drive problems in a shared drive system

When using the multi-share disk function in a multi-node, it allows the drives from the second, third, or fourth node as if it was local. When de-scaling the system back into a single node, be aware that one of the nodes will not have the OS installed.

Drives do not function after de-scaling a multi-node system.:

1. Insure proper procedure for de-scaling was followed
2. Verify all cables and storage trays, backplane and raid card are fully seated.
3. Verify that RAID has been set up properly for the new configuration
4. Contact IBM Support

Related Links:

- “Installing a hot-swap hard disk drive” on page 740
- “Installing an SMP expansion connector” on page 747
- “Installing the hard disk drive cage and backplane assembly” on page 738
- “Removing a hot-swap hard disk drive” on page 739
- “Removing an SMP expansion connector” on page 745
- “Removing the hard disk drive cage and backplane assembly” on page 737

Raid degraded after de-scaling a multi-node system.:

1. Insure proper procedure for de-scaling was followed
2. Verify all cables and storage trays, backplane and raid card are fully seated.
3. Verify that RAID has been set up properly for the new configuration
4. Contact IBM Support

Related Links:

- “Installing a hot-swap hard disk drive” on page 740
- “Installing an SMP expansion connector” on page 747
- “Installing the hard disk drive cage and backplane assembly” on page 738
- “Removing a hot-swap hard disk drive” on page 739
- “Removing an SMP expansion connector” on page 745
- “Removing the hard disk drive cage and backplane assembly” on page 737

No Video

In a scaled system, the video will be active only from the primary node while the dongle cable has access to the keyboard and video for each node.

Confirm KVM dongle cable plugged into ?primary node?.

No white LED (where) when plugging SMP (scaling) connector.

If SMP card not functional, can not cluster the systems together into a multi-node

1. Insure SMP connector fully seated.
2. Contact IBM Support

Undetermined problems

Use this information to solve undetermined problems.

Any Undetermined Problem

Use this information to solve undetermined problems.

1. Check the event log and follow the suggested actions to resolve any event codes.
2. Find the symptoms that you are experiencing in the troubleshooting tables in this section and follow the suggested actions to resolve any problems.
3. If the problem remains, submit a service request (see Getting help and technical assistance).

Compute nodes are not discovered by the IBM Flex system Manager management node or the CMM

Use this information to solve compute node discovery problems.

1. Make sure that the compute node is recognized by the IBM Flex System Manager management node (if installed) or the CMM. It may appear as an unknown device in the chassis map. If it is not recognized, perform the following steps.
 2.
 - a. Remove the compute node and inspect both the compute node and the back of the compute node bay to ensure there is no physical damage to connectors.
 - b. Move the compute node to another bay.
 - c. Replace the system-board assembly (see Removing the system-board assembly and Installing the system-board assembly).

3. Make sure that the IBM Flex System Manager management node or the CMM can ping the compute nodes, if they cannot, see Cannot ping the IBM Flex System Manager management node on the management network.
4. If the compute nodes are in another chassis, make sure that you have the proper software entitlements to manage that chassis with the IBM Flex System Manager management node.
5. Check the IBM Support Portal for any firmware updates that might apply to this issue. You can view the release notes for a firmware update to determine the issues that are addressed by the update.
6. Check the IBM Support Portal for any service bulletins that are related to network connectivity.

Related Links:

- “Installing the system-board components for base-assembly replacement” on page 769
- “Removing the system-board components for base-assembly replacement” on page 767
- <http://www.ibm.com/support>

Solving undetermined problems

Use this information to solve undetermined problems.

About this task

Note: When you are diagnosing a problem in the compute node, you must determine whether the problem is in the compute node or in the Flex System chassis.

- If all of the compute nodes have the same symptom, the problem is probably in the Flex System chassis. For more information, see the documentation for your Flex System chassis.
- If the Flex System chassis contains more than one compute node and only one of the compute nodes has the problem, troubleshoot the compute node that has the problem.

If DSA did not diagnose the failure or if the compute node is inoperative, use the information in this section.

Corrupted data in CMOS memory or corrupted UEFI code can cause undetermined problems. To reset the CMOS data, remove and replace the CMOS battery to override the power-on password and clear the CMOS memory; see “Removing the CMOS battery” on page 712. If you suspect that the UEFI code is corrupted, see “Recovering a UEFI image” on page 27.

Check the LEDs on all the power supplies of the Flex System chassis in which the compute node is installed. If the LEDs indicate that the power supplies are working correctly and reseating the compute node does not correct the problem, complete the following steps:

1. If no LEDs on the control panel are working, try to turn on the compute node from the Chassis Management Module (see the documentation for the Flex System chassis and Chassis Management Module for more information).
2. Turn off the compute node.
3. Remove the compute node from the Flex System chassis and remove the cover.

4. Remove or disconnect the following devices, one at a time, until you find the failure. Reinstall, turn on, and reconfigure the compute node each time.
 - I/O expansion adapter.
 - Hard disk drives.
 - DIMMs. The minimum configuration requirement is 4 GB (one 4 GB DIMM on the system board).

The following minimum configuration is required for the compute node to start:

- System board
 - Two microprocessors
 - One 4 GB DIMM
 - A functioning Flex System chassis
5. Install and turn on the compute node. If the problem remains, suspect the following components in the following order:
 - a. DIMM
 - b. System board
 - c. Microprocessor

If the problem is solved when you remove an I/O expansion adapter from the compute node but the problem recurs when you reinstall the same adapter, suspect the I/O expansion adapter; if the problem recurs when you replace the adapter with a different one, suspect the system board.

If you suspect a networking problem and the compute node passes all the system tests, suspect a network cabling problem that is external to the system.

Collecting service data

The first-failure data capture (FFDA) tool monitors, tracks, and captures system hardware errors and hardware and software inventory information, and reports serviceable problems directly to Support. You can also choose to collect data manually. This tool is integrated into the IMM2. All information sent to Support is encrypted and stored in a secure database and used for improved problem determination.

For more information about accessing the IMM2, see Chapter 4, “Accessing the IMM2,” on page 49.

Chapter 7. Installing, removing, and replacing compute node components

Use this information to install, remove, and replace FRUs and optional devices in the compute node.

See Chapter 5, “Parts listing, Types 7903 and 4259,” on page 59 to determine whether a component is a Tier 1 customer replaceable unit (CRU) or field replaceable unit (FRU).

For information about the terms of the warranty and getting service and assistance, see the *Warranty Information* document.

Installing an optional device

Some compute node components are available as both an optional device and a replaceable component. The installation procedure is the same for the optional device and the replaceable component.

Installation guidelines

Before you remove or replace a FRU or install an optional device, read the following information:

- Before you begin, read “Safety” on page v and “Handling static-sensitive devices” on page 700. This information will help you work safely.
- When you install your new compute node, take the opportunity to download and apply the most recent firmware updates. This step will help to ensure that any known issues are addressed and that your compute node is ready to function at maximum levels of performance.

To download the latest firmware and device drivers, go to <http://www.ibm.com/support/fixcentral> and select **Flex System** and **Flex System x280 X6, x480 X6, and x880 X6**.

- Observe good housekeeping in the area where you are working. Place removed covers and other parts in a safe place.
- Back up all important data before you make changes to hard disk drives.
- Before you remove a compute node from the Flex System chassis, you must shut down the operating system and turn off the compute node. You do not have to shut down the chassis itself.
- Blue on a component indicates touch points, where you can grip the component to remove it from or install it in the compute node, open or close a latch, and so on.
- For a list of supported optional devices for the compute node, see <http://www.ibm.com/systems/info/x86servers/serverproven/compat/us>.
- If a ServeRAID controller is installed in the compute node, you might find it necessary to remove some parts that came with the kit to access compute node components. For ServeRAID controller parts removal and installation instructions, see <http://pic.dhe.ibm.com/infocenter/flexsys/information/topic/com.ibm.acc.common.nav.doc/options.html>.

System reliability guidelines

Use these guidelines to ensure that the compute node meets the cooling and system reliability requirements:

- To ensure proper cooling, the Flex System chassis is not operated without a compute node or node bay filler in each node bay. See "Flex System Enterprise Chassis Types 8721, 8724, and 8725: Installation and Service Guide" at http://pic.dhe.ibm.com/infocenter/flexsys/information/topic/com.ibm.acc.8721.doc/product_page.html for additional information.
- Each microprocessor socket always contains a microprocessor and heat sink.
- The air baffles are installed over the DIMM connectors.
- The ventilation holes on the compute node are not blocked.
- The compute node CMOS battery is operational. If the CMOS battery becomes defective, replace it immediately.

Handling static-sensitive devices

To reduce the possibility of damage from electrostatic discharge, observe these precautions.

Attention: Static electricity can damage the compute node and other electronic devices. To avoid damage, keep static-sensitive devices in their static-protective packages until you are ready to install them.

- When you work on a Flex System chassis that has an electrostatic discharge (ESD) connector, use a wrist strap, especially when you handle modules, optional devices, or compute nodes. To work correctly, the wrist strap must have a good contact at both ends (touching your skin at one end and firmly connected to the ESD connector on the front or back of the Flex System chassis).
- Limit your movement. Movement can cause static electricity to build up around you.
- Handle the device carefully, holding it by its edges or its frame.
- Do not touch solder joints, pins, or exposed circuitry.
- Do not leave the device where others can handle and damage it.
- While the device is still in its static-protective package, touch it to an *unpainted* metal part of the Flex System chassis or any *unpainted* metal surface on any other grounded rack component in the rack in which you are installing the device for at least 2 seconds. This drains static electricity from the package and from your body.
- Remove the device from its package and install it directly into the compute node without setting down the device. If it is necessary to set down the device, put it back into its static-protective package. Do not place the device on the compute node cover or on a metal surface.
- Take additional care when you handle devices during cold weather. Heating reduces indoor humidity and increases static electricity.

Returning a device or component

If you are instructed to return a device or component, follow all packaging instructions, and use any packaging materials for shipping that are supplied to you.

Updating the compute node configuration

Use this information to update the compute node configuration.

When the compute node starts for the first time after you add or remove an internal device, you might receive a message that the configuration has changed. The Setup utility automatically starts so that you can save the new configuration settings. See “Using the Setup utility” on page 29 for more information about the Setup utility.

Some devices have device drivers that you must install. See the documentation that comes with each device for information about installing device drivers.

The compute node operates as a symmetric multiprocessing (SMP) compute node. For optimum performance, you must upgrade the operating system to support SMP. See Chapter 3, “Installing the operating system,” on page 45 and your operating-system documentation for additional information.

Removing a compute node from a chassis

Use this information to remove a compute node from a Flex System chassis.

Before you begin

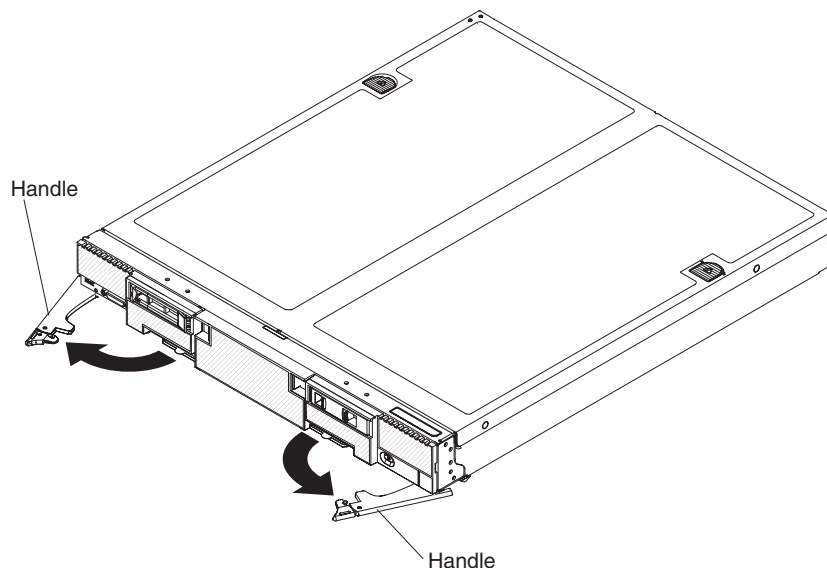
Before you remove a compute node, complete the following steps:

1. Read “Safety” on page v and “Installation guidelines” on page 699.
2. If the compute node is operating, shut down the operating system.
3. Press the power button to turn off the compute node (see “Turning off the compute node” on page 16 for more information).

Procedure

To remove the compute node from a chassis, complete the following steps:

1. Remove the SMP expansion connector, if the compute node is part of a multi-node complex (see “Removing an SMP expansion connector” on page 745).
2. Open the front handles as shown in the illustration. The compute node moves out of the node bay approximately 0.6 cm (0.25 inch).



Attention:

- To maintain proper system cooling, do not operate the Flex System chassis without a compute node or node bay filler installed in each node bay.
 - When you remove the compute node, note the node bay number. Reinstalling a compute node into a different node bay from the one it was removed from can have unintended consequences. Some configuration information and update options are established according to node bay number. If you reinstall the compute node into a different node bay, you might have to reconfigure the compute node.
3. Pull the compute node out of the node bay.
 4. Install either a node bay filler or another compute node in the node bay within 1 minute.

What to do next

If you are instructed to return the compute node, follow all packaging instructions, and use any packaging materials for shipping that are supplied to you.

Installing a compute node in a chassis

Use this information to install a compute node in a Flex System chassis.

Before you begin

Before you install the compute node in a chassis, read “Safety” on page v and “Installation guidelines” on page 699.

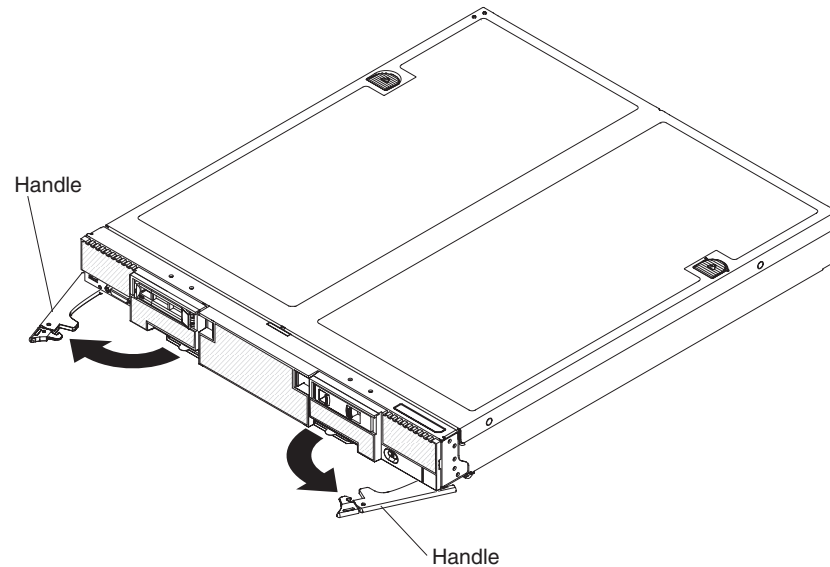
Statement 21**CAUTION:**

Hazardous energy is present when the compute node is connected to the power source. Always replace the compute node cover before installing the compute node.

If you are installing a compute node model that does not have an integrated Ethernet controller, you must install a network interface adapter before you install the compute node in the chassis for management network communication. For a list of supported optional devices for the compute node, see <http://www.ibm.com/systems/info/x86servers/serverproven/compat/us>.

Procedure

To install the compute node in a chassis, complete the following steps.



1. Select the node bay.

Notes:

- a. If you are reinstalling a compute node that you removed, you must install it in the same node bay from which you removed it. Some compute node configuration information and update options are established according to node bay number. Reinstalling a compute node into a different node bay can have unintended consequences. If you reinstall the compute node into a different node bay, you might have to reconfigure the compute node.
 - b. To maintain proper system cooling, do not operate the Flex System chassis without a compute node or node bay filler in each node bay.
 - c. If you plan to configure nodes to form a multi-node complex, the lowest node bay ID is the primary node in the scalable partition. The other nodes are the secondary nodes.
 - d. If you purchased a multi-node complex and you received each compute node packaged individually, each compute node has a label on the top of the bezel identifying the primary node and the secondary nodes as defined at the factory during testing. Install the nodes in the chassis in the order indicated on the label.
 - e. If you plan to configure a scalable partition, you must install and configure compute nodes in the configuration at the same time.
2. Make sure that the front handles on the compute node are in the open position.
 3. Slide the compute node into the node bay until it stops.
 4. Push the front handles on the front of the compute node to the closed position.

Note: After the compute node is installed, the IMM2 in the compute node initializes and synchronizes with the Chassis Management Module. This process takes approximately 90 seconds to complete. The power LED flashes rapidly, and the power button on the compute node does not respond until this process is complete.

5. Optionally, install the SMP expansion connector (see “Installing an SMP expansion connector” on page 747).

6. Turn on the compute node (see “Turning on the compute node” on page 15 for instructions).
7. Make sure that the power LED on the compute node control panel is lit continuously, indicating that the compute node is receiving power and is turned on.
8. If you have other compute nodes to install, do so now.
9. You can place identifying information on the label tabs that are accessible from the front of the compute node.

What to do next

If this is the initial installation of the compute node in the chassis, you must configure the compute node through the Setup utility and install the compute node operating system. See “Updating the compute node configuration” on page 700 and Chapter 3, “Installing the operating system,” on page 45 for details.

If you have changed the configuration of the compute node or if you are installing a different compute node from the one that you removed, you must configure the compute node through the Setup utility, and you might have to install the compute node operating system (see “Using the Setup utility” on page 29).

Removing and replacing Tier 1 customer replaceable units (CRUs)

Use this information for removing and replacing Tier 1 CRUs.

About this task

Replacement of Tier 1 CRUs is your responsibility. If Lenovo installs a Tier 1 CRU at your request, you will be charged for the installation.

Removing the adapter-retention assembly

Use this information to remove the adapter-retention assembly.

Before you begin

Before you remove the adapter-retention assembly, complete the following steps:

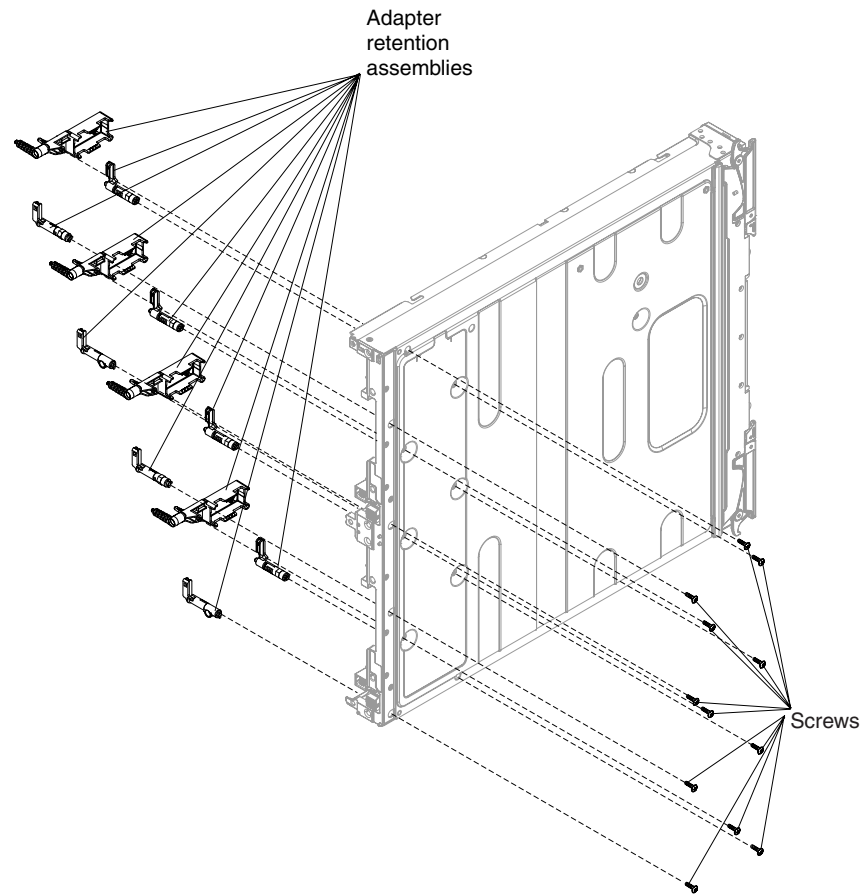
1. Read “Safety” on page v and “Installation guidelines” on page 699.
2. If the compute node is installed in an Flex System chassis, remove it (see “Removing a compute node from a chassis” on page 701 for instructions).
3. Carefully lay the compute node on a flat, static-protective surface, orienting the compute node with the bezel pointing toward you.

About this task

The adapter-retention assembly consists of multiple parts. You can replace only the parts that you choose and save the unused parts for future use.

Procedure

To remove the adapter-retention assembly, complete the following steps.



1. Remove the cover (see “Removing the compute node cover” on page 715).
2. Remove the air baffles.
3. If necessary, remove the I/O expansion adapters (see “Removing an I/O expansion adapter” on page 741).
4. Carefully place the chassis on the side with the front handle side up.
5. Using a T9 Torx screwdriver, remove the 12 screws that secure the adapter-retention assembly.
6. Lift the adapter-retention assembly from the system board.
7. Carefully return the chassis to the bottom-side-down orientation.

What to do next

If you are instructed to return the adapter-retention assembly, follow all packaging instructions, and use any packaging materials for shipping that are supplied to you.

Installing the adapter-retention assembly

Use this information to install the adapter-retention assembly.

Before you begin

Before you install the adapter-retention assembly, complete the following steps:

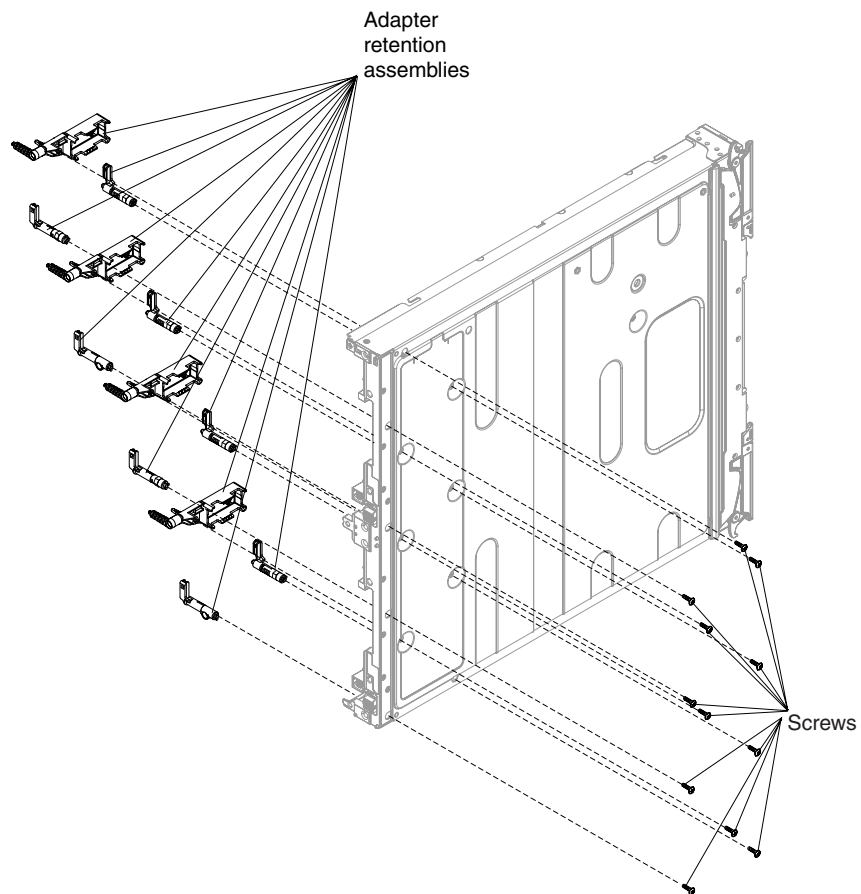
1. Read “Safety” on page v and “Installation guidelines” on page 699.
2. If the compute node is installed in an Flex System chassis, remove it (see “Removing a compute node from a chassis” on page 701 for instructions).
3. Carefully lay the compute node on a flat, static-protective surface, orienting the compute node with the bezel pointing toward you.

About this task

The adapter-retention assembly consists of multiple parts. You can replace only the parts that you choose and save the unused parts for future use.

Procedure

To install the adapter-retention assembly, complete the following steps.



1. Remove the cover (see “Removing the compute node cover” on page 715).
2. Remove the air baffles.
3. Carefully place the chassis on the side with the front handle side up.
4. Align the adapter-retention assembly on the system board.
5. Using a T9 Torx screwdriver, install the screws that secure the adapter-retention assembly.
6. Carefully return the chassis to the bottom-side-down orientation.

7. Install the I/O expansion adapters, if you removed them (see “Installing an I/O expansion adapter” on page 742).
8. Install the air baffles.
Attention: Install the air baffles with the arrow indicating airflow direction pointing to the rear of the compute node.

What to do next

After you install the adapter-retention assembly, complete the following steps:

1. Install the cover onto the compute node (see “Installing the compute node cover” on page 716 for instructions).
2. Install the compute node into the chassis (see “Installing a compute node in a chassis” on page 702 for instructions).

Removing the bezel

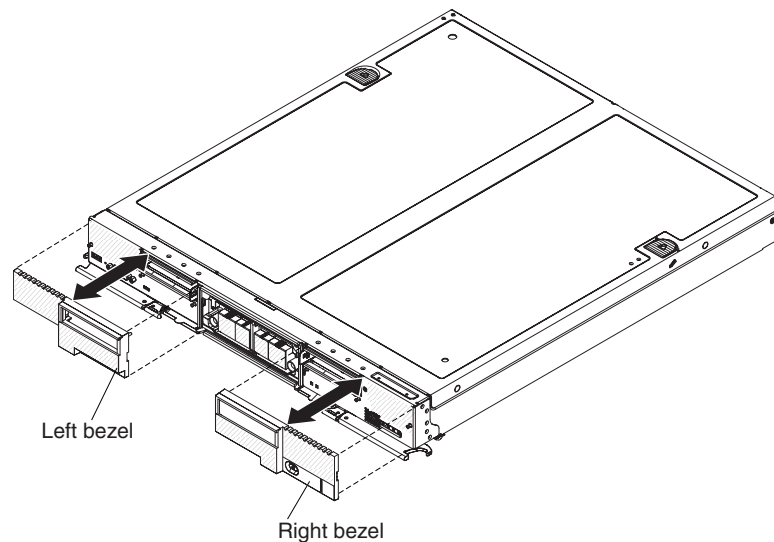
Use this information to remove the bezel.

Before you begin

Before you remove the bezel, read “Safety” on page v and “Installation guidelines” on page 699.

Procedure

To remove the bezel, complete the following steps.



1. Use a flat-blade screwdriver to carefully pull the bezel from the compute node.
2. Lift the bezel from the compute node.

What to do next

If you are instructed to return the bezel, follow all packaging instructions, and use any packaging materials for shipping that are supplied to you.

Installing the bezel

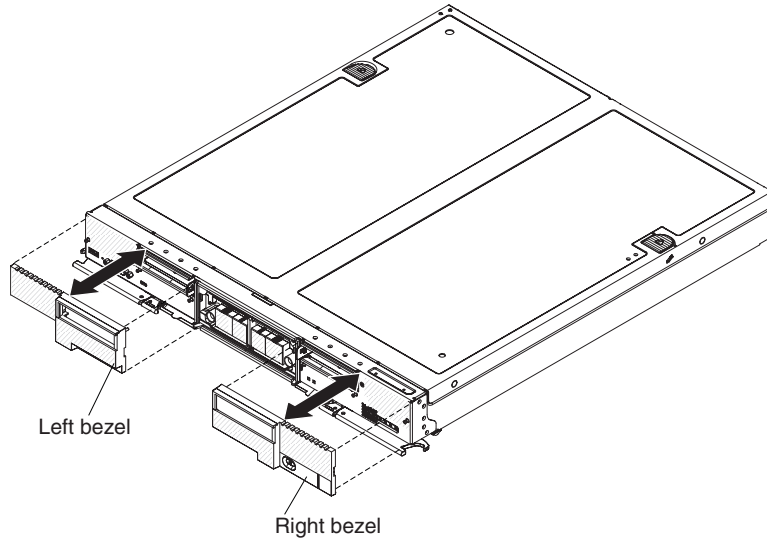
Use this information to install the bezel.

Before you begin

Before you install the bezel, read “Safety” on page v and “Installation guidelines” on page 699.

Procedure

To install the bezel, complete the following steps.



1. Position the bezel on the front of the compute node. Make sure that the clips on the back of the bezel are inserted into the pins on the front of the drive tray.
2. Press the bezel securely against the chassis. Make sure that the bezel is pressed flat against the chassis around the power button, to maintain access to the power button.

Removing the center partition

Use this information to remove the center partition.

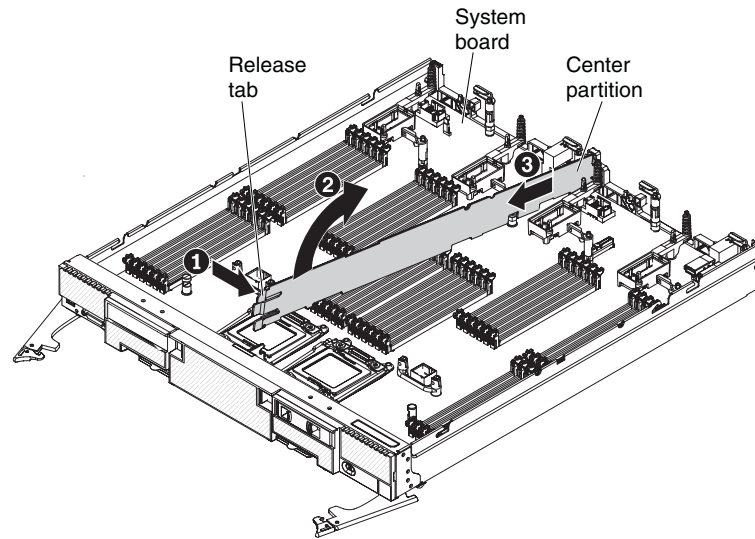
Before you begin

Before you remove the center partition, complete the following steps:

1. Read “Safety” on page v and “Installation guidelines” on page 699.
2. If the compute node is installed in an Flex System chassis, remove it (see “Removing a compute node from a chassis” on page 701 for instructions).
3. Carefully lay the compute node on a flat, static-protective surface, orienting the compute node with the bezel pointing toward you.

Procedure

To remove the center partition, complete the following steps.



1. Remove the cover (see “Removing the compute node cover” on page 715).
2. Remove the air baffles.
3. Press the center partition on the side to release it from the compute node.
4. Lift the center partition from the compute node.

What to do next

If you are instructed to return the center partition, follow all packaging instructions, and use any packaging materials for shipping that are supplied to you.

Installing the center partition

Use this information to install the center partition.

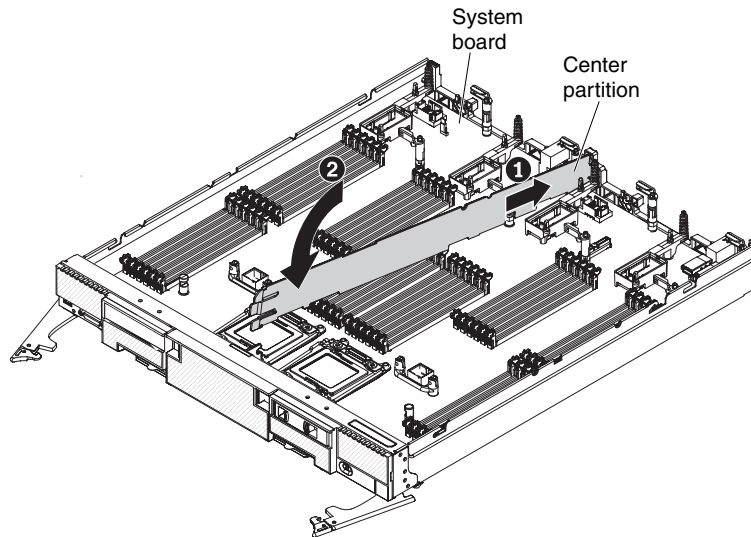
Before you begin

Before you install the center partition, complete the following steps:

1. Read “Safety” on page v and “Installation guidelines” on page 699.
2. If the compute node is installed in an Flex System chassis, remove it (see “Removing a compute node from a chassis” on page 701 for instructions).
3. Carefully lay the compute node on a flat, static-protective surface, orienting the compute node with the bezel pointing toward you.

Procedure

To install the center partition, complete the following steps.



1. Remove the cover (see “Removing the compute node cover” on page 715).
2. Remove the air baffles.
3. Place the center partition into position at the rear of the compute node.
4. Rotate the center partition and secure it at the front of the compute node.
5. Install the air baffles.

Attention: Install the air baffles with the arrow indicating air airflow direction pointing to the rear of the compute node.

Attention: To maintain proper system cooling, do not operate the compute node without the center partition installed in the compute node and the air baffles installed over the DIMM connectors.

What to do next

After you install the center partition, complete the following steps:

1. Install the cover onto the compute node (see “Installing the compute node cover” on page 716 for instructions).
2. Install the compute node into the chassis (see “Installing a compute node in a chassis” on page 702 for instructions).

Removing the chassis bulkhead

Use this information to remove the chassis bulkhead.

Before you begin

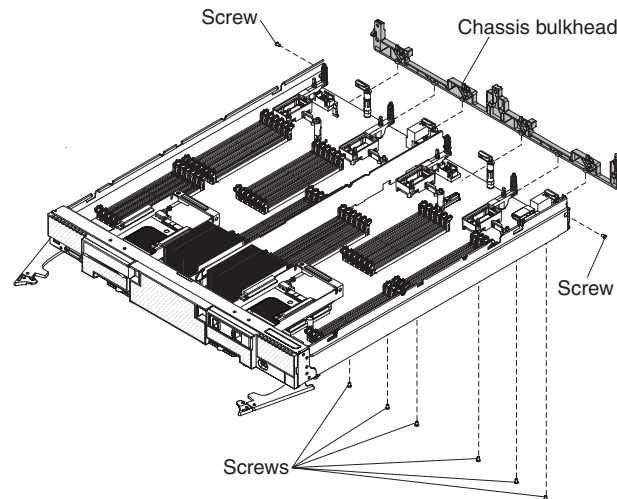
Note: This procedure should be performed only by trained service technicians.

Before you remove the chassis bulkhead, complete the following steps:

1. Read “Safety” on page v and “Installation guidelines” on page 699.
2. If the compute node is installed in an Flex System chassis, remove it (see “Removing a compute node from a chassis” on page 701 for instructions).
3. Carefully lay the compute node on a flat, static-protective surface, orienting the compute node with the bezel pointing toward you.

Procedure

To remove the chassis bulkhead, complete the following steps.



1. Remove the cover (see “Removing the compute node cover” on page 715).
2. Remove the air baffles.
3. Remove the center partition (see “Removing the center partition” on page 708).
4. Remove the fabric connectors (see “Removing a fabric connector” on page 728).
5. Carefully place the chassis on the side with the front handle side up.
6. Using a T8 Torx screwdriver, remove the screws that secure the bulkhead from the bottom of the chassis.
7. Carefully return the chassis to the bottom-side-down orientation.
8. Using a T8 Torx screwdriver, remove the screws that secure the bulkhead from the sides of the chassis.
9. Lift the chassis bulkhead from the chassis.

What to do next

If you are instructed to return the chassis bulkhead, follow all packaging instructions, and use any packaging materials for shipping that are supplied to you.

Installing the chassis bulkhead

Use this information to install the chassis bulkhead.

Before you begin

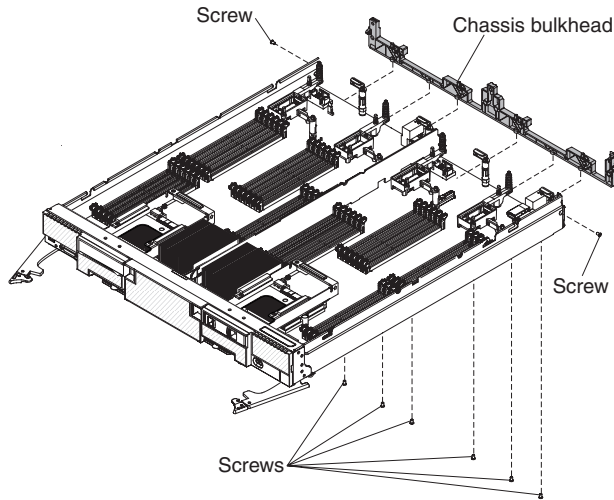
Note: This procedure should be performed only by trained service technicians.

Before you install the chassis bulkhead, complete the following steps:

1. Read “Safety” on page v and “Installation guidelines” on page 699.
2. If the compute node is installed in an Flex System chassis, remove it (see “Removing a compute node from a chassis” on page 701 for instructions).
3. Carefully lay the compute node on a flat, static-protective surface, orienting the compute node with the bezel pointing toward you.

Procedure

To install the chassis bulkhead, complete the following steps.



1. Remove the cover (see “Removing the compute node cover” on page 715).
2. Remove the air baffles.
3. Remove the center partition (see “Removing the center partition” on page 708).
4. Remove the fabric connectors (see “Removing a fabric connector” on page 728).
5. Position the bulkhead in the chassis.
6. Using a T8 Torx screwdriver, install the screws that secure the bulkhead to the sides of the chassis.
7. Carefully place the chassis on the side with the front handle side up.
8. Using a T8 Torx screwdriver, install the screws that secure the bulkhead to the bottom of the chassis.
9. Carefully return the chassis to the bottom-side-down orientation.
10. Install the fabric connectors (see “Installing a fabric connector” on page 729).
11. Install the center partition (see “Installing the center partition” on page 709).
12. Install the air baffles.

Attention: Install the air baffles with the arrow indicating air airflow direction pointing to the rear of the compute node.

Attention: To maintain proper system cooling, do not operate the compute node without the center partition installed in the compute node and the air baffles installed over the DIMM connectors.

What to do next

After you install the chassis bulkhead, complete the following steps:

1. Install the cover onto the compute node (see “Installing the compute node cover” on page 716 for instructions).
2. Install the compute node into the chassis (see “Installing a compute node in a chassis” on page 702 for instructions).

Removing the CMOS battery

Use this information to remove the CMOS battery.

Before you begin

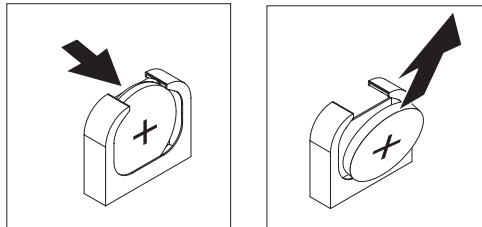
Before you remove the CMOS battery, complete the following steps:

1. Read “Safety” on page v and “Installation guidelines” on page 699.
2. If the compute node is installed in an Flex System chassis, remove it (see “Removing a compute node from a chassis” on page 701 for instructions).
3. Carefully lay the compute node on a flat, static-protective surface, orienting the compute node with the bezel pointing toward you.

Procedure

To remove the CMOS battery, complete the following steps:

1. Remove the cover (see “Removing the compute node cover” on page 715).
2. Locate the CMOS battery on the system board (see “System-board connectors” on page 17).
3. If a cover is over the CMOS battery, remove the cover.
4. Pivot the CMOS battery toward the middle of the compute node.



5. Lift the CMOS battery from the socket.

What to do next

After you remove the CMOS battery, dispose of the CMOS battery as required by local ordinances or regulations.

Installing the CMOS battery

Use this information to install a CMOS battery.

Before you begin

Before you install the CMOS battery, complete the following steps:

1. Read “Safety” on page v and “Installation guidelines” on page 699.
2. If the compute node is installed in an Flex System chassis, remove it (see “Removing a compute node from a chassis” on page 701 for instructions).
3. Carefully lay the compute node on a flat, static-protective surface, orienting the compute node with the bezel pointing toward you.

About this task

The following notes describe information that you must consider when you are replacing the CMOS battery in the compute node:

- You must replace the CMOS battery with a lithium CMOS battery of the same type.

- To order replacement batteries, call 1-800-426-7378 within the United States, and 1-800-465-7999 or 1-800-465-6666 within Canada. Outside the U.S. and Canada, call your marketing representative or authorized reseller.
- After you replace the CMOS battery, you must reconfigure the compute node and reset the system date and time.
- To avoid possible danger, read and follow the following safety statement.

Statement 2



CAUTION:

When replacing the lithium battery, use only Part Number 33F8354 or an equivalent type battery recommended by the manufacturer. If your system has a module containing a lithium battery, replace it only with the same module type made by the same manufacturer. The battery contains lithium and can explode if not properly used, handled, or disposed of.

Do not:

- Throw or immerse into water
- Heat to more than 100° C (212° F)
- Repair or disassemble

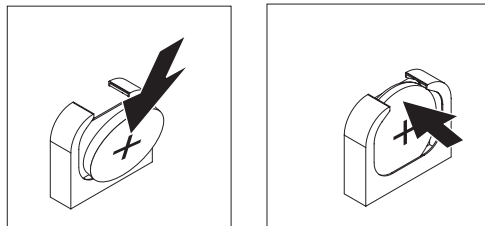
Dispose of the battery as required by local ordinances or regulations.

Attention: Touching the CMOS battery on a metal surface, such as the side of the compute node, when you replace the CMOS battery can cause it to fail.

Procedure

To install a CMOS battery, complete the following steps:

1. Remove the cover (see “Removing the compute node cover” on page 715).
2. Follow any special handling and installation instructions that come with the CMOS battery.
3. Locate the CMOS battery socket on the system board (see “System-board connectors” on page 17).
4. Orient the CMOS battery so that the positive (+) side faces in toward the center of the compute node.



5. Pivot the CMOS battery so that you can insert it into the bottom of the socket.
6. As you slide the CMOS battery into place, press the top of the CMOS battery into the socket.
7. If you removed a cover from the battery, replace the cover.

What to do next

After you install the CMOS battery, complete the following steps:

1. Install the cover onto the compute node (see “Installing the compute node cover” on page 716 for instructions).
2. Install the compute node into the chassis (see “Installing a compute node in a chassis” on page 702 for instructions).
3. Turn on the compute node, start the Setup utility, and reset the configuration (see “Using the Setup utility” on page 29 for instructions).

Removing the compute node cover

Use this information to remove the cover from a compute node.

Before you begin

Before you remove the compute node cover, complete the following steps:

1. Read “Safety” on page v and “Installation guidelines” on page 699.
2. If the compute node is installed in a Flex System chassis, remove it (see “Removing a compute node from a chassis” on page 701 for instructions).
3. Carefully lay the compute node on a flat, static-protective surface, orienting the compute node with the bezel pointing toward you.

Statement 12



CAUTION:

The following label indicates a hot surface nearby.



Statement 21



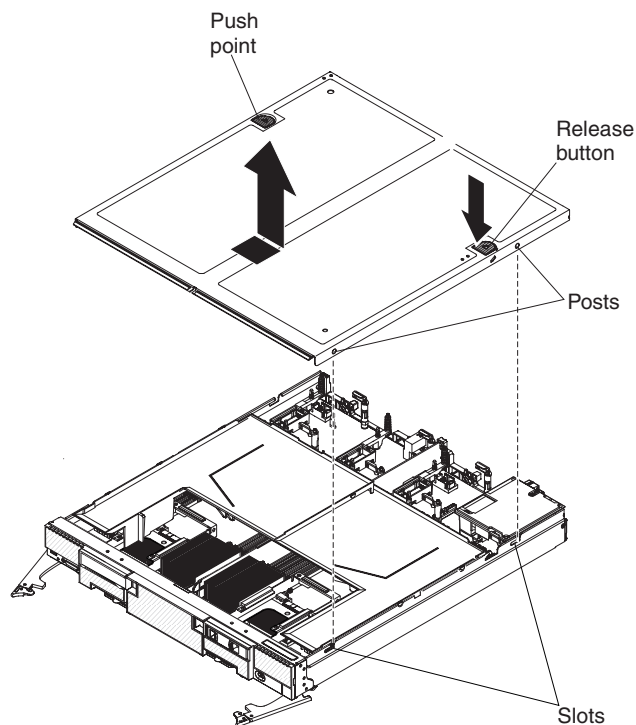
CAUTION:

Hazardous energy is present when the compute node is connected to the power source. Always replace the compute node cover before installing the compute node.

Procedure

To remove the compute node cover, complete the following steps:

1. Press on the release button and the push point at the same time and slide the cover toward the rear of the compute node.
2. Lift the cover away from the compute node.



3. Lay the cover flat or store it for future use.

What to do next

If you are instructed to return the cover, follow all packaging instructions, and use any packaging materials for shipping that are supplied to you.

Installing the compute node cover

Use this information to install the compute node cover.

Before you begin

Before you install the compute node cover, read “Safety” on page v and “Installation guidelines” on page 699.

Attention: You cannot insert the compute node into the Flex System chassis until the cover is installed and closed. Do not attempt to override this protection.

Statement 21



CAUTION:

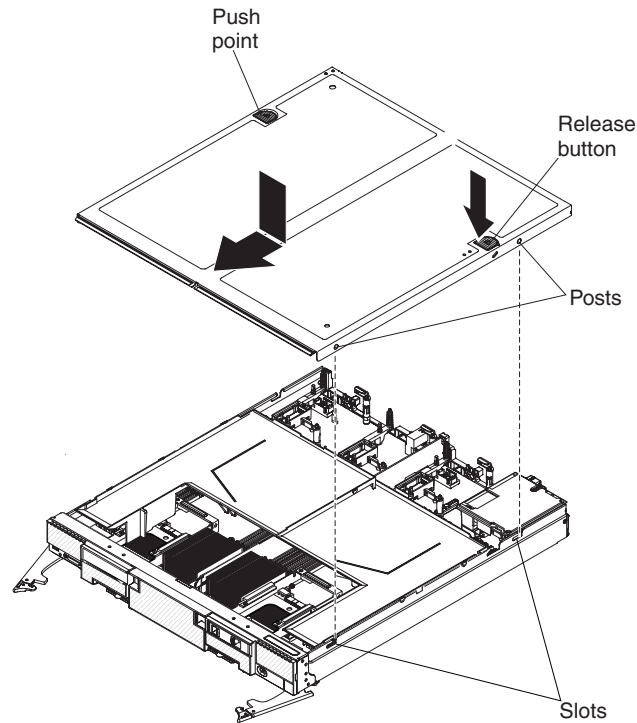
Hazardous energy is present when the compute node is connected to the power source. Always replace the compute node cover before installing the compute node.

Procedure

To install the compute node cover, complete the following steps:

1. Carefully lay the compute node on a flat, static-protective surface, orienting the compute node with the bezel pointing toward you.
2. Orient the cover so that the posts on the inside of the cover slide into the slots on the compute node.

Note: Before you close the cover, make sure that the air baffles and all components are installed and seated correctly and that you have not left loose tools or parts inside the compute node.



3. Hold the front of the compute node and slide the cover forward to the closed position, until it clicks into place.

What to do next

After you install the compute node cover, install the compute node into the chassis (see “Installing a compute node in a chassis” on page 702 for instructions).

Removing a DIMM

Use this information to remove a dual inline memory module (DIMM).

Before you begin

Before you remove a DIMM, complete the following steps:

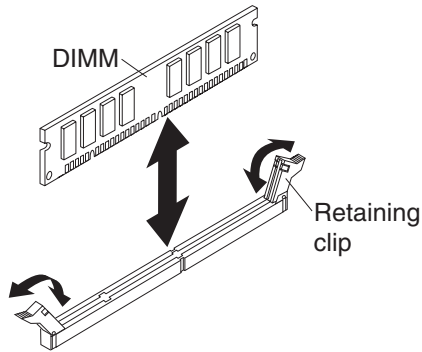
1. Read “Safety” on page v and “Installation guidelines” on page 699.
2. If the compute node is installed in an Flex System chassis, remove it (see “Removing a compute node from a chassis” on page 701 for instructions).
3. Carefully lay the compute node on a flat, static-protective surface, orienting the compute node with the bezel pointing toward you.

About this task

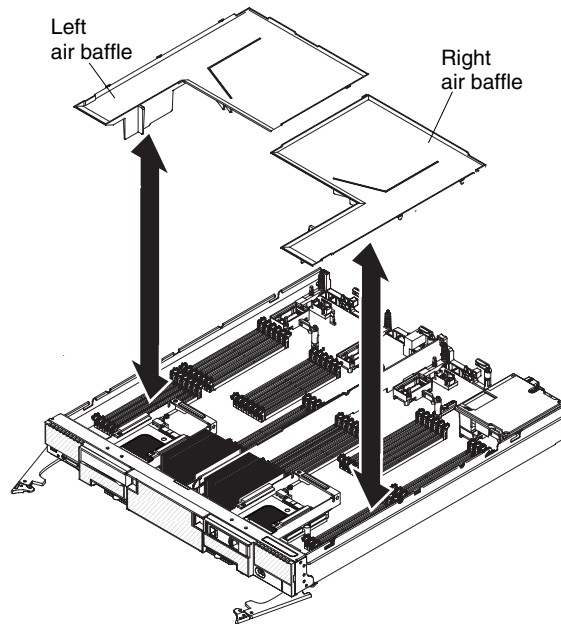
After you install or remove a DIMM, you must change and save the new configuration information by using the Setup utility. When you turn on the compute node, a message indicates that the memory configuration has changed. Start the Setup utility and select **Save Settings** (see “Using the Setup utility” on page 29 for more information) to save changes.

Procedure

To remove a DIMM, complete the following steps.



1. Remove the cover (see “Removing the compute node cover” on page 715).
2. Remove the air baffle that is installed over the DIMM connector.



3. Locate the DIMM connectors (see “System-board connectors” on page 17). Determine which DIMM you want to remove from the compute node.
Attention: To avoid breaking the retaining clips or damaging the DIMM connectors, handle the clips gently.
4. Make sure that both retaining clips on the DIMM connector from which you are removing the DIMM are in the open position.
5. Pull the DIMM out of the connector.
6. If you are not immediately replacing the DIMM, install the air baffle.

Attention:

- Install the air baffles with the arrow indicating air flow direction pointing to the rear of the compute node.
- To maintain proper system cooling, do not operate the compute node without air baffles installed over the DIMM connectors.

What to do next

If you are instructed to return the DIMM, follow all packaging instructions, and use any packaging materials for shipping that are supplied to you.

Installing a DIMM

Use this information to install a DIMM.

Before you begin

Before you install a DIMM, complete the following steps:

1. Read "Safety" on page v and "Installation guidelines" on page 699.
2. Read the documentation that comes with the DIMMs.
3. If the compute node is installed in an Flex System chassis, remove it (see "Removing a compute node from a chassis" on page 701 for instructions).
4. Carefully lay the compute node on a flat, static-protective surface, orienting the compute node with the bezel pointing toward you.

About this task

This component can be installed as an optional device or as a CRU. The installation procedure is the same for the optional device and the CRU.

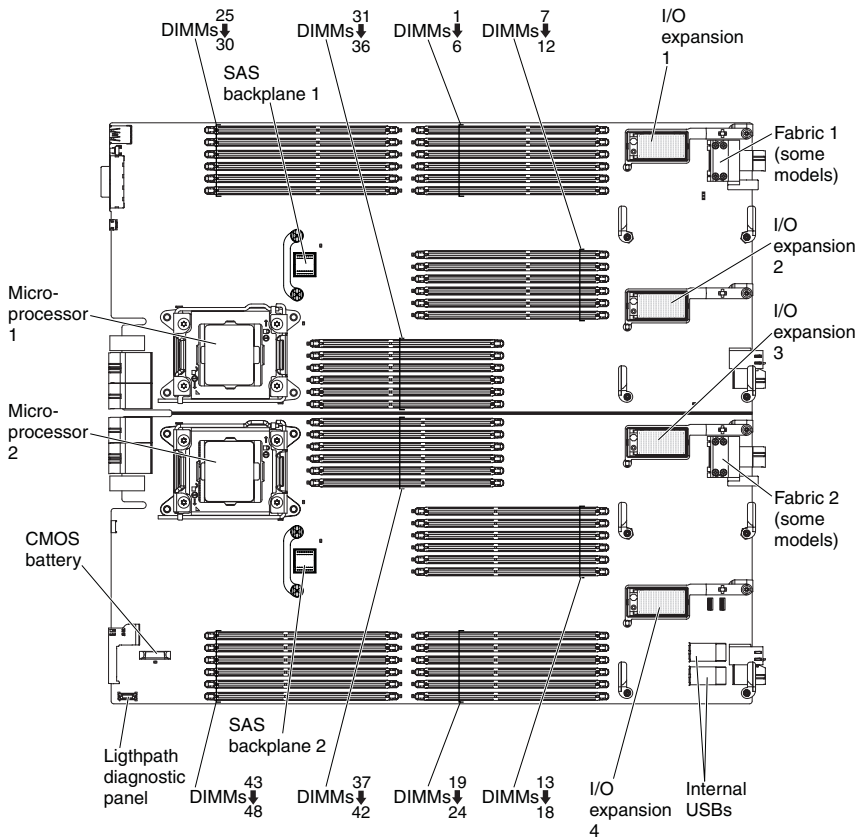
After you install or remove a DIMM, you must change and save the new configuration information by using the Setup utility. When you turn on the compute node, a message indicates that the memory configuration has changed. Start the Setup utility and select **Save Settings** (see "Using the Setup utility" on page 29 for more information) to save changes.

If you are installing a DIMM as a result of a DIMM failure, you might have to reenable the DIMM. To re-enable the DIMM, complete the following steps:

1. Verify that the amount of installed memory is the expected amount of memory through the operating system, by watching the monitor as the compute node starts, by using the CMM `sol` command, or through Flex System Manager management software.
 - For more information about the CMM `sol` command, see the "Flex System Chassis Management Module: Command-Line Interface Reference Guide" at http://pic.dhe.ibm.com/infocenter/flexsys/information/topic/com.ibm.acc.cmm.doc/cli_command_sol.html.
 - For more information about Flex System Manager management software, see the "Flex System Manager Software: Installation and Service Guide" at http://pic.dhe.ibm.com/infocenter/flexsys/information/topic/com.ibm.acc.8731.doc/product_page.html.
2. Run the Setup utility to reenable the DIMMs (see "Using the Setup utility" on page 29 for more information).

The compute node has a total of 48 dual inline memory module (DIMM) connectors. The compute node supports low-profile (LP) DDR3 DIMMs with error-correcting code (ECC) in 4 GB, 8 GB, 16 GB, 32 GB, and 64 GB capacities.

The following illustration shows the system-board components, including the DIMM connectors.



The DDR-3 DIMMs are accessed internally through the integrated memory controllers on the microprocessors. Each microprocessor controls 24 DIMMs. Eight scalable memory buffers provide the interface between the microprocessor memory controller and the DIMMs. The scalable memory controllers interface using one scalable memory interconnect 2 (SMI2) channel. Each SMI2 channel supports two DDR-3 memory buses and each DDR-3 bus connects to up to three DIMMs.

Table 9. Memory-channel configuration

Microprocessor	SMI2 channel	Scalable memory buffer	DDR channel	DIMM connector
Microprocessor 1	SMI00	JC00	DDR0	28
				29
				30
			DDR1	25
				26
				27
	SMI1	JC01	DDR0	4
				5
				6
			DDR1	1
				2
				3
	SMI2	JC02	DDR0	33
				32
				31
			DDR1	36
				35
				34
	SMI3	JC03	DDR0	10
				11
				12
DDR1			7	
			8	
			9	

Table 9. Memory-channel configuration (continued)

Microprocessor	SMI2 channel	Scalable memory buffer	DDR channel	DIMM connector
Microprocessor 2	SMI0	JC10	DDR0	15
				14
				13
			DDR1	18
				17
				16
	SMI1	JC11	DDR0	40
				41
				42
			DDR1	37
				38
				39
	SMI2	JC12	DDR0	21
				20
				19
			DDR1	24
				23
				22
	SMI3	JC13	DDR0	45
				44
				43
			DDR1	48
				47
				46

The following notes describe information that you must consider when you install memory:

- Only 8 GB and 16 GB RDIMMs are supported if you also install flash DIMMs.
- You cannot mix RDIMMs and LRDIMMs in the same compute node.
- You cannot mix RDIMMs and LRDIMMs in a scalable partition within a multi-node complex.
- A total of eight ranks on each channel is supported.
- DIMMs of mixed speed can be installed on different DIMM slots within the same channel, but the DIMMs operate at the speed of the slowest DIMM.
- If you install a quad-rank or octal-rank DIMM, install it in the connector at the end of the memory channel.
- If a channel has one or more quad-rank RDIMMs, only two DIMMs per channel are supported. The quad-rank, eight rank per channel limitation only applies to RDIMMs. You can install three quad-rank LRDIMMs because the microprocessor accesses LRDIMMs as dual-rank DIMMs.

There are two memory modes:

- **Independent-channel mode:** Independent-channel mode provides high performance memory capability. The memory channels can be populated with DIMMs in any order in independent mode. You can populate all four channels on each microprocessor in any order with no matching requirements. Individual channels can run at different DIMM timings, but all channels must run at the same interface frequency.
- **Lockstep mode:** Lockstep mode provides extensive memory protection through double device data correction (DDDC). DDDC allows up to two sequential memory DRAM chip failures without affecting overall system performance. The memory controller handles all cache lines across two DDR3 channels controlled by one scalable memory buffer. The SMI2 channel operates at the DDR3 transfer rate.

Optionally, you can enable mirrored-channel memory or rank-sparing memory to provide additional reliability:

- **Mirrored-channel memory:** In mirrored-channel memory, the contents of memory is mirrored between SMI2 channels. As a result, the total available memory is half of the physical memory installed. The maximum effective memory is 1.5 TB (using 64 GB DIMMs). To enable mirrored-channel memory, memory on each SMI2 channel must be populated with DIMMs that have the same feature set (capacity, type, and rank count). The DIMM channels can have memory with different feature sets, but the DIMM slots across each SMI2 channel must be populated with DIMMs that have the same feature set.
- **Rank-sparing memory:** In rank-sparing memory, one memory DIMM rank serves as a spare of the other ranks on the same channel. The spare rank is held in reserve and is not used as active memory. The spare rank must have identical or larger memory capacity compared to all the other active DIMM ranks on the same channel. After an error threshold is surpassed, the contents of that rank are copied to the spare rank. The failed rank of DIMMs is taken offline, and the spare rank is put online and used as active memory in place of the failed rank. The following notes describe additional information that you must consider when you select rank-sparing memory:
 - A minimum of two single-rank DIMMs per channel must be populated to use rank-sparing memory.
 - You can use rank-sparing memory with single multi-rank DIMMs.
 - Rank-sparing memory on one channel is independent of the sparing on all other channels.
 - You can use the Setup utility to determine the status of the DIMM ranks.
 - If you install LR-DIMMs, more than one rank is held in reserve.
 - Rank sparing is not supported when mirroring is enabled.

Install DIMMs in the order that is indicated in the following table for independent-channel mode.

Table 10. DIMM population sequence for independent-channel mode

DIMM order	DIMM connector
1	DIMM 28
2	DIMM 45
3	DIMM 10
4	DIMM 15
5	DIMM 4

Table 10. DIMM population sequence for independent-channel mode (continued)

DIMM order	DIMM connector
6	DIMM 21
7	DIMM 33
8	DIMM 40
9	DIMM 25
10	DIMM 48
11	DIMM 7
12	DIMM 18
13	DIMM 1
14	DIMM 24
15	DIMM 36
16	DIMM 37
17	DIMM 29
18	DIMM 44
19	DIMM 11
20	DIMM 14
21	DIMM 5
22	DIMM 20
23	DIMM 32
24	DIMM 41
25	DIMM 26
26	DIMM 47
27	DIMM 8
28	DIMM 17
29	DIMM 2
30	DIMM 23
31	DIMM 35
32	DIMM 38
33	DIMM 30
34	DIMM 43
35	DIMM 12
36	DIMM 13
37	DIMM 6
38	DIMM 19
39	DIMM 31
40	DIMM 42
41	DIMM 27
42	DIMM 46
43	DIMM 9
44	DIMM 16
45	DIMM 3

Table 10. DIMM population sequence for independent-channel mode (continued)

DIMM order	DIMM connector
46	DIMM 22
47	DIMM 34
48	DIMM 39

Install DIMMs in the order that is indicated in the following table for lockstep mode.

Table 11. DIMM population sequence for lockstep mode

Number of DIMM pairs installed	DIMM connectors
1st	DIMMs 25 and 28
2nd	DIMMs 45 and 48
3rd	DIMMs 7 and 10
4th	DIMMs 15 and 18
5th	DIMMs 1 and 4
6th	DIMMs 21 and 24
7th	DIMMs 33 and 36
8th	DIMMs 37 and 40
9th	DIMMs 26 and 29
10th	DIMMs 44 and 47
11th	DIMMs 8 and 11
12th	DIMMs 14 and 17
13th	DIMMs 2 and 5
14th	DIMMs 20 and 23
15th	DIMMs 32 and 35
16th	DIMMs 38 and 41
17th	DIMMs 27 and 30
18th	DIMMs 43 and 46
19th	DIMMs 9 and 12
20th	DIMMs 13 and 16
21st	DIMMs 3 and 6
22nd	DIMMs 19 and 22
23rd	DIMMs 31 and 34
24th	DIMMs 39 and 42

Install DIMMs in the order that is indicated in the following table for independent-channel mode with mirrored-channel memory.

Table 12. DIMM population sequence for independent-channel mode with mirrored-channel memory

Number of DIMM pairs installed	DIMM connectors
1st	DIMMs 4 and 28
2nd	DIMMs 21 and 45

Table 12. DIMM population sequence for independent-channel mode with mirrored-channel memory (continued)

Number of DIMM pairs installed	DIMM connectors
3rd	DIMMs 10 and 33
4th	DIMMs 15 and 40
5th	DIMMs 1 and 25
6th	DIMMs 24 and 48
7th	DIMMs 7 and 36
8th	DIMMs 18 and 37
9th	DIMMs 5 and 29
10th	DIMMs 20 and 40
11th	DIMMs 11 and 32
12th	DIMMs 14 and 41
13th	DIMMs 2 and 26
14th	DIMMs 23 and 47
15th	DIMMs 8 and 35
16th	DIMMs 17 and 38
17th	DIMMs 6 and 30
18th	DIMMs 19 and 43
19th	DIMMs 12 and 31
20th	DIMMs 13 and 42
21st	DIMMs 3 and 27
22nd	DIMMs 22 and 46
23rd	DIMMs 9 and 34
24th	DIMMs 16 and 39

Install DIMMs in the order that is indicated in the following table for lockstep mode with mirrored-channel memory.

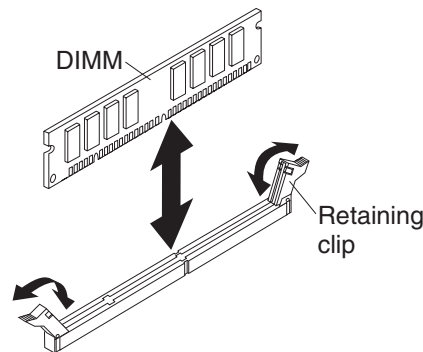
Table 13. DIMM population sequence for lockstep mode with mirrored-channel memory

Number of DIMM pairs installed	DIMM connectors
1st	DIMMs 1, 4, 25, and 28
2nd	DIMMs 21, 24, 45, and 48
3rd	DIMMs 7, 10, 33, and 36
4th	DIMMs 15, 18, 37, and 40
5th	DIMMs 2, 5, 26, and 29
6th	DIMMs 20, 23, 44, and 47
7th	DIMMs 8, 11, 32, and 35
8th	DIMMs 14, 17, 38, and 41
9th	DIMMs 3, 6, 27, and 30
10th	DIMMs 19, 22, 43, and 46
11th	DIMMs 9, 12, 31, and 34
12th	DIMMs 13, 16, 39, and 42

Procedure

To install a DIMM, complete the following steps:

1. Remove the cover (see “Removing the compute node cover” on page 715).
2. Read the documentation that comes with the DIMM.
3. Remove the air baffle installed over the DIMM connector.
4. Locate the DIMM connectors (see “System-board connectors” on page 17). Determine in which DIMM connector you want to install the DIMM.
5. Touch the static-protective package that contains the DIMM to any *unpainted* metal surface on the Flex System chassis or any *unpainted* metal surface on any other grounded rack component in the rack in which you are installing the DIMM for at least 2 seconds; then, remove the DIMM from the package.



6. Make sure that both retaining clips on the DIMM connector are in the open position.
7. Turn the DIMM so that the DIMM keys align correctly with the DIMM connector on the system board.
Attention: To avoid breaking the retaining clips or damaging the DIMM connector, handle the clips gently.
8. Press the DIMM into the DIMM connector. The retaining clips lock the DIMM into the connector.
9. Make sure that the small tabs on the retaining clips engage the notches on the DIMM. If there is a gap between the DIMM and the retaining clips, the DIMM has not been correctly installed. Press the DIMM firmly into the connector, and then press the retaining clips toward the DIMM until the tabs are fully seated. When the DIMM is correctly installed, the retaining clips are parallel to the sides of the DIMM.
10. Install the air baffle over the DIMM connector.
Attention:
 - Install the air baffles with the arrow indicating air flow direction pointing to the rear of the compute node.
 - To maintain proper system cooling, do not operate the compute node without air baffles installed over the DIMM connectors.

What to do next

After you install the DIMM, complete the following steps:

1. Install the cover onto the compute node (see “Installing the compute node cover” on page 716 for instructions).
2. Install the compute node into the chassis (see “Installing a compute node in a chassis” on page 702 for instructions).

Removing a fabric connector

Use this information to remove a fabric connector.

Before you begin

Note: This procedure should be performed only by trained service technicians.

Before you remove the fabric connector, complete the following steps:

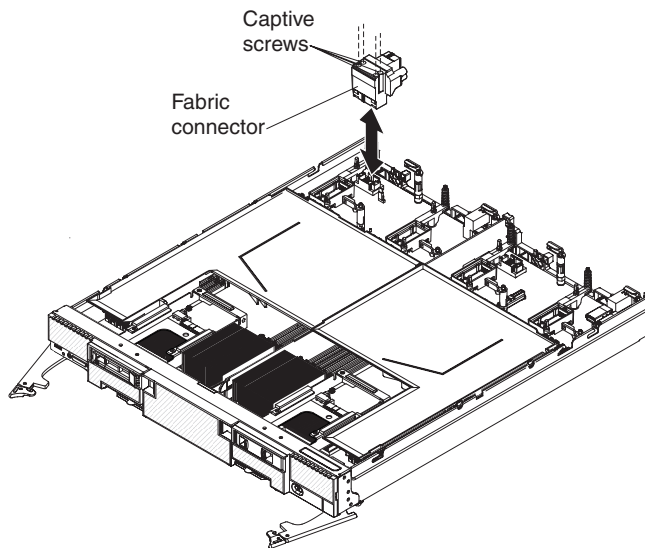
1. Read “Safety” on page v and “Installation guidelines” on page 699.
2. If the compute node is installed in an Flex System chassis, remove it (see “Removing a compute node from a chassis” on page 701 for instructions).
3. Carefully lay the compute node on a flat, static-protective surface, orienting the compute node with the bezel pointing toward you.

About this task

When you remove the fabric connector, the UEFI firmware holds the Ethernet controller in reset and displays a warning message, if an I/O expansion adapter is not installed in the I/O expansion connector 1 to provide connectivity to the chassis.

Procedure

To remove a fabric connector, complete the following steps.



1. Remove the cover (see “Removing the compute node cover” on page 715).
2. Locate the fabric connector on the system board.
3. Using a Phillips #1 screwdriver, loosen the four captive screws that secure the fabric connector.
4. Lift the fabric connector from the system board and store it in a safe place.

What to do next

If you are instructed to return the fabric connector, follow all packaging instructions, and use any packaging materials for shipping that are supplied to you.

If you have removed the fabric connector to install an I/O expansion adapter in I/O expansion connector 1, keep the fabric connector in a safe place for future use.

Installing a fabric connector

Use this information to install a fabric connector.

Before you begin

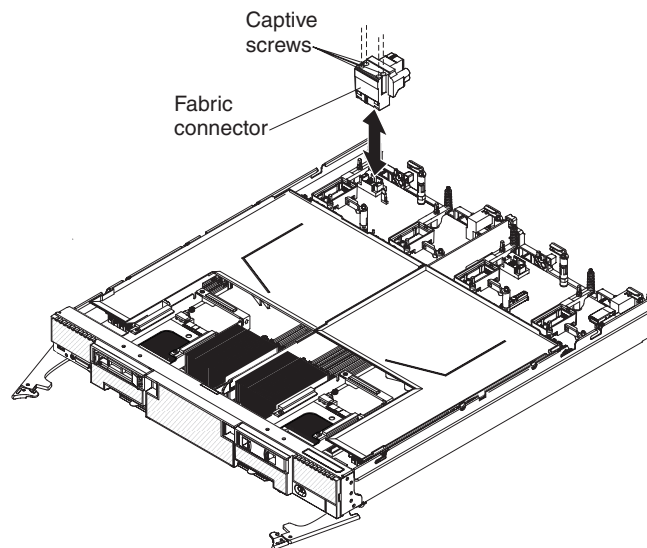
Note: This procedure should be performed only by trained service technicians.

Before you install a fabric connector, complete the following steps:

1. Read “Safety” on page v and “Installation guidelines” on page 699.
2. If the compute node is installed in an Flex System chassis, remove it (see “Removing a compute node from a chassis” on page 701 for instructions).
3. Carefully lay the compute node on a flat, static-protective surface, orienting the compute node with the bezel pointing toward you.

Procedure

To install a fabric connector, complete the following steps.



1. Remove the cover (see “Removing the compute node cover” on page 715).
2. Locate the fabric connector (see “System-board layouts” on page 17).
3. Orient the fabric connector on the system board.
4. Using a Phillips #1 screwdriver, tighten the four captive screws to secure the fabric connector.

Attention: Make sure that the fabric connector is secure, but do not overtighten the screws, to avoid damaging the connector.

What to do next

After you install the fabric connector, complete the following steps:

1. Install the cover onto the compute node (see “Installing the compute node cover” on page 716 for instructions).
2. Install the compute node into the chassis (see “Installing a compute node in a chassis” on page 702 for instructions).

Removing a flash DIMM

Use this information to remove a flash DIMM.

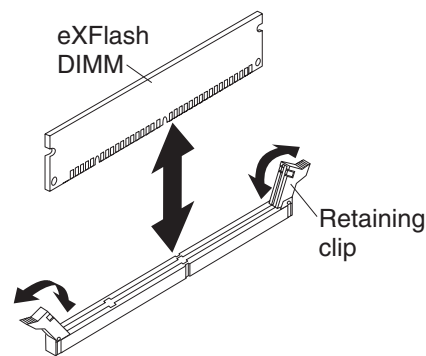
Before you begin

Before you remove a flash DIMM, complete the following steps:

1. Read “Safety” on page v and “Installation guidelines” on page 699.
2. If the compute node is installed in an Flex System chassis, remove it (see “Removing a compute node from a chassis” on page 701 for instructions).
3. Carefully lay the compute node on a flat, static-protective surface, orienting the compute node with the bezel pointing toward you.

Procedure

To remove a flash DIMM, complete the following steps.



1. Remove the cover (see “Removing the compute node cover” on page 715).
2. Remove the air baffle that is installed over the DIMM connector.
3. Locate the DIMM connectors (see “System-board connectors” on page 17). Determine which flash DIMM you want to remove from the compute node.

Attention: To avoid breaking the retaining clips or damaging the DIMM connectors, handle the clips gently.

4. Make sure that both retaining clips on the DIMM connector from which you are removing the flash DIMM are in the open position.
5. Pull the flash DIMM out of the connector.
6. If you are not immediately replacing the flash DIMM, install the air baffle.

Attention:

- Install the air baffles with the arrow indicating air flow direction pointing to the rear of the compute node.
- To maintain proper system cooling, do not operate the compute node without air baffles installed over the DIMM connectors.

What to do next

If you are instructed to return the flash DIMM, follow all packaging instructions, and use any packaging materials for shipping that are supplied to you.

Installing a flash DIMM

Use this information to install a flash DIMM.

Before you begin

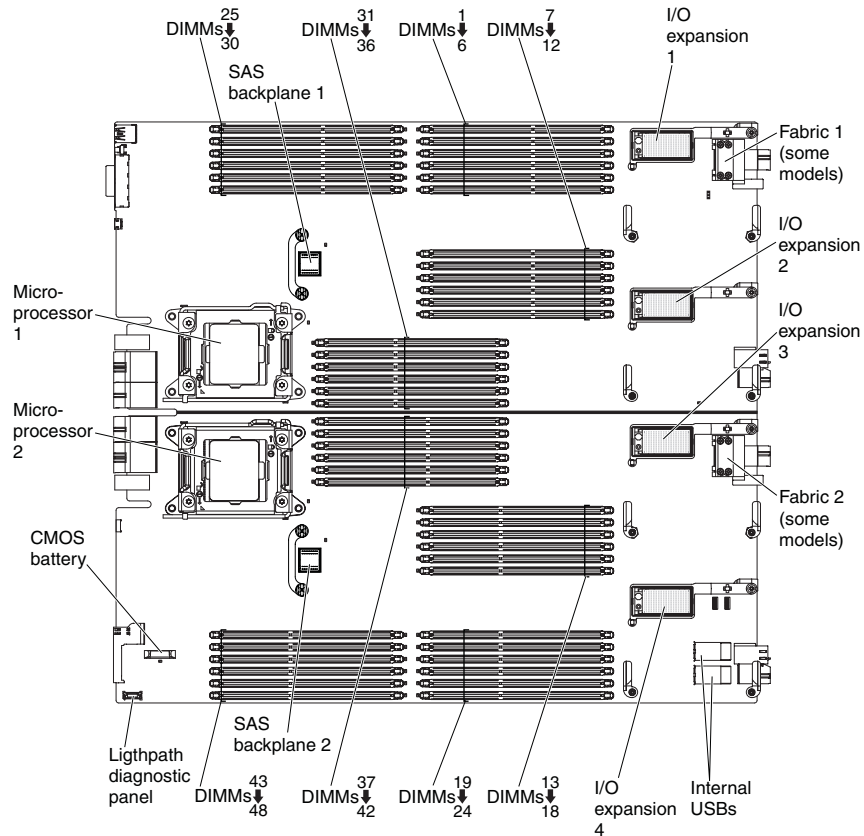
Before you install a flash DIMM, complete the following steps:

1. Read “Safety” on page v and “Installation guidelines” on page 699.
2. Read the documentation that comes with the flash DIMMs.
3. If the compute node is installed in an Flex System chassis, remove it (see “Removing a compute node from a chassis” on page 701 for instructions).
4. Carefully lay the compute node on a flat, static-protective surface, orienting the compute node with the bezel pointing toward you.

About this task

This component can be installed as an optional device or as a CRU. The installation procedure is the same for the optional device and the CRU.

The following illustration shows the system-board components, including the DIMM connectors.



The following notes describe information that you must consider when you install flash DIMMs:

- Install only 200 GB flash DIMMs or only 400 GB flash DIMMs, mixing of capacities is not supported.
- Install only one flash DIMM per channel with one or two RDIMMs on the same channel.
- You can install 1, 2, 4, 8, 12, or 16 flash DIMMs.

- In two-node and four-node complexes, you can install 1, 2, 4, 8, 12, 16, or 32 flash DIMMs.
- You can install flash DIMMs in only the two nodes in the lowest bay IDs in a four-node complex.
- Flash DIMMs are not supported if lockstep mode, mirrored-channel mode, or rank sparing is enabled.
- Flash DIMMs operate at the same DIMM frequency as the speed of the RDIMMs installed in the compute node.

If RDIMMs are installed, see Table 14 for one-node configurations or Table 15 on page 733 for multi-node configurations.

Table 14. Flash DIMM population sequence in a one-node configuration with a maximum of 16 RDIMMs

DIMM order	DIMM connector	DIMM type
1	DIMM 28	RDIMM
2	DIMM 45	RDIMM
3	DIMM 10	RDIMM
4	DIMM 15	RDIMM
5	DIMM 4	RDIMM
6	DIMM 21	RDIMM
7	DIMM 33	RDIMM
8	DIMM 40	RDIMM
9	DIMM 25	RDIMM
10	DIMM 48	RDIMM
11	DIMM 7	RDIMM
12	DIMM 18	RDIMM
13	DIMM 1	RDIMM
14	DIMM 24	RDIMM
15	DIMM 36	RDIMM
16	DIMM 37	RDIMM
17	DIMM 29	Flash DIMM
2	DIMM 44	Flash DIMM
3	DIMM 11	Flash DIMM
4	DIMM 14	Flash DIMM
5	DIMM 5	Flash DIMM
6	DIMM 20	Flash DIMM
7	DIMM 26	Flash DIMM
8	DIMM 47	Flash DIMM
9	DIMM 8	Flash DIMM
10	DIMM 17	Flash DIMM
11	DIMM 2	Flash DIMM
12	DIMM 23	Flash DIMM
13	DIMM 30	Flash DIMM
14	DIMM 43	Flash DIMM

Table 14. Flash DIMM population sequence in a one-node configuration with a maximum of 16 RDIMMs (continued)

DIMM order	DIMM connector	DIMM type
15	DIMM 27	Flash DIMM
16	DIMM 46	Flash DIMM

Table 15. Flash DIMM population sequence in a multi-node configuration with a maximum of 32 RDIMMs

DIMM order	DIMM connector	DIMM type
1	DIMM 28	RDIMM
2	DIMM 45	RDIMM
3	DIMM 10	RDIMM
4	DIMM 15	RDIMM
5	DIMM 4	RDIMM
6	DIMM 21	RDIMM
7	DIMM 33	RDIMM
8	DIMM 40	RDIMM
9	DIMM 25	RDIMM
10	DIMM 48	RDIMM
11	DIMM 7	RDIMM
12	DIMM 18	RDIMM
13	DIMM 1	RDIMM
14	DIMM 24	RDIMM
15	DIMM 36	RDIMM
16	DIMM 37	RDIMM
17	DIMM 29	Flash DIMM
18	DIMM 44	Flash DIMM
19	DIMM 11	RDIMM
20	DIMM 14	RDIMM
21	DIMM 5	RDIMM
22	DIMM 20	RDIMM
23	DIMM 32	RDIMM
24	DIMM 41	RDIMM
25	DIMM 26	Flash DIMM
26	DIMM 47	Flash DIMM
27	DIMM 8	RDIMM
28	DIMM 17	RDIMM
29	DIMM 2	RDIMM
30	DIMM 23	RDIMM
31	DIMM 35	RDIMM
32	DIMM 38	RDIMM
33	DIMM 30	Flash DIMM

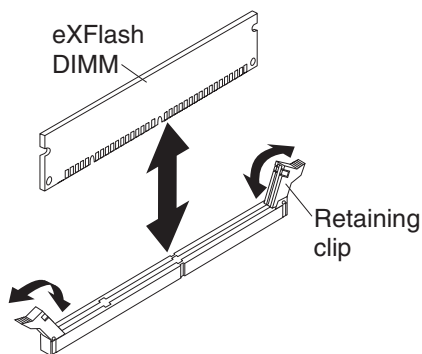
Table 15. Flash DIMM population sequence in a multi-node configuration with a maximum of 32 RDIMMs (continued)

DIMM order	DIMM connector	DIMM type
34	DIMM 43	Flash DIMM
35	DIMM 12	Flash DIMM
36	DIMM 13	Flash DIMM
37	DIMM 6	Flash DIMM
38	DIMM 19	Flash DIMM
39	DIMM 31	RDIMM
40	DIMM 42	RDIMM
41	DIMM 27	Flash DIMM
42	DIMM 46	Flash DIMM
43	DIMM 9	Flash DIMM
44	DIMM 16	Flash DIMM
45	DIMM 3	Flash DIMM
46	DIMM 22	Flash DIMM
47	DIMM 34	RDIMM
48	DIMM 39	RDIMM

Procedure

To install a flash DIMM, complete the following steps:

1. Remove the cover (see “Removing the compute node cover” on page 715).
2. Read the documentation that comes with the flash DIMM.
3. Remove the air baffle installed over the DIMM connector.
4. Locate the DIMM connectors (see “System-board connectors” on page 17). Determine in which DIMM connector you want to install the flash DIMM.
5. Touch the static-protective package that contains the flash DIMM to any *unpainted* metal surface on the Flex System chassis or any *unpainted* metal surface on any other grounded rack component in the rack in which you are installing the flash DIMM for at least 2 seconds; then, remove the flash DIMM from the package.



6. Make sure that both retaining clips on the DIMM connector are in the open position.
7. Turn the flash DIMM so that the flash DIMM keys align correctly with the DIMM connector on the system board.

Attention: To avoid breaking the retaining clips or damaging the DIMM connector, handle the clips gently.

8. Press the flash DIMM into the DIMM connector. The retaining clips lock the flash DIMM into the connector.
9. Make sure that the small tabs on the retaining clips engage the notches on the flash DIMM. If there is a gap between the flash DIMM and the retaining clips, the flash DIMM has not been correctly installed. Press the flash DIMM firmly into the connector, and then press the retaining clips toward the flash DIMM until the tabs are fully seated. When the flash DIMM is correctly installed, the retaining clips are parallel to the sides of the flash DIMM.
10. Install the air baffle over the DIMM connector.

Attention:

- Install the air baffles with the arrow indicating air flow direction pointing to the rear of the compute node.
- To maintain proper system cooling, do not operate the compute node without air baffles installed over the DIMM connectors.

What to do next

After you install the flash DIMM, complete the following steps:

1. Install the cover onto the compute node (see “Installing the compute node cover” on page 716 for instructions).
2. Install the compute node into the chassis (see “Installing a compute node in a chassis” on page 702 for instructions).

Removing the front handle

Use this information to remove the front handle.

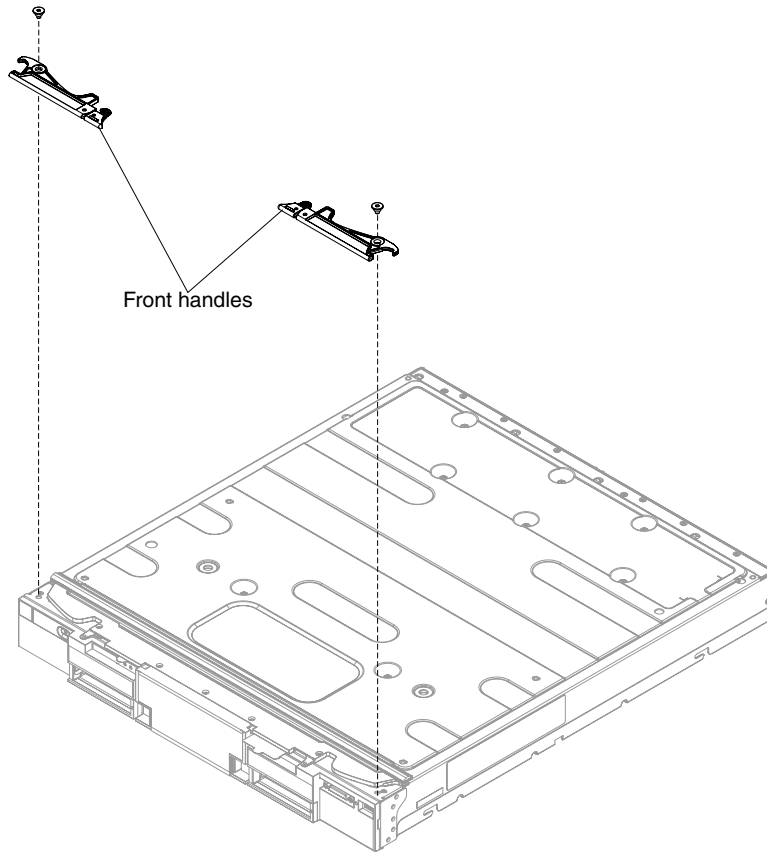
Before you begin

Before you remove the front handles, complete the following steps:

1. Read “Safety” on page v and “Installation guidelines” on page 699.
2. If the compute node is installed in an Flex System chassis, remove it (see “Removing a compute node from a chassis” on page 701 for instructions).
3. Carefully lay the compute node on a flat, static-protective surface with the cover side down, orienting the compute node with the bezel pointing toward you.

Procedure

To remove the front handles, complete the following steps.



1. Locate the screws that attach the handles to the compute node.
2. Using a T8 Torx screwdriver, remove the screw from each front handle and save the screw in a safe place. Use the same screws when you install the front handles.

What to do next

If you are instructed to return the front handles, follow all packaging instructions, and use any packaging materials for shipping that are supplied to you.

Installing the front handles

Use this information to install the front handle.

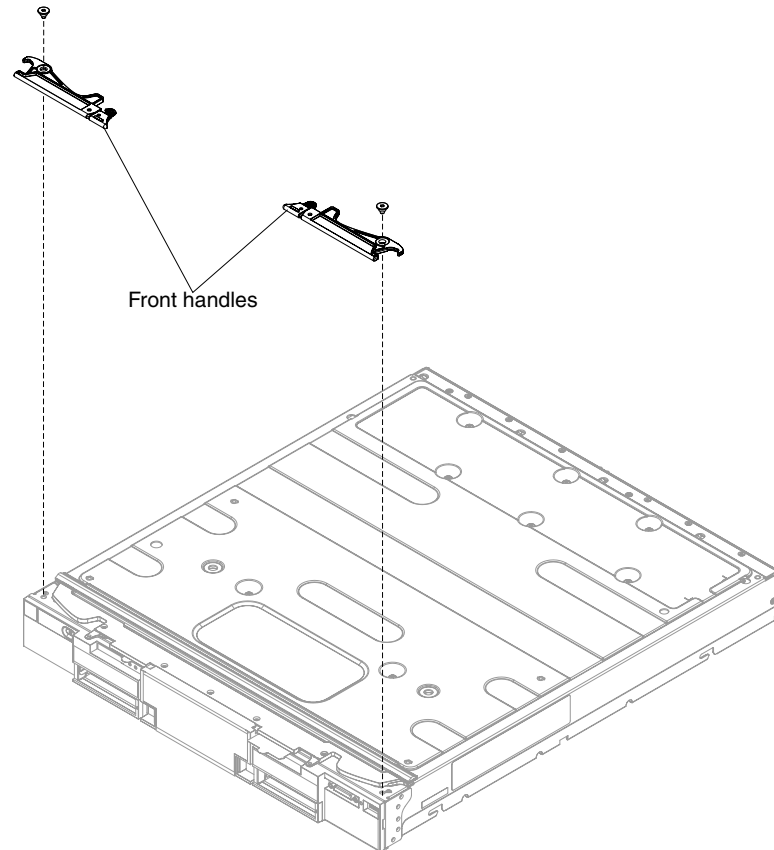
Before you begin

Before you install the front handles, complete the following steps:

1. Read “Safety” on page v and “Installation guidelines” on page 699.
2. If the compute node is installed in an Flex System chassis, remove it (see “Removing a compute node from a chassis” on page 701 for instructions).
3. Carefully lay the compute node on a flat, static-protective surface with the cover side down, orienting the compute node with the bezel pointing toward you.

Procedure

To install the front handles, complete the following steps.



1. Orient the front handles so that the blue release latches are toward the middle of the compute node.
2. Align the hole in the handles with the holes on the compute node where the handles are installed.
3. Using a T8 Torx screwdriver, install the screw that secures each handle. Use the screws that you removed when you removed the handles.

What to do next

After you install the front handles, install the compute node into the chassis (see “Installing a compute node in a chassis” on page 702 for instructions).

Removing the hard disk drive cage and backplane assembly

Use this information to remove the hard disk drive cage and backplane assembly.

Before you begin

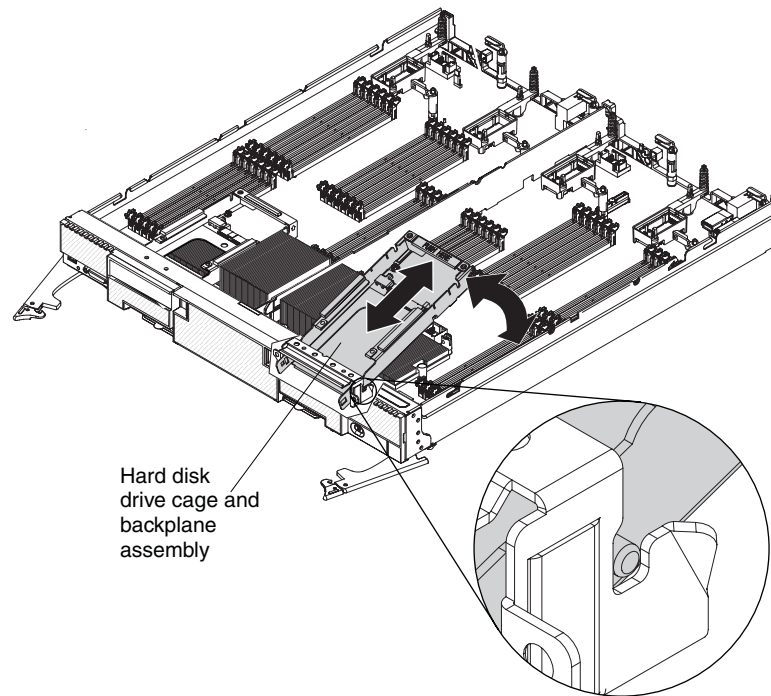
Before you remove the hard disk drive cage and backplane assembly, complete the following steps:

1. Read “Safety” on page v and “Installation guidelines” on page 699.
2. If the compute node is installed in an Flex System chassis, remove it (see “Removing a compute node from a chassis” on page 701 for instructions).

3. Carefully lay the compute node on a flat, static-protective surface, orienting the compute node with the bezel pointing toward you.

Procedure

To remove the hard disk drive cage and backplane assembly, complete the following steps.



1. Remove the cover (see “Removing the compute node cover” on page 715).
2. Remove the hot-swap hard disk drives and hard disk drive bay fillers (see “Removing a hot-swap hard disk drive” on page 739).
3. Lift up on the rear of the assembly to disconnect it from the connector on the system board.
4. Remove the assembly from the compute node at an angle.

What to do next

If you are instructed to return the hard disk drive cage and backplane assembly, follow all packaging instructions, and use any packaging materials for shipping that are supplied to you.

Installing the hard disk drive cage and backplane assembly

Use this information to install the hard disk drive cage and backplane assembly.

Before you begin

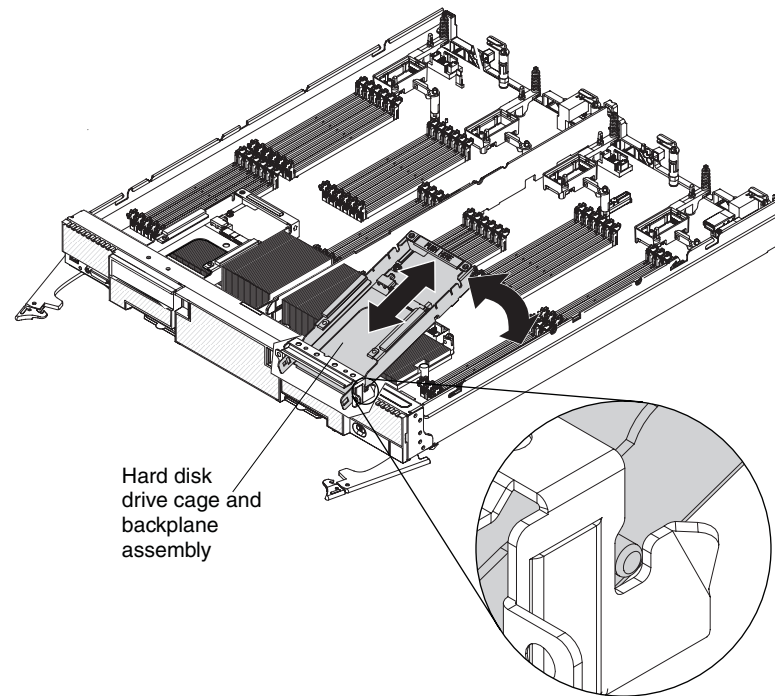
Before you install the hard disk drive cage and backplane assembly, complete the following steps:

1. Read “Safety” on page v and “Installation guidelines” on page 699.
2. If the compute node is installed in an Flex System chassis, remove it (see “Removing a compute node from a chassis” on page 701 for instructions).

3. Carefully lay the compute node on a flat, static-protective surface, orienting the compute node with the bezel pointing toward you.

Procedure

To install the hard disk drive cage and backplane assembly, complete the following steps.



1. Remove the cover (see “Removing the compute node cover” on page 715).
2. Position the assembly in the drive bay at an angle and rotate the assembly into the connector on the system board.
3. Press the assembly firmly into the system board connector.
4. Insert the hot-swap hard disk drives and hard disk drive bay fillers (see “Installing a hot-swap hard disk drive” on page 740).

What to do next

After you install the hard disk drive cage and backplane assembly, complete the following steps:

1. Install the cover onto the compute node (see “Installing the compute node cover” on page 716 for instructions).
2. Install the compute node into the chassis (see “Installing a compute node in a chassis” on page 702 for instructions).

Removing a hot-swap hard disk drive

Use this information to remove a hot-swap hard disk drive. The compute node has two SAS or SATA hard disk drive bays for installing hot-swap hard disk drives, such as hot-swap SAS hard disk drives.

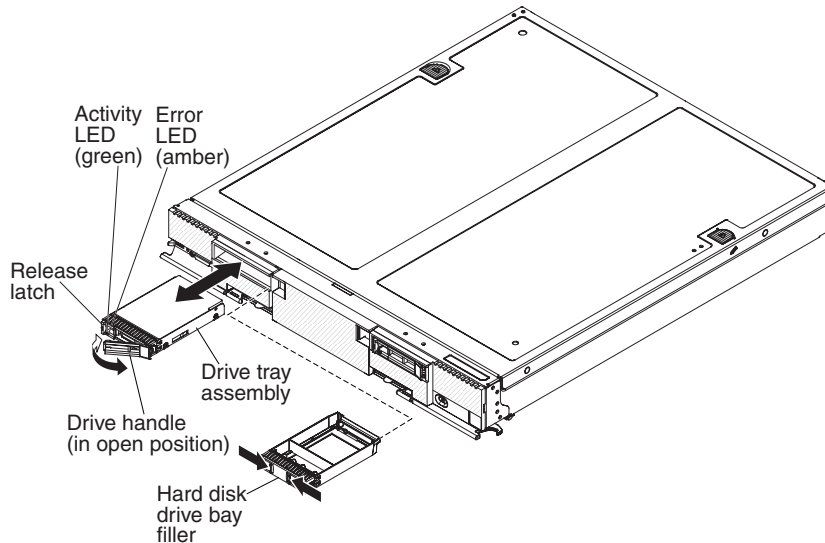
Before you begin

Before you remove a hot-swap hard disk drive, complete the following steps:

1. Back up all important data before you make changes to hard disk drives.
2. Read “Safety” on page v and “Installation guidelines” on page 699.

Procedure

To remove a hot-swap hard disk drive, complete the following steps.



1. Press the release latch (orange) on the hard disk drive to release the drive handle.
2. Pull the release handle to remove the drive from the bay.

What to do next

If you are instructed to return the hard disk drive, follow all packaging instructions, and use any packaging materials for shipping that are supplied to you.

Installing a hot-swap hard disk drive

Use this information to install a hot-swap hard disk drive.

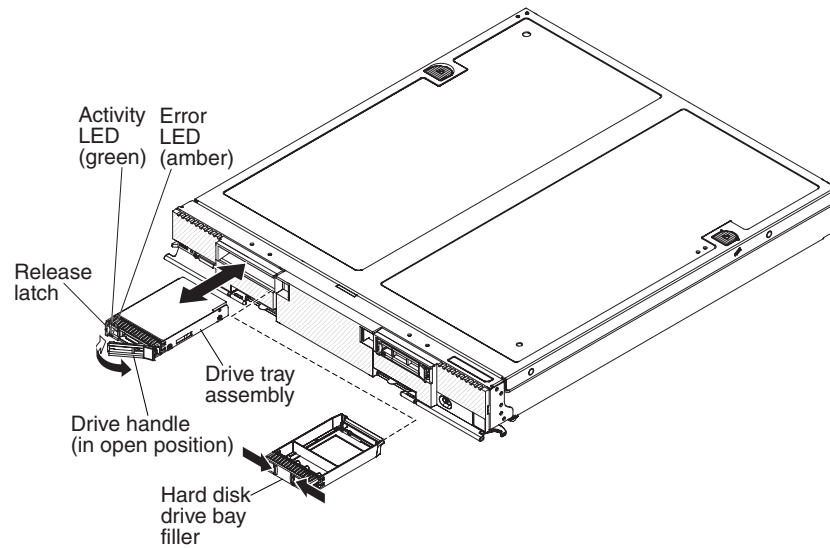
Before you begin

Before you install the hot-swap hard disk drive, read “Safety” on page v and “Installation guidelines” on page 699.

About this task

The compute node has two SAS or SATA hard disk drive bays for installing hot-swap hard disk drives, such as hot-swap SAS hard disk drives. The compute node supports using RAID 0 or RAID 1 when two hard disk drives of the same interface type are installed. See “Configuring a RAID array” on page 40 for information about RAID configuration.

To install a hot-swap hard disk drive or hard disk drive bay filler, complete the following steps.



Procedure

1. Identify the hard disk drive bay (hard disk drive bay 0 or hard disk drive bay 1) in which you plan to install the hot-swap hard disk drive.
2. If a hard disk drive bay filler is installed, remove it from the compute node by pressing together the release latches and sliding the filler away from the compute node.
3. Touch the static-protective package that contains the hot-swap hard disk drive to any *unpainted* metal surface on the Flex System chassis or any *unpainted* metal surface on any other grounded rack component; then, remove the hard disk drive from the package.
4. Open the release lever on the hot-swap hard disk drive and slide the drive into the bay until it is firmly seated in the connector.
5. Lock the hot-swap hard disk drive into place by closing the release lever.
6. Check the hard disk drive status LEDs to make sure that the hard disk drive is operating correctly.

What to do next

See “Configuring a RAID array” on page 40 for information about SAS RAID configuration.

Removing an I/O expansion adapter

Use this information to remove an I/O expansion adapter.

Before you begin

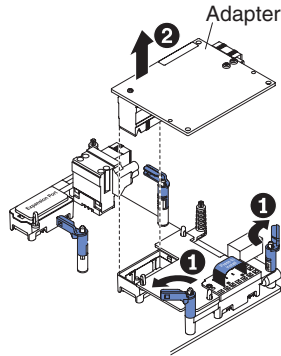
Before you remove the I/O expansion adapter, complete the following steps:

1. Read “Safety” on page v and “Installation guidelines” on page 699.
2. If the compute node is installed in an Flex System chassis, remove it (see “Removing a compute node from a chassis” on page 701 for instructions).

3. Carefully lay the compute node on a flat, static-protective surface, orienting the compute node with the bezel pointing toward you.

Procedure

To remove an I/O expansion adapter, complete the following steps.



1. Remove the cover (see “Removing the compute node cover” on page 715).
2. Locate the I/O expansion adapter connectors (see “System-board layouts” on page 17).
3. Open the retention clips **1**.
4. Lift the I/O expansion adapter from the connector and remove the I/O expansion adapter from the compute node **2**. You might find it helpful to rock the adapter back and forth to disengage the adapter.

What to do next

If you are instructed to return the I/O expansion adapter, follow all packaging instructions, and use any packaging materials for shipping that are supplied to you.

Installing an I/O expansion adapter

Use this information to install an I/O expansion adapter.

Before you begin

Before you install an I/O expansion adapter, complete the following steps:

1. Read “Safety” on page v and “Installation guidelines” on page 699.
2. If the compute node is installed in an Flex System chassis, remove it (see “Removing a compute node from a chassis” on page 701 for instructions).
3. Carefully lay the compute node on a flat, static-protective surface, orienting the compute node with the bezel pointing toward you.

About this task

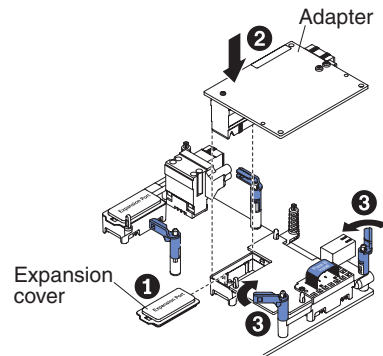
The following notes describe information that you must consider when you install an I/O expansion adapter:

- This component can be installed as an optional device or as a CRU. The installation procedure is the same for the optional device and the CRU.
- Install the ServeRAID M5115 controller in I/O expansion connector 3 only.
- The following adapters are supported only in I/O expansion connector 1 and connector 2:

- Flex System CN4054 10 Gb Virtual Fabric Adapter
- Flex System CN4058 8-port 10 Gb Virtual Fabric Adapter
- Flex System EN2024 4-port 1 Gb Ethernet Adapter
- Flex System FC5054 4-port 16 Gb FC Adapter

Procedure

To install an I/O expansion adapter, complete the following steps.



1. Remove the cover (see “Removing the compute node cover” on page 715).
2. Locate the I/O expansion connectors (see “System-board connectors” on page 17).
3. Remove the expansion cover **1** from the connector, if one is present.
4. Touch the static-protective package that contains the adapter to any *unpainted* metal surface on the Flex System chassis or any *unpainted* metal surface on any other grounded rack component; then, remove the adapter from the package.
5. Open the retention clips if they are closed.
6. Orient the connector on the expansion adapter with the I/O expansion connector and alignment pins on the system board **2**; then, press the adapter into the I/O expansion connector.
7. Firmly press on the indicated locations to seat the expansion adapter in the connector and over the alignment pins.
8. Close the retention clips **3**.

What to do next

After you install the I/O expansion adapter, complete the following steps:

1. Install the cover onto the compute node (see “Installing the compute node cover” on page 716 for instructions).
2. Install the compute node into the chassis (see “Installing a compute node in a chassis” on page 702 for instructions).
3. See the documentation that comes with the expansion adapter for device-driver and configuration information to complete the installation.

Removing the light path diagnostics panel

Use this information to remove the light path diagnostics panel.

Before you begin

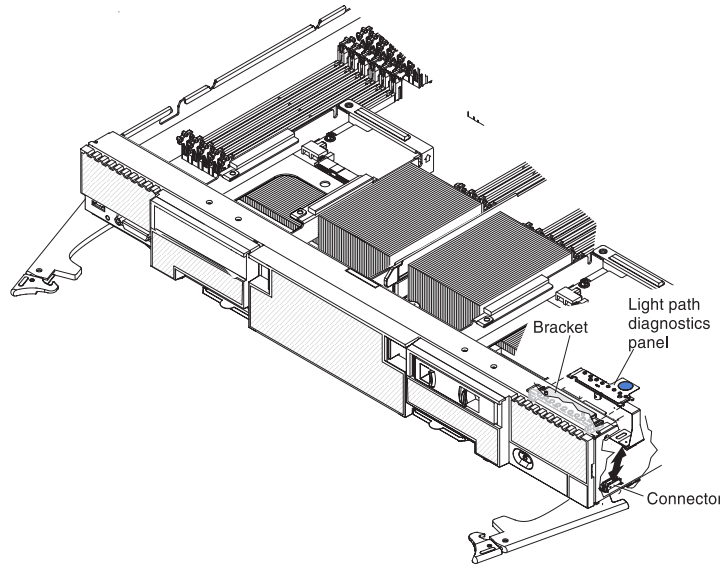
Before you remove the light path diagnostics panel, complete the following steps:

1. Read “Safety” on page v and “Installation guidelines” on page 699.

2. If the compute node is installed in an Flex System chassis, remove it (see “Removing a compute node from a chassis” on page 701 for instructions).
3. Carefully lay the compute node on a flat, static-protective surface, orienting the compute node with the bezel pointing toward you.

Procedure

To remove the light path diagnostics panel, complete the following steps.



1. Remove the cover (see “Removing the compute node cover” on page 715).
2. Pull the light path diagnostics panel out of the bracket.
3. Disconnect the cable from the system board.
4. Lift the light path diagnostics panel from the compute node.

What to do next

If you are instructed to return the light path diagnostics panel, follow all packaging instructions, and use any packaging materials for shipping that are supplied to you.

Installing the light path diagnostics panel

Use this information to install the light path diagnostics panel.

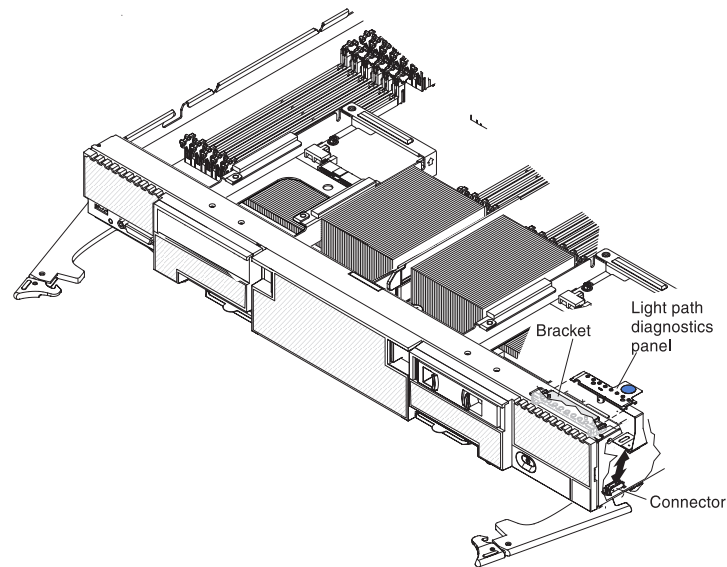
Before you begin

Before you install the light path diagnostics panel, complete the following steps:

1. Read “Safety” on page v and “Installation guidelines” on page 699.
2. If the compute node is installed in an Flex System chassis, remove it (see “Removing a compute node from a chassis” on page 701 for instructions).
3. Carefully lay the compute node on a flat, static-protective surface, orienting the compute node with the bezel pointing toward you.

Procedure

To install a light path diagnostics panel, complete the following steps.



1. Remove the cover (see “Removing the compute node cover” on page 715).
2. Connect the cable on the system board.
3. Align the light path diagnostics panel with the bracket.
4. Press the light path diagnostics panel securely in the bracket.

What to do next

After you install the light path diagnostics panel, complete the following steps:

1. Install the cover onto the compute node (see “Installing the compute node cover” on page 716 for instructions).
2. Install the compute node into the chassis (see “Installing a compute node in a chassis” on page 702 for instructions).

Removing an SMP expansion connector

Use this information to remove an SMP expansion connector.

Before you begin

Before you remove an SMP expansion connector, complete the following steps:

1. Read “Safety” on page v and “Installation guidelines” on page 699.
2. If the compute node is operating, shut down the operating system.
3. Press the power button to turn off the compute node (see “Turning off the compute node” on page 16 for more information).

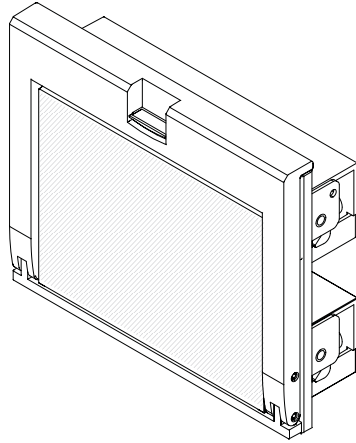
Note: When you press the power-control button on any compute node in a single partition (controlled by one operating system), all compute nodes in the single partition will be turned on or turned off.

About this task

The information in this topic applies to the optional SMP expansion connectors available for the compute node:

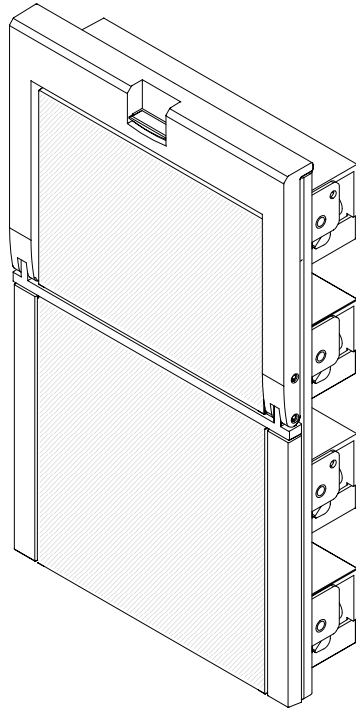
- Flex System x480 X6 4-Socket Scalability Connector

Important: The compute nodes must have Intel Xeon E7-4800 microprocessors or E7-8800 microprocessors to form a two-node (four-socket) complex.



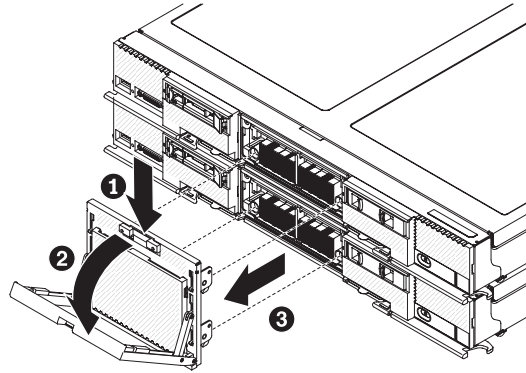
- Flex System x880 X6 8-Socket Scalability Connector

Important: The compute nodes must have Intel Xeon E7-8800 microprocessors to form a four-node (eight-socket) complex.



Procedure

To remove an SMP expansion connector, complete the following steps:



1. Press the blue release button to release the handle and disengage the SMP expansion connector from the compute node.
2. Grip the handle and pull the SMP expansion connector from the compute node.

Note: Make sure that the handle is in the open position before disconnecting the connector from the compute node.

What to do next

If you are instructed to return the SMP expansion connector, follow all packaging instructions, and use any packaging materials for shipping that are supplied to you.

See “Working with scalable partitions” on page 22 for information about configuring, modifying, and deleting scalable partitions.

Important: With the SMP expansion connector removed, each compute node must be configured for standalone operation.

Installing an SMP expansion connector

Use this information to install an SMP expansion connector.

Before you begin

Before you install an SMP expansion connector, complete the following steps:

1. Read “Safety” on page v and “Installation guidelines” on page 699.
2. If the compute node is operating, shut down the operating system.
3. Press the power button to turn off the compute node (see “Turning off the compute node” on page 16 for more information).

Notes:

- If you purchased a multi-node complex and you received each compute node packaged individually, each compute node has a label on the top of the bezel identifying the primary node and the secondary nodes as defined at the factory during testing. Install the nodes in the chassis in the order indicated on the label with the lowest number on the bottom and the highest number on top.

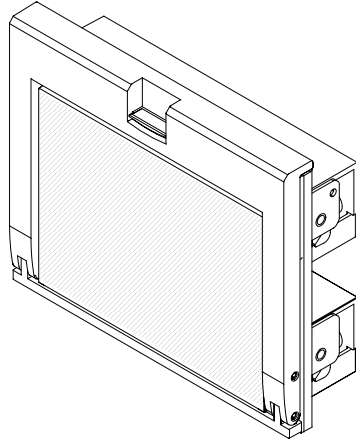
- When you press the power-control button on any compute node in a single partition (controlled by one operating system), all compute nodes in the single partition will be turned on or turned off.

About this task

The information in this topic applies to the optional SMP expansion connectors available for the compute node:

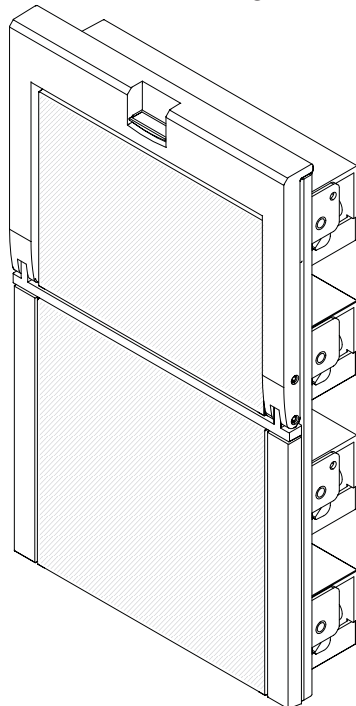
- Flex System x480 X6 4-Socket Scalability Connector

Important: The compute nodes must have Intel Xeon E7-4800 microprocessors or E7-8800 microprocessors to form a two-node (four-socket) complex.



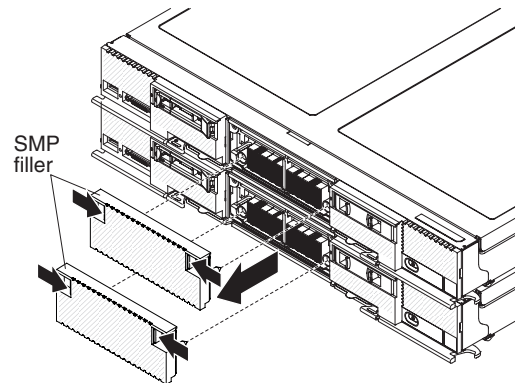
- Flex System x880 X6 8-Socket Scalability Connector

Important: The compute nodes must have Intel Xeon E7-8800 microprocessors to form a four-node (eight-socket) complex.

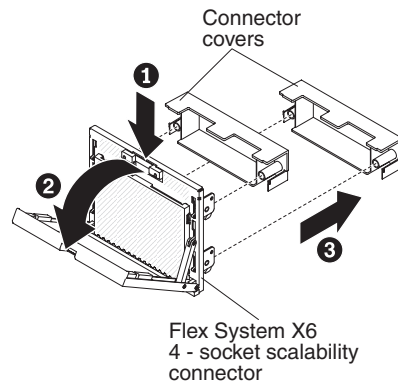


Procedure

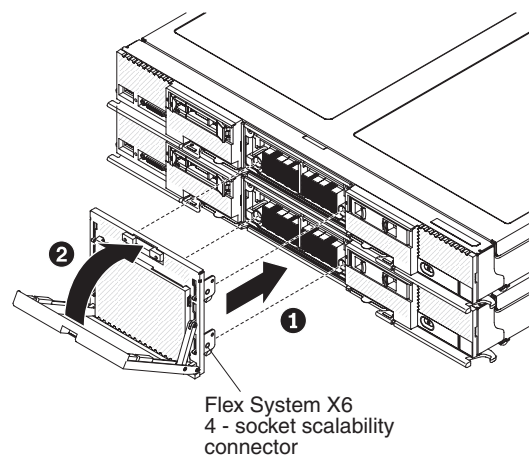
To install an SMP expansion connector, complete the following steps.



1. Remove the SMP filler from the compute node, if one is present.
2. Remove the protective covers from the connectors on the SMP expansion connector.



3. Press the blue release button to release the handle and rotate the handle to the fully open position.
4. Align the guide pins on the SMP expansion connector with the guide pin sockets on the compute node and press the connector against the compute node.



Note: Make sure that the handle is in the open position to engage the connector with the compute node.

5. Press the handle against the assembly to lock the assembly against the compute node.

What to do next

See “Working with scalable partitions” on page 22 for information about configuring, modifying, and deleting scalable partitions.

Removing a solid state drive

Use this information to remove an 1.8-inch hot-swap solid state drive (SSD).

Before you begin

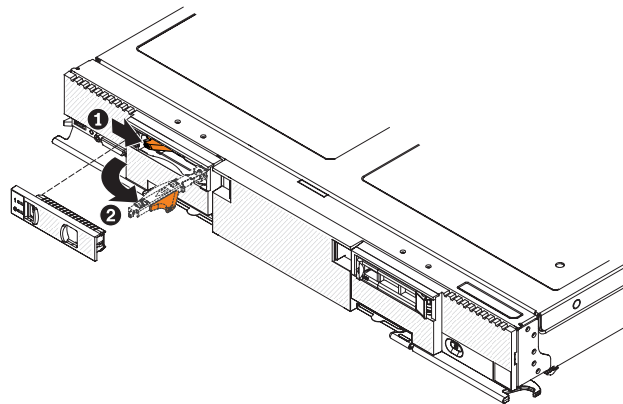
Before you remove a hot-swap solid state drive, complete the following steps:

1. Back up all important data before you make changes to solid state drives.
2. Read “Safety” on page v and “Installation guidelines” on page 699.

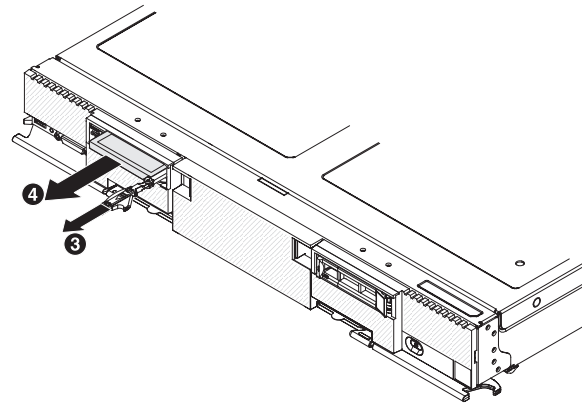
Procedure

To remove a solid state drive, complete the following steps:

1. Remove the solid state drive bezel from the front of the node.
2. For the solid state drive that you want to remove, press the release latch and rotate the loose end of the retention lever away from the compute node.

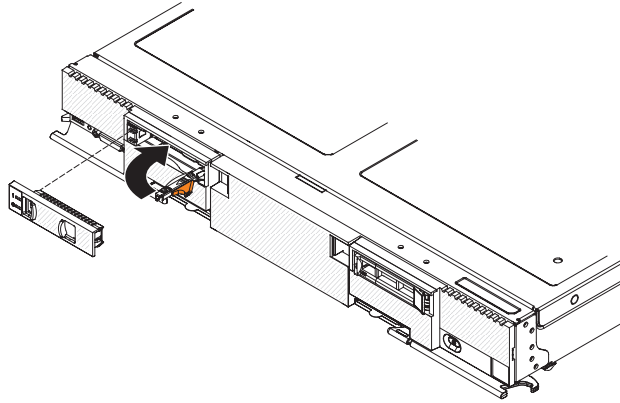


3. Pull the retention lever toward you to slide the solid state drive out of the slot.



Note: When you remove a drive from the compute node, consider labeling the drive to indicate the slot from which the drive was removed so that you can install the drive back into the same slot.

4. Close the retention lever and secure it with the latch.



Note: You might have to press the latch before you close the retention lever.

What to do next

If you are instructed to return the solid state drive, follow all packaging instructions, and use any packaging materials for shipping that are supplied to you.

Installing a solid state drive

Use this information to install an 1.8-inch hot-swap solid state drive (SSD).

About this task

You can install up to two 1.8-inch solid state drives (SSDs) in each drive bay, if a Flex System flash kit is installed in the bay.

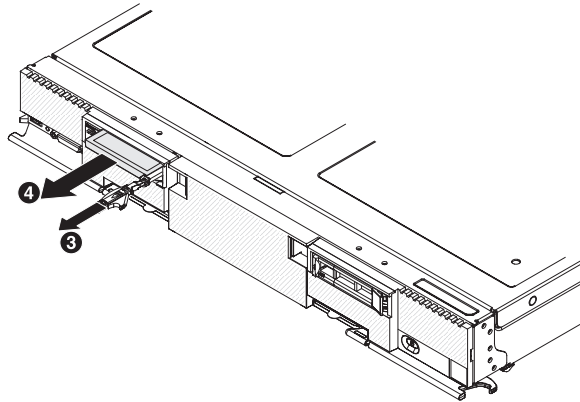
The compute node supports using RAID 0 or RAID 1 when two solid state drives of the same interface type are installed. See “Configuring a RAID array” on page 40 for information about RAID configuration.

Before you remove a 1.8-inch hot-swap solid state drive, read “Safety” on page v and “Installation guidelines” on page 699.

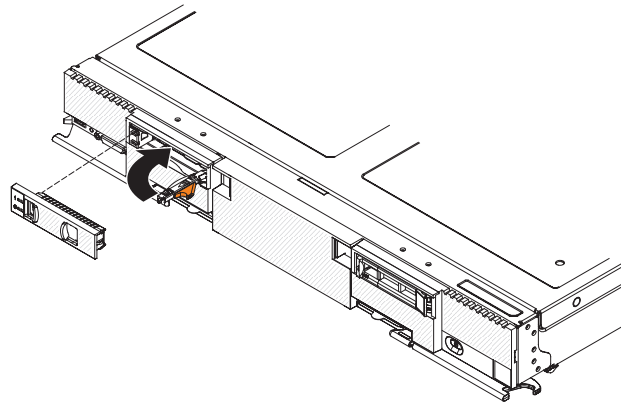
Procedure

To install a solid state drive, complete the following steps:

1. Touch the static-protective package that contains the solid state drive to any *unpainted* metal surface on the chassis or any *unpainted* metal surface on any other grounded rack component; then, remove the solid state drive from the package.
2. Slide the solid state drive into the slot until it is firmly seated in the connector.



3. If you have a second solid state drive to install, repeat steps 1 on page 751 through 2 on page 751.
4. Close the retention lever and secure it with the latch.



Note: You might have to press the latch before you close the retention lever.

What to do next

See “Configuring a RAID array” on page 40 for information about RAID configuration.

Removing the solid state drive cage and backplane

Use this information to remove the solid state drive cage and backplane.

Before you begin

Before you remove the solid state drive cage and backplane, complete the following steps:

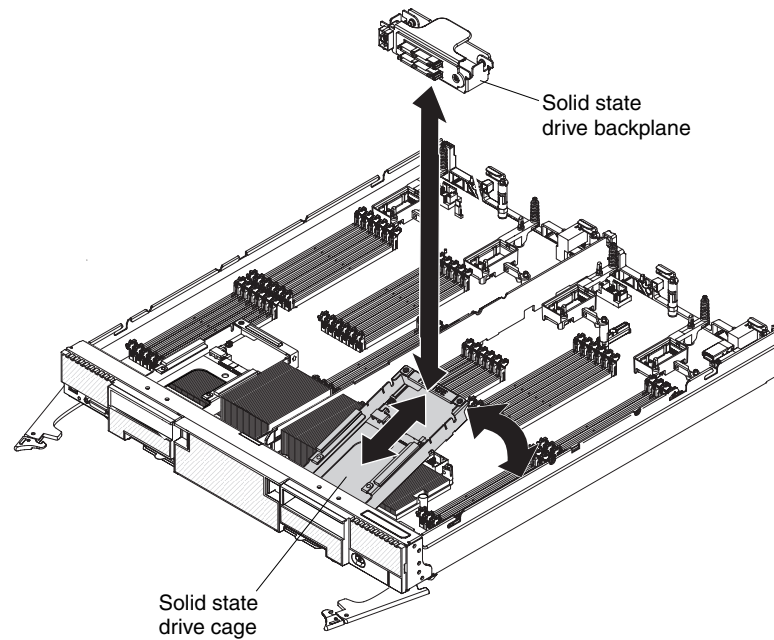
1. Read “Safety” on page v and “Installation guidelines” on page 699.
2. If the compute node is installed in an Flex System chassis, remove it (see “Removing a compute node from a chassis” on page 701 for instructions).
3. Carefully lay the compute node on a flat, static-protective surface, orienting the compute node with the bezel pointing toward you.

About this task

The solid state drive cage and backplane are available in the optional Flex System flash kit.

Procedure

To remove the solid state drive cage and backplane, complete the following steps.



1. Remove the cover (see “Removing the compute node cover” on page 715).
2. Remove the solid state drive bezel.
3. Remove the solid state drives (see “Removing a solid state drive” on page 750).
4. Pull the solid state drive backplane from the cage.
5. Remove the solid state drive mounting sleeve (see “Removing the solid state drive mounting sleeve” on page 755).
6. Lift up on the rear of the cage to disconnect it from the connector on the system board.
7. Remove the cage from the compute node at an angle.

What to do next

If you are instructed to return the solid state drive cage and backplane, follow all packaging instructions, and use any packaging materials for shipping that are supplied to you.

Installing the solid state drive cage and backplane

Use this information to install the solid state drive cage and backplane.

Before you begin

Before you install the solid state drive cage and backplane, complete the following steps:

1. Read “Safety” on page v and “Installation guidelines” on page 699.

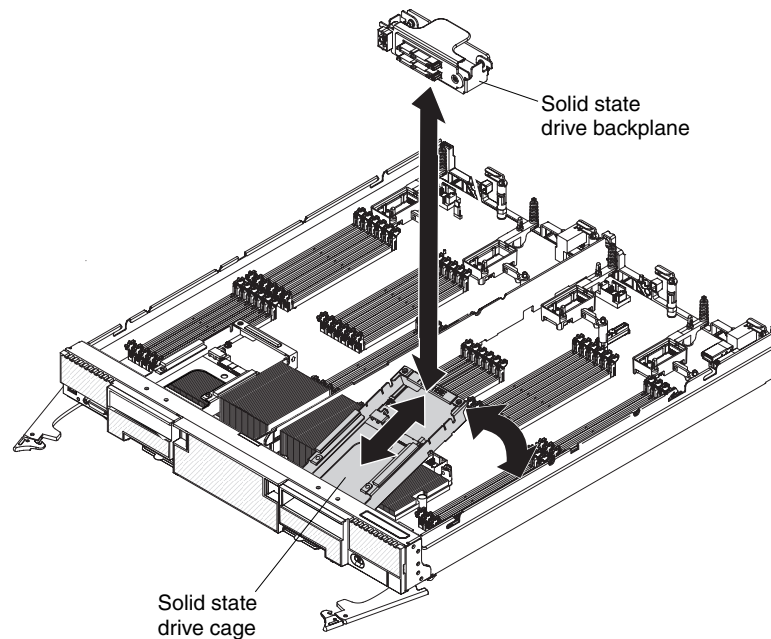
2. If the compute node is installed in an Flex System chassis, remove it (see “Removing a compute node from a chassis” on page 701 for instructions).
3. Carefully lay the compute node on a flat, static-protective surface, orienting the compute node with the bezel pointing toward you.

About this task

The solid state drive cage and backplane are available in the optional Flex System flash kit.

Procedure

To install the solid state drive cage and backplane, complete the following steps.



1. Remove the cover (see “Removing the compute node cover” on page 715).
2. Remove the solid state drive mounting sleeve (see “Removing the solid state drive mounting sleeve” on page 755).
3. Position the cage in the drive bay at an angle and rotate the cage into the connector on the system board and make sure it is firmly seated in the connector.
4. Press the solid state drive backplane into the solid state drive cage and make sure it is seated firmly in the connector.
5. Install the solid state drive mounting sleeve (see “Installing the solid state drive mounting sleeve” on page 755).
6. Install the solid state drives (see “Installing a solid state drive” on page 751).
7. Install the solid state drive bezel.

What to do next

After you install the solid state drive cage and backplane, complete the following steps:

1. Install the cover onto the compute node (see “Installing the compute node cover” on page 716 for instructions).

2. Install the compute node into the chassis (see “Installing a compute node in a chassis” on page 702 for instructions).

Removing the solid state drive mounting sleeve

Use this information to remove the solid state drive (SSD) mounting sleeve.

Before you begin

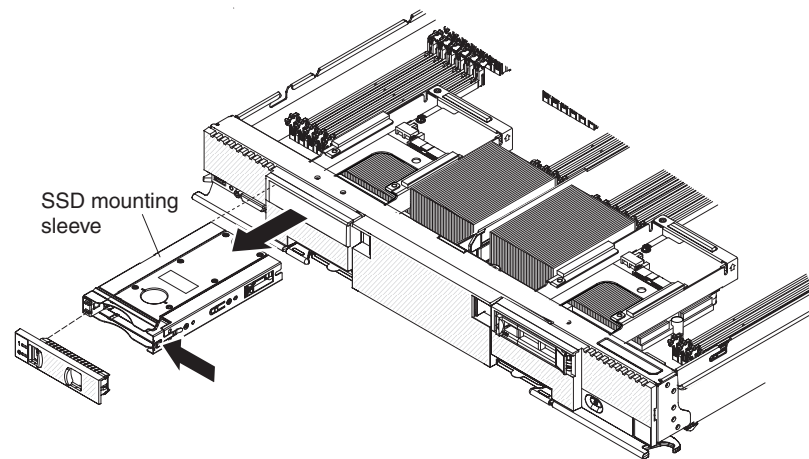
Before you remove the SSD mounting sleeve, read “Safety” on page v and “Installation guidelines” on page 699.

About this task

The SSD mounting sleeve is available in the optional Flex System flash kit.

Procedure

To remove the solid state drive (SSD) mounting insert, complete the following steps:



1. Remove the solid state drive bezel.
2. Remove the solid state drives (see “Removing a solid state drive” on page 750).
3. Gently pry open the release latch on the right side of the SSD mounting sleeve.
4. Slide the SSD mounting sleeve out of the compute node.

What to do next

If you are instructed to return the SSD mounting sleeve, follow all packaging instructions, and use any packaging materials for shipping that are supplied to you.

Installing the solid state drive mounting sleeve

Use this information to install the solid state drive (SSD) mounting sleeve.

Before you begin

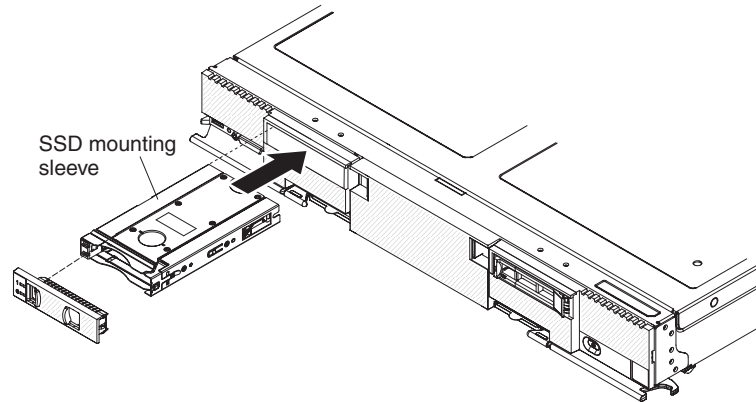
Before you install the SSD mounting sleeve, read “Safety” on page v and “Installation guidelines” on page 699.

About this task

The SSD mounting sleeve is available in the optional Flex System flash kit.

Procedure

To install the solid state drive (SSD) mounting sleeve, complete the following steps.



1. If necessary, remove the SSD bezel.
2. Slide the SSD mounting sleeve in the compute node until the release latch snaps to secure the sleeve.
3. Replace the SSDs in the SSD mounting sleeve (see “Installing a solid state drive” on page 751).
4. Replace the SSD bezel.

Removing the USB flash drive

Use this information to remove the USB flash drive.

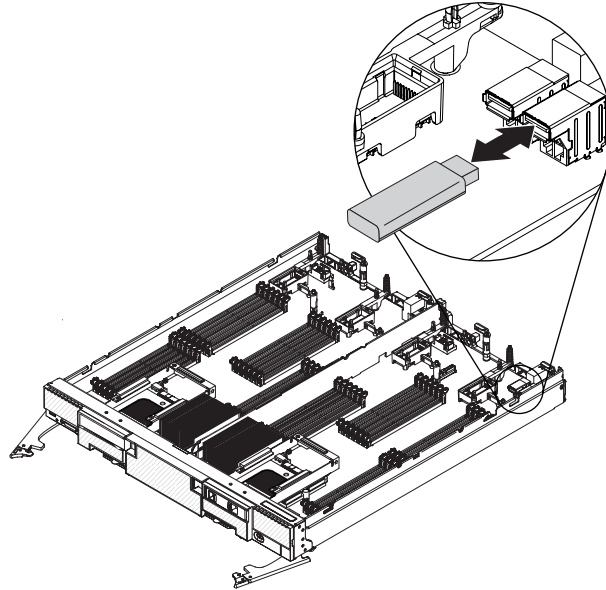
Before you begin

Before you remove the USB flash drive, complete the following steps:

1. Read “Safety” on page v and “Installation guidelines” on page 699.
2. If the compute node is installed in an Flex System chassis, remove it (see “Removing a compute node from a chassis” on page 701 for instructions).
3. Carefully lay the compute node on a flat, static-protective surface, orienting the compute node with the bezel pointing away from you.

Procedure

To remove the USB flash drive, complete the following steps.



1. Remove the cover (see “Removing the compute node cover” on page 715).
2. Locate the USB connectors on the system board.

Note: You might have to remove an I/O expansion adapter to remove the USB flash drive.

3. Pull the USB flash drive out of the connector.

What to do next

If you are instructed to return the USB flash drive, follow all packaging instructions, and use any packaging materials for shipping that are supplied to you.

Installing the USB flash drive

Use this information to install the USB flash drive.

Before you begin

Before you install the USB flash drive, complete the following steps:

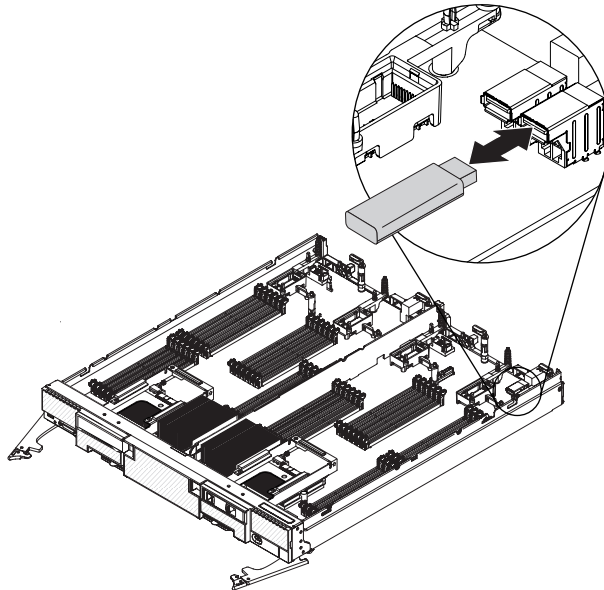
1. Read “Safety” on page v and “Installation guidelines” on page 699.
2. If the compute node is installed in an Flex System chassis, remove it (see “Removing a compute node from a chassis” on page 701 for instructions).
3. Carefully lay the compute node on a flat, static-protective surface, orienting the compute node with the bezel pointing toward you.

About this task

This component can be installed as an optional device or as a CRU. The installation procedure is the same for the optional device and the CRU.

Procedure

To install the USB flash drive, complete the following steps.



1. Remove the cover (see “Removing the compute node cover” on page 715).
2. Locate the USB connectors on the system board.

Note: You might have to remove an I/O expansion adapter to remove the USB flash drive.

3. Push the USB flash drive into the connector.

What to do next

After you install the USB flash drive, complete the following steps:

1. Install the cover onto the compute node (see “Installing the compute node cover” on page 716 for instructions).
2. Install the compute node into the chassis (see “Installing a compute node in a chassis” on page 702 for instructions).

Removing and replacing FRUs (trained service technician only)

Use this information to remove and replace field replaceable units (FRUs).

About this task

The FRUs that are described in this section must be installed only by trained service technicians.

Removing a microprocessor and heat sink

Use this information to remove a microprocessor and heat sink.

Before you begin

Note: This procedure should be performed only by trained service technicians.

Before you remove the microprocessor and heat sink, complete the following steps:

1. Read “Safety” on page v and “Installation guidelines” on page 699.
2. If the compute node is installed in an Flex System chassis, remove it (see “Removing a compute node from a chassis” on page 701 for instructions).
3. Carefully lay the compute node on a flat, static-protective surface, orienting the compute node with the bezel pointing toward you.

About this task

The following notes describe information that you must consider when you remove a microprocessor:

- Each microprocessor socket must always contain a microprocessor and heat sink.
- The microprocessor installation tool might become worn after several uses. Make sure that the tool can hold the microprocessor securely if you are reusing an existing microprocessor installation tool. Do not return the tool with other parts that you are returning.
- If you are replacing a defective microprocessor, you must obtain the following items for use during the replacement procedure (see Chapter 5, “Parts listing, Types 7903 and 4259,” on page 59):
 - Alcohol wipes
 - Thermal grease
- If you are replacing a defective microprocessor, the CRU kit comes with one installation tool with the replacement microprocessor installed on it and a cover over the microprocessor, and one empty installation tool without a cover.
- The microprocessor installation tool has the microprocessor installed on the tool, and may have a protective cover over the microprocessor. Do not use the tool, or remove the cover until you are instructed to do so.

Note: Be sure to use the installation tool that comes with your microprocessor installation tool assembly.

Procedure

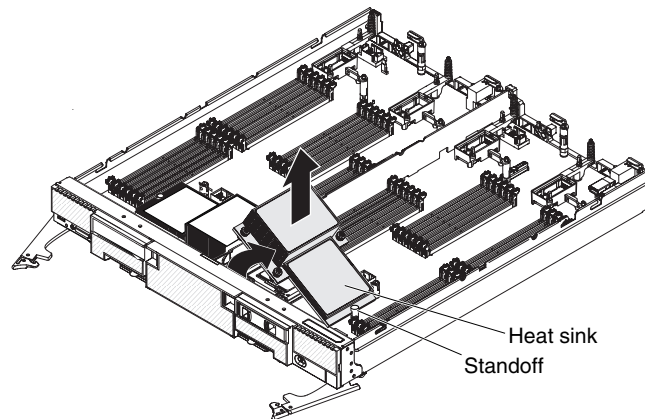
To remove a microprocessor and heat sink, complete the following steps:

1. Remove the cover (see “Removing the compute node cover” on page 715).
2. Locate the microprocessor that is to be removed (see “System-board connectors” on page 17).
3. Remove the solid state drives (see “Removing a solid state drive” on page 750).
4. Remove the solid state drive mounting sleeve (see “Removing the solid state drive mounting sleeve” on page 755).
5. Remove the solid state drive cage and backplane (see “Removing the solid state drive cage and backplane” on page 752).
6. Remove the hot-swap hard disk drives and hard disk drive bay fillers (see “Removing a hot-swap hard disk drive” on page 739).
7. Remove the hard disk drive cage and backplane assembly (see “Removing the hard disk drive cage and backplane assembly” on page 737).
8. Remove the heat sink.

Attention: Do not touch the thermal material on the bottom of the heat sink. Touching the thermal material will contaminate it.

- a. Use a screwdriver to loosen the screw on one side of the heat sink to break the seal with the microprocessor.

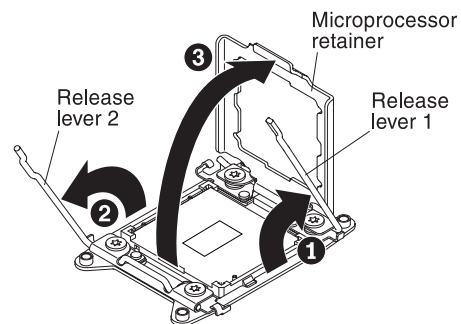
- b. Use a screwdriver to loosen the screws on the heat sink, rotating each screw two full turns until each screw is loose.



- c. Gently pull the heat sink from the microprocessor and pivot the heat sink from the standoff.

Attention: Do not use any tools or sharp objects to lift the release levers on the microprocessor socket. Doing so might result in permanent damage to the system board.

9. Open the microprocessor socket release levers and retainer.



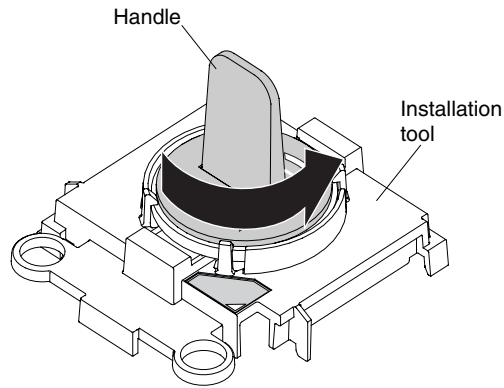
- a. Identify which release lever is labeled as the first release lever to open, and open it.
- b. Open the second release lever on the microprocessor socket.
- c. Open the microprocessor retainer.

Attention: Do not touch the connectors on the microprocessor and the microprocessor socket.

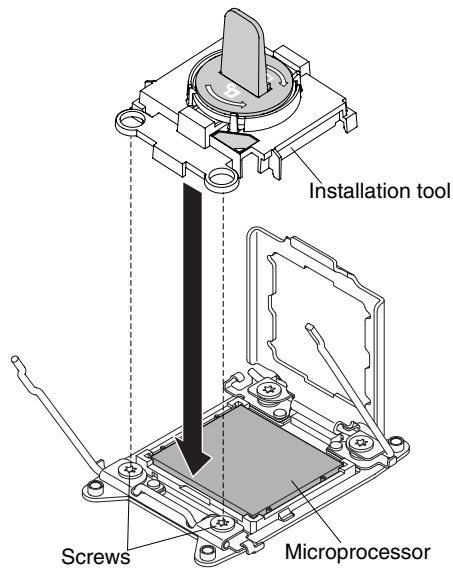
10. Remove the microprocessor from the socket:

Note: If you are replacing a microprocessor, use the empty installation tool that comes with the CRU kit to remove the microprocessor.

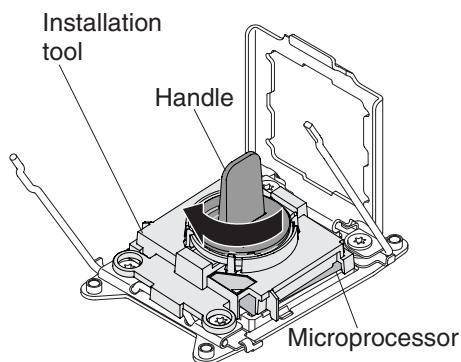
- a. Twist the handle on the microprocessor tool counterclockwise so that it is in the open position.



- b. Align the installation tool with the screws on the microprocessor socket, and lower the tool on the microprocessor. The installation tool rests flush on the socket only if it is aligned correctly.



- c. Twist the handle on the installation tool clockwise and lift the microprocessor out of the socket.



What to do next

If you are instructed to return the microprocessor and heat sink, follow all packaging instructions, and use any packaging materials for shipping that are supplied to you.

Installing a microprocessor and heat sink

Use this information to install a microprocessor and heat sink.

Before you begin

Note: This procedure should be performed only by trained service technicians.

Before you install a microprocessor and heat sink, complete the following steps:

1. Read “Safety” on page v and “Installation guidelines” on page 699.
2. If the compute node is installed in an Flex System chassis, remove it (see “Removing a compute node from a chassis” on page 701 for instructions).
3. Carefully lay the compute node on a flat, static-protective surface, orienting the compute node with the bezel pointing toward you.

About this task

The following notes describe the type of microprocessor that the compute node supports and other information that you must consider when you install a microprocessor:

- Each microprocessor socket must always contain a microprocessor and heat sink.
- If you are replacing a defective microprocessor, make sure that the microprocessors are identical.
- Before you replace microprocessor, download and install the most current level of UEFI code (see “Updating firmware and device drivers” on page 25).
- The microprocessor installation tool might become worn after several uses. Make sure that the tool can hold the microprocessor securely if you are reusing an existing microprocessor installation tool. Do not return the tool with other parts that you are returning.
- If you are replacing a defective microprocessor, you must obtain the following items for use during the replacement procedure (see Chapter 5, “Parts listing, Types 7903 and 4259,” on page 59):
 - Alcohol wipes
 - Thermal grease
- If you are replacing a defective microprocessor, the CRU kit comes with one installation tool with the replacement microprocessor installed on it and a cover over the microprocessor, and one empty installation tool without a cover.
- The microprocessor installation tool has the microprocessor installed on the tool, and may have a protective cover over the microprocessor. Do not use the tool, or remove the cover until you are instructed to do so.

Note: Be sure to use the installation tool that comes with your microprocessor installation tool assembly.

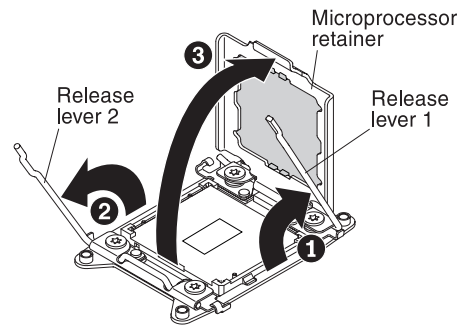
Attention:

1. Do not use any tools or sharp objects to lift the locking levers on the microprocessor socket. Doing so might result in permanent damage to the system board.
2. Do not touch the contacts in the microprocessor socket. Touching these contacts might result in permanent damage to the system board.

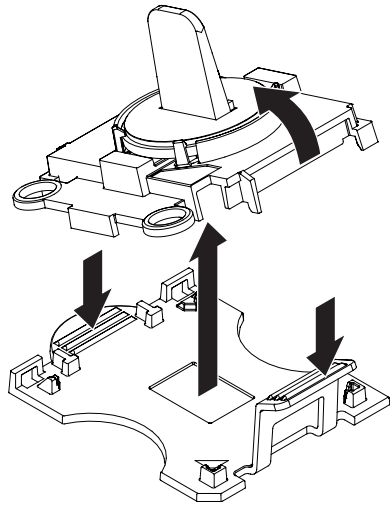
Procedure

To install a microprocessor and heat sink, complete the following steps:

1. Remove the cover (see “Removing the compute node cover” on page 715).
2. Remove the solid state drives (see “Removing a solid state drive” on page 750).
3. Remove the solid state drive mounting sleeve (see “Removing the solid state drive mounting sleeve” on page 755).
4. Remove the solid state drive cage and backplane (see “Removing the solid state drive cage and backplane” on page 752).
5. Remove the hot-swap hard disk drives and hard disk drive bay fillers (see “Removing a hot-swap hard disk drive” on page 739).
6. Remove the hard disk drive cage and backplane assembly (see “Removing the hard disk drive cage and backplane assembly” on page 737).
7. If you are not installing a new microprocessor and a new heat sink, remove the thermal grease from the heat sink and microprocessor; then, apply new thermal grease before installation (see “Thermal grease” on page 766).
8. Open the microprocessor socket release levers and retainer.

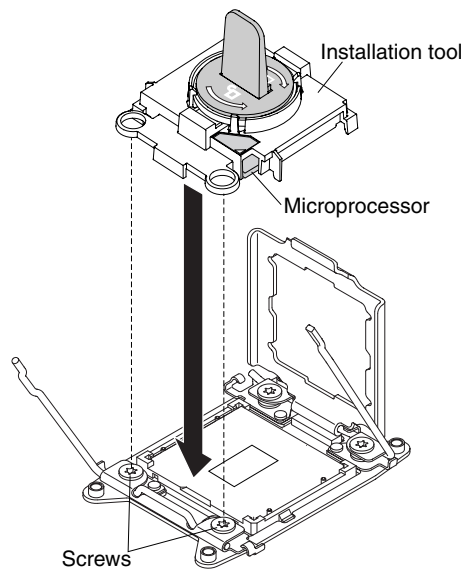


- a. Identify which release lever is labeled as the first release lever to open and open it.
 - b. Open the second release lever on the microprocessor socket.
 - c. Open the microprocessor retainer.
9. Install the microprocessor in the microprocessor socket.
 - a. Open the packaging that contains the new microprocessor installation tool assembly and carefully remove the installation tool assembly from the package.



Note: Do not touch the microprocessor contacts. Contaminants on the microprocessor contacts, such as oil from your skin, can cause connection failures between the contacts and the socket.

- b. Remove the microprocessor protective cover if one is present.
- c. Align the installation tool with the microprocessor socket. The installation tool rests flush on the socket only if it is properly aligned.

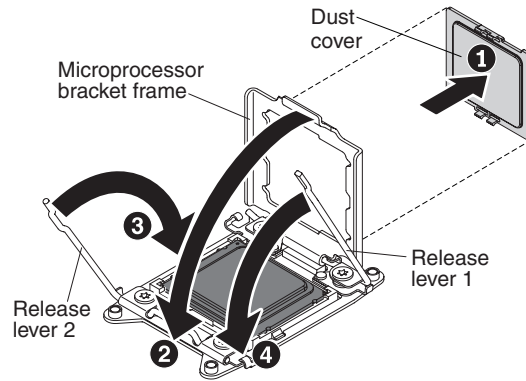


- d. Twist the handle on the microprocessor tool counterclockwise to insert the microprocessor into the socket. The microprocessor is keyed to ensure that the microprocessor is installed correctly.

Attention:

- Do not press the microprocessor into the socket.
- Make sure that the microprocessor is oriented and aligned correctly in the socket before you try to close the microprocessor retainer.
- Do not touch the thermal material on the bottom of the heat sink or on top of the microprocessor. Touching the thermal material will contaminate it.

10. Close the microprocessor retainer and release levers in the order that is shown.

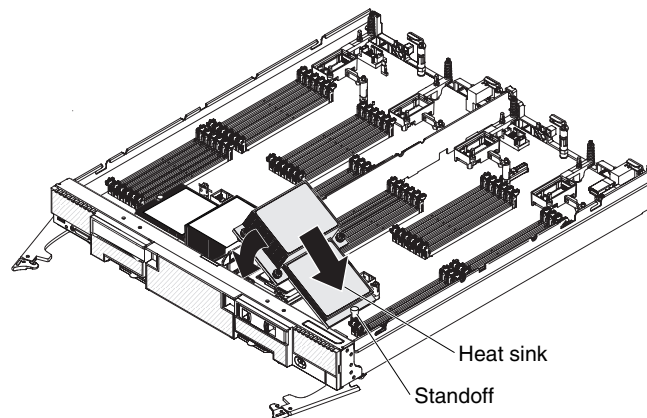


- a. Remove the microprocessor dust cover.
- b. Close the microprocessor retainer on the microprocessor socket.
- c. Identify which release lever is labeled as the first release lever to close, and close it.
- d. Close the second release lever on the microprocessor socket.

Attention:

- If you are installing a new heat sink, do not set down the heat sink after you remove the plastic cover.
- Do not touch the thermal grease on the bottom of the heat sink. Touching the thermal grease will contaminate it.

11. If you are installing a new heat sink, remove the plastic protective cover from the bottom of the heat sink. If you are reinstalling a heat sink that you previously removed from the compute node, make sure that the thermal grease is still on the bottom of the heat sink and on the top of the microprocessor.



- a. Position the notched side of the heat sink in the standoff and align the heat sink over the microprocessor. The heat sink is keyed to assist with proper alignment.
- b. Align and place the heat sink on top of the microprocessor in the retention bracket, thermal grease side down.
- c. Align the screws on the heat sink with the holes on the heat-sink retention module.
- d. Press firmly on the heat sink.
- e. Press firmly on the captive screws and tighten them with a screwdriver, alternating between the screws in a figure-8 pattern, turn each screw one full rotation. You can cause damage to the microprocessor if you tighten

the screws on one side first, rather than alternating sides. Each screw should then be tightened two more full rotations. Do not overtighten the screws with excessive force.

12. Install the solid state drive mounting sleeve and solid state drive cage and backplane (“Installing the solid state drive mounting sleeve” on page 755 and “Installing the solid state drive cage and backplane” on page 753).
13. Install the solid state drives (see “Installing a solid state drive” on page 751).
14. Install the hard disk drive cage and backplane assembly (see “Installing the hard disk drive cage and backplane assembly” on page 738)
15. Install the hot-swap hard disk drives and hard disk drive bay fillers (see “Installing a hot-swap hard disk drive” on page 740).

What to do next

After you install a microprocessor and heat sink, complete the following steps:

1. Install the cover (see “Installing the compute node cover” on page 716).
2. Install the compute node in a Flex System chassis (see “Installing a compute node in a chassis” on page 702 for instructions).

Thermal grease

Use this information to determine the guidelines for using thermal grease on a heat sink and microprocessor.

About this task

Note: This procedure should be performed only by trained service technicians.

The thermal grease must be replaced whenever the heat sink has been removed from the top of the microprocessor and is going to be reused or when debris is found in the grease.

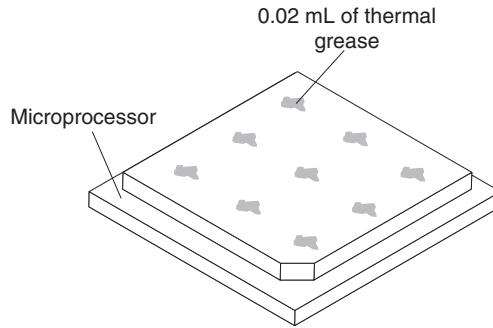
To replace damaged or contaminated thermal grease on the microprocessor and heat sink, complete the following steps:

Procedure

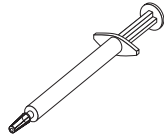
1. Place the heat-sink assembly on a clean work surface.
2. Remove the cleaning pad from the package and unfold it completely.
3. Use the cleaning pad to wipe the thermal grease from the bottom of the heat sink.

Note: Make sure that all of the thermal grease is removed.

4. Use a clean area of the cleaning pad to wipe the thermal grease from the microprocessor; then, dispose of the cleaning pad after all of the thermal grease is removed.



- Use the thermal-grease syringe to place nine uniformly spaced dots of 0.02 mL each on the top of the microprocessor.



Note: 0.01mL is one tick mark on the syringe. If the grease is properly applied, approximately half (0.22 mL) of the grease will remain in the syringe.

- Continue with the microprocessor installation instructions in “Installing a microprocessor and heat sink” on page 762.

Removing the system-board components for base-assembly replacement

Use this information to remove the system-board components as part of the procedure to replace the base assembly.

Before you begin

Notes:

- This procedure should be performed only by trained service technicians.
- The base assembly includes the chassis and system board.

Before you remove the system-board components, complete the following steps:

- Read “Safety” on page v and “Installation guidelines” on page 699.
- If the compute node is installed in an Flex System chassis, remove it (see “Removing a compute node from a chassis” on page 701 for instructions).
- Carefully lay the compute node on a flat, static-protective surface, orienting the compute node with the bezel pointing toward you.
- Obtain the following items for use during the replacement procedure (see Chapter 5, “Parts listing, Types 7903 and 4259,” on page 59):
 - Alcohol wipes
 - Thermal grease
 - RFID tag (required only if the compute node came with a RFID tag attached to the bezel)

About this task

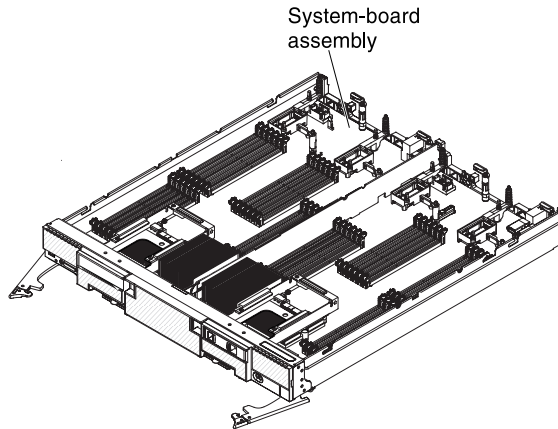
Important: When you replace the base assembly, you must update the compute node with the latest firmware or restore the preexisting firmware. Make sure that

you have the latest firmware or a copy of the preexisting firmware before you proceed. See “Updating firmware and device drivers” on page 25 for more information.

See “System-board layouts” on page 17 for more information about the locations of the connectors, jumpers, and LEDs on the system board.

Procedure

To remove the components from the system-board assembly, complete the following steps:



1. Remove the cover (see “Removing the compute node cover” on page 715).
2. Remove all of the installed components in the following list from the system-board assembly; then, place them on a static-protective surface or install them on the new system-board assembly.
 - Center partition (see “Removing the center partition” on page 708).
 - Fabric connectors (see “Removing a fabric connector” on page 728).
 - Flash DIMMs (see “Removing a flash DIMM” on page 730).
 - DIMMs and air baffles (see “Removing a DIMM” on page 717).
 - Hard disk drive cage and backplane assemblies (see “Removing the hard disk drive cage and backplane assembly” on page 737).
 - Hard disk drives and hard disk drive bay fillers (see “Removing a hot-swap hard disk drive” on page 739).
 - I/O expansion adapters (see “Removing an I/O expansion adapter” on page 741).
 - Microprocessors and heat sinks. Use the microprocessor installation tool that comes with the CRU kit to remove each microprocessor from the system-board assembly and install each one immediately in the new system-board assembly (see “Removing a microprocessor and heat sink” on page 758 and “Installing a microprocessor and heat sink” on page 762).
 - Solid state drives (see “Removing a solid state drive” on page 750).
 - Solid state drive cage and backplane (see “Removing the solid state drive cage and backplane” on page 752).
 - Solid state drive mounting sleeves (see “Removing the solid state drive mounting sleeve” on page 755
 - USB flash drives (see “Removing the USB flash drive” on page 756).
3. Remove the left- and right-bezels (see “Removing the bezel” on page 707).

What to do next

If you are instructed to return the base assembly, follow all packaging instructions, and use any packaging materials for shipping that are supplied to you.

Installing the system-board components for base-assembly replacement

Use this information to install the system-board components as part of the procedure to replace the base assembly.

Before you begin

1. This procedure should be performed only by trained service technicians.
2. The base assembly includes the chassis and system board.

Before you install the system-board components, complete the following steps:

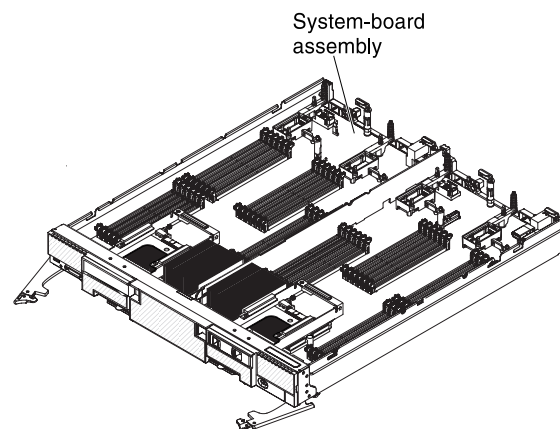
1. Read “Safety” on page v and “Installation guidelines” on page 699.
2. If the compute node is installed in an Flex System chassis, remove it (see “Removing a compute node from a chassis” on page 701 for instructions).
3. Carefully lay the compute node on a flat, static-protective surface, orienting the compute node with the bezel pointing toward you.
4. Obtain the following items for use during the replacement procedure (see Chapter 5, “Parts listing, Types 7903 and 4259,” on page 59):
 - Alcohol wipes
 - Bezel
 - Thermal grease

About this task

Important: When you replace the base assembly, you must update the compute node with the latest firmware or restore the preexisting firmware. Make sure that you have the latest firmware or a copy of the preexisting firmware before you proceed. See “Updating firmware and device drivers” on page 25 for more information.


Procedure

To install the components on the system-board assembly, complete the following steps.

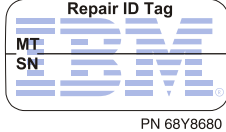


1. Install all of the components in the following list that you removed from the old system board onto the new system board.
 - Center partition (see “Installing the center partition” on page 709).
 - Fabric connectors (see “Installing a fabric connector” on page 729).
 - Flash DIMMs, (see “Installing a flash DIMM” on page 730).
 - DIMMs and air baffles (see “Installing a DIMM” on page 719).
 - Hard disk drives and hard disk drive fillers (see “Installing a hot-swap hard disk drive” on page 740).
 - Hard disk drive cage and backplane assemblies (see “Installing the hard disk drive cage and backplane assembly” on page 738).
 - I/O expansion adapters (see “Installing an I/O expansion adapter” on page 742).
 - Microprocessors and heat sinks. Use the microprocessor installation tool that comes with the CRU kit to remove each microprocessor from the system board and install each one immediately in the new system board (see “Removing a microprocessor and heat sink” on page 758 and “Installing a microprocessor and heat sink” on page 762).
 - Solid state drives (see “Installing a solid state drive” on page 751).
 - Solid state drive cage and backplane (see “Installing the solid state drive cage and backplane” on page 753).
 - Solid state drive mounting sleeves (see “Installing the solid state drive mounting sleeve” on page 755).
 - USB flash drives (see “Installing the USB flash drive” on page 757).
2. Install the left- and right-bezels “Installing the bezel” on page 707).


IBM REPAIR IDENTIFICATION TAG



RID Tag 3



RID Tag 1



RID Tag 2

INSTRUCTIONS

1. Verify that the serial number of the failing Customer Replaceable Unit (CRU) / Field Replaceable Unit (FRU) matches the serial number reported to IBM dispatch.
2. Copy the machine type and serial number from the failing CRU/FRU identification label to the RID tag for the replacement CRU/FRU. This number must agree with the machine type and serial number provided to IBM dispatch. If a prior Repair Identification (RID) tag is present on the failing CRU/FRU, do not try to remove and reuse the RID tag on the replacement CRU/FRU. Transfer the machine type and serial number from the failing CRU/FRU RID tag to the RID tag for the replacement CRU/FRU.

DO NOT USE A FELT TIP PEN OR A PENCIL TO COMPLETE THE RID TAG.

3. Install RID tag 1 on labeling tab, RID tag 2 on bottom of computer node, and RID tag 3 on low right-hand corner of new bezel

Note:
Please follow the removal / replacement procedures in the user guide or hardware maintenance manual for the CRU/FRU being replaced.

3. The new system-board assembly comes with an IBM Repair Identification (RID) tag. Using a ball point pen, transfer the machine type and serial number from the old system-board assembly to the two labels on the IBM Repair Identification tag; then, place Tag 1 on the label tab (see “Installing a compute node in a chassis” on page 702) and Tag 2 on the bottom of the compute node. If you installed the new bezel on the new system-board assembly because the old bezel was damaged and did not transfer the Tag from the old bezel to the new bezel, install Tag 3 on the lower right corner of the new bezel. If you installed the old bezel on the new system-board assembly or transferred the Tag from the old bezel to the new bezel, discard Tag 3.

What to do next

After you install the components on the system board of the new base assembly, complete the following steps:

1. Install the cover onto the compute node (see “Installing the compute node cover” on page 716 for instructions).
2. Install the compute node into the chassis (see “Installing a compute node in a chassis” on page 702 for instructions).
3. Update the Universal Unique Identifier (UUID). Use the Advanced Settings Utility to update the UUID in the UEFI-based compute node (see “Updating the Universally Unique Identifier and DMI/SMBIOS data” on page 37).
4. Update the compute node with the latest firmware or restore the preexisting firmware that the customer provides (see “Updating firmware and device drivers” on page 25 for more information).

Appendix. Getting help and technical assistance

If you need help, service, or technical assistance or just want more information about Lenovo products, you will find a wide variety of sources available from Lenovo to assist you.

Use this information to obtain additional information about Lenovo and Lenovo products, and determine what to do if you experience a problem with your Lenovo system or optional device.

Note: This section includes references to IBM web sites and information about obtaining service. IBM is Lenovo's preferred service provider for the System x, Flex System, and NeXtScale System products.

Before you call

Before you call, make sure that you have taken these steps to try to solve the problem yourself.

If you believe that you require warranty service for your Lenovo product, the service technicians will be able to assist you more efficiently if you prepare before you call.

- Check all cables to make sure that they are connected.
- Check the power switches to make sure that the system and any optional devices are turned on.
- Check for updated software, firmware, and operating-system device drivers for your Lenovo product. The Lenovo Warranty terms and conditions state that you, the owner of the Lenovo product, are responsible for maintaining and updating all software and firmware for the product (unless it is covered by an additional maintenance contract). Your service technician will request that you upgrade your software and firmware if the problem has a documented solution within a software upgrade.
- If you have installed new hardware or software in your environment, check <http://www.ibm.com/systems/info/x86servers/serverproven/compat/us> to make sure that the hardware and software is supported by your product.
- Go to <http://www.ibm.com/supportportal> to check for information to help you solve the problem.
- Gather the following information to provide to the service technician. This data will help the service technician quickly provide a solution to your problem and ensure that you receive the level of service for which you might have contracted.
 - Hardware and Software Maintenance agreement contract numbers, if applicable
 - Machine type number (Lenovo 4-digit machine identifier)
 - Model number
 - Serial number
 - Current system UEFI and firmware levels
 - Other pertinent information such as error messages and logs
- Go to http://www.ibm.com/support/entry/portal/Open_service_request to submit an Electronic Service Request. Submitting an Electronic Service Request

will start the process of determining a solution to your problem by making the pertinent information available to the service technicians. The IBM service technicians can start working on your solution as soon as you have completed and submitted an Electronic Service Request.

You can solve many problems without outside assistance by following the troubleshooting procedures that Lenovo provides in the online help or in the Lenovo product documentation. The Lenovo product documentation also describes the diagnostic tests that you can perform. The documentation for most systems, operating systems, and programs contains troubleshooting procedures and explanations of error messages and error codes. If you suspect a software problem, see the documentation for the operating system or program.

Using the documentation

Information about your Lenovo system and preinstalled software, if any, or optional device is available in the product documentation. That documentation can include printed documents, online documents, readme files, and help files.

See the troubleshooting information in your system documentation for instructions for using the diagnostic programs. The troubleshooting information or the diagnostic programs might tell you that you need additional or updated device drivers or other software. Lenovo maintains pages on the World Wide Web where you can get the latest technical information and download device drivers and updates. To access these pages, go to <http://www.ibm.com/supportportal>.

Getting help and information from the World Wide Web

Up-to-date information about Lenovo products and support is available on the World Wide Web.

On the World Wide Web, up-to-date information about Lenovo systems, optional devices, services, and support is available at <http://www.ibm.com/supportportal>. The most current version of the product documentation is available in the following product-specific Information Centers:

Flex System products:

<http://pic.dhe.ibm.com/infocenter/flexsys/information/index.jsp>

System x products:

<http://www.ibm.com/systems/x>

NeXtScale System products:

How to send DSA data

You can use the Enhanced Customer Data Repository to send diagnostic data to IBM.

Before you send diagnostic data to IBM, read the terms of use at <http://www.ibm.com/de/support/ecurep/terms.html>.

You can use any of the following methods to send diagnostic data:

- **Standard upload:** http://www.ibm.com/de/support/ecurep/send_http.html
- **Standard upload with the system serial number:** http://www.ecurep.ibm.com/app/upload_hw

- **Secure upload:** http://www.ibm.com/de/support/ecurep/send_http.html#secure
- **Secure upload with the system serial number:** https://www.ecurep.ibm.com/app/upload_hw

Creating a personalized support web page

You can create a personalized support web page by identifying Lenovo products that are of interest to you.

To create a personalized support web page, go to <http://www.ibm.com/support/mynotifications>. From this personalized page, you can subscribe to weekly email notifications about new technical documents, search for information and downloads, and access various administrative services.

Software service and support

Through IBM Support Line, you can get telephone assistance, for a fee, with usage, configuration, and software problems with your Lenovo products.

For more information about Support Line and other IBM services, see <http://www.ibm.com/services> or see <http://www.ibm.com/planetwide> for support telephone numbers. In the U.S. and Canada, call 1-800-IBM-SERV (1-800-426-7378).

Hardware service and support

IBM is Lenovo's preferred service provider for the System x, Flex System and NeXtScale System products.

You can receive hardware service through your Lenovo reseller or from IBM. To locate a reseller authorized by Lenovo to provide warranty service, go to <http://www.ibm.com/partnerworld> and click **Business Partner Locator**. For IBM support telephone numbers, see <http://www.ibm.com/planetwide>. In the U.S. and Canada, call 1-800-IBM-SERV (1-800-426-7378).

In the U.S. and Canada, hardware service and support is available 24 hours a day, 7 days a week. In the U.K., these services are available Monday through Friday, from 9 a.m. to 6 p.m.

Taiwan product service

Use this information to contact IBM Taiwan product service.

台灣 IBM 產品服務聯絡方式：
台灣國際商業機器股份有限公司
台北市松仁路7號3樓
電話：0800-016-888

IBM Taiwan product service contact information:

IBM Taiwan Corporation
3F, No 7, Song Ren Rd.
Taipei, Taiwan
Telephone: 0800-016-888

Notices

Lenovo may not offer the products, services, or features discussed in this document in all countries. Consult your local Lenovo representative for information on the products and services currently available in your area.

Any reference to a Lenovo product, program, or service is not intended to state or imply that only that Lenovo product, program, or service may be used. Any functionally equivalent product, program, or service that does not infringe any Lenovo intellectual property right may be used instead. However, it is the user's responsibility to evaluate and verify the operation of any other product, program, or service.

Lenovo may have patents or pending patent applications covering subject matter described in this document. The furnishing of this document does not give you any license to these patents. You can send license inquiries, in writing, to:

*Lenovo (United States), Inc.
1009 Think Place - Building One
Morrisville, NC 27560
U.S.A.
Attention: Lenovo Director of Licensing*

LENOVO PROVIDES THIS PUBLICATION "AS IS" WITHOUT WARRANTY OF ANY KIND, EITHER EXPRESS OR IMPLIED, INCLUDING, BUT NOT LIMITED TO, THE IMPLIED WARRANTIES OF NON-INFRINGEMENT, MERCHANTABILITY OR FITNESS FOR A PARTICULAR PURPOSE. Some jurisdictions do not allow disclaimer of express or implied warranties in certain transactions, therefore, this statement may not apply to you.

This information could include technical inaccuracies or typographical errors. Changes are periodically made to the information herein; these changes will be incorporated in new editions of the publication. Lenovo may make improvements and/or changes in the product(s) and/or the program(s) described in this publication at any time without notice.

The products described in this document are not intended for use in implantation or other life support applications where malfunction may result in injury or death to persons. The information contained in this document does not affect or change Lenovo product specifications or warranties. Nothing in this document shall operate as an express or implied license or indemnity under the intellectual property rights of Lenovo or third parties. All information contained in this document was obtained in specific environments and is presented as an illustration. The result obtained in other operating environments may vary.

Lenovo may use or distribute any of the information you supply in any way it believes appropriate without incurring any obligation to you.

Any references in this publication to non-Lenovo Web sites are provided for convenience only and do not in any manner serve as an endorsement of those Web sites. The materials at those Web sites are not part of the materials for this Lenovo product, and use of those Web sites is at your own risk.

Any performance data contained herein was determined in a controlled environment. Therefore, the result obtained in other operating environments may vary significantly. Some measurements may have been made on development-level systems and there is no guarantee that these measurements will be the same on generally available systems. Furthermore, some measurements may have been estimated through extrapolation. Actual results may vary. Users of this document should verify the applicable data for their specific environment.

Trademarks

Lenovo, the Lenovo logo, Flex System, System x, NeXtScale System, and x Architecture are trademarks of Lenovo in the United States, other countries, or both.

Intel and Intel Xeon are trademarks of Intel Corporation in the United States, other countries, or both.

Internet Explorer, Microsoft, and Windows are trademarks of the Microsoft group of companies.

Linux is a registered trademark of Linus Torvalds.

Other company, product, or service names may be trademarks or service marks of others.

Important notes

Processor speed indicates the internal clock speed of the microprocessor; other factors also affect application performance.

CD or DVD drive speed is the variable read rate. Actual speeds vary and are often less than the possible maximum.

When referring to processor storage, real and virtual storage, or channel volume, KB stands for 1 024 bytes, MB stands for 1 048 576 bytes, and GB stands for 1 073 741 824 bytes.

When referring to hard disk drive capacity or communications volume, MB stands for 1 000 000 bytes, and GB stands for 1 000 000 000 bytes. Total user-accessible capacity can vary depending on operating environments.

Maximum internal hard disk drive capacities assume the replacement of any standard hard disk drives and population of all hard-disk-drive bays with the largest currently supported drives that are available from Lenovo.

Maximum memory might require replacement of the standard memory with an optional memory module.

Each solid-state memory cell has an intrinsic, finite number of write cycles that the cell can incur. Therefore, a solid-state device has a maximum number of write cycles that it can be subjected to, expressed as total bytes written (TBW). A device that has exceeded this limit might fail to respond to system-generated commands or might be incapable of being written to. Lenovo is not responsible for replacement of a device that has exceeded its maximum guaranteed number of program/erase cycles, as documented in the Official Published Specifications for the device.

Lenovo makes no representations or warranties with respect to non-Lenovo products. Support (if any) for the non-Lenovo products is provided by the third party, not Lenovo.

Some software might differ from its retail version (if available) and might not include user manuals or all program functionality.

Recycling information

Lenovo encourages owners of information technology (IT) equipment to responsibly recycle their equipment when it is no longer needed. Lenovo offers a variety of programs and services to assist equipment owners in recycling their IT products. For information on recycling Lenovo products, go to:

Particulate contamination

Attention: Airborne particulates (including metal flakes or particles) and reactive gases acting alone or in combination with other environmental factors such as humidity or temperature might pose a risk to the device that is described in this document.

Risks that are posed by the presence of excessive particulate levels or concentrations of harmful gases include damage that might cause the device to malfunction or cease functioning altogether. This specification sets forth limits for particulates and gases that are intended to avoid such damage. The limits must not be viewed or used as definitive limits, because numerous other factors, such as temperature or moisture content of the air, can influence the impact of particulates or environmental corrosives and gaseous contaminant transfer. In the absence of specific limits that are set forth in this document, you must implement practices that maintain particulate and gas levels that are consistent with the protection of human health and safety. If Lenovo determines that the levels of particulates or gases in your environment have caused damage to the device, Lenovo may condition provision of repair or replacement of devices or parts on implementation of appropriate remedial measures to mitigate such environmental contamination. Implementation of such remedial measures is a customer responsibility.

Table 16. Limits for particulates and gases

Contaminant	Limits
Particulate	<ul style="list-style-type: none"> The room air must be continuously filtered with 40% atmospheric dust spot efficiency (MERV 9) according to ASHRAE Standard 52.2¹. Air that enters a data center must be filtered to 99.97% efficiency or greater, using high-efficiency particulate air (HEPA) filters that meet MIL-STD-282. The deliquescent relative humidity of the particulate contamination must be more than 60%². The room must be free of conductive contamination such as zinc whiskers.
Gaseous	<ul style="list-style-type: none"> Copper: Class G1 as per ANSI/ISA 71.04-1985³ Silver: Corrosion rate of less than 300 Å in 30 days

Table 16. Limits for particulates and gases (continued)

Contaminant	Limits
	<p>¹ ASHRAE 52.2-2008 - <i>Method of Testing General Ventilation Air-Cleaning Devices for Removal Efficiency by Particle Size</i>. Atlanta: American Society of Heating, Refrigerating and Air-Conditioning Engineers, Inc.</p> <p>² The deliquescent relative humidity of particulate contamination is the relative humidity at which the dust absorbs enough water to become wet and promote ionic conduction.</p> <p>³ ANSI/ISA-71.04-1985. <i>Environmental conditions for process measurement and control systems: Airborne contaminants</i>. Instrument Society of America, Research Triangle Park, North Carolina, U.S.A.</p>

Telecommunication regulatory statement

This product may not be certified in your country for connection by any means whatsoever to interfaces of public telecommunications networks. Further certification may be required by law prior to making any such connection. Contact a Lenovo representative or reseller for any questions.

Electronic emission notices

When you attach a monitor to the equipment, you must use the designated monitor cable and any interference suppression devices that are supplied with the monitor.

Federal Communications Commission (FCC) statement

Note: This equipment has been tested and found to comply with the limits for a Class A digital device, pursuant to Part 15 of the FCC Rules. These limits are designed to provide reasonable protection against harmful interference when the equipment is operated in a commercial environment. This equipment generates, uses, and can radiate radio frequency energy and, if not installed and used in accordance with the instruction manual, may cause harmful interference to radio communications. Operation of this equipment in a residential area is likely to cause harmful interference, in which case the user will be required to correct the interference at his own expense.

Properly shielded and grounded cables and connectors must be used in order to meet FCC emission limits. Lenovo is not responsible for any radio or television interference caused by using other than recommended cables and connectors or by unauthorized changes or modifications to this equipment. Unauthorized changes or modifications could void the user's authority to operate the equipment.

This device complies with Part 15 of the FCC Rules. Operation is subject to the following two conditions: (1) this device may not cause harmful interference, and (2) this device must accept any interference received, including interference that might cause undesired operation.

Industry Canada Class A emission compliance statement

This Class A digital apparatus complies with Canadian ICES-003.

Avis de conformité à la réglementation d'Industrie Canada

Cet appareil numérique de la classe A est conforme à la norme NMB-003 du Canada.

Australia and New Zealand Class A statement

Attention: This is a Class A product. In a domestic environment this product may cause radio interference in which case the user may be required to take adequate measures.

European Union EMC Directive conformance statement

This product is in conformity with the protection requirements of EU Council Directive 2004/108/EC on the approximation of the laws of the Member States relating to electromagnetic compatibility. Lenovo cannot accept responsibility for any failure to satisfy the protection requirements resulting from a non-recommended modification of the product, including the installation of option cards from other manufacturers.

This product has been tested and found to comply with the limits for Class A Information Technology Equipment according to European Standard EN 55022. The limits for Class A equipment were derived for commercial and industrial environments to provide reasonable protection against interference with licensed communication equipment.

Lenovo, Einsteinova 21, 851 01 Bratislava, Slovakia

Germany Class A statement

Deutschsprachiger EU Hinweis: Hinweis für Geräte der Klasse A EU-Richtlinie zur Elektromagnetischen Verträglichkeit

Deutschsprachiger EU Hinweis: Hinweis für Geräte der Klasse A EU-Richtlinie zur Elektromagnetischen Verträglichkeit Dieses Produkt entspricht den Schutzanforderungen der EU-Richtlinie 2004/108/EG (früher 89/336/EWG) zur Angleichung der Rechtsvorschriften über die elektromagnetische Verträglichkeit in den EU-Mitgliedsstaaten und hält die Grenzwerte der EN 55022 Klasse A ein.

Um dieses sicherzustellen, sind die Geräte wie in den Handbüchern beschrieben zu installieren und zu betreiben. Des Weiteren dürfen auch nur von der Lenovo empfohlene Kabel angeschlossen werden. Lenovo übernimmt keine Verantwortung für die Einhaltung der Schutzanforderungen, wenn das Produkt ohne Zustimmung der Lenovo verändert bzw. wenn Erweiterungskomponenten von Fremdherstellern ohne Empfehlung der Lenovo gesteckt/eingebaut werden.

Deutschland:

Einhaltung des Gesetzes über die elektromagnetische Verträglichkeit von Betriebsmitteln Dieses Produkt entspricht dem „Gesetz über die elektromagnetische Verträglichkeit von Betriebsmitteln“ EMVG (früher „Gesetz über die elektromagnetische Verträglichkeit von Geräten“). Dies ist die Umsetzung der EU-Richtlinie 2004/108/EG (früher 89/336/EWG) in der Bundesrepublik Deutschland.

Zulassungsbescheinigung laut dem Deutschen Gesetz über die elektromagnetische Verträglichkeit von Betriebsmitteln, EMVG vom 20. Juli 2007

(früher Gesetz über die elektromagnetische Verträglichkeit von Geräten), bzw. der EMV EG Richtlinie 2004/108/EC (früher 89/336/EWG), für Geräte der Klasse A.

Dieses Gerät ist berechtigt, in Übereinstimmung mit dem Deutschen EMVG das EG-Konformitätszeichen - CE - zu führen. Verantwortlich für die Konformitätserklärung nach Paragraph 5 des EMVG ist die Lenovo (Deutschland) GmbH, Gropiusplatz 10, D-70563 Stuttgart.

Informationen in Hinsicht EMVG Paragraph 4 Abs. (1) 4: **Das Gerät erfüllt die Schutzanforderungen nach EN 55024 und EN 55022 Klasse A.**

Nach der EN 55022: „Dies ist eine Einrichtung der Klasse A. Diese Einrichtung kann im Wohnbereich Funkstörungen verursachen; in diesem Fall kann vom Betreiber verlangt werden, angemessene Maßnahmen durchzuführen und dafür aufzukommen.“

Nach dem EMVG: „Geräte dürfen an Orten, für die sie nicht ausreichend entstört sind, nur mit besonderer Genehmigung des Bundesministers für Post und Telekommunikation oder des Bundesamtes für Post und Telekommunikation betrieben werden. Die Genehmigung wird erteilt, wenn keine elektromagnetischen Störungen zu erwarten sind.“ (Auszug aus dem EMVG, Paragraph 3, Abs. 4). Dieses Genehmigungsverfahren ist nach Paragraph 9 EMVG in Verbindung mit der entsprechenden Kostenverordnung (Amtsblatt 14/93) kostenpflichtig.

Anmerkung: Um die Einhaltung des EMVG sicherzustellen sind die Geräte, wie in den Handbüchern angegeben, zu installieren und zu betreiben.

Japan VCCI Class A statement

この装置は、クラス A 情報技術装置です。この装置を家庭環境で使用する
と電波妨害を引き起こすことがあります。この場合には使用者が適切な対策
を講ずるよう要求されることがあります。 VCCI-A

This is a Class A product based on the standard of the Voluntary Control Council for Interference (VCCI). If this equipment is used in a domestic environment, radio interference may occur, in which case the user may be required to take corrective actions.

Japan Electronics and Information Technology Industries Association (JEITA) statement

高調波ガイドライン準用品

Japan Electronics and Information Technology Industries Association (JEITA)
Confirmed Harmonics Guidelines with Modifications (products greater than 20 A
per phase)

Korea Communications Commission (KCC) statement

이 기기는 업무용(A급)으로 전자파적합기기로서 판매자 또는 사용자는 이 점을 주의하시기 바라며, 가정외의 지역에서 사용하는 것을 목적으로 합니다.

This is electromagnetic wave compatibility equipment for business (Type A). Sellers and users need to pay attention to it. This is for any areas other than home.

Russia Electromagnetic Interference (EMI) Class A statement

ВНИМАНИЕ! Настоящее изделие относится к классу А. В жилых помещениях оно может создавать радиопомехи, для снижения которых необходимы дополнительные меры

People's Republic of China Class A electronic emission statement

中华人民共和国“A类”警告声明

声明

此为A级产品，在生活环境中，该产品可能会造成无线电干扰。在这种情况下，可能需要用户对其干扰采取切实可行的措施。

Taiwan Class A compliance statement

警告使用者：
這是甲類的資訊產品，在居住的環境中使用時，可能會造成射頻干擾，在這種情況下，使用者會被要求採取某些適當的對策。

Index

Numerics

- 1.8-inch drive
 - installing 751
 - removing 750

A

- accessing the IMM2 49
- activity LED 11
- adapter-retention assembly
 - installing 706
 - removing 704
- adapters and UEFI drivers, Setup utility 29
- Advanced Settings Utility (ASU) 37
- array, RAID 751
- array, SAS 740
- assistance, getting 773
- Attention notice, meaning 4
- Australia Class A statement 781

B

- bezel
 - installing 708
 - removing 707
- boot manager, Setup utility 29
- Boot Selection Menu program 36
- button, power 11

C

- Canada Class A electronic emission statement 781
- Caution notice, meaning 4
- center partition
 - installing 709
 - removing 708
- chassis bulkhead
 - installing 711
 - removing 710
- chassis management module 7
- chassis, support for 1
- check log LED 11
- China Class A electronic emission statement 783
- Class A electronic emission notice 780
- CMOS battery 17
 - installing 713
 - removing 713
- collecting service data 697
- commands on USB interface preference, Setup utility 29
- components
 - compute node , removing and replacing 699
 - illustrated 10
 - returning 700
 - system board 17

- compute node
 - installing 702
 - parts list 59
 - removing 701
- compute node cover
 - installing 716
 - removing 715
- configuration
 - minimum 696
 - updating 701
- configuration summary, viewing 51
- configuring
 - compute node 28
 - LAN over USB manually 56
 - RAID array 40
- configuring a RAID array 40
- connectors, system board 17
- console breakout cable 15
- contamination, particulate and gaseous 779
- controller
 - Ethernet 7
 - memory 7
 - video 7
- cover
 - installing 716
 - removing 715
- creating a personalized support web page 775
- CRUs, Tier 1, removing and replacing 704
- custom support web page 775

D

- Danger notice, meaning 4
- device drivers, updating 25
- device, returning 700
- devices and I/O ports, Setup utility 29
- diagnostic tools 65
- dimensions, Flex System x280 X6, x480 X6, and x880 X6 Compute Node Types 7903 and 4259 5
- DIMM
 - installing 719
 - removing 717
 - specifications 5
- DIMM connectors 17
- disabling LAN over USB interface 56
- DMI/SMBIOS data, updating
 - locally: keyboard controller style 37
 - locally: LAN over USB 38
 - remotely over a LAN 39
- documentation
 - using 774
- Documentation Browser
 - requirements 3
 - using 3
- documentation CD 3
- documentation, related 2

- drive
 - option, SAS 740
 - option, SATA 740
- DSA
 - messages 667
 - DSA 667
 - microprocessor test 668
 - running 71
 - text messages 71
 - viewing test results 72
- DSA diagnostics
 - overview 70
- DSA log 179
- DSA, sending data 774
- Dynamic system analysis diagnostics
 - See DSA

E

- electrical equipment, servicing vii
- electronic emission Class A notice 780
- Electronic Service Agent (ESA) 697
- enabling
 - Features on Demand RAID software 40
- error codes 179
 - IMM 179
 - IMM2 179
 - UEFI diagnostic codes 647
- errors
 - 201-811-xxx 669
 - 201-812-xxx 669
 - 201-815-xxx 669
 - 201-818-xxx 669
 - 201-819-xxx 669
 - 201-877-xxx 669
 - 201-878-xxx 669
 - 201-885-xxx 669
 - 201-886-xxx 669
 - 201-894-xxx 669
 - 201-899-xxx 669
 - 201-901-xxx 669
 - 210-000-000 669
 - 215-000-xxx 669
 - 215-801-xxx 669
 - 215-802-xxx 669
 - 215-803-xxx 669
 - 215-901-xxx 669
 - 215-902-xxx 669
 - 215-903-xxx 669
 - 215-904-xxx 669
 - Ethernet device error codes 669
 - hard disk drive self tests
 - 217-000-000 669
 - 217-800-xxx 669
 - 217-900-xxx 669
 - memory self tests 669
 - optical drive self tests 669
- Ethernet controller 7
- Ethernet device error codes
 - 405-002-xxx 669

Ethernet device error codes (*continued*)
405-003-xxx 669
405-903-xxx 669
405-904-xxx 669
European Union EMC Directive
conformance statement 781
event log
IMM2 68
viewing without restarting compute
node 69
event logs 179

F

fabric connector
installing 729
location 17
removing 728
fault LED 11
FCC Class A notice 780
features
ServerGuide 47
Features on Demand 41
Features on Demand, RAID software
enabling 40
features, compute node 7
field replaceable unit (FRU) 699
filler, node bay 702
finding the UEFI diagnostic code 648
firmware
recovering from update failure 27
updating 25
flash DIMM
installing 731
removing 730
Flex System x280 X6, x480 X6, and x880
X6 Compute Node Types 7903 and 4259
dimensions 5
specifications 5
weight 5
FlexNode partitioning 23
Force legacy video on boot, Setup
utility 29
front handle
installing 736
removing 735
FRUs, removing and replacing 758

G

gaseous contamination 779
Germany Class A statement 781
guidelines
installation 699
servicing electrical equipment vii
system reliability 700
trained service technicians vi

H

handle, front
installing 736
removing 735
hard disk drive
specifications 7
support 7

hard disk drive cage and backplane
assembly
installing 738
removing 737
hard disk drives
hot swap, installing 740
specifications 7
support 7
hardware and software
requirements 3
hardware service and support telephone
numbers 775
HDD backplane connector 17
heat sink
installing 762
removing 758
thermal grease 766
help
from the World Wide Web 774
from World Wide Web 774
sending diagnostic data 774
sources of 773
host compute node startup sequence,
changing 51
hot-swap hard disk device
SAS hard disk drive 740
SATA hard disk drive 740
hot-swap hard disk drive
installing 740
removing 740
hot-swap hard disk drive cage and
backplane assembly
removing 737

I

I/O expansion adapter
installing 742
removing 741
I/O expansion connectors 17
identify LED 11
IMM2
accessing 55
action descriptions 51
clearing the system event log 29
IP addresses, LAN over USB 55
MAC address and hostname 49
network access tag 49
reset to defaults 29
self-test error codes 669
Setup utility 29
system event log, viewing through
Setup utility 68
using 49
viewing from Setup utility 68
viewing the system event log 29
IMM2 self test error codes
166-901-xxx 669
166-902-xxx 669
166-903-xxx 669
166-904-xxx 669
166-905-xxx 669
166-906-xxx 669
166-907-xxx 669
166-908-xxx 669
166-909-xxx 669
166-910-xxx 669

IMM2 self test error codes (*continued*)
166-911-xxx 669
166-912-xxx 669
IMM2, partitioning a multi-node
complex 25
Important notice, meaning 4
important notices 778
independent partitions mode 22
information center 774
inspecting for unsafe conditions vi
installation guidelines 699
installing
1.8-inch drive 751
bezel 708
compute node 702
hot-swap hard disk drives 740
optional devices 699
SAS hard disk drive 740
SATA hard disk drive 740
installing an optional device 699
integrated management module
See IMM2
IP addresses, LAN over USB 55

J

Japan Class A electronic emission
statement 782
Japan Electronics and Information
Technology Industries Association
statement 782
JEITA statement 782
jumpers, system board 18

K

KCS address, IMM2 55
keyboard controller style address,
IMM2 55
Korea Class A electronic emission
statement 783

L

LAN over USB
configuring manually 56
conflicts 56
disabling interface 56
IP addresses 55
Linux driver installation 58
resolving conflicts 56
Windows driver installation 57
LEDs
activity 11
check log 11
CMOS battery error 19
DIMMs 19
fault 11
I/O expansion adapter 19
identify 11
microprocessor 19
power 11
SAS backplane 19
system board 19
viewing 65
legacy support, Setup utility 29

- legacy Thunk support, Setup utility 29
- light path diagnostics 65
- light path diagnostics panel 19
 - installing 744
 - removing 743
- light path diagnostics, viewing 65
- Linux driver, LAN over USB 58
- load-sharing
 - power throttling 7
- Logic Configuration Utility, LSI 41
- LSI Logic Configuration Utility program 41

M

- MAC address 49
- MAC address label 49
- major components
 - system board 10
- memory
 - specifications 5
- memory mirroring 719
- memory module
 - installing 719
 - removing 717
 - specifications 7
- memory, Setup utility 29
- messages
 - IMM 179
 - microprocessor test, DSA 668
 - UEFI diagnostic codes 647
- microprocessor
 - installing 762
 - removing 758
 - specifications 5
 - thermal grease 766
- microprocessor connector 17
- microprocessor test error codes 668
- minimum configuration 696
- multi-node complex
 - partitioning 25
- multiple partitions mode 22

N

- network access tag 49
- network configuration, Setup utility 29
- network, Setup utility 29
- New Zealand Class A statement 781
- node bay filler 702
- NOS installation
 - without ServerGuide 48
- notes, important 778
- notices 777
 - electronic emission 780
 - FCC, Class A 780
- nx boot failure 35

O

- operating modes, Setup utility 29
- operating system
 - installing 45, 46
- operating system installation
 - with ServerGuide 47
- optional devices, installing 699

P

- particulate contamination 779
- partitioning a multi-node complex 25
- parts listing 59
- People's Republic of China Class A
 - electronic emission statement 783
- POST
 - event viewer 29
- POST event log 179
- POST watchdog timer, Setup utility 29
- power
 - throttling 7
- power button 11
- power LED 11
- power, Setup utility 29
- problems
 - undetermined 696
- processors, Setup utility 29
- product service, Taiwan 775
- publications, related 2
- PXE Boot Agent 51
- PXE boot protocol, setting 35

R

- RAID array, type supported 751
- RAID software
 - Features on Demand 40
- reboot system on NMI, Setup utility 29
- redundant array of independent disks (RAID) 751
 - SAS array 740
- rehook INT, Setup utility 29
- related documentation 2
- reliability
 - features 10
 - RAS features 10
- removing
 - 1.8-inch drive 750
 - bezel 707
 - compute node 701
 - front handle 735
 - hot-swap hard disk drive 740
 - solid state drive 750
- removing and replacing compute node
 - components 699
- removing and replacing CRUs 704
- removing and replacing FRUs 758
- replacing
 - thermal grease 766
- requirements
 - hardware 3
 - hardware and software 3
 - software 3
- returning a device or component 700
- RFID tag 1
- Russia Class A electronic emission statement 783

S

- safety v
- safety statements v, viii
- SAS array, type supported 740
- SAS hard disk drive
 - hot-swap hard disk device 740

- SAS hard disk drive (*continued*)
 - installing 740
- SAS ID address 49
- SATA hard disk drive
 - hot-swap hard disk device 740
 - installing 740
- scalable partitions
 - considerations 22
 - FlexNode partitioning 23
 - implementation modes 22
 - single partition considerations 23
 - single partition mode
 - considerations 23
- SCSI 740
- sending diagnostic data 774
- Serial Attached SCSI (SAS)
 - hot-swap hard disk drive
 - installing 740
 - removing 740
- ServerGuide
 - features 47
 - using to install operating system 47
- ServerGuide CD 7
- service and support
 - before you call 773
 - hardware 775
 - software 775
- Service and Support Manager 697
- service bulletins 65
- servicing electrical equipment vii
- setting the PXE boot protocol 35
- setting up the LAN-on-motherboard (LOM) feature 42
- Setup utility 48
 - menu 29
 - overview 29
- single partition mode 22
- SMBIOS data, updating
 - locally: keyboard controller style 37
 - locally: LAN over USB 38
 - remotely over a LAN 39
- SMP expansion connector
 - installing 747
 - removing 745
- software service and support telephone numbers 775
- solid state drive
 - installing 751
 - removing 750
- solid state drive cage and backplane
 - installing 753
 - removing 752
- specifications
 - Flex System x280 X6, x480 X6, and x880 X6 Compute Node Types 7903 and 4259 5
- SSD
 - See also* solid state drive
 - installing 751
- SSD mounting sleeve
 - installing 755
 - removing 755
- stand-alone mode 22
- start options, Setup utility 29
- starting the compute node 15
- startup sequence, changing 51
- static electricity 700

- static-sensitive devices, handling 700
- stopping the compute node 16
- support web page, custom 775
- switches, system board 19
- system board
 - connectors 17
 - jumpers 18
 - layouts 17
 - LEDs 19
 - switches 19
- system event log 179
- system event logs, Setup utility 29
- system information, Setup utility 29
- system reliability guidelines 700
- system security, Setup utility 29
- system settings, Setup utility 29
- system summary, Setup utility 29
- system-board assembly
 - components 10
- system-board components
 - installing 769
 - removing 767
- systems management
 - chassis management module 7
 - Flex System Manager management software 7

T

- Taiwan Class A electronic emission statement 783
- Taiwan product service 775
- telecommunication regulatory statement 780
- telephone numbers 775
- thermal grease, replacing 766
- Tier 1 CRU 699
- Tier 1 CRUs, removing and replacing 704
- TPM
 - Setup utility 29
- trademarks 778
- trained service technicians, guidelines vi
- troubleshooting 65
 - service bulletins 65
- troubleshooting tables 669
- trusted platform module, Setup utility 29
- turning off the compute node 16
- turning on the compute node 15

U

- UEFI diagnostic codes 647
- UEFI drivers, Setup utility 29
- UEFI firmware
 - recovering from update failure 27
 - updating 25
 - updating using Flex System Manager Chassis Manager 25
 - updating using ToolsCenter Bootable Media Creator 25
 - updating using UpdateXpress 25
- undetermined problems 696
- United States FCC Class A notice 780
- unsafe conditions, inspecting for vi

- updating
 - configuration 701
 - device drivers 25
 - firmware 25
- USB flash drive
 - installing 757
 - removing 756
- user security, Setup utility 29

V

- viewing DSA test results 72
- Virtual Light Path 51

W

- Web interface
 - logging on to 50
- weight, Flex System x280 X6, x480 X6, and x880 X6 Compute Node Types 7903 and 4259 5
- Windows driver, LAN over USB 57

lenovo®

Part Number: 00WA623

Printed in USA

(1P) P/N: 00WA623

